



US00D765015S

(12) **United States Design Patent**
Baer et al.

(10) **Patent No.:** **US D765,015 S**

(45) **Date of Patent:** **** Aug. 30, 2016**

- (54) **TRUCK BED BARRIER**
- (71) Applicant: **R&R INNOVATIONS, INC.**, Eureka, IL (US)
- (72) Inventors: **William Baer**, Simi Valley, CA (US);
Russell Harris, Eureka, IL (US);
Ronald Hoyle, Dunlap, IL (US)
- (**) Term: **14 Years**
- (21) Appl. No.: **29/495,989**
- (22) Filed: **Jul. 8, 2014**
- (51) **LOC (10) Cl.** **12-99**
- (52) **U.S. Cl.**
USPC **D12/414.1**
- (58) **Field of Classification Search**
USPC D12/414.1, 414, 413, 412, 221, 406,
D12/157, 423, 414.4; D6/552, 317-319,
D6/513-514; D3/304-306; D32/35, 58
CPC B60R 9/065; B60R 7/02; Y10S 224/925
See application file for complete search history.

(56) **References Cited**

U.S. PATENT DOCUMENTS

- D238,973 S * 2/1976 Miller D12/414.1
- D289,516 S 4/1987 Watts
- D300,734 S * 4/1989 Kruitbosch D12/414
- D399,468 S 10/1998 Lund et al.
- D411,164 S * 6/1999 Harris D12/414.1

- 6,626,624 B1 * 9/2003 Kopperud B60P 7/14
410/118
- 8,267,466 B1 * 9/2012 Smith, Jr. B62D 33/02
296/184.1
- 8,740,277 B1 * 6/2014 Al-Qahtani B62D 33/0207
296/3
- D720,281 S * 12/2014 Grant D12/414.1
- 8,991,894 B2 * 3/2015 Smith B62D 33/10
296/100.09
- 2002/0187016 A1 * 12/2002 Kopperud B60P 7/14
410/129
- 2003/0021648 A1 * 1/2003 Herring B60P 7/0815
410/106
- 2016/0002924 A1 * 1/2016 Svensson E04C 3/06
52/852

* cited by examiner

Primary Examiner — Katrina A Betton

(57) **CLAIM**

The ornamental design for a truck bed barrier, as shown and described.

DESCRIPTION

FIG. 1 is top perspective view of the truck bed barrier of my design.

FIG. 2 is a front view thereof.

FIG. 3 is a rear view thereof.

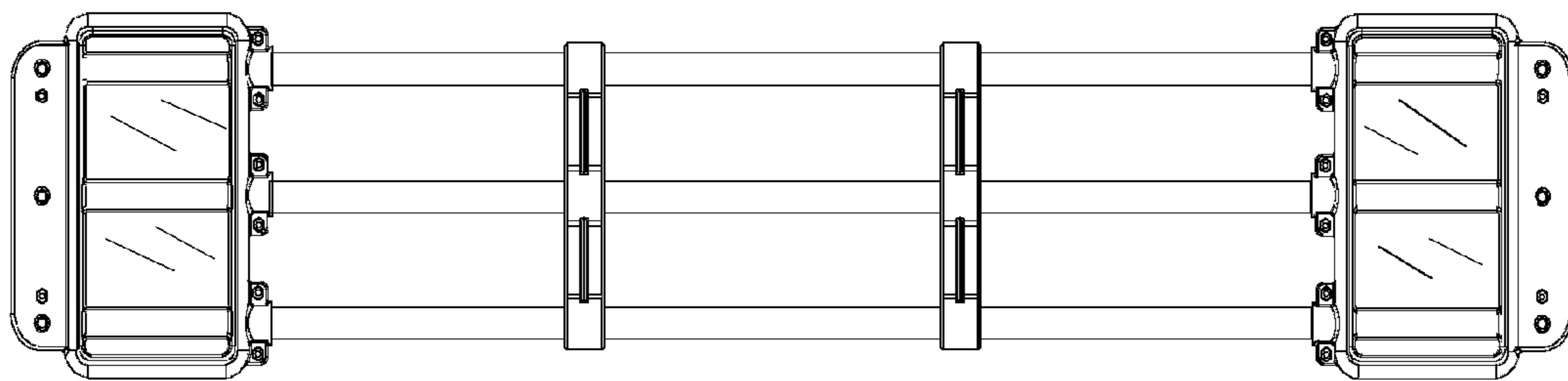
FIG. 4 is a top view thereof.

FIG. 5 is a bottom view thereof.

FIG. 6 is a right side view thereof; and,

FIG. 7 is a left side view thereof.

1 Claim, 3 Drawing Sheets



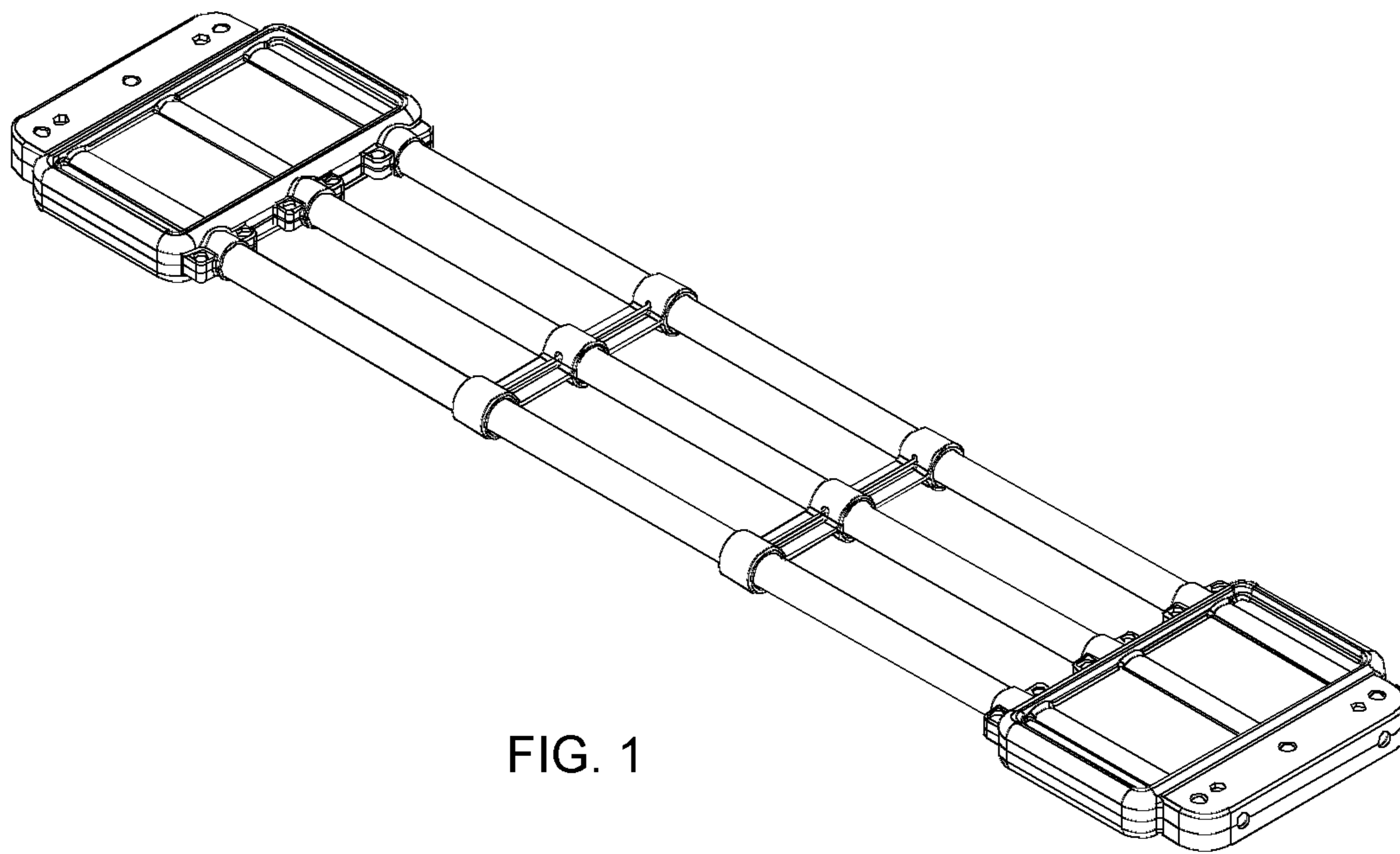


FIG. 1

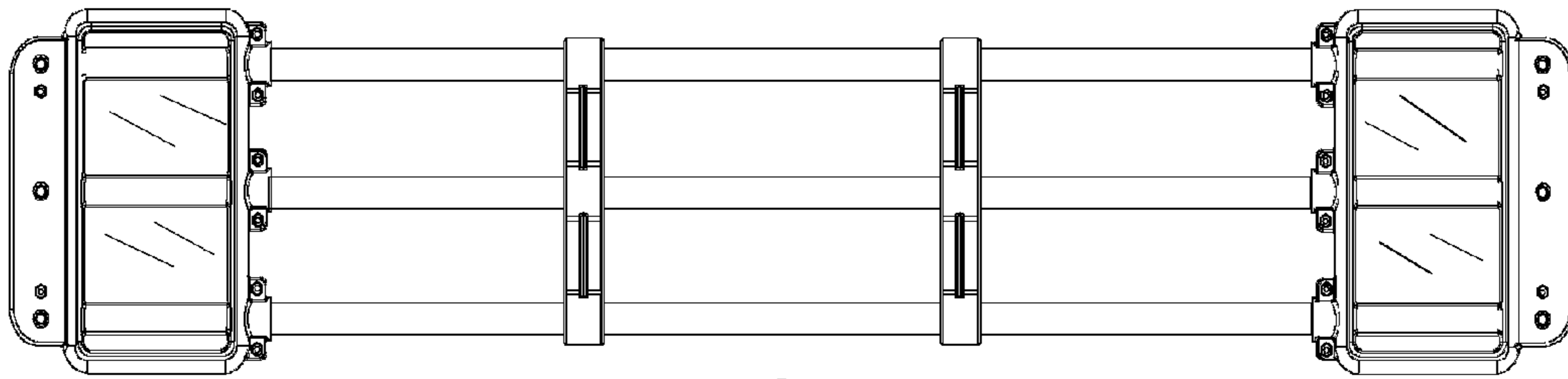


FIG. 2

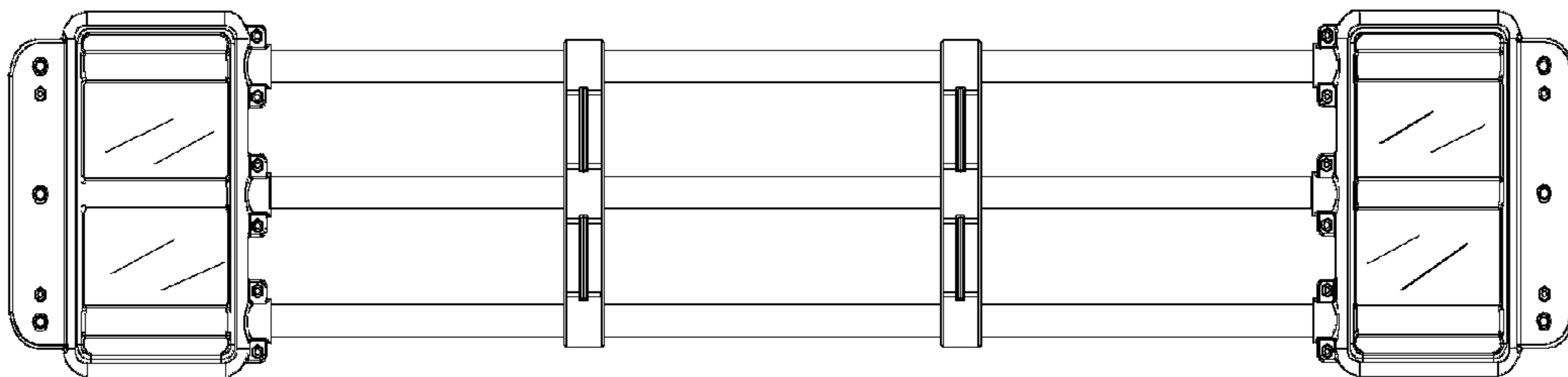


FIG. 3

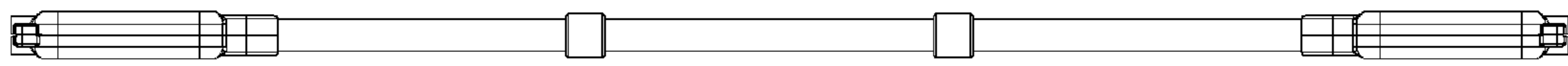


FIG. 4

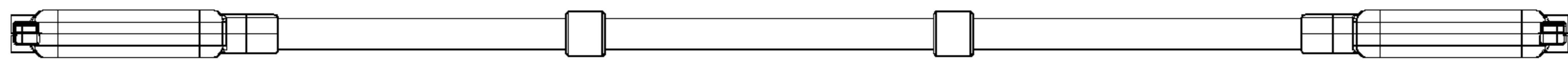


FIG. 5



FIG. 6

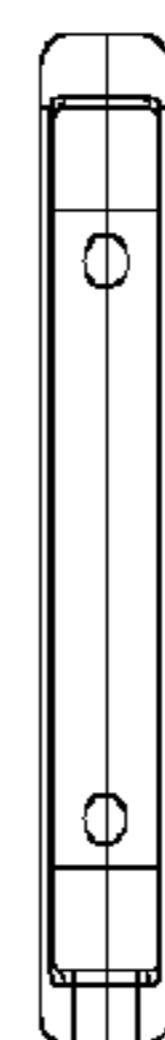


FIG. 7