



US00D765013S

(12) **United States Design Patent** (10) **Patent No.:** **US D765,013 S**
Hindelang et al. (45) **Date of Patent:** **** Aug. 30, 2016**

(54) **DUAL DOOR TRUCK CAP**

(71) Applicants: **Albert Hindelang**, Ontario, CA (US);
Robert Edwards, Fountin Valley, CA (US)

(72) Inventors: **Albert Hindelang**, Ontario, CA (US);
Robert Edwards, Fountin Valley, CA (US)

(73) Assignee: **CUSTOM FIBREGLASS MANUFACTURING CO.**, Long Beach, CA (US)

(**) Term: **14 Years**

(21) Appl. No.: **29/509,251**

(22) Filed: **Nov. 14, 2014**

(51) **LOC (10) Cl.** **12-16**

(52) **U.S. Cl.**
USPC **D12/401**

(58) **Field of Classification Search**
USPC D12/401-405
CPC B60J 11/08; B60J 11/06; A47C 31/10
See application file for complete search history.

(56) **References Cited**

U.S. PATENT DOCUMENTS

D244,182 S	5/1977	Skidmore et al.
D254,905 S	5/1980	Collins
D267,793 S	2/1983	Skidmore
D271,757 S	12/1983	Miller
D281,488 S	11/1985	Collins
D290,945 S	7/1987	Geisler
D293,094 S	12/1987	Brown
D298,818 S	12/1988	Silliker
D299,223 S	1/1989	Galvin

(Continued)

Primary Examiner — Katrina A Betton

(74) *Attorney, Agent, or Firm* — Fulwider Patton LLP

(57) **CLAIM**

The ornamental design for a dual door truck cap, as shown and described.

DESCRIPTION

FIG. 1 is a perspective view of a first embodiment of the subject invention;

FIG. 2 is rear view of the embodiment shown in FIG. 1;

FIG. 3 is an internal rear view of the embodiment shown in FIG. 1;

FIG. 4 is a side view of the embodiment shown in FIG. 1;

FIG. 5 is a top view of the embodiment shown in FIG. 1;

FIG. 6 is an internal view of the top of the embodiment shown in FIG. 1;

FIG. 7 is a perspective view of a second embodiment of the subject invention;

FIG. 8 is a rear view of the embodiment shown in FIG. 7;

FIG. 9 is an internal rear view of the embodiment shown in FIG. 7;

FIG. 10 is a side view of the embodiment shown in FIG. 7;

FIG. 11 is a top view of the embodiment shown in FIG. 7;

FIG. 12 is an internal view of the top of the embodiment shown in FIG. 7;

FIG. 13 is a peripheral view of a third embodiment of the subject invention;

FIG. 14 is a rear view of the embodiment shown in FIG. 13;

FIG. 15 is an internal rear view of the embodiment shown in FIG. 13;

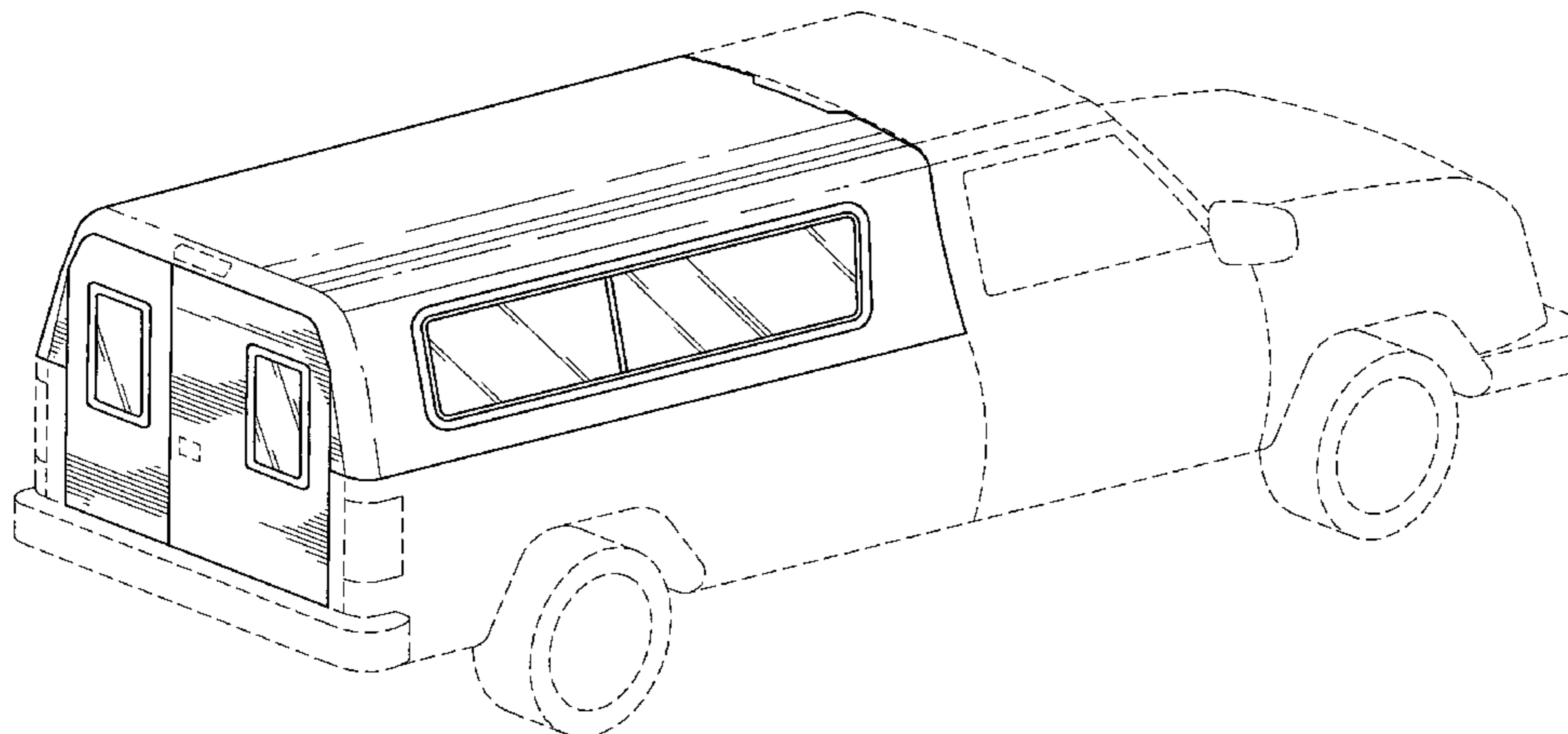
FIG. 16 is a side view of the embodiment shown in FIG. 13;

FIG. 17 is a top view of the embodiment shown in FIG. 13; and,

FIG. 18 is an internal view of the top of the embodiment shown in FIG. 13.

In the drawings, the broken lines in depict portions of the article that form no part of the claimed design.

1 Claim, 15 Drawing Sheets



(56)

References Cited

U.S. PATENT DOCUMENTS

D317,889 S 7/1991 Gentzorn
D324,015 S 2/1992 Quiniones
D324,025 S 2/1992 Sueyoshi et al.
D325,366 S 4/1992 Mansberger
D325,551 S 4/1992 Quiniones
D326,441 S 5/1992 Rogers
D328,049 S 7/1992 Sturtevant
D328,062 S 7/1992 Burgess
D329,837 S 9/1992 Rogers
D332,934 S 2/1993 Brown et al.

D350,108 S * 8/1994 Blanchard D12/401
D379,173 S 5/1997 Quiniones
D381,953 S * 8/1997 Collins D12/401
D383,432 S 9/1997 Starr et al.
D387,029 S 12/1997 Heinemann
D388,049 S 12/1997 Reardon
D403,652 S 1/1999 Starr et al.
D407,062 S 3/1999 Patrovich
D421,736 S * 3/2000 Bogard D12/401
D431,224 S 9/2000 Schroeder
D431,225 S 9/2000 Perlman et al.
7,318,618 B1 * 1/2008 Yue B60J 7/1621
296/100.02

* cited by examiner

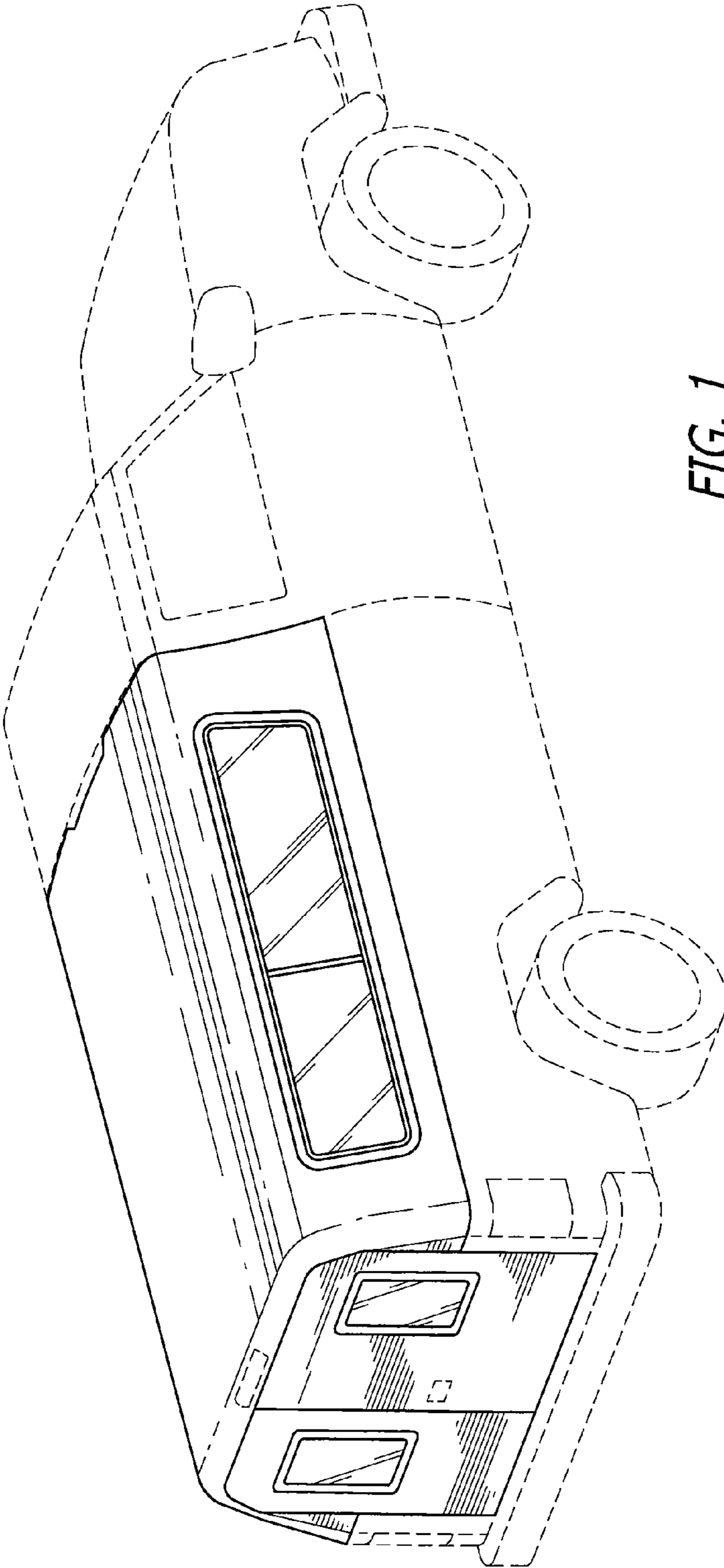


FIG. 1

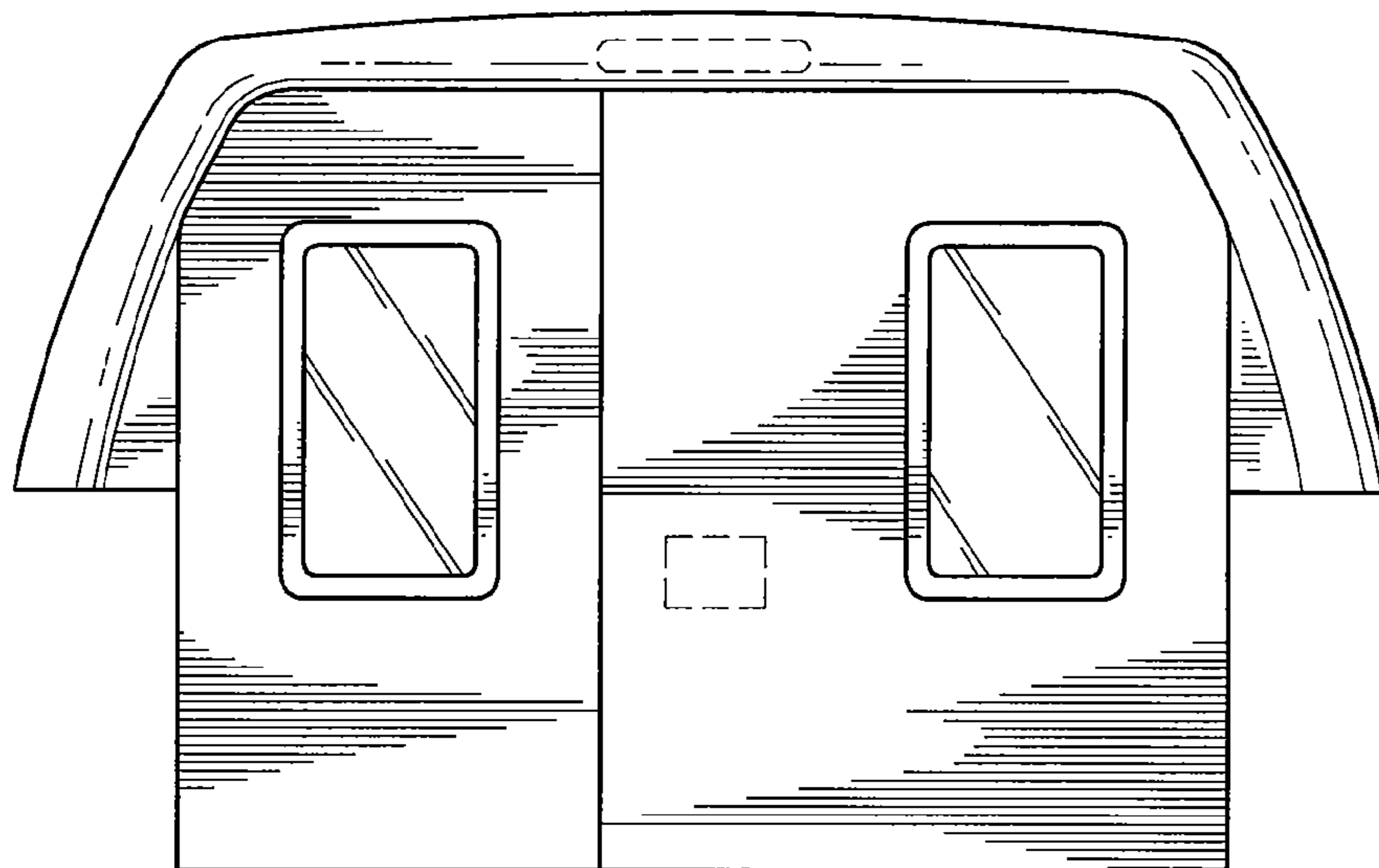


FIG. 2

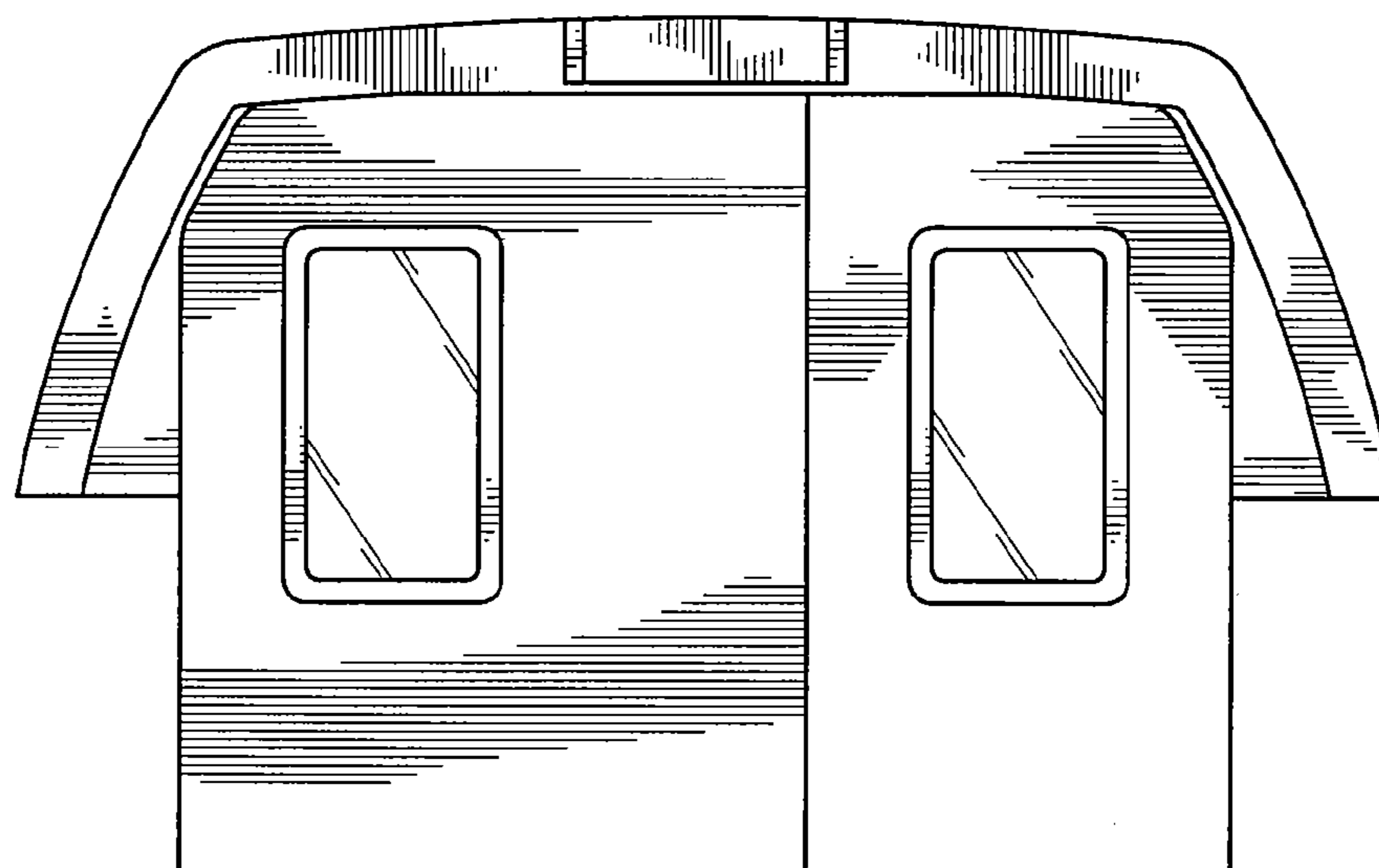
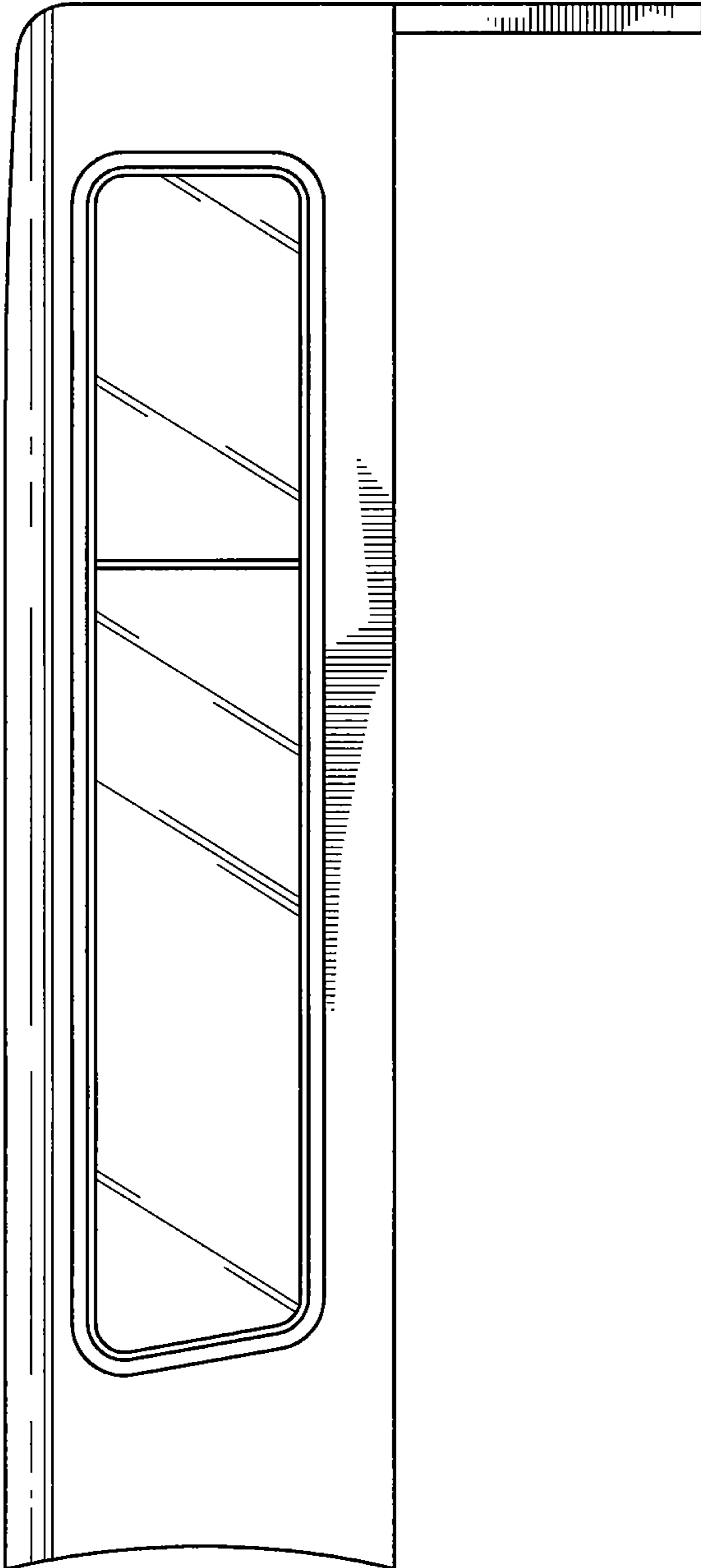


FIG. 3

FIG. 4



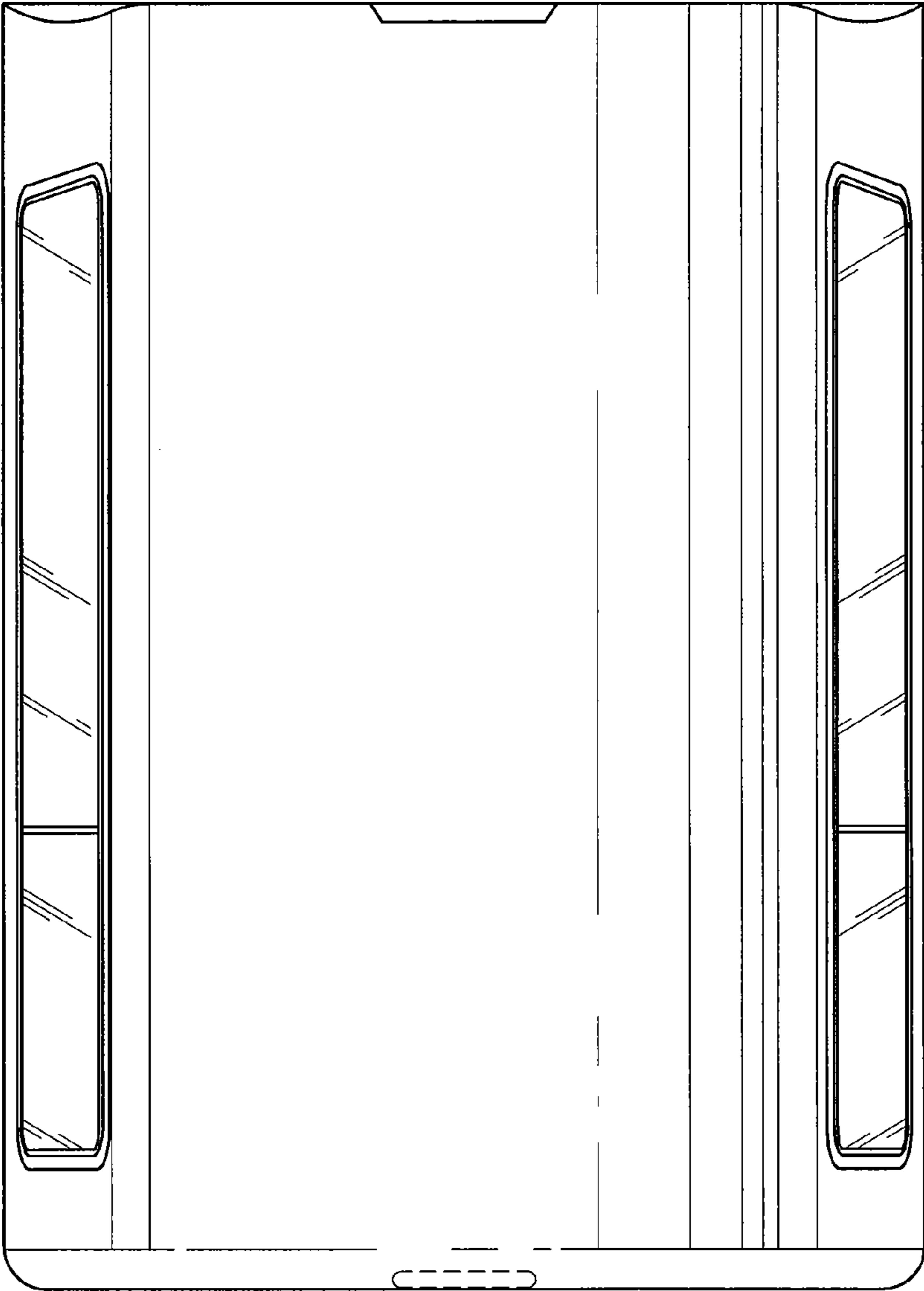


FIG. 5

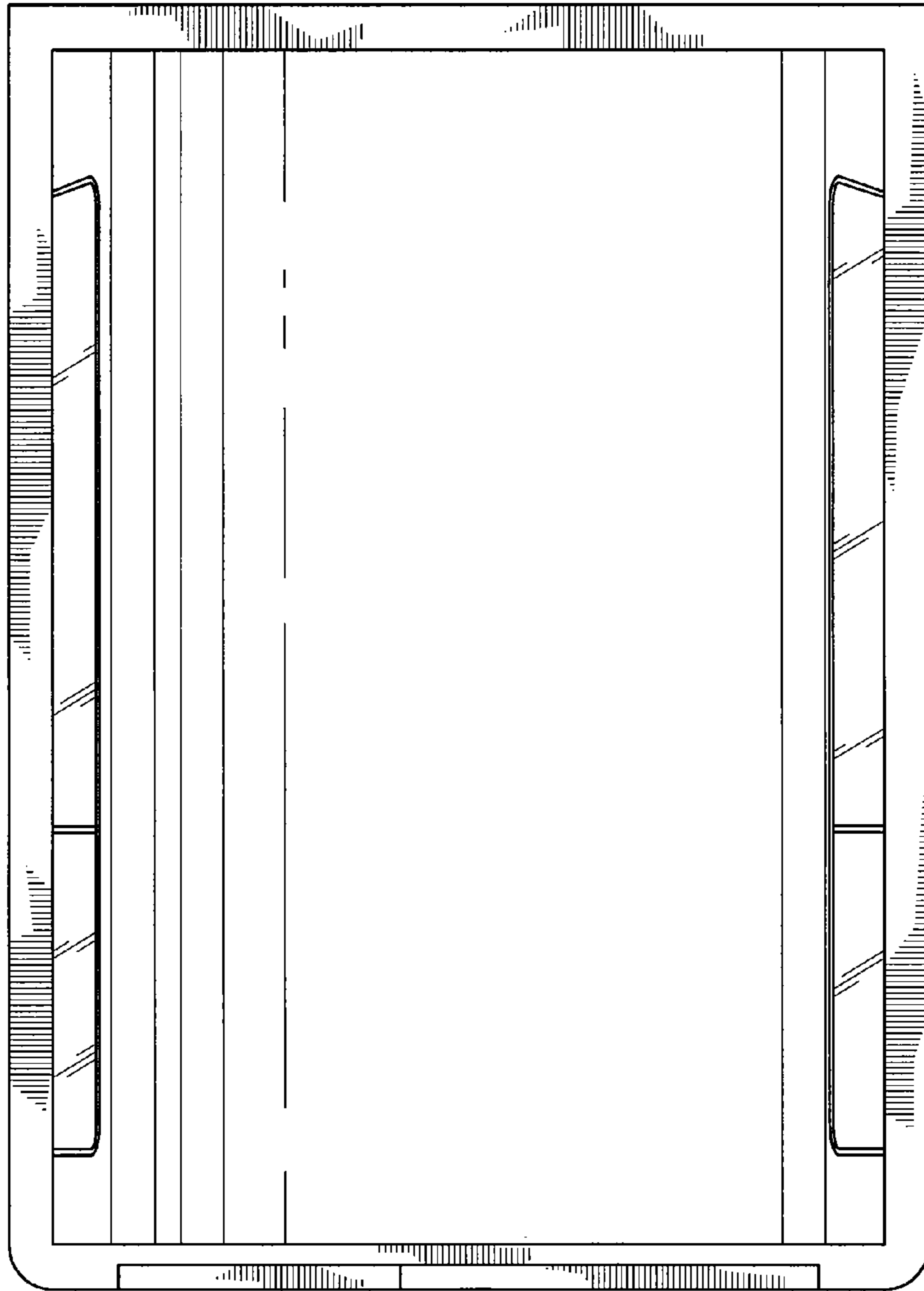


FIG. 6

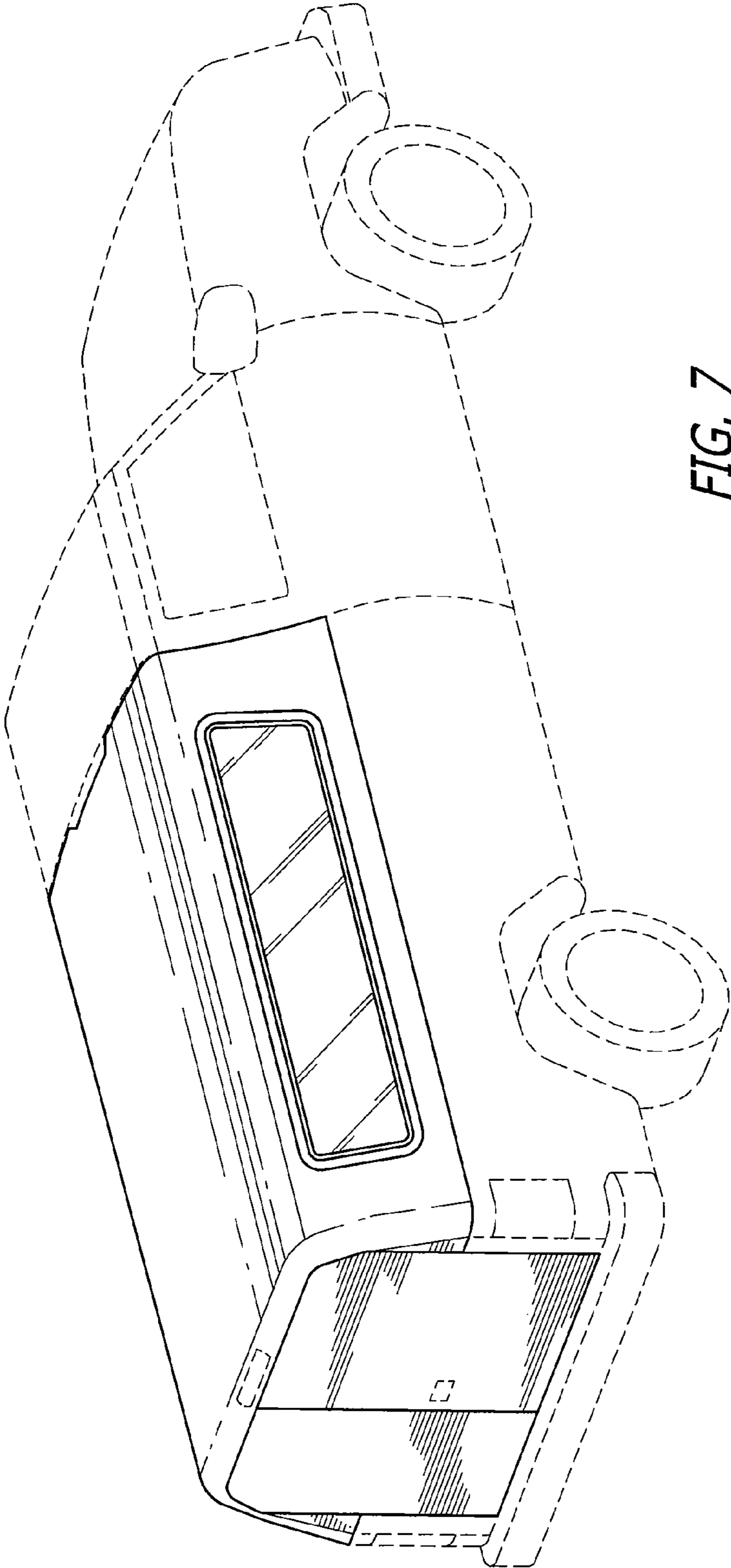


FIG. 7

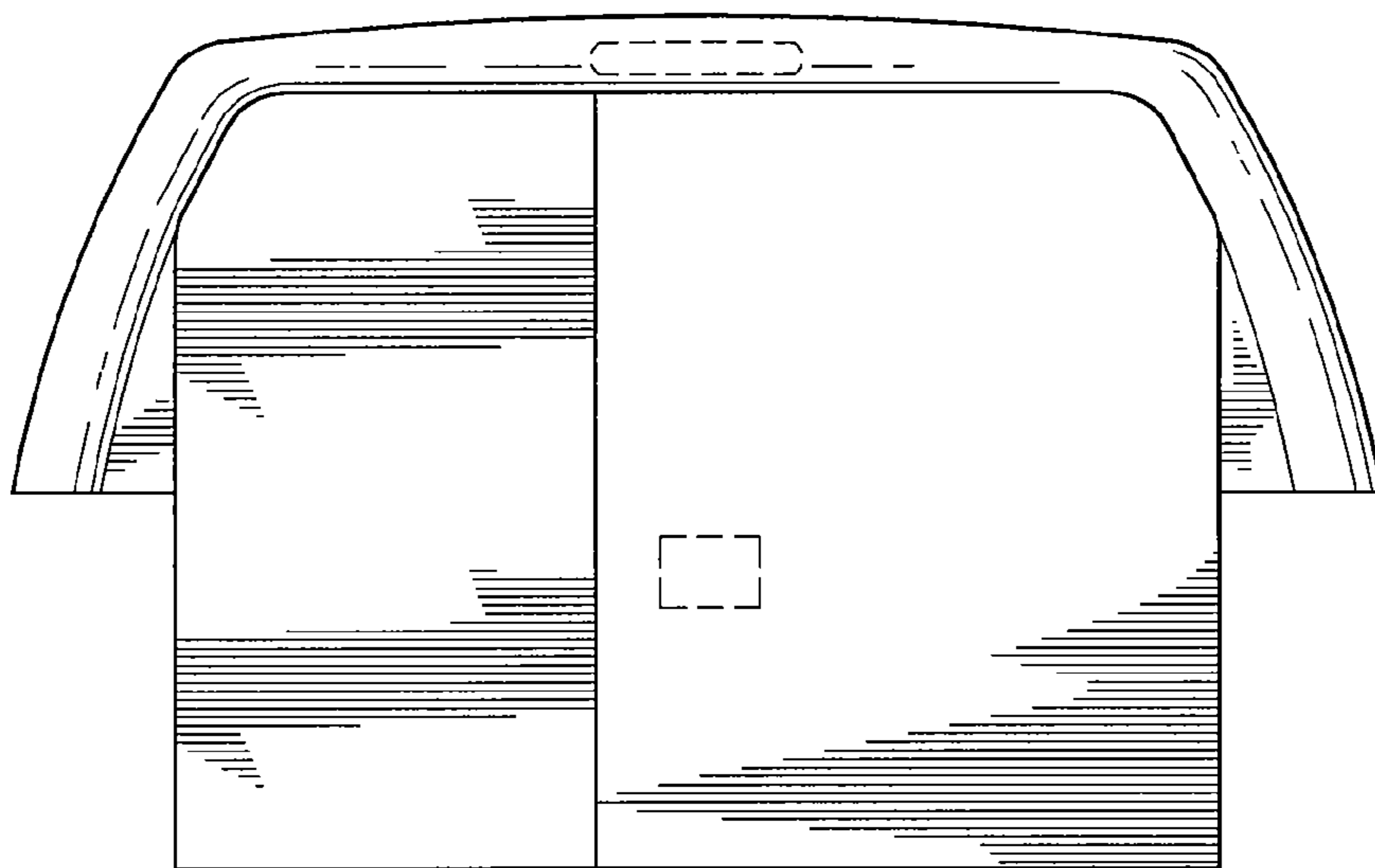


FIG. 8

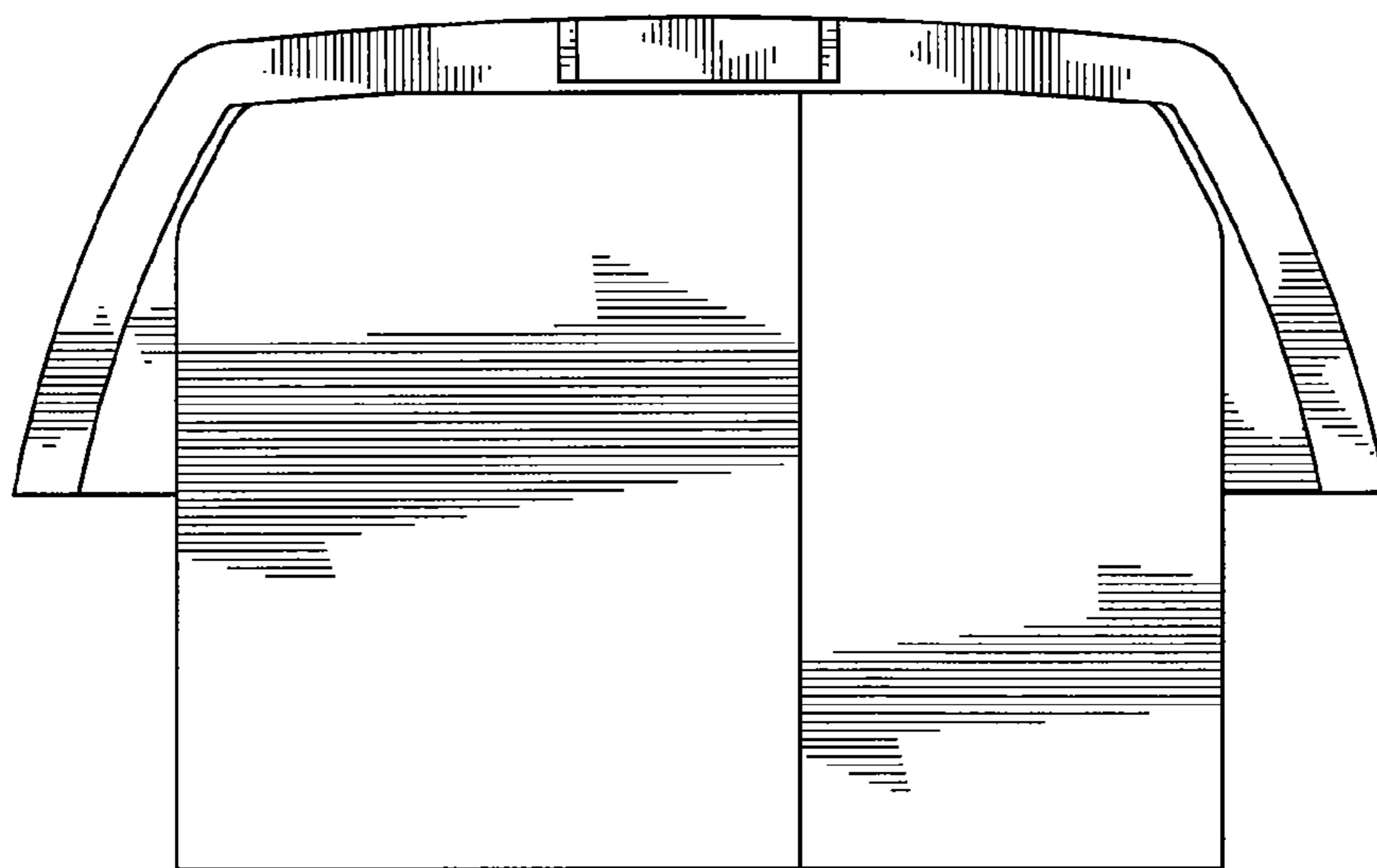


FIG. 9

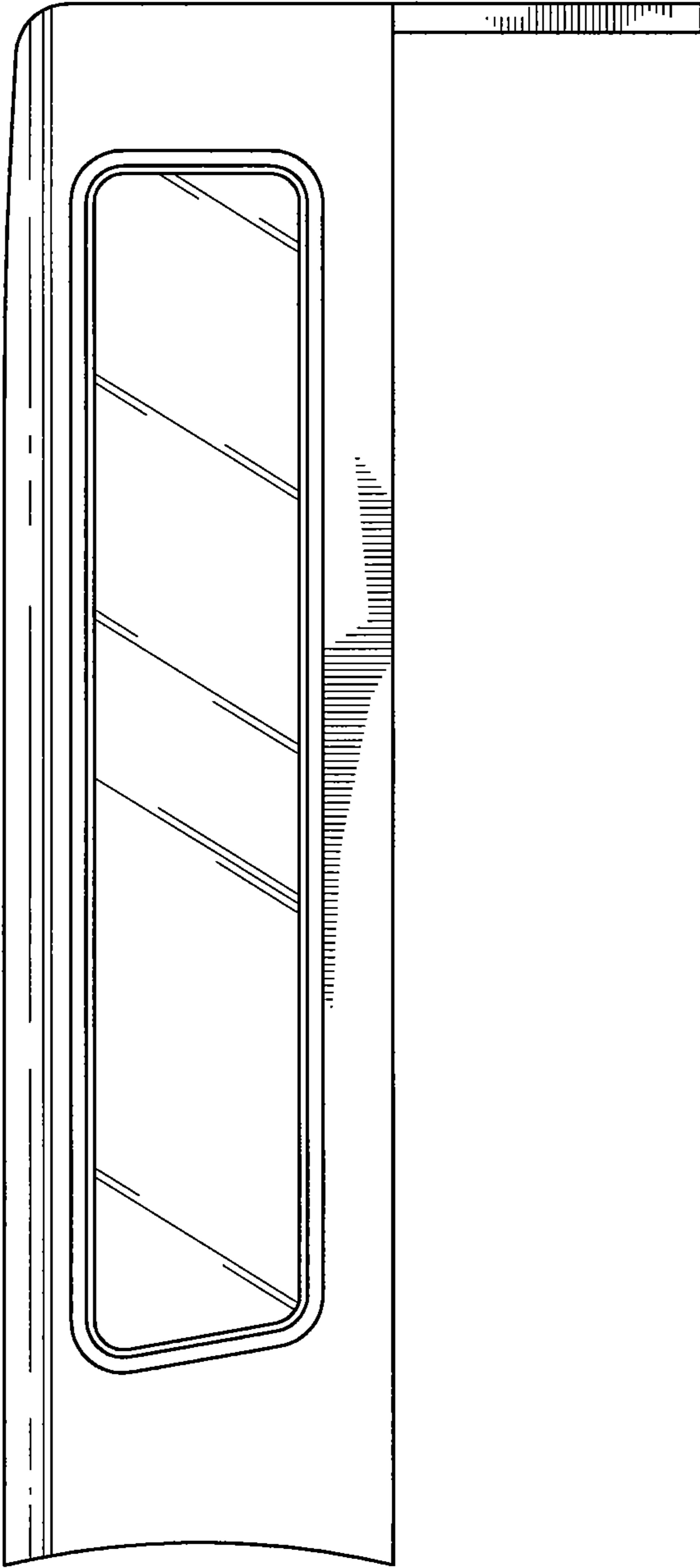


FIG. 10

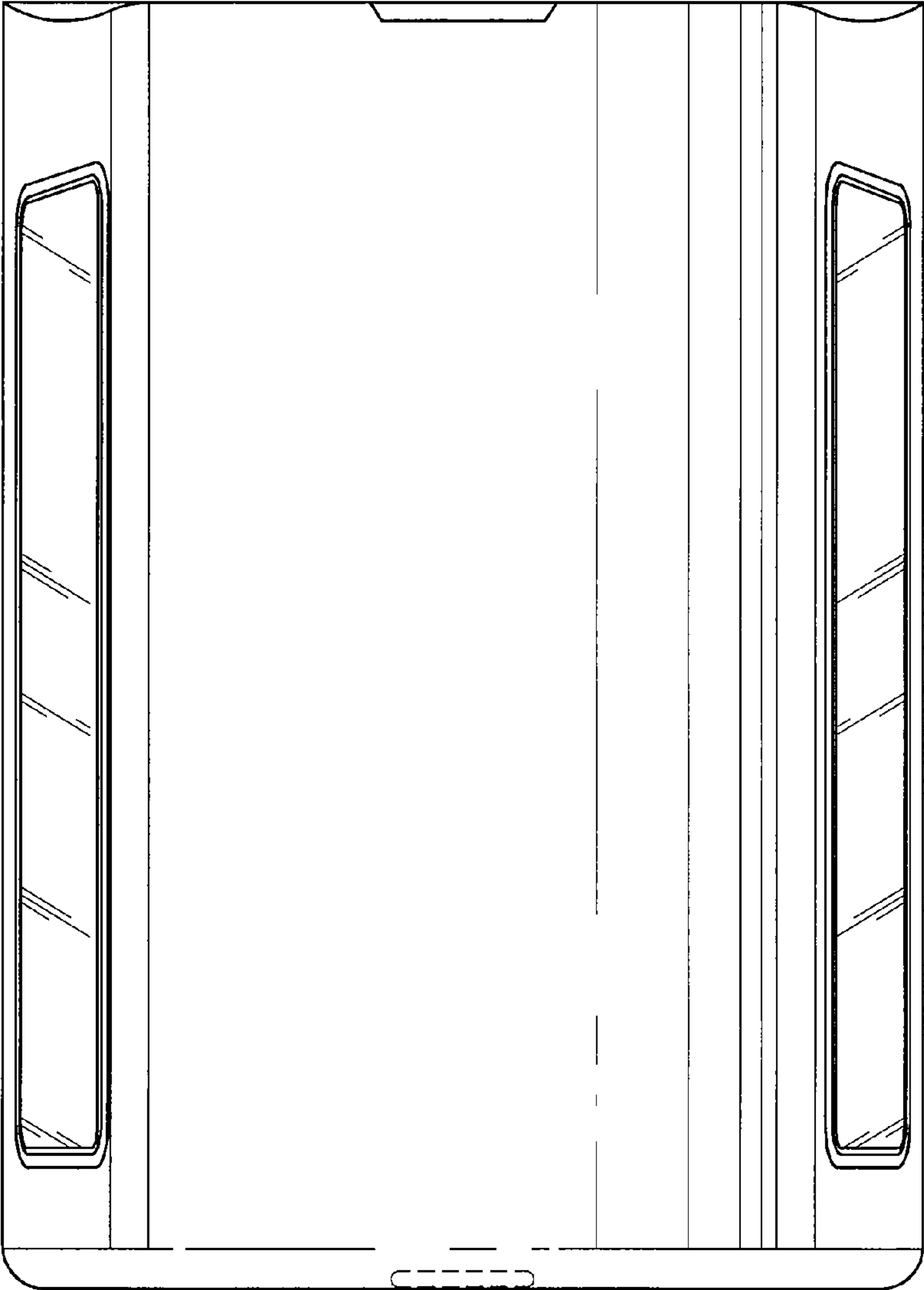


FIG. 11

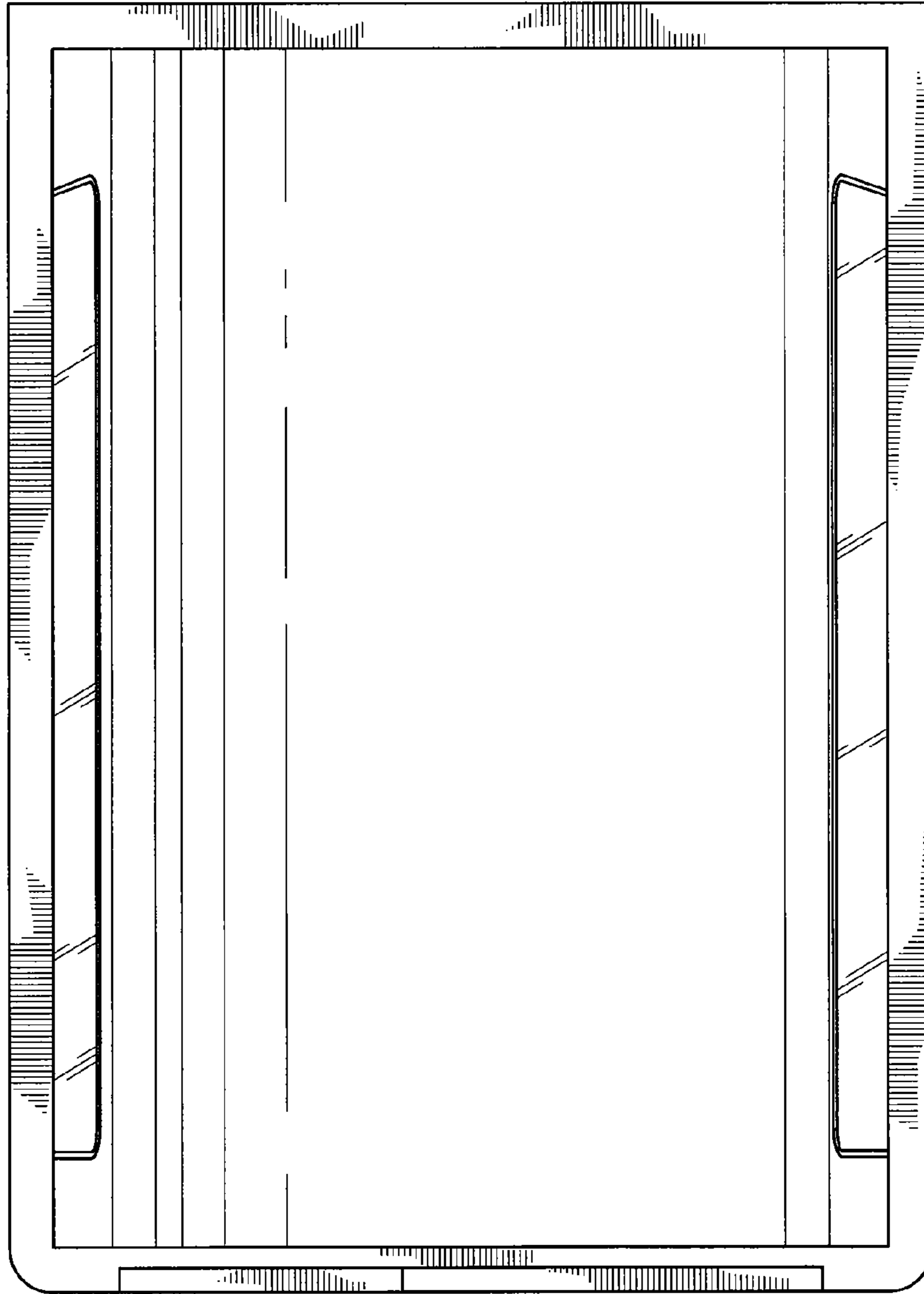


FIG. 12

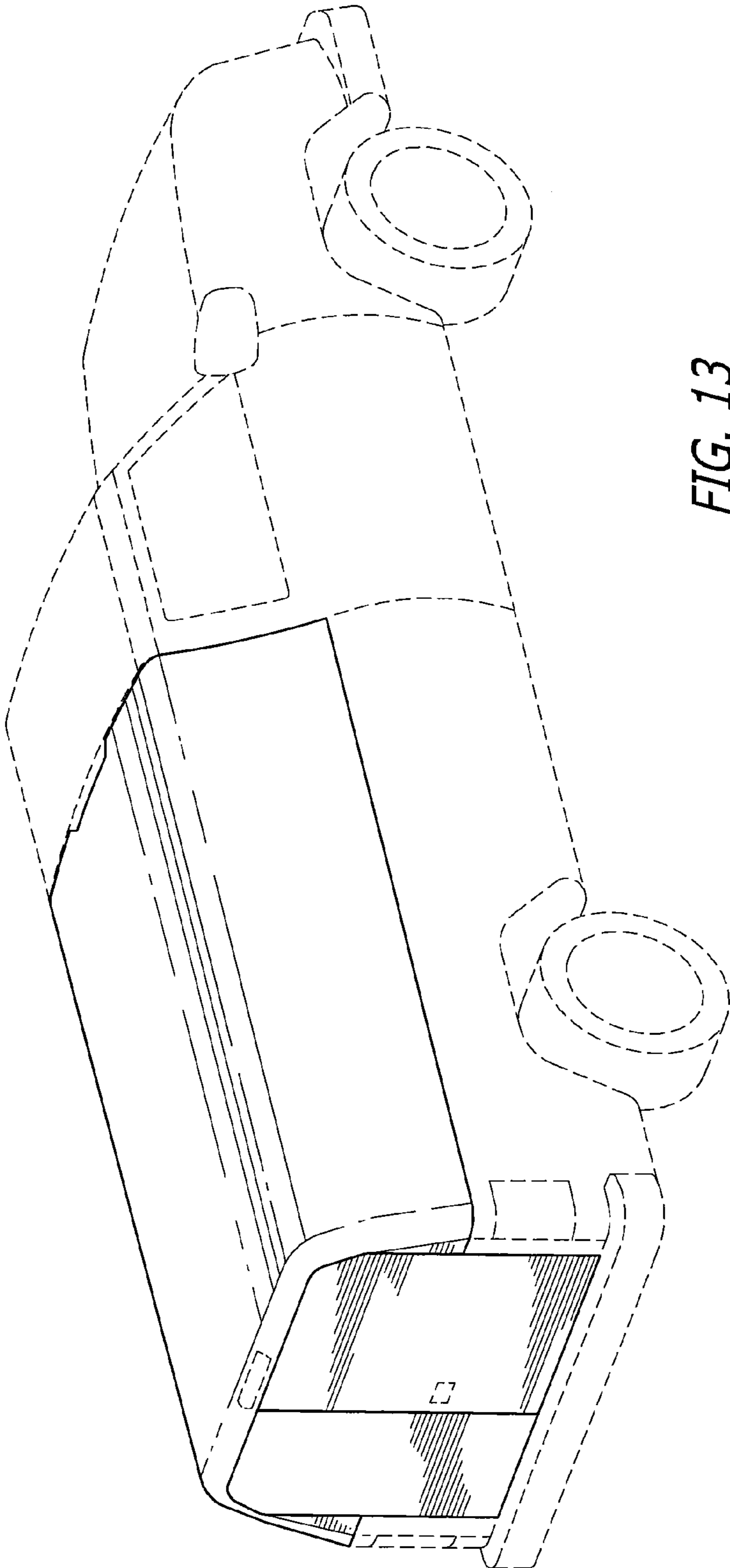


FIG. 13

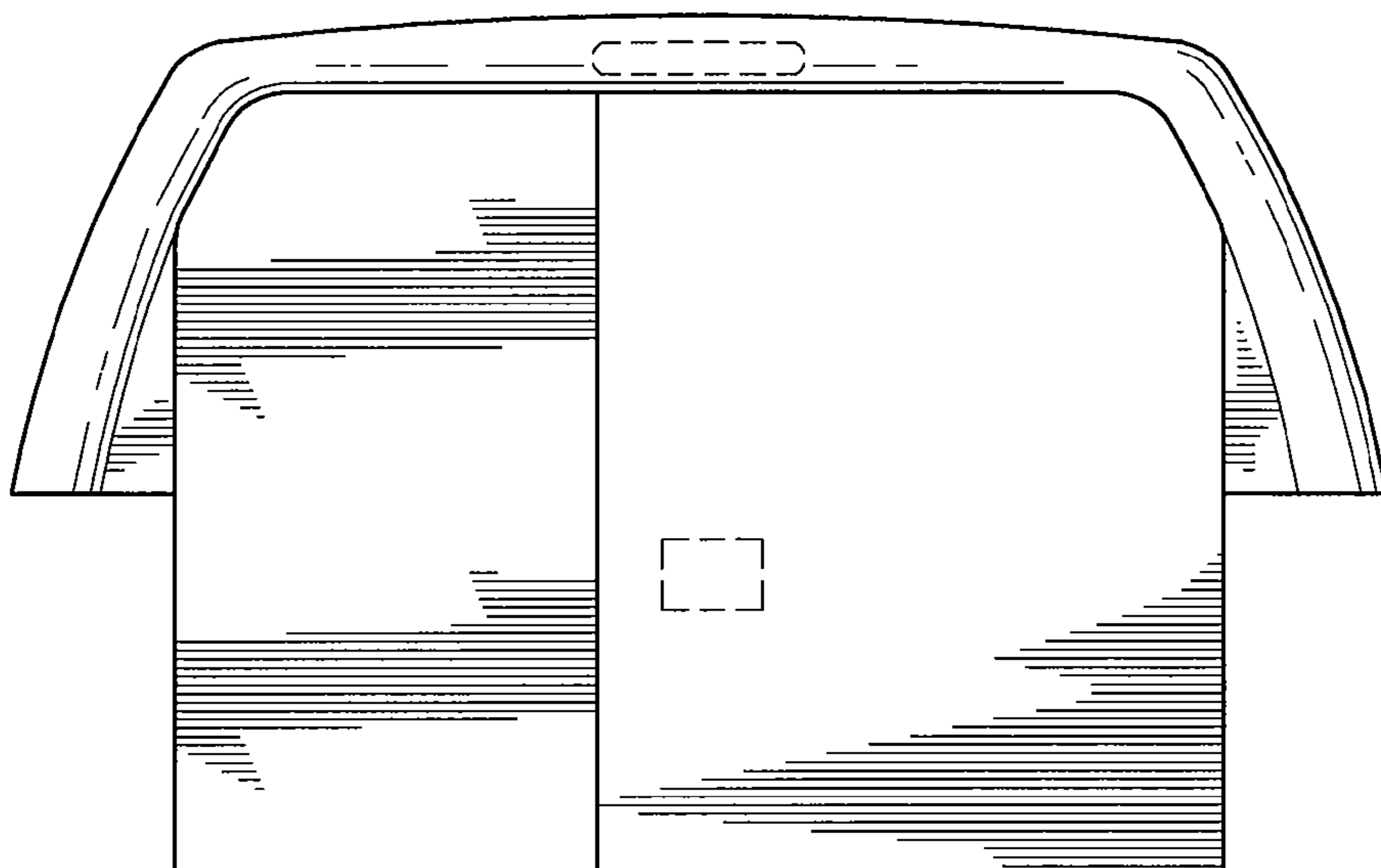


FIG. 14

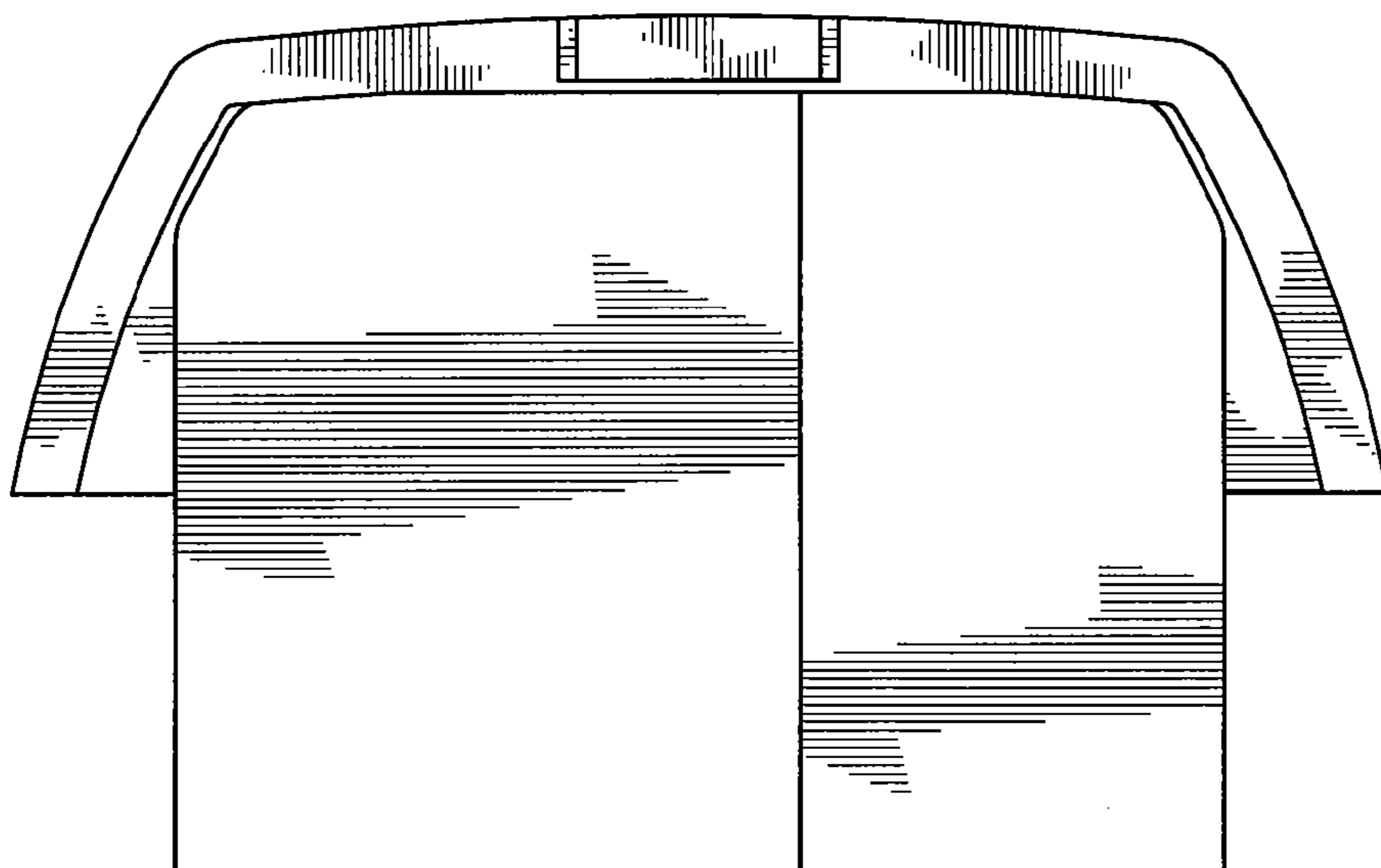


FIG. 15

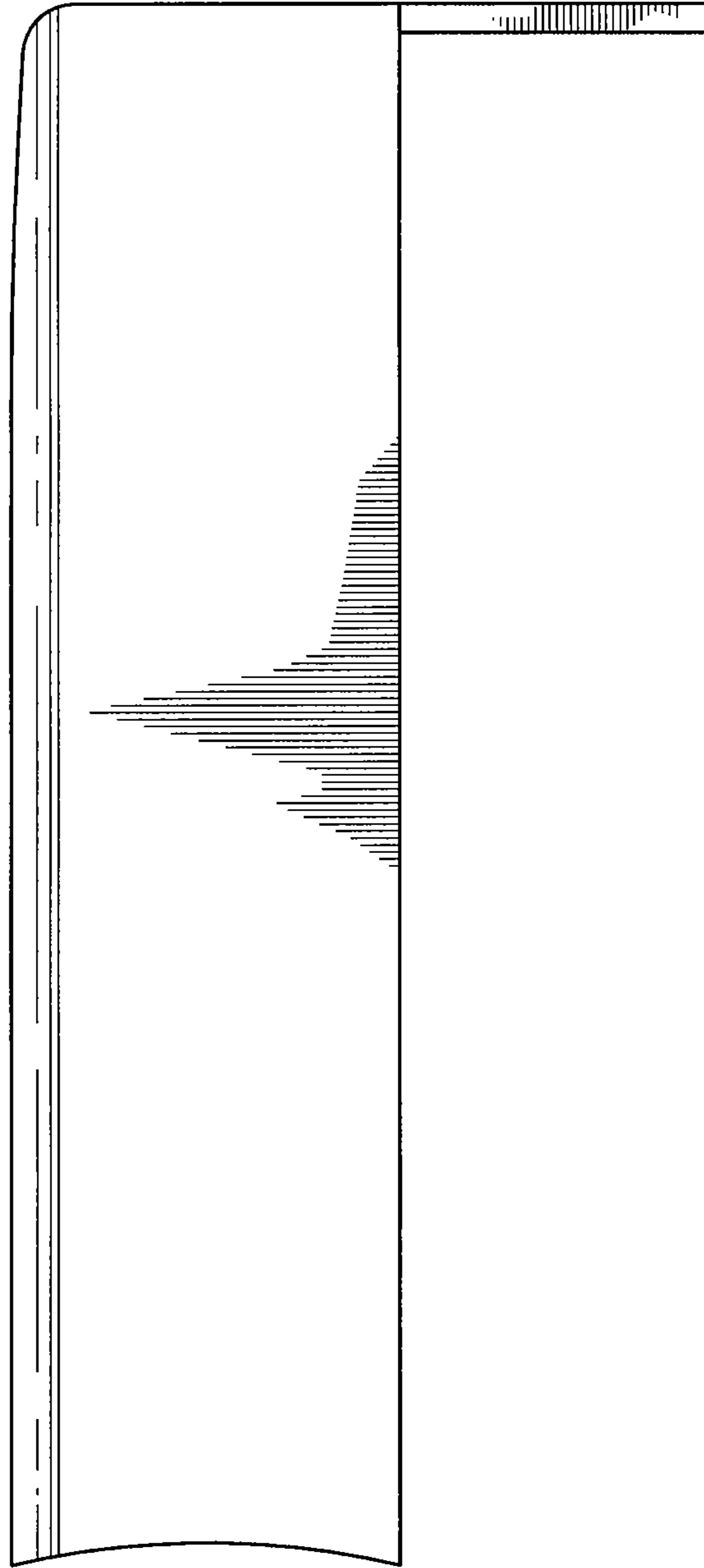


FIG. 16

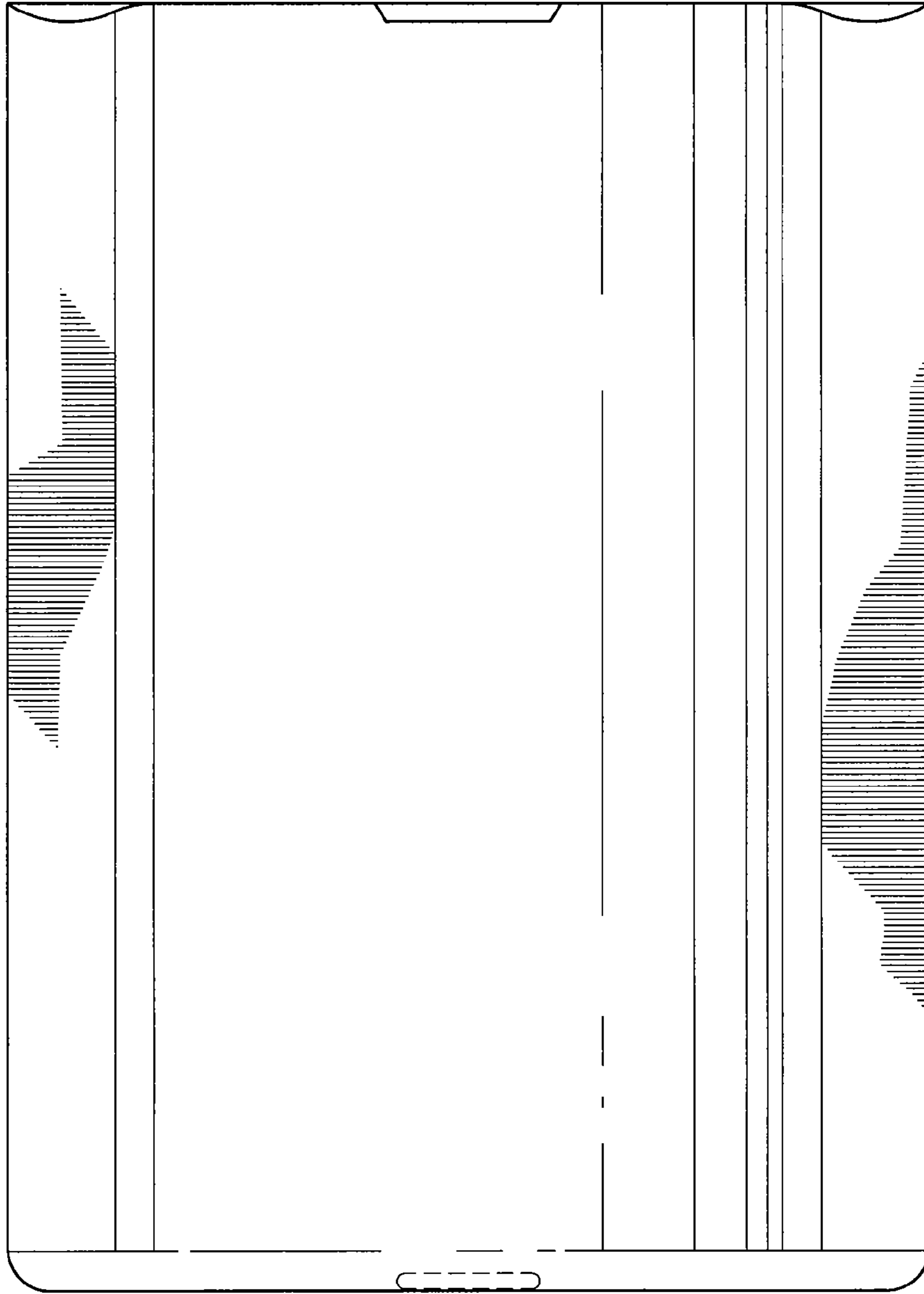


FIG. 17

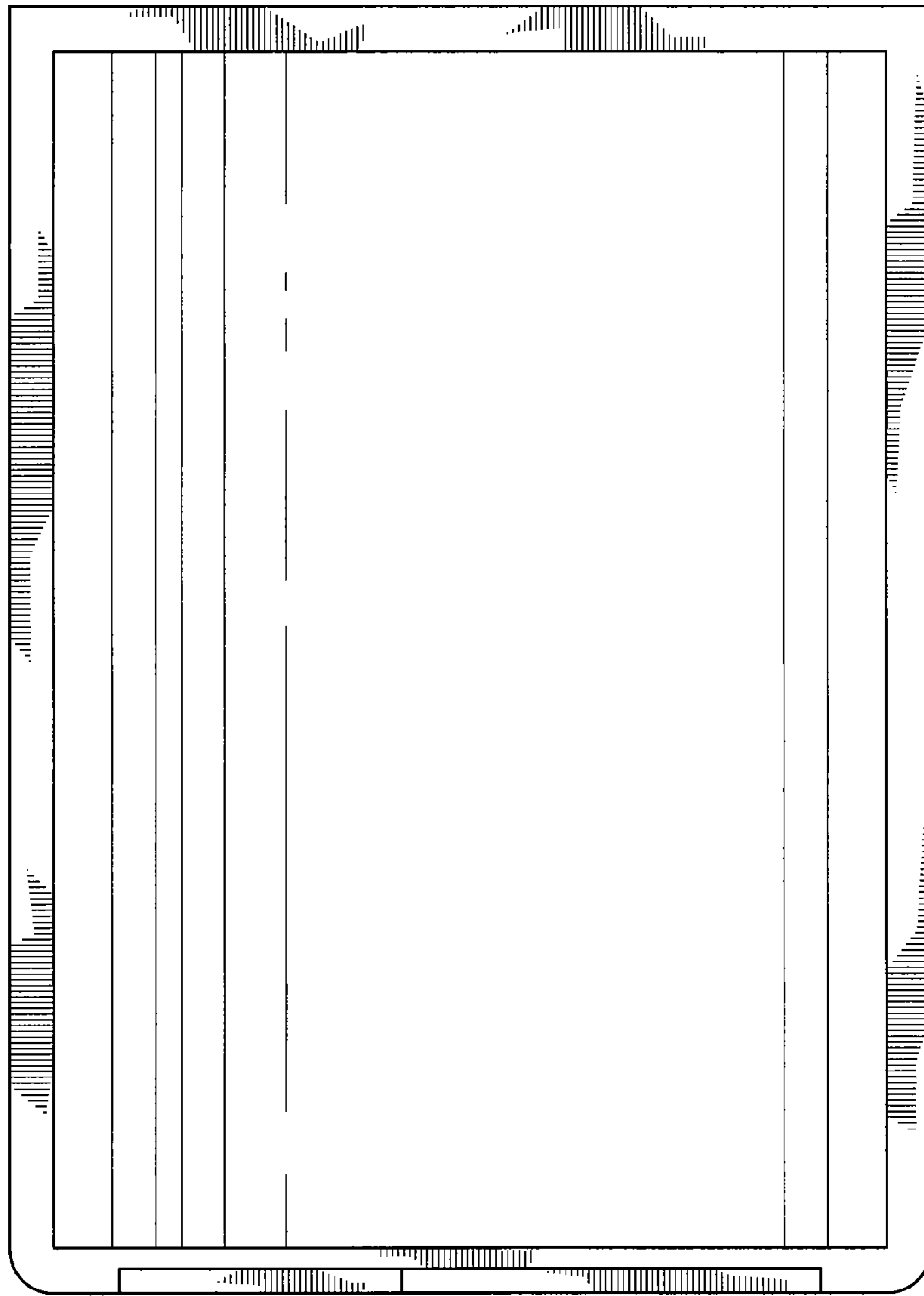


FIG. 18