



US00D765011S

(12) **United States Design Patent** (10) **Patent No.:** **US D765,011 S**
Martin et al. (45) **Date of Patent:** **** *Aug. 30, 2016**

(54) **INSTRUMENT PANEL FOR AN AIRCRAFT**

(71) Applicant: **Gulfstream Aerospace Corporation,**
Savannah, GA (US)

(72) Inventors: **Scott Martin,** Savannah, GA (US);
Scott Evans, Savannah, GA (US);
Jimmy H. Nguyen, Savannah, GA (US)

(73) Assignee: **Gulfstream Aerospace Corporation,**
Savannah, GA (US)

(*) Notice: This patent is subject to a terminal disclaimer.

(**) Term: **14 Years**

(21) Appl. No.: **29/506,150**

(22) Filed: **Oct. 13, 2014**

(51) **LOC (10) Cl.** **12-07**

(52) **U.S. Cl.**
USPC **D12/345**

(58) **Field of Classification Search**
USPC D6/336, 384, 653, 654, 665, 657, 663,
D6/672, 573; D7/602, 603, 614; D12/319,
D12/323, 325, 336, 345, 192, 423, 415, 416,
D12/179, 180, 182; D21/436, 447, 448,
D21/449, 453
CPC B64C 13/04; B64D 11/0007; B64D
11/0015; B64D 11/003; B64D 11/04; B64D
2011/0046; B64D 11/0629; B64B 1/10
See application file for complete search history.

(56) **References Cited**

U.S. PATENT DOCUMENTS

D53,630 S * 7/1919 Goodwin D12/192
D202,262 S * 9/1965 Brunger D12/192

D284,751 S * 7/1986 Soederberg D12/192
D384,015 S * 9/1997 Stenger D12/192
D424,002 S * 5/2000 Leschke D12/192
D456,754 S * 5/2002 Keating D12/192
D490,759 S * 6/2004 Iohara D12/192
D493,397 S * 7/2004 Tuzar D12/192
D504,856 S * 5/2005 Chao D12/192
D515,488 S * 2/2006 Seidel D12/192
D516,482 S * 3/2006 Pfeiffer D12/192
7,307,549 B2 * 12/2007 Firra B64D 43/00
340/971
2003/0127557 A1 * 7/2003 Anderson G01C 23/00
244/1 R

* cited by examiner

Primary Examiner — Robert M Spear

Assistant Examiner — Marissa J Cash

(74) *Attorney, Agent, or Firm* — Ingrassia, Fisher & Lorenz
PC

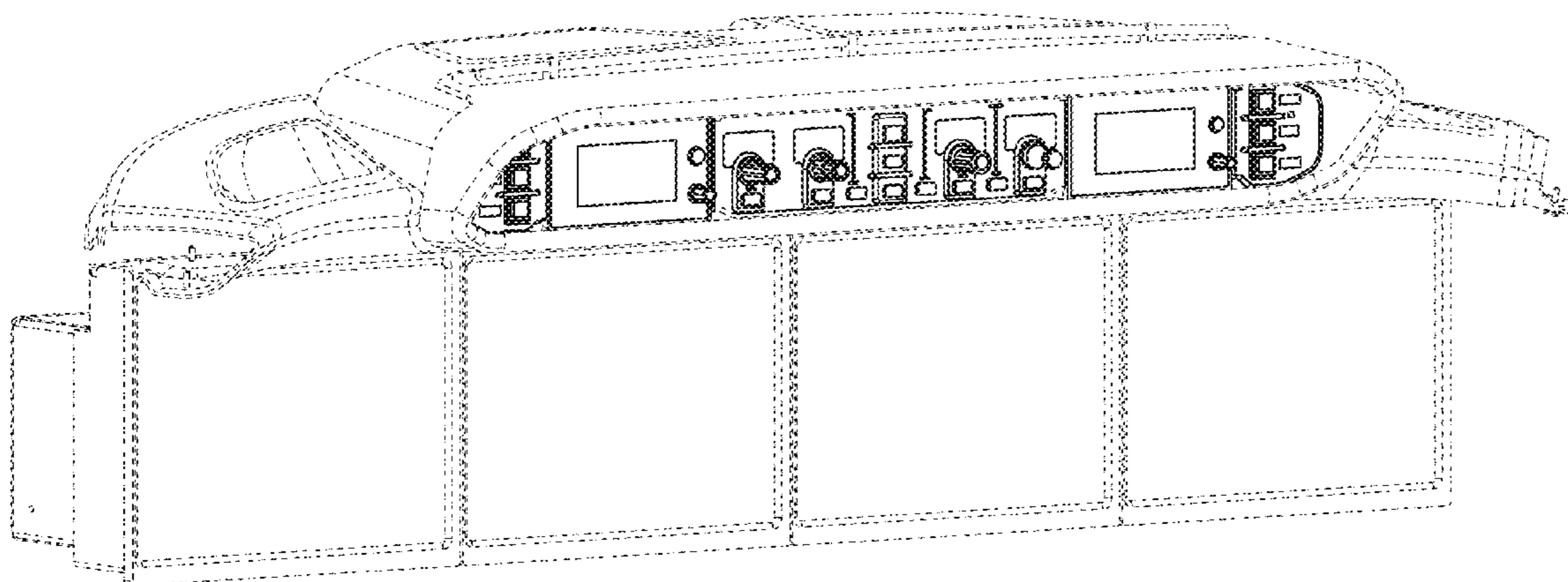
(57) **CLAIM**

The ornamental design for an instrument panel for an aircraft, as shown and described.

DESCRIPTION

FIG. 1 is a front perspective view of an instrument panel for an aircraft showing our new design;
FIG. 2 is a front view thereof, the back view forming no part of the claimed design;
FIG. 3 is a bottom view thereof;
FIG. 4 is a top view thereof;
FIG. 5 is a first side view thereof; and,
FIG. 6 is a second side view thereof.
The repeating short dash broken lines illustrate structure and environment that form no part of the claimed design. The single long dash and single short dash broken lines illustrate boundaries of the claimed design that form no part thereof.

1 Claim, 4 Drawing Sheets



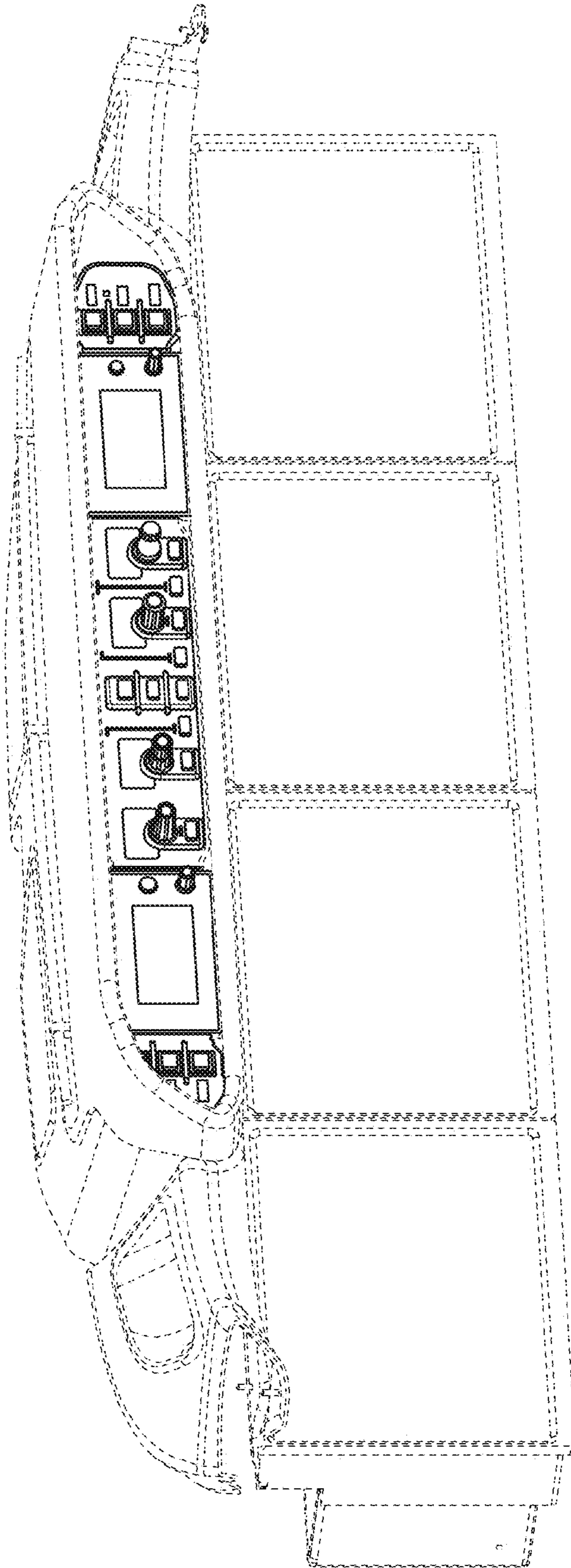


FIG. 1

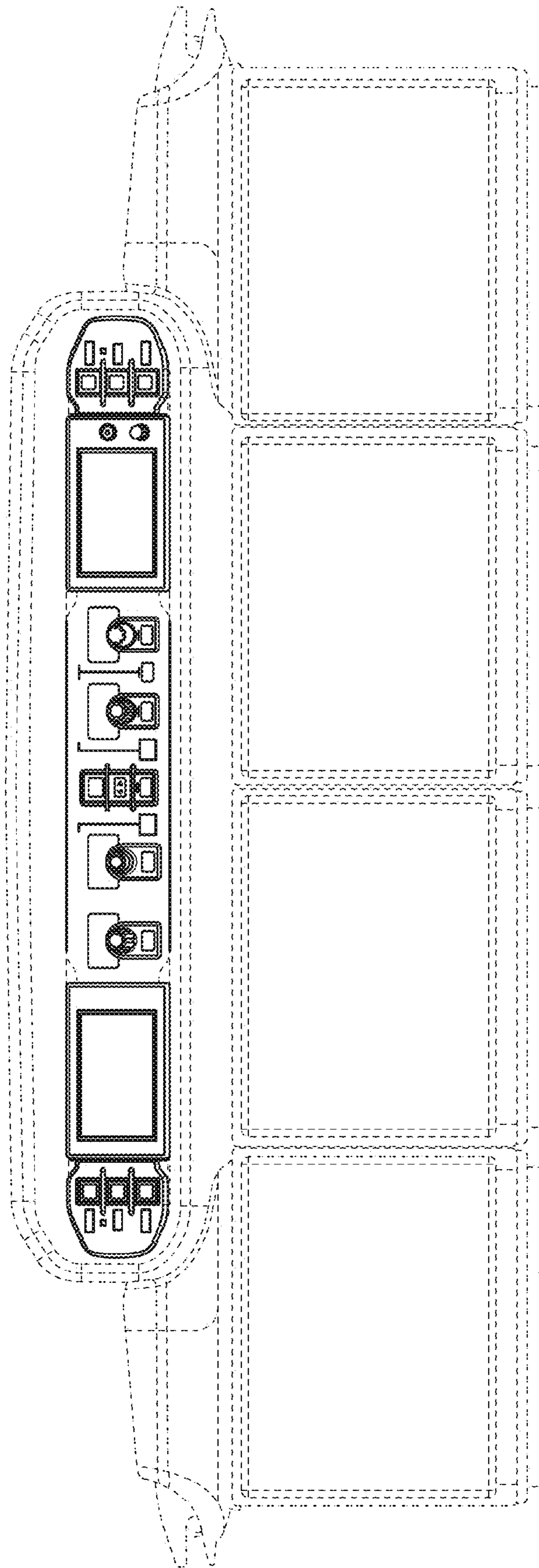


FIG. 2

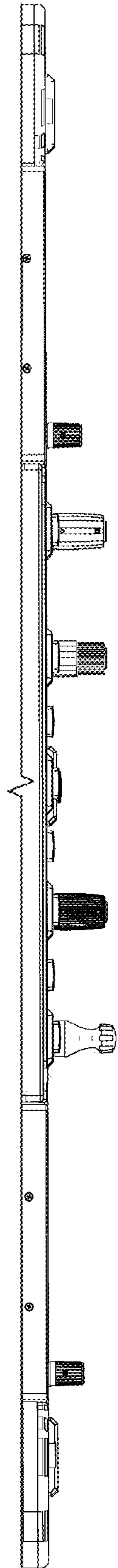


FIG. 3

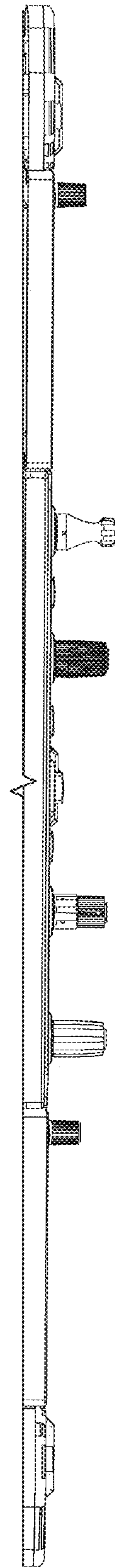


FIG. 4

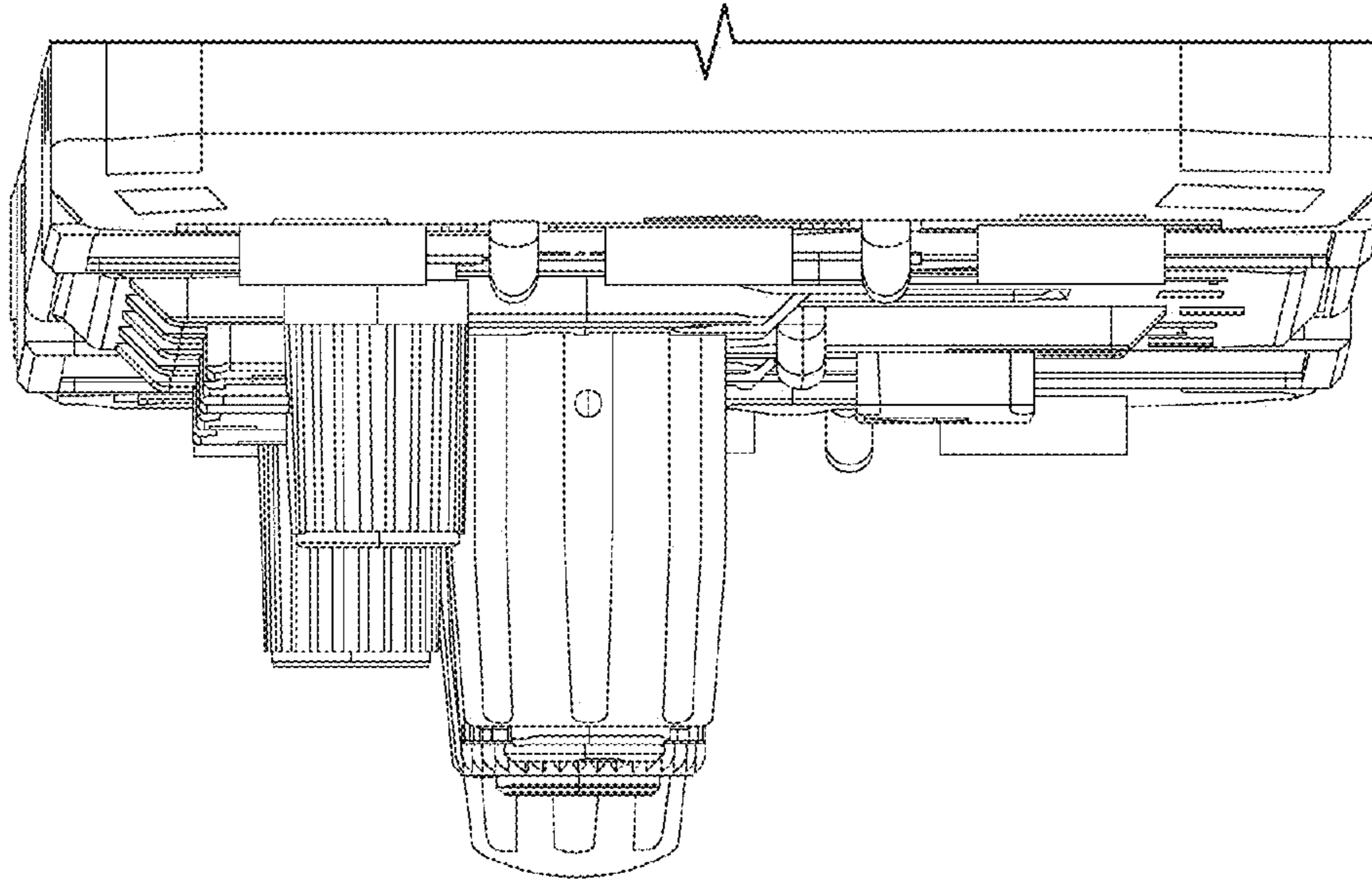


FIG. 5

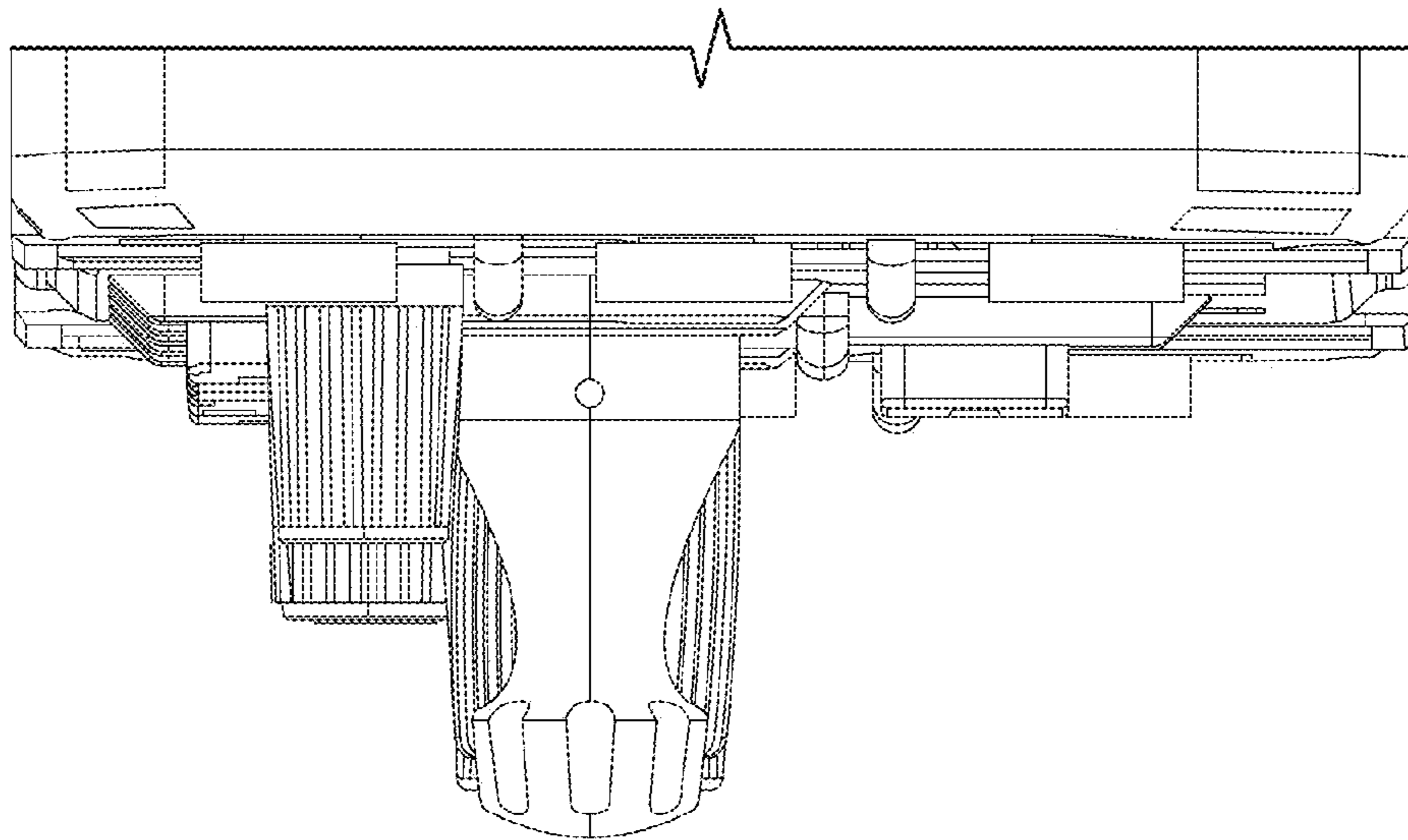


FIG. 6