



US00D765009S

(12) **United States Design Patent** (10) **Patent No.:** **US D765,009 S**
Conrad (45) **Date of Patent:** **** Aug. 30, 2016**

(54) **LOWER RAIL CAP FOR A WATERCRAFT**
(71) Applicant: **Premier Marine, Inc.**, Wyoming, MN (US)
(72) Inventor: **Kristie Conrad**, Cambridge, MN (US)
(73) Assignee: **Premier Marine, Inc.**, Wyoming, MN (US)

D413,393 S * 8/1999 Damratoski D25/38.1
6,234,098 B1 * 5/2001 Biedenweg B63B 3/48
114/61.1
D471,284 S * 3/2003 Heath D25/38.1
D551,775 S * 9/2007 McGinness D25/135
D609,820 S * 2/2010 Clarke D25/38.1
D720,477 S * 12/2014 Ross D25/121
D723,716 S * 3/2015 Imus D25/121
D724,240 S * 3/2015 Ross D25/121
2007/0022938 A1 * 2/2007 Fishburn B63B 17/04
114/364

(**) Term: **15 Years**

* cited by examiner

(21) Appl. No.: **29/526,858**

Primary Examiner — Cynthia M Chin

(22) Filed: **May 13, 2015**

(74) *Attorney, Agent, or Firm* — Winthrop & Weinstine, P.A.

(51) **LOC (10) Cl.** **12-06**

(57) **CLAIM**

(52) **U.S. Cl.**
USPC **D12/317; D25/38.1**

The ornamental design for a lower rail cap for a watercraft, as shown and described.

(58) **Field of Classification Search**
USPC D12/300–318; D25/38.1, 41.1, 119,
D25/120, 121, 124; 114/61.1, 61.14, 61.2,
114/61.22, 61.24, 343, 352, 355, 356, 357,
114/361, 364
CPC B63B 1/12; B63B 1/121; B63B 1/125;
B63B 17/02; B63B 17/026; B63B 17/04
See application file for complete search history.

DESCRIPTION

(56) **References Cited**

U.S. PATENT DOCUMENTS

D200,702 S * 3/1965 Huret D25/121
5,706,753 A * 1/1998 Menne B63B 17/02
114/361
5,706,754 A * 1/1998 Menne, Jr. B63B 17/04
114/364

FIG. 1 is a perspective view of a lower rail cap for a watercraft;
FIG. 2 is a cross-sectional/end view of FIG. 1;
FIG. 3 is a cross-sectional/end view of FIG. 1 as viewed from opposite the view of FIG. 2;
FIG. 4 is a top view of FIG. 1;
FIG. 5 is a bottom view of FIG. 1;
FIG. 6 is a front view of FIG. 1; and,
FIG. 7 is a rear view of FIG. 1.
The broken away symbols in the drawings indicate the appearance of any portion of the article between the break lines forms no part of the claimed design.

1 Claim, 3 Drawing Sheets

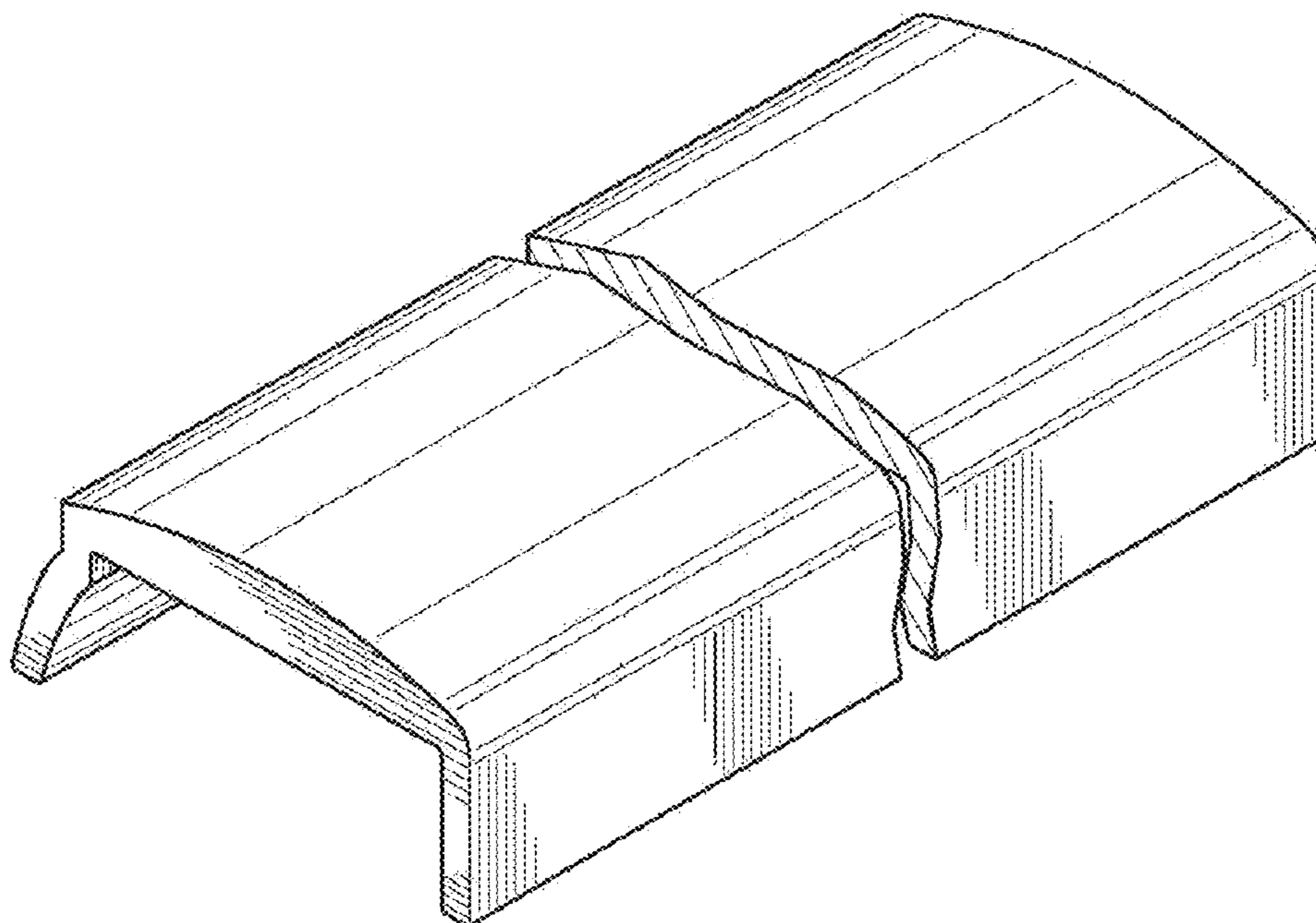


Fig. 1

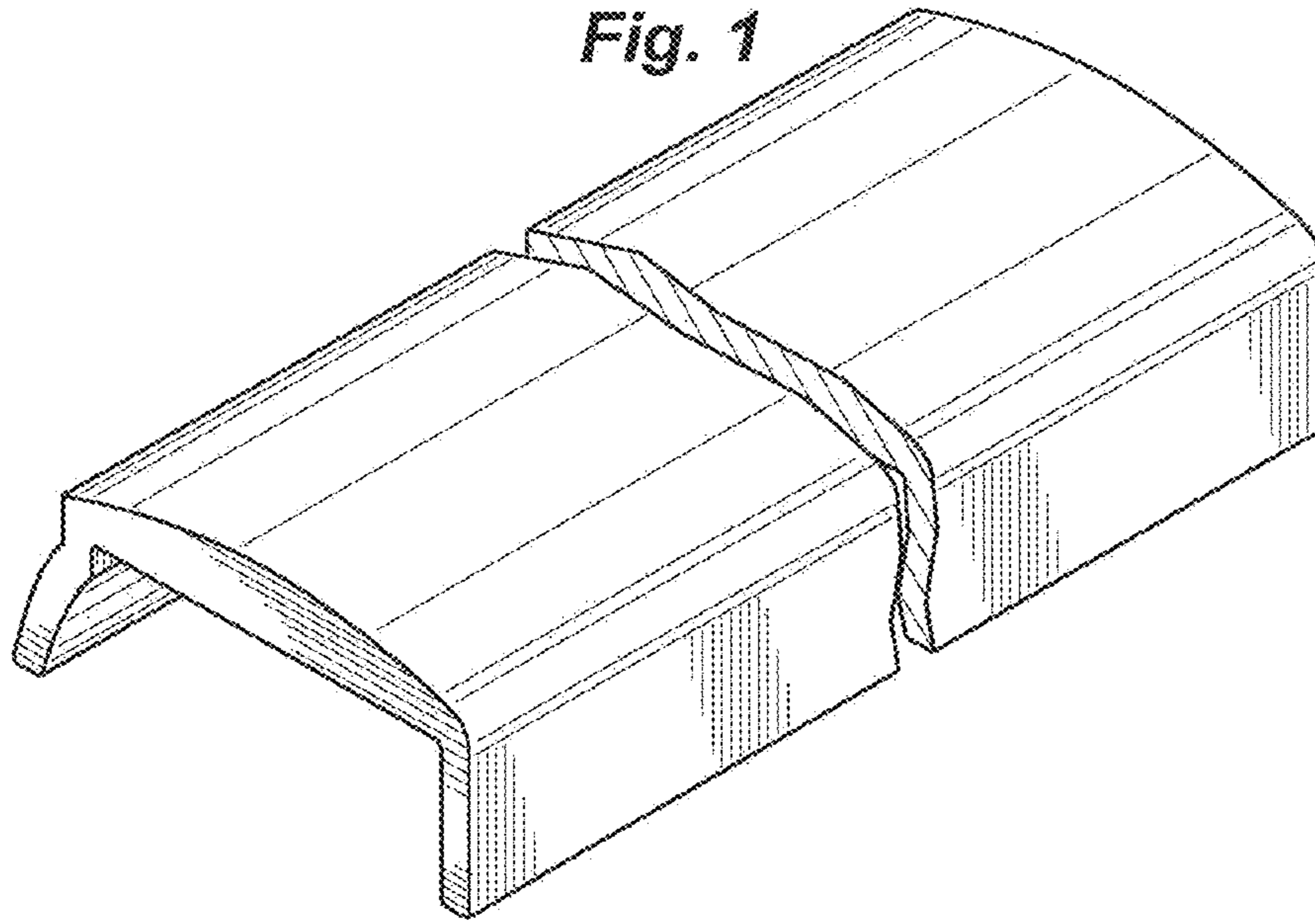


Fig. 2

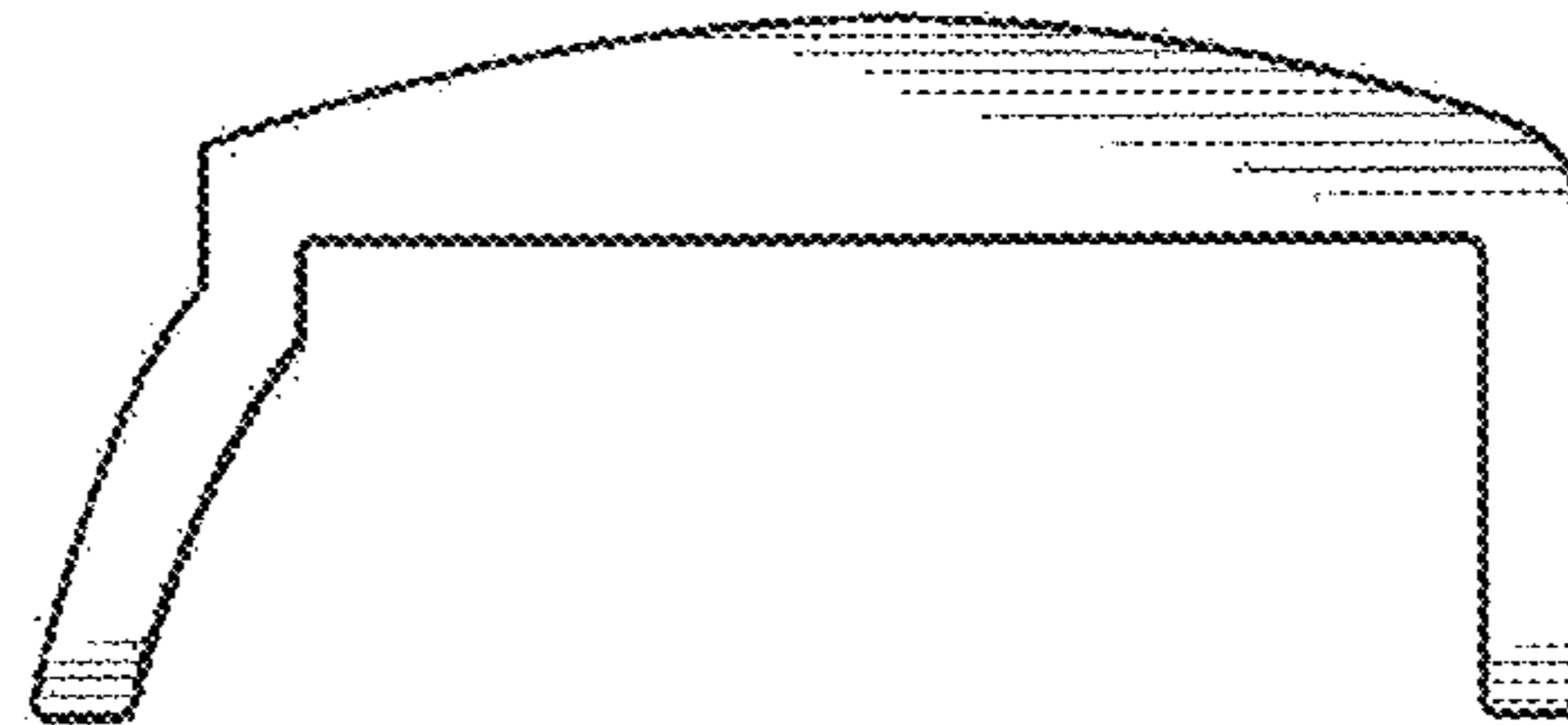


Fig. 3



Fig. 4

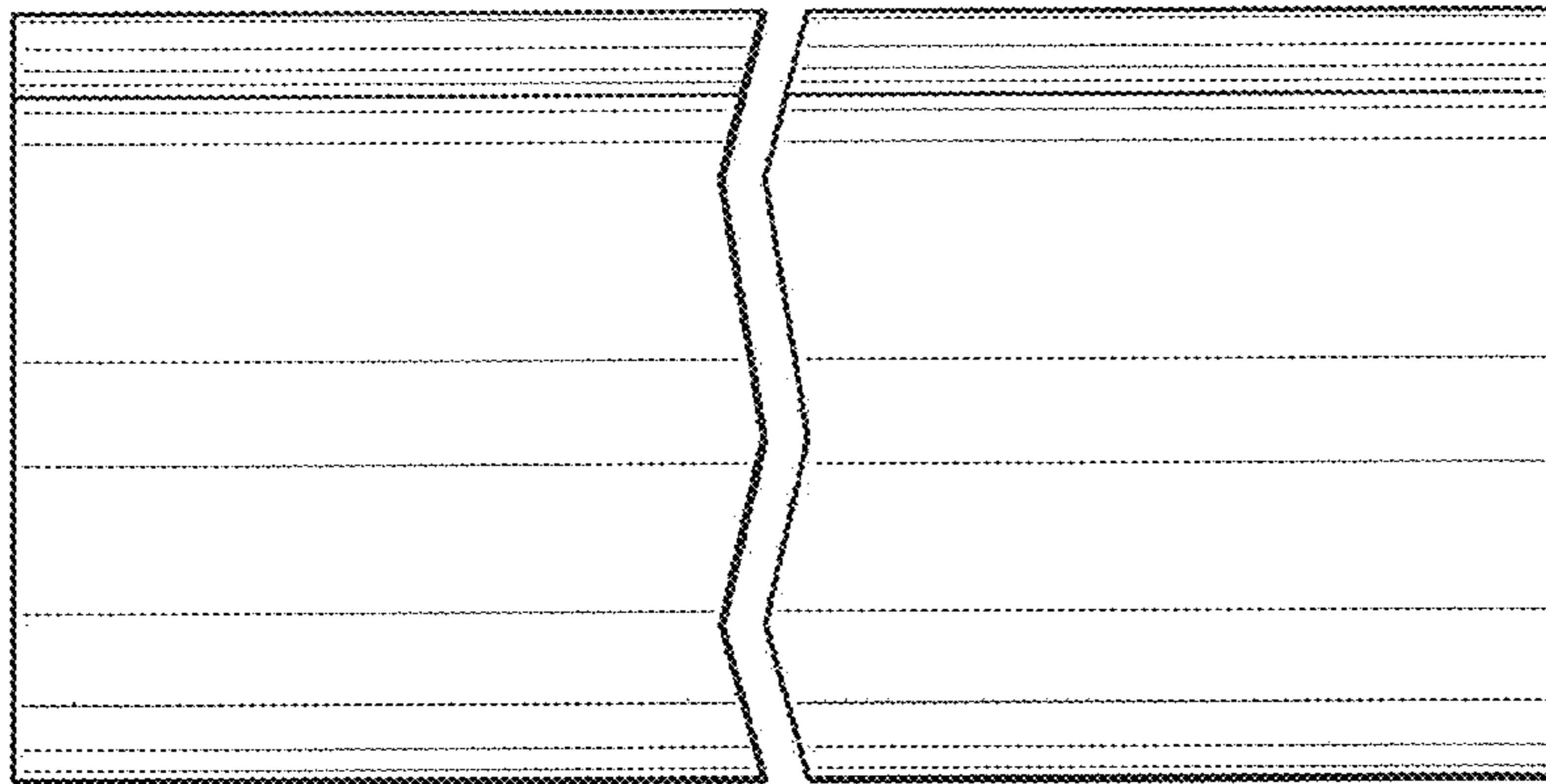


Fig. 5

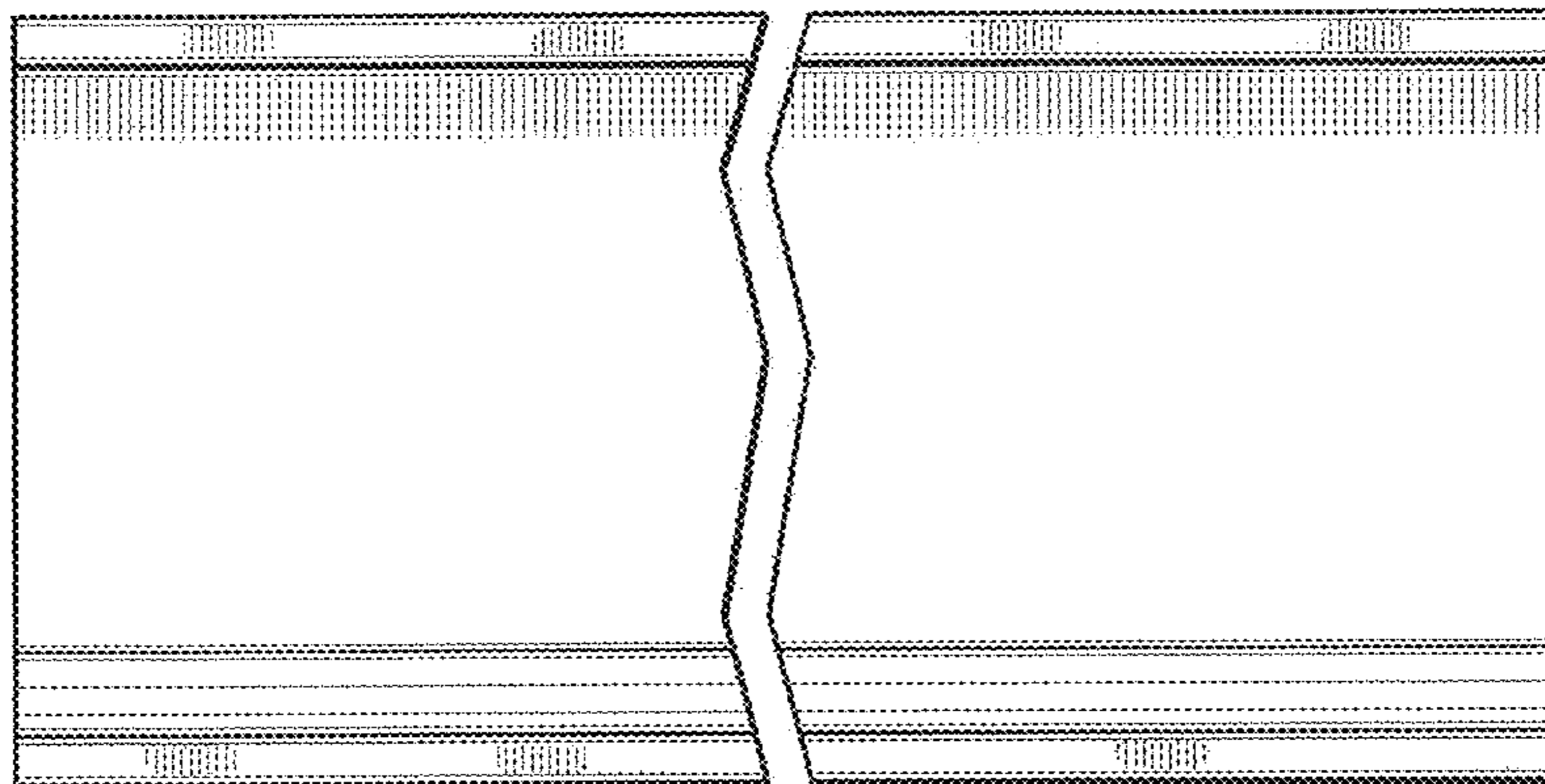


Fig. 6

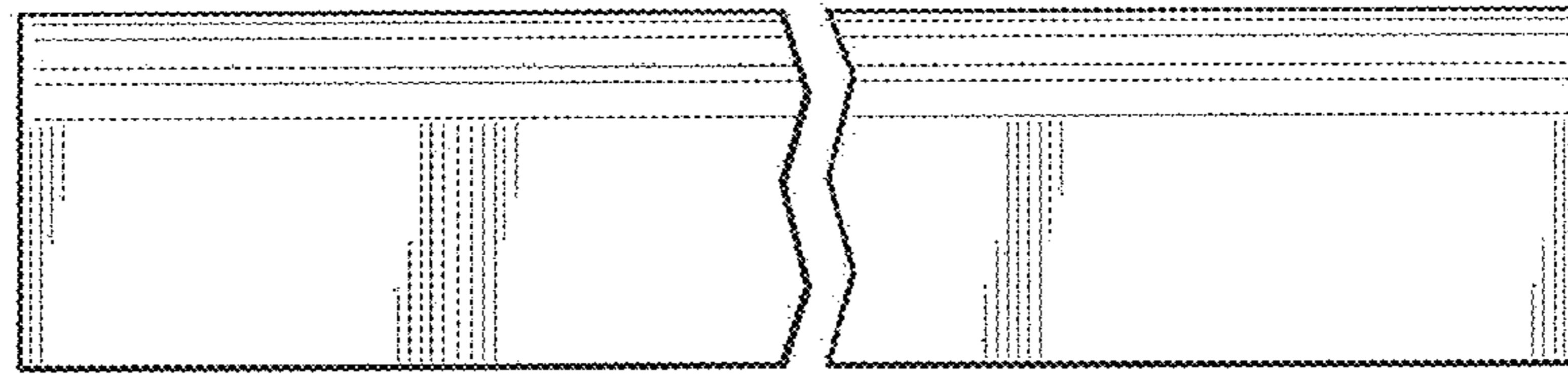


Fig. 7

