



US00D765007S

(12) **United States Design Patent**
Chung

(10) **Patent No.:** **US D765,007 S**

(45) **Date of Patent:** **** Aug. 30, 2016**

(54) **AUTOMOTIVE WHEEL**

(71) Applicant: **Suny Chung**, Anaheim, CA (US)

(72) Inventor: **Suny Chung**, Anaheim, CA (US)

(**) Term: **15 Years**

(21) Appl. No.: **29/538,597**

(22) Filed: **Sep. 4, 2015**

(51) **LOC (10) Cl.** **12-16**

(52) **U.S. Cl.**
USPC **D12/211**

(58) **Field of Classification Search**
USPC D12/204–213

CPC B60B 7/00; B60B 7/02; B60B 7/04;
B60B 7/01; B60B 7/06; B60B 3/02; B60B
3/04; B60B 3/06; B60B 3/10; B60B 1/00;
B60B 1/08; B60B 1/10; B60B 1/12

See application file for complete search history.

D622,201 S *	8/2010	Zhao	D12/211
D625,245 S *	10/2010	Hans	D12/211
D630,992 S *	1/2011	Cortes	D12/211
D635,081 S *	3/2011	Tirado	D12/211
D655,234 S *	3/2012	Zhao	D12/211
D655,665 S *	3/2012	Zhao	D12/211
D670,226 S *	11/2012	Muller	D12/211
D685,311 S *	7/2013	Alfonso	D12/211
D721,630 S *	1/2015	McLeod	D12/211
D726,087 S *	4/2015	Breyton	D12/211
D733,632 S *	7/2015	Juergens	D12/211
D748,560 S *	2/2016	Simm	D12/211
D753,047 S *	4/2016	Alfonso	D12/211

* cited by examiner

Primary Examiner — Stacia Cadmus

(56) **References Cited**

U.S. PATENT DOCUMENTS

D348,243 S *	6/1994	Echazabal	D12/211
D350,932 S *	9/1994	Echazabel	D12/211
D451,067 S *	11/2001	Frizzi	D12/211
D500,726 S *	1/2005	Hettler	D12/211
D525,932 S *	8/2006	Hettler	D12/211
D558,117 S *	12/2007	Baum	D12/211
D591,661 S *	5/2009	Baum	D12/209

(57) **CLAIM**

The ornamental design for an automotive wheel, as shown and described.

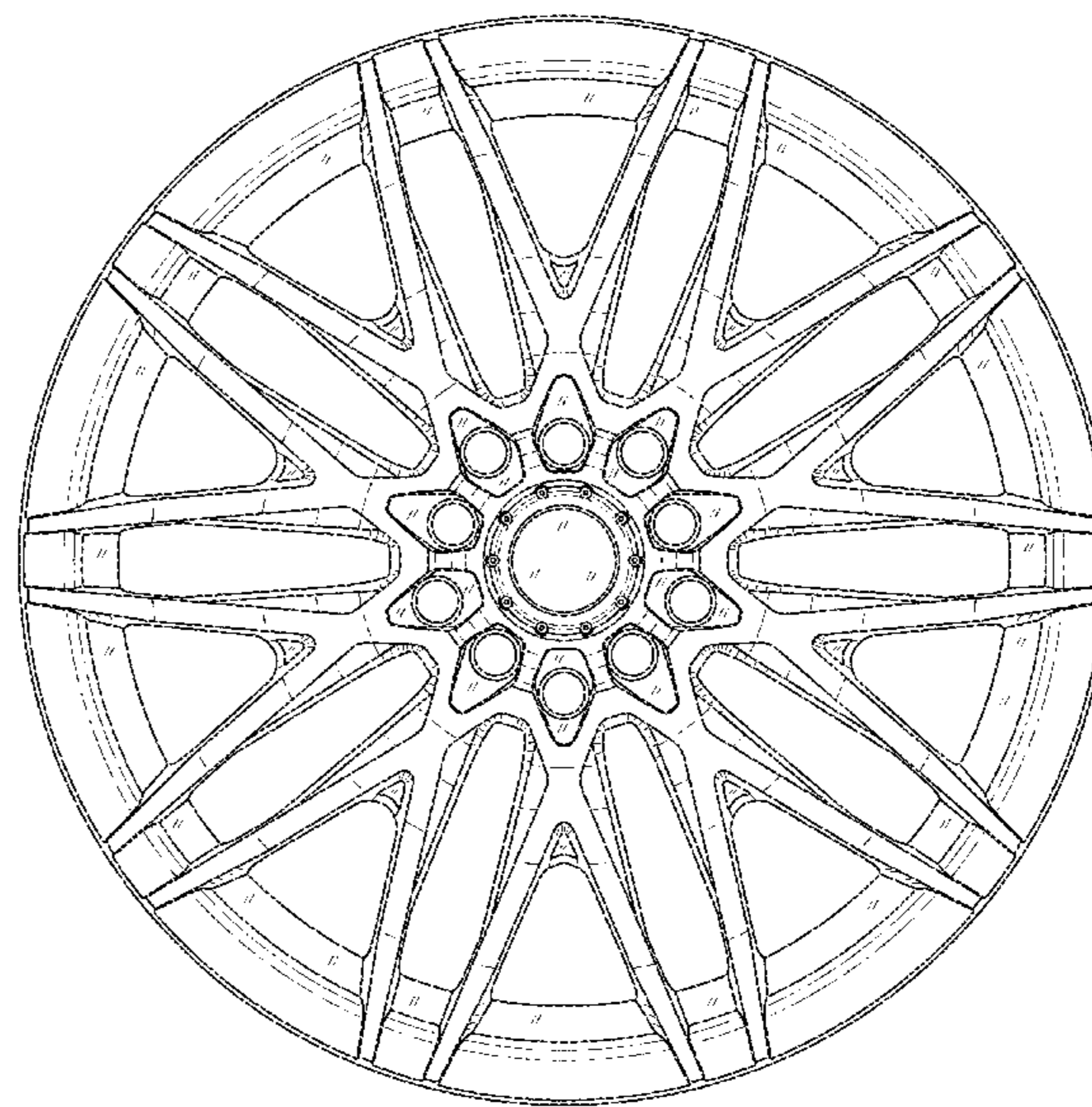
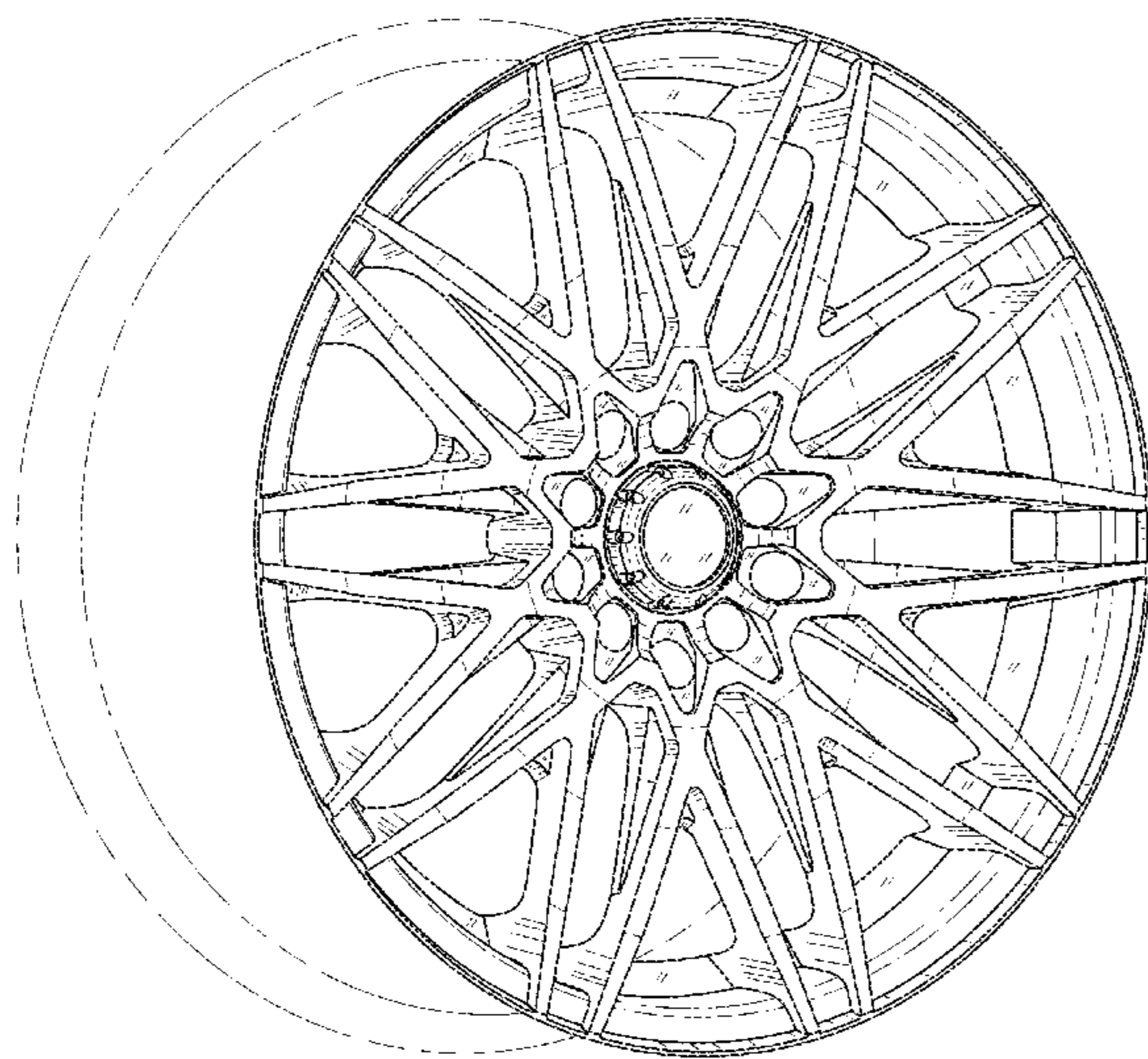
DESCRIPTION

FIG. 1 is a perspective view of an automotive wheel, showing my new design; and,

FIG. 2 is a front view thereof.

The broken line showing of the rear portion of the wheel is included for the purpose of illustrating environment and forms no part of the claimed design.

1 Claim, 2 Drawing Sheets



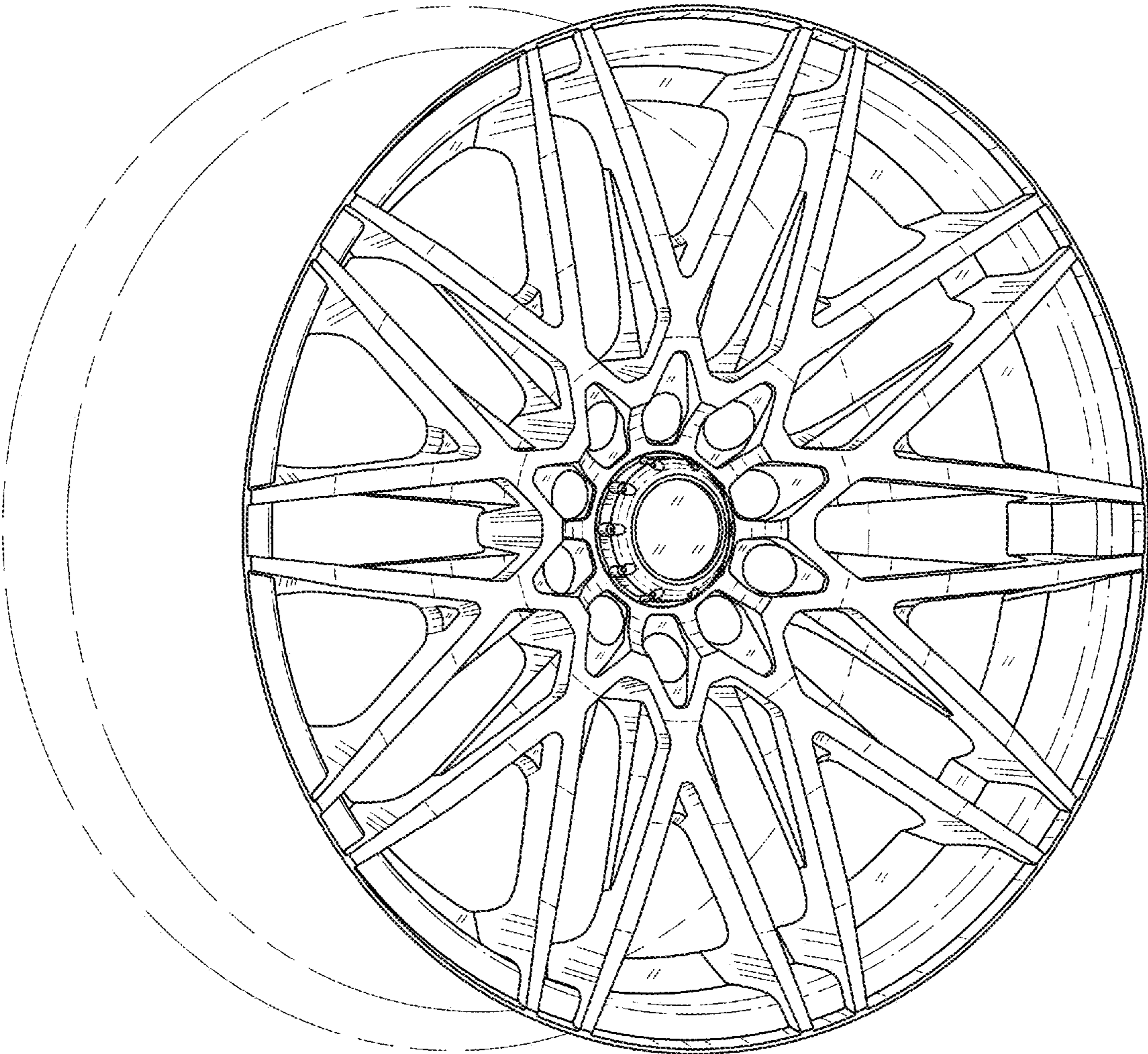


FIGURE 1

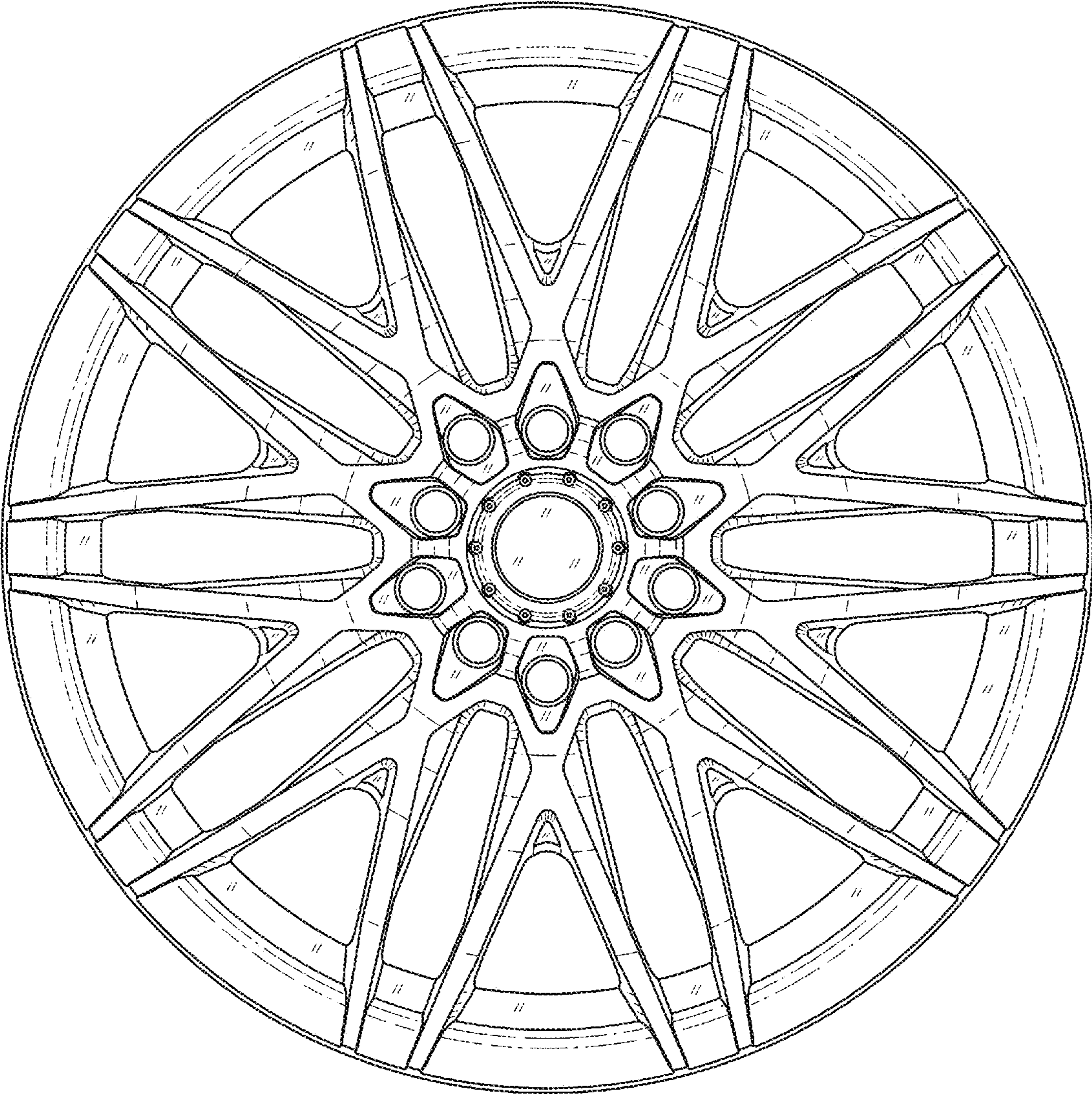


FIGURE 2