



US00D765002S

(12) **United States Design Patent**
Hoste et al.

(10) **Patent No.:** **US D765,002 S**

(45) **Date of Patent:** **** Aug. 30, 2016**

(54) **AUTOMOBILE WHEEL**

(71) Applicants: **Paul M Hoste**, New Hudson, MI (US);
Brian H Nielander, Royal Oak, MI
(US); **Mark T Allen**, Oxford, MI (US)

(72) Inventors: **Paul M Hoste**, New Hudson, MI (US);
Brian H Nielander, Royal Oak, MI
(US); **Mark T Allen**, Oxford, MI (US)

(73) Assignee: **FCA US LLC**, Auburn Hills, MI (US)

(**) Term: **15 Years**

(21) Appl. No.: **29/555,535**

(22) Filed: **Feb. 23, 2016**

(51) **LOC (10) Cl.** **12-16**

(52) **U.S. Cl.**
USPC **D12/209**

(58) **Field of Classification Search**
USPC D12/204–213
CPC B60B 7/00; B60B 7/02; B60B 7/04;
B60B 7/01; B60B 7/06; B60B 3/02; B60B
3/04; B60B 3/06; B60B 3/10; B60B 1/00;
B60B 1/08; B60B 1/10; B60B 1/12
See application file for complete search history.

(56) **References Cited**

U.S. PATENT DOCUMENTS

D413,851 S	*	9/1999	Donikoglu	D12/209
D480,676 S	*	10/2003	Bhambra	D12/211
D484,085 S	*	12/2003	Tirado	D12/211
D515,999 S	*	2/2006	Noriega	D12/209
D528,494 S	*	9/2006	Osborne	D12/209
D530,259 S	*	10/2006	Sands	D12/211

D553,068 S	*	10/2007	Celik	D12/211
D567,739 S	*	4/2008	Kim	D12/211
D572,185 S	*	7/2008	Pollmann	D12/211
D579,397 S	*	10/2008	Osborne	D12/211
D582,335 S	*	12/2008	Rak	D12/211
D584,672 S	*	1/2009	Osborne	D12/209
D594,803 S	*	6/2009	Pollmann	D12/211
D630,147 S	*	1/2011	Sands	D12/211
D643,356 S	*	8/2011	Gotschke	D12/209
D644,587 S	*	9/2011	Gotschke	D12/209
D656,444 S	*	3/2012	Lee	D12/209
D666,960 S	*	9/2012	Chung	D12/211
D670,223 S	*	11/2012	Chung	D12/209
D706,198 S	*	6/2014	Chung	D12/211
D733,027 S	*	6/2015	Chung	D12/211
D744,926 S	*	12/2015	Caswell	D12/209
D744,932 S	*	12/2015	Kobayashi	D12/211
D747,255 S	*	1/2016	Kobayashi	D12/211
D750,004 S	*	2/2016	Chung	D12/211

* cited by examiner

Primary Examiner — Stacia Cadmus

(74) *Attorney, Agent, or Firm* — Ralph E. Smith

(57) **CLAIM**

The ornamental design for an automobile wheel, as shown and described.

DESCRIPTION

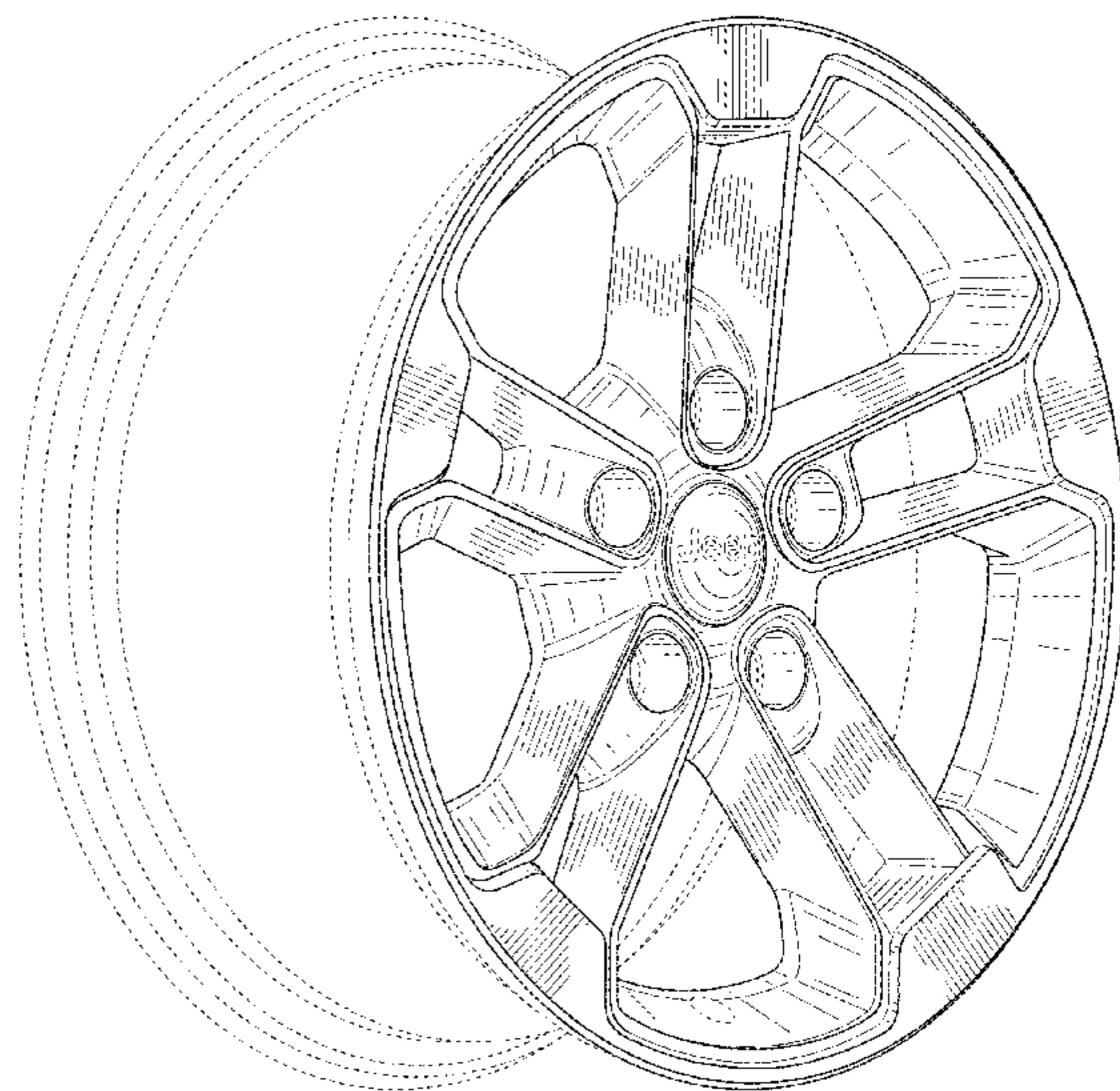
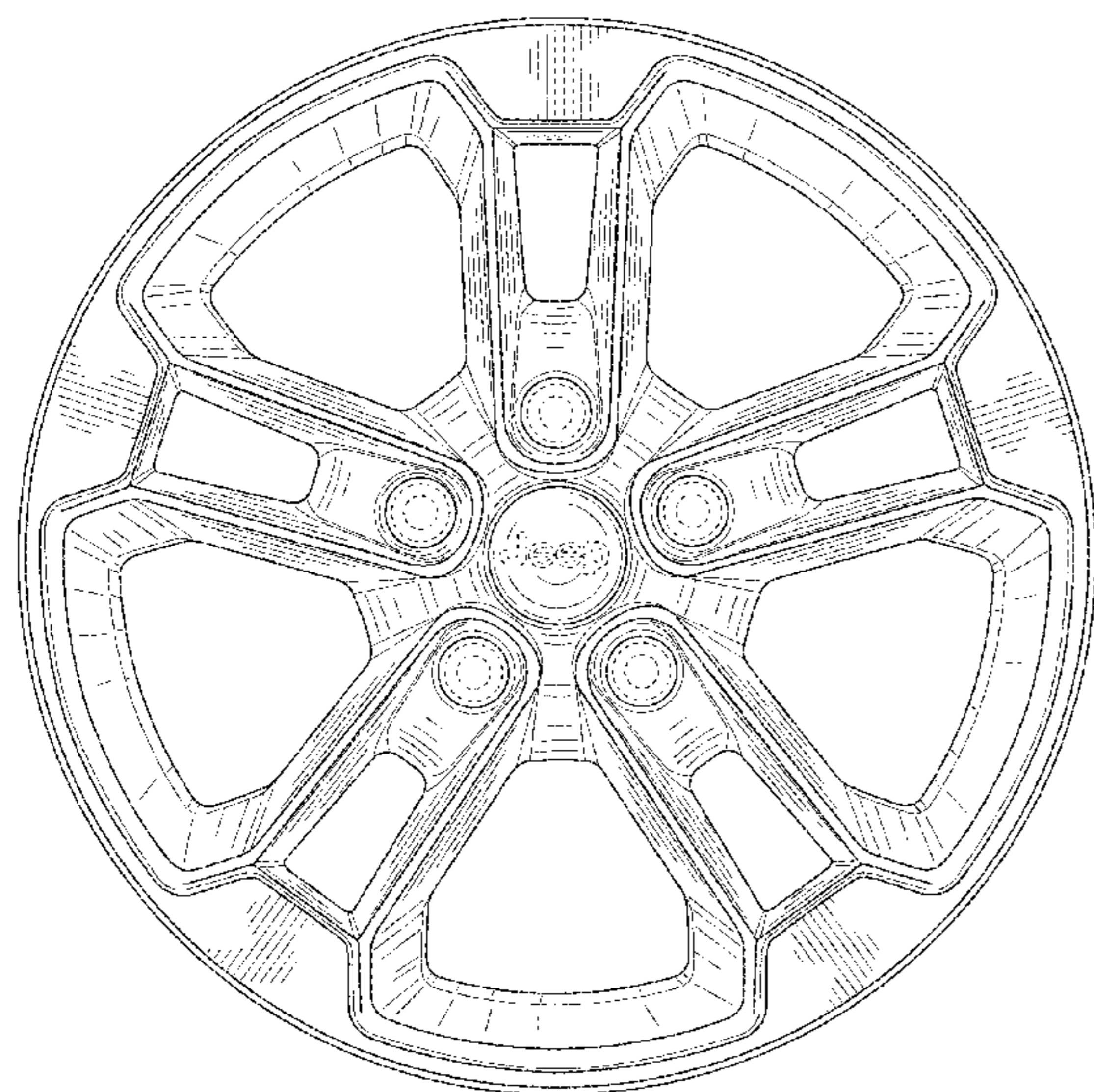
FIG. 1 is a front view of an automobile wheel showing our new design;

FIG. 2 is a right side perspective view thereof; and,

FIG. 3 is a left side perspective view.

It will be understood that the broken lines shown in the drawings illustrate portions of the automobile wheel that form no part of claimed design.

1 Claim, 3 Drawing Sheets



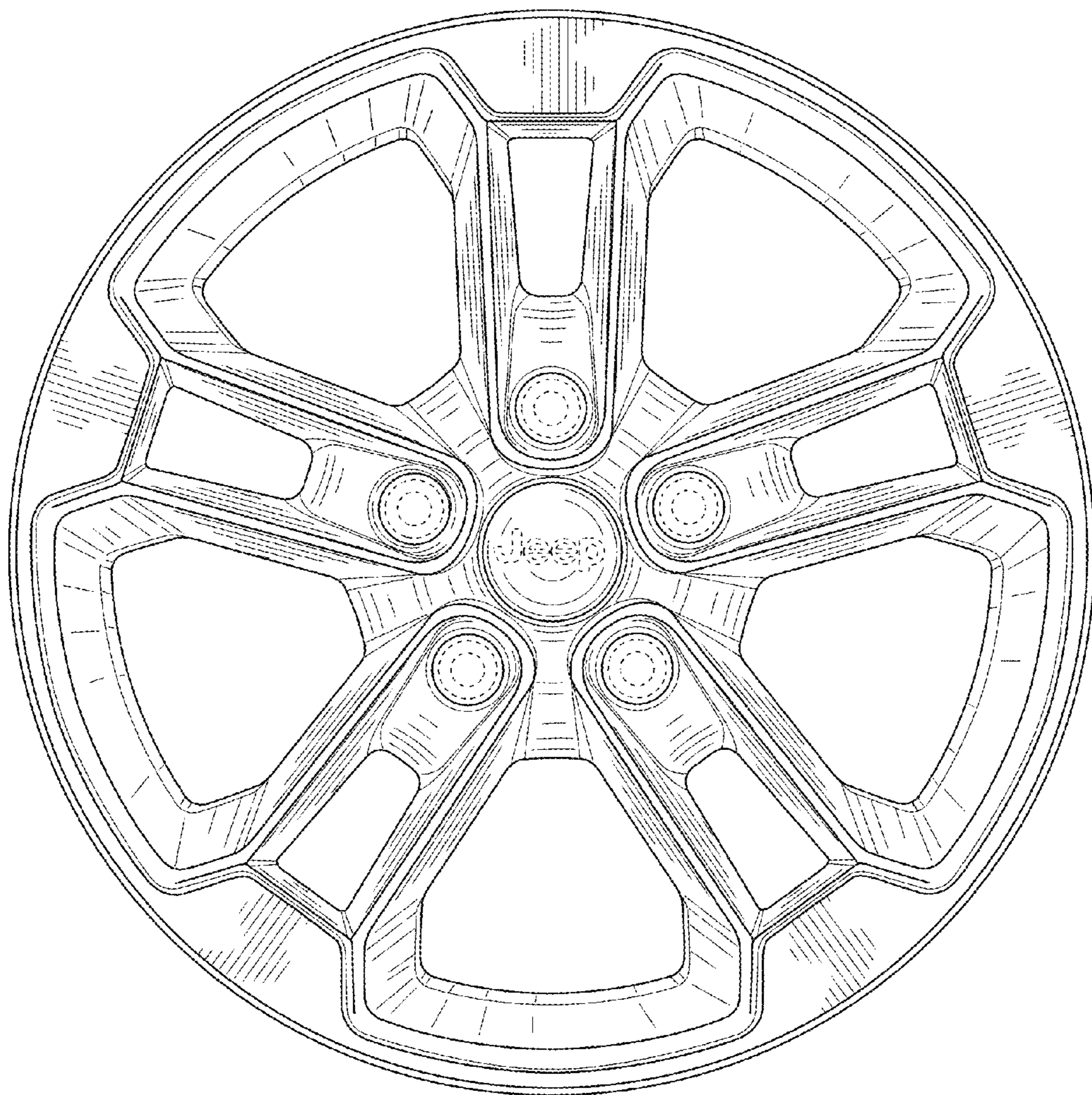


FIG. 1

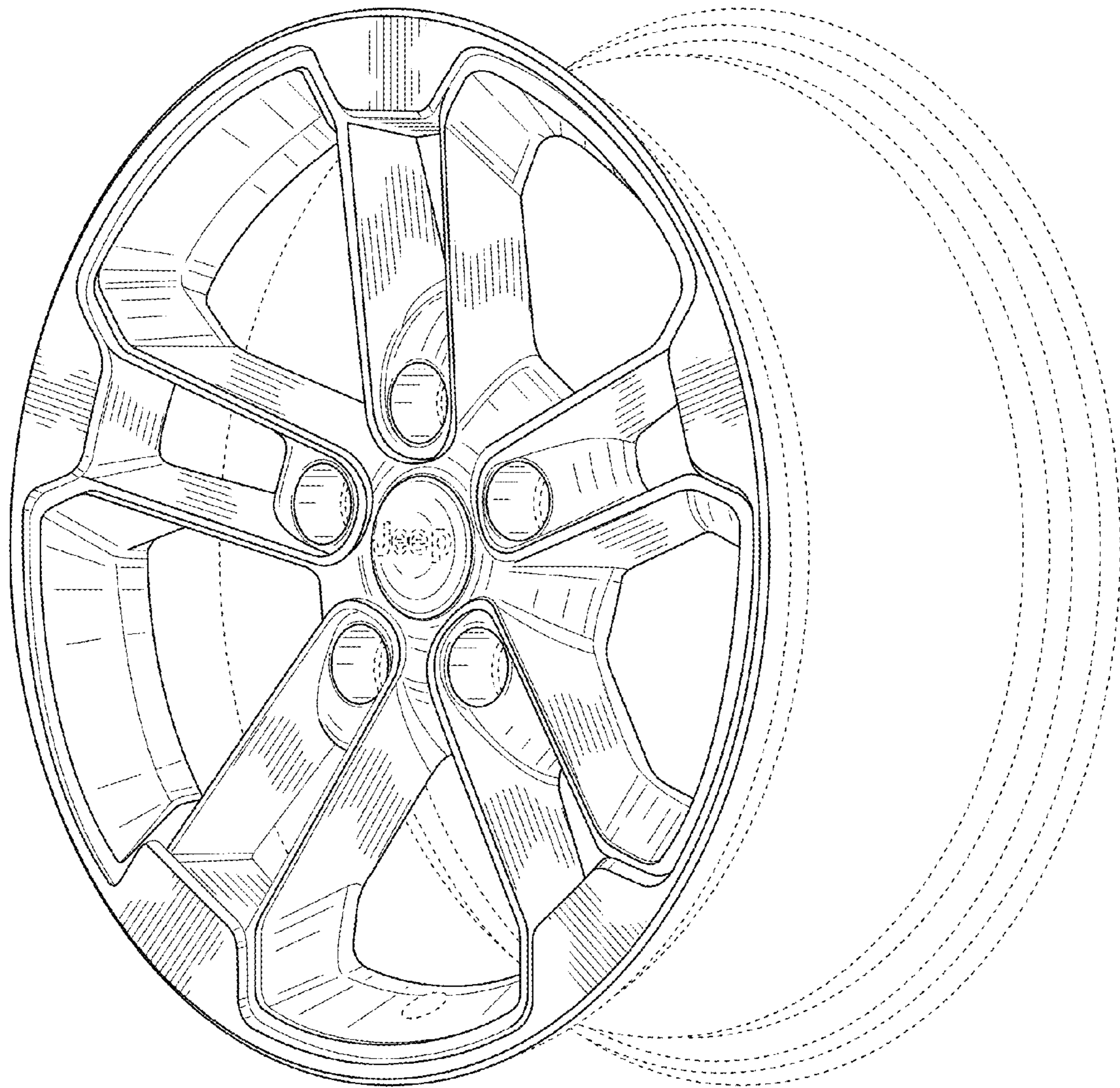


FIG. 2

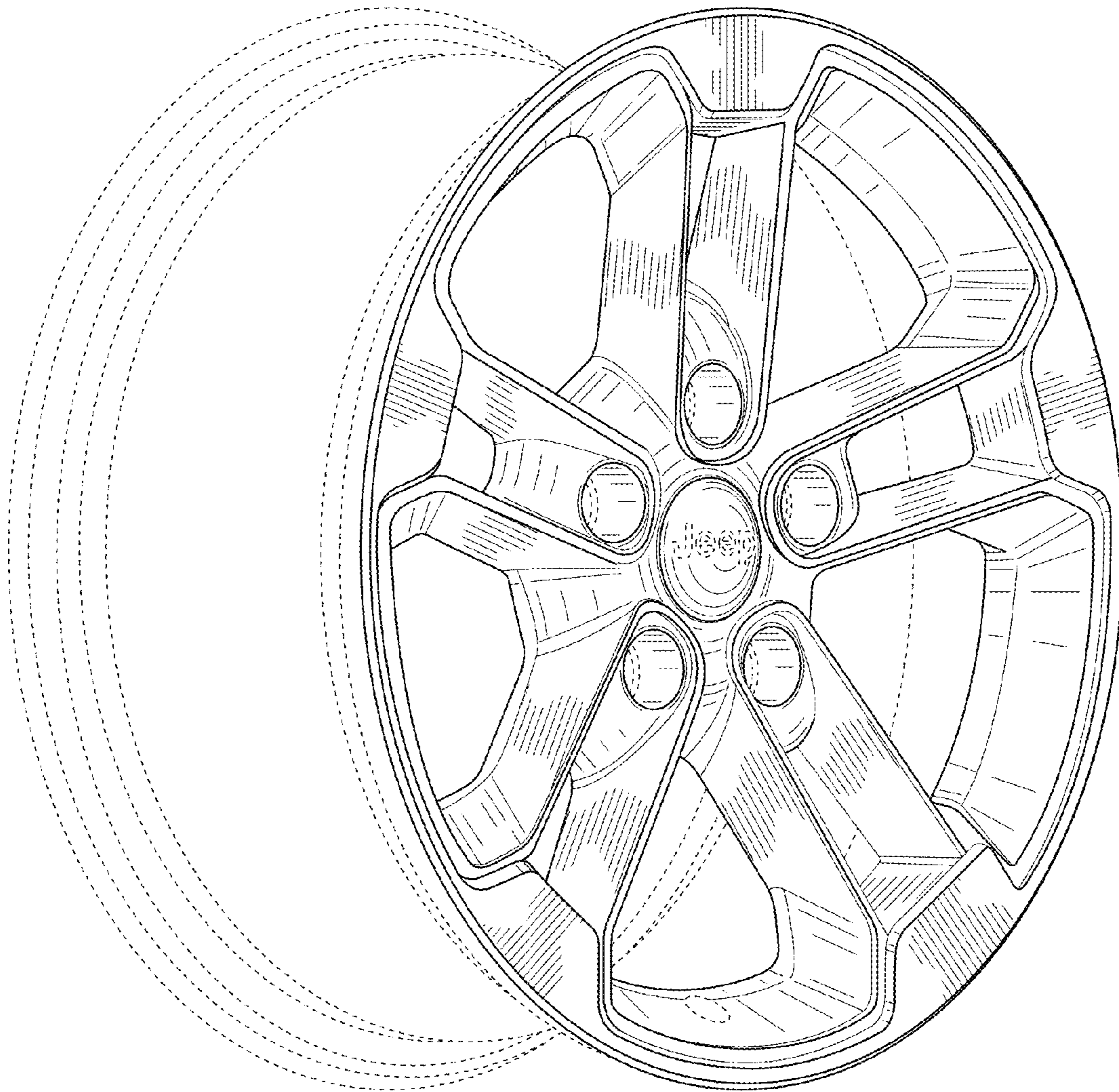


FIG. 3