

US00D764998S

(12) **United States Design Patent**
Woodhouse et al.

(10) **Patent No.:** **US D764,998 S**

(45) **Date of Patent:** **** Aug. 30, 2016**

(54) **VEHICLE WHEEL**

(71) Applicant: **Ford Motor Company**, Dearborn, MI (US)

(72) Inventors: **David Woodhouse**, Troy, MI (US);
Soohyoung Kim, Northville, MI (US);
Max Wolff, Birmingham, MI (US);
Kemal Curic, West Bloomfield, MI (US)

(73) Assignee: **Ford Motor Company**, Dearborn, MI (US)

(**) Term: **14 Years**

(21) Appl. No.: **29/522,303**

(22) Filed: **Mar. 30, 2015**

(51) **LOC (10) Cl.** **12-16**

(52) **U.S. Cl.**
USPC **D12/204**

(58) **Field of Classification Search**
USPC D12/204–213
CPC B60B 7/00; B60B 7/02; B60B 7/04;
B60B 7/01; B60B 7/06; B60B 3/02; B60B
3/04; B60B 3/06; B60B 3/10; B60B 1/00;
B60B 1/08; B60B 1/10; B60B 1/12

See application file for complete search history.

(56) **References Cited**

U.S. PATENT DOCUMENTS

D89,687 S *	4/1933	Eksergian et al.	D12/204
D180,256 S *	5/1957	Walter	D12/211
2,860,924 A *	11/1958	Lyon	B60B 7/04 D12/204
D192,798 S *	5/1962	Holls	D12/209
D201,128 S *	5/1965	Wilen	D12/211
D201,676 S *	7/1965	Holls	D12/209
D203,931 S *	3/1966	Lyon	D12/211
D267,562 S *	1/1983	Palmer	D12/211
D408,775 S *	4/1999	Shikado	D12/209
D441,708 S *	5/2001	Pfeiffer	D12/211
D502,136 S *	2/2005	Pfeiffer	D12/211
D528,491 S *	9/2006	Wang Hsiao	D12/204
D542,723 S *	5/2007	Bruntz	D12/204
D658,562 S *	5/2012	Junghanns	D12/211
D673,090 S *	12/2012	Lemke	D12/204

* cited by examiner

Primary Examiner — Stacia Cadmus

(74) *Attorney, Agent, or Firm* — Damian Porcari

(57) **CLAIM**

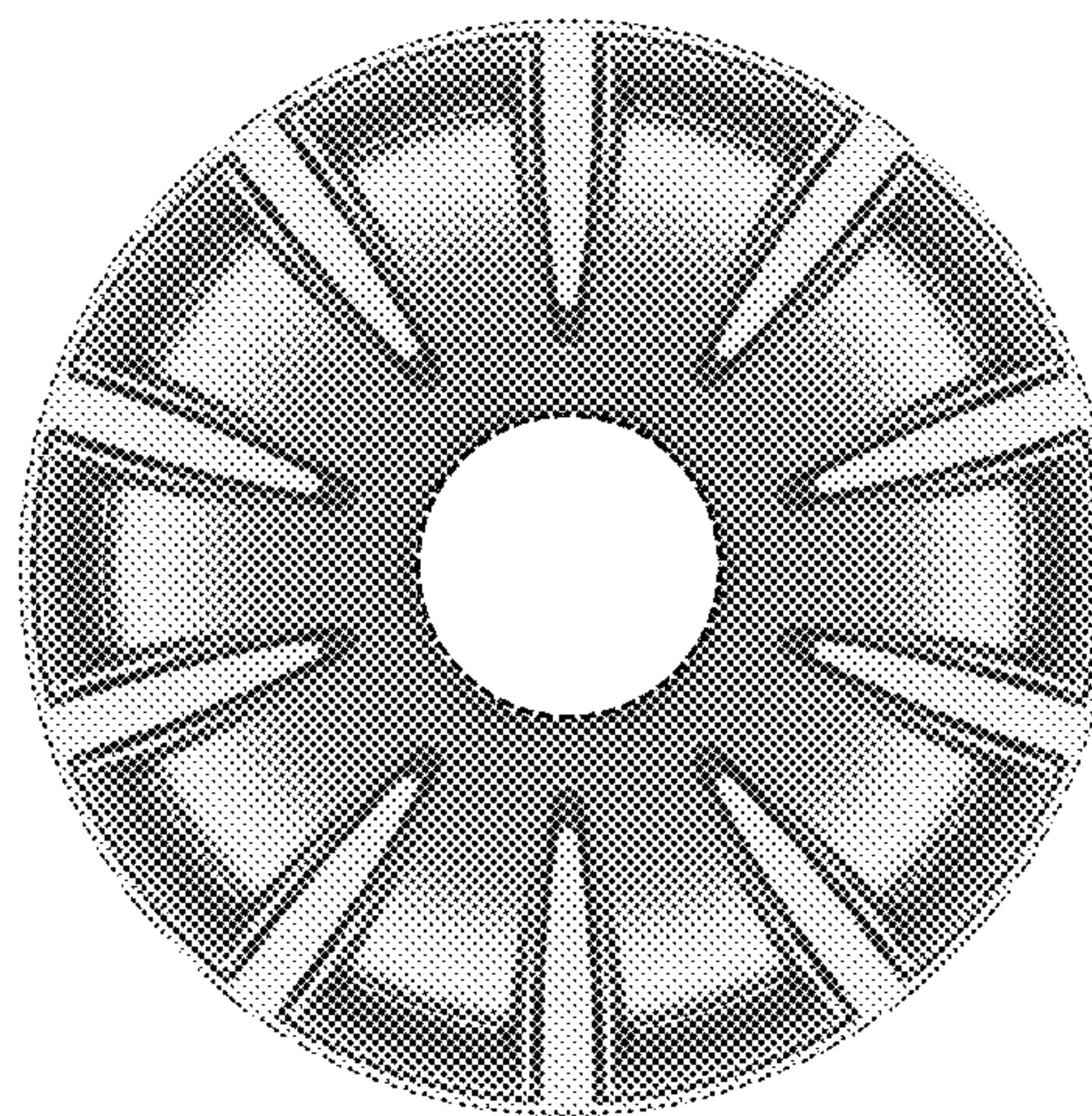
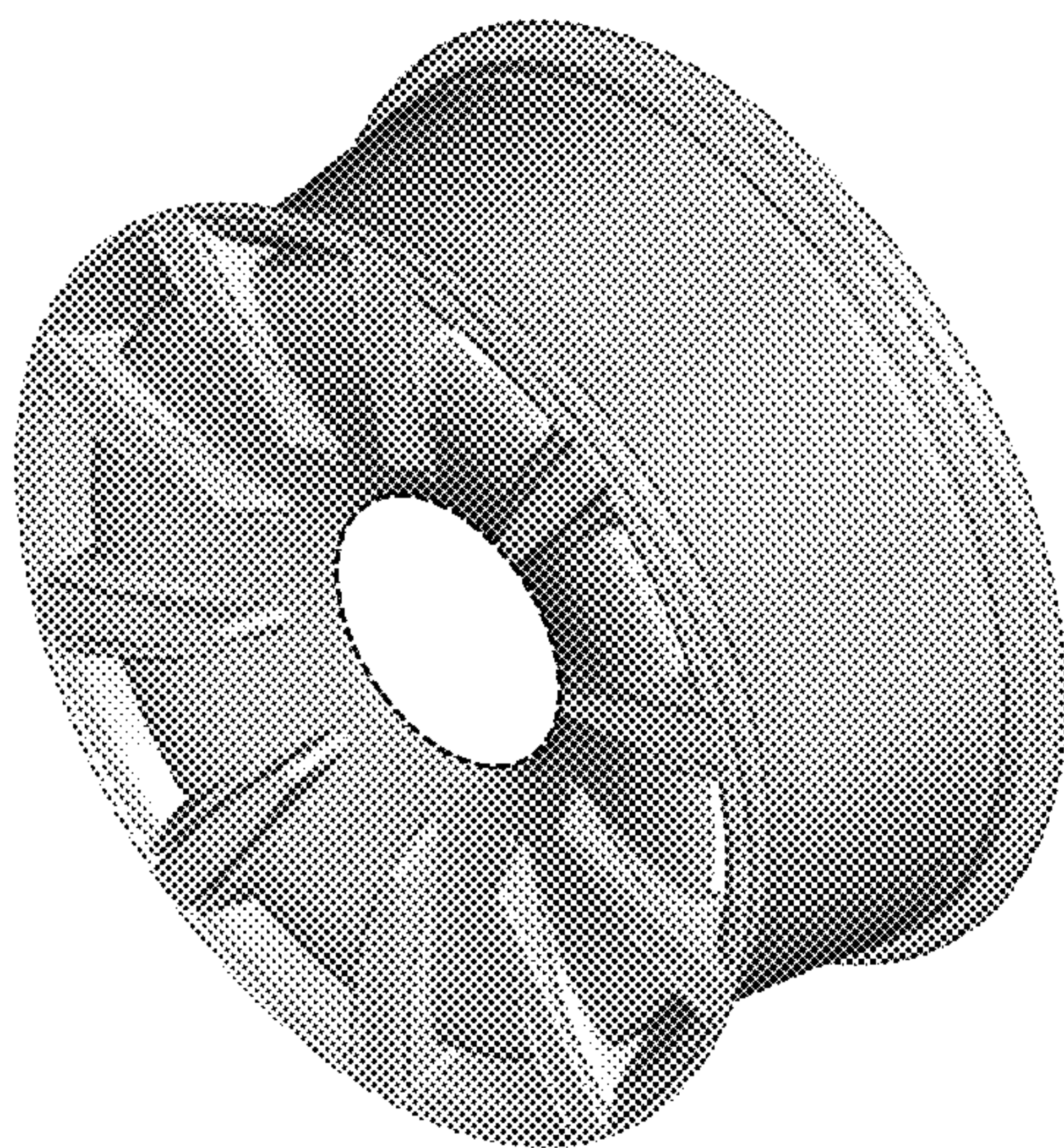
The ornamental design for a vehicle wheel, as shown and described.

DESCRIPTION

FIG. 1 is a perspective view of a vehicle wheel; and, FIG. 2 is a front view thereof.

The broken line showing of the central hub area is included for the purpose of illustrating environment and forms no part of the claimed design.

1 Claim, 2 Drawing Sheets



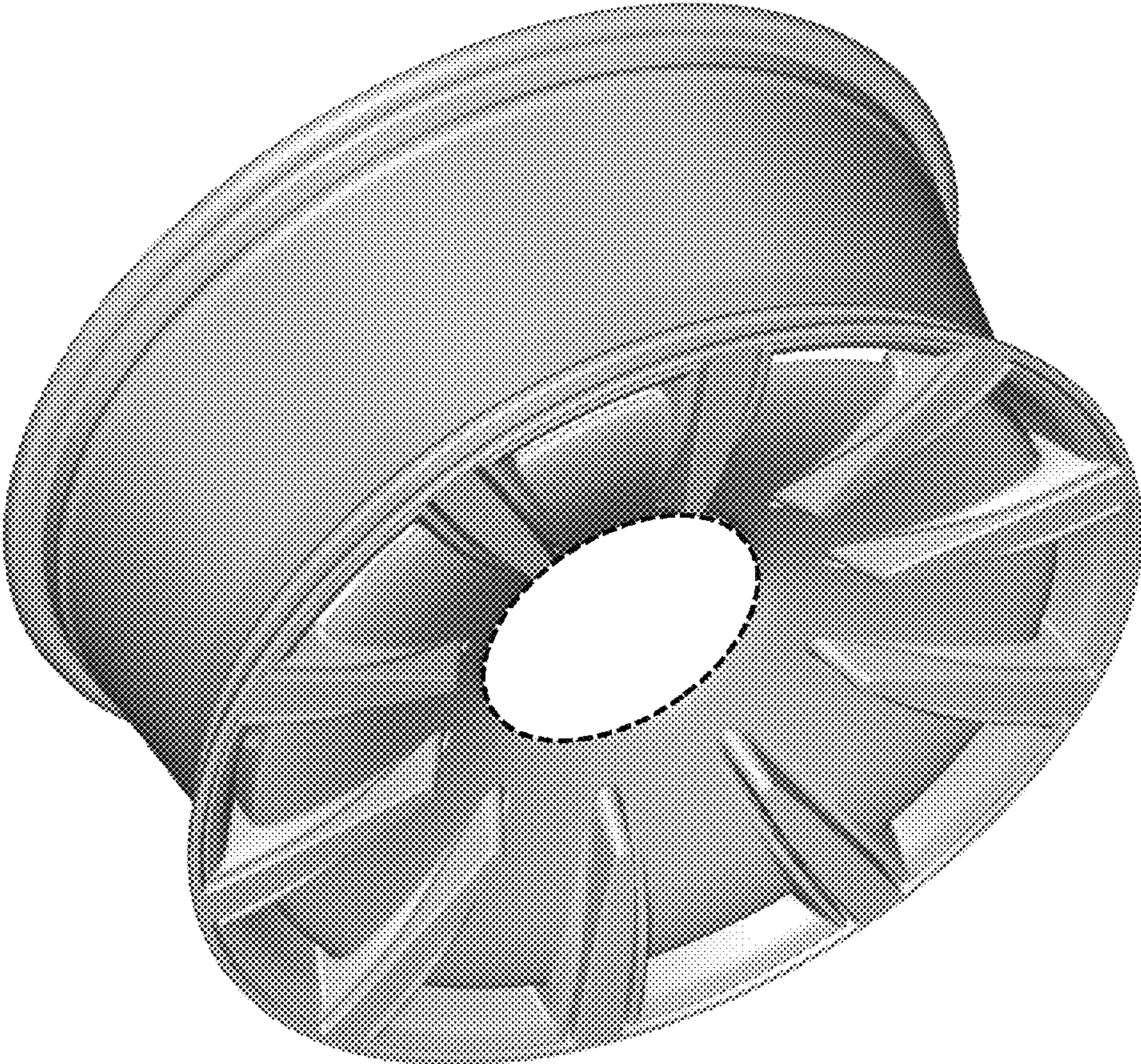


Figure 1

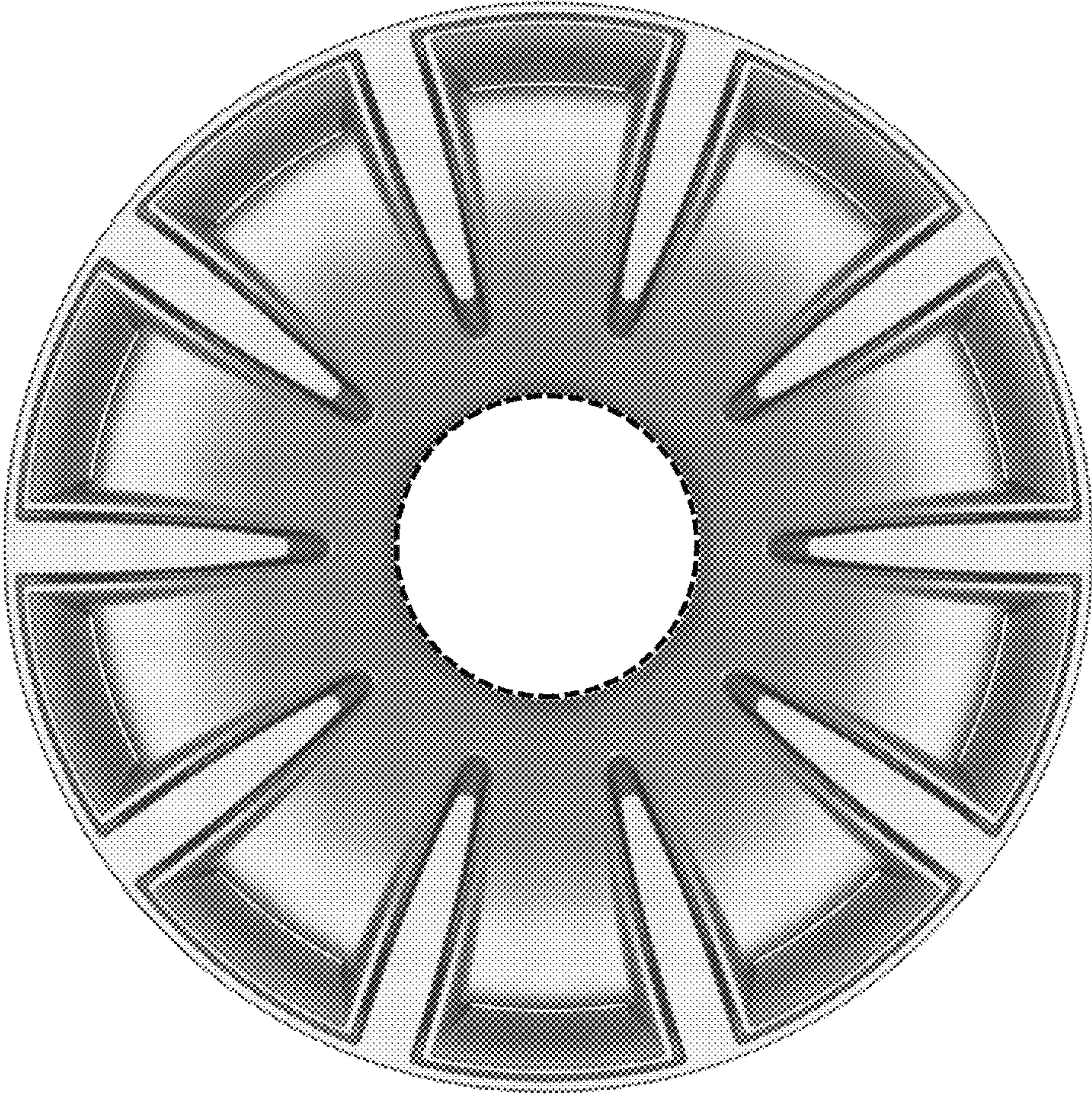


Figure 2