



US00D764992S

(12) **United States Design Patent** (10) **Patent No.:** **US D764,992 S**  
**Vena et al.** (45) **Date of Patent:** **\*\* Aug. 30, 2016**

(54) **TANK FAIRING FOR A MOTOR VEHICLE**

(71) Applicant: **Daimler AG**, Stuttgart (DE)

(72) Inventors: **Donald Vena**, Vancouver, WA (US);  
**John Brzustowicz**, Portland, OR (US)

(73) Assignee: **Daimler AG**, Stuttgart (DE)

(\*\*) Term: **14 Years**

(21) Appl. No.: **29/510,237**

(22) Filed: **Nov. 26, 2014**

(30) **Foreign Application Priority Data**

May 27, 2014 (EM) ..... 002471250-0009

May 27, 2014 (EM) ..... 002471250-0011

(51) **LOC (10) Cl.** ..... **12-16**

(52) **U.S. Cl.**  
USPC ..... **D12/196; D12/181**

(58) **Field of Classification Search**  
USPC ..... D12/90, 91, 92, 93, 96, 97, 169, 181,  
D12/190, 196, 400, 401; 296/37.7, 56, 57.1,  
296/89.11, 89.12, 91, 80.1, 184.1, 185.1,  
296/186.1, 190, 190.01; 180/90, 903;  
280/727  
CPC . B62D 35/008; B62D 25/025; B62D 23/005  
See application file for complete search history.

(56) **References Cited**

**U.S. PATENT DOCUMENTS**

D312,609 S \* 12/1990 Preslik ..... D12/203  
D381,949 S \* 8/1997 Barrett, Jr. .... D12/203  
D509,466 S \* 9/2005 Marchese ..... D12/196  
D522,944 S \* 6/2006 Beigel ..... D12/196  
D531,948 S \* 11/2006 Angelo ..... D12/196  
D532,731 S \* 11/2006 Angelo ..... D12/196  
D660,756 S \* 5/2012 Peltola ..... D12/196  
D700,119 S \* 2/2014 Laviolette ..... D12/181  
D708,107 S \* 7/2014 Jensen ..... D12/196

D719,879 S \* 12/2014 Ito ..... D12/96  
2008/0129079 A1\* 6/2008 Plett ..... B60R 3/02  
296/146.5  
2009/0033058 A1\* 2/2009 VanderGriend ..... B60R 3/00  
280/164.1

**OTHER PUBLICATIONS**

“Daimler Truck Division Announces 1200 New Jobs in USA”.  
Found online Sep. 16, 2015 at motoren.wordpress.com. Page dated  
Jan. 13, 2012. Retrieved from <https://motoren.wordpress.com/2012/01/13/daimler-truck-division-announces-1200-new-jobs-in-usa/>.  
“Transformers 4: Meet the upgraded Optimus Prime, new  
Autobots,” Hero Complex, Los Angeles Times, May 30, 2013.  
“Western Star Introduces the All-New 5700XE,” Western Star  
Trucks Press Releases, Daimler Trucks North America, Sep. 11,  
2014.

\* cited by examiner

*Primary Examiner* — Robert M Spear

*Assistant Examiner* — Kendra L Hamilton

(74) *Attorney, Agent, or Firm* — Crowell & Moring LLP

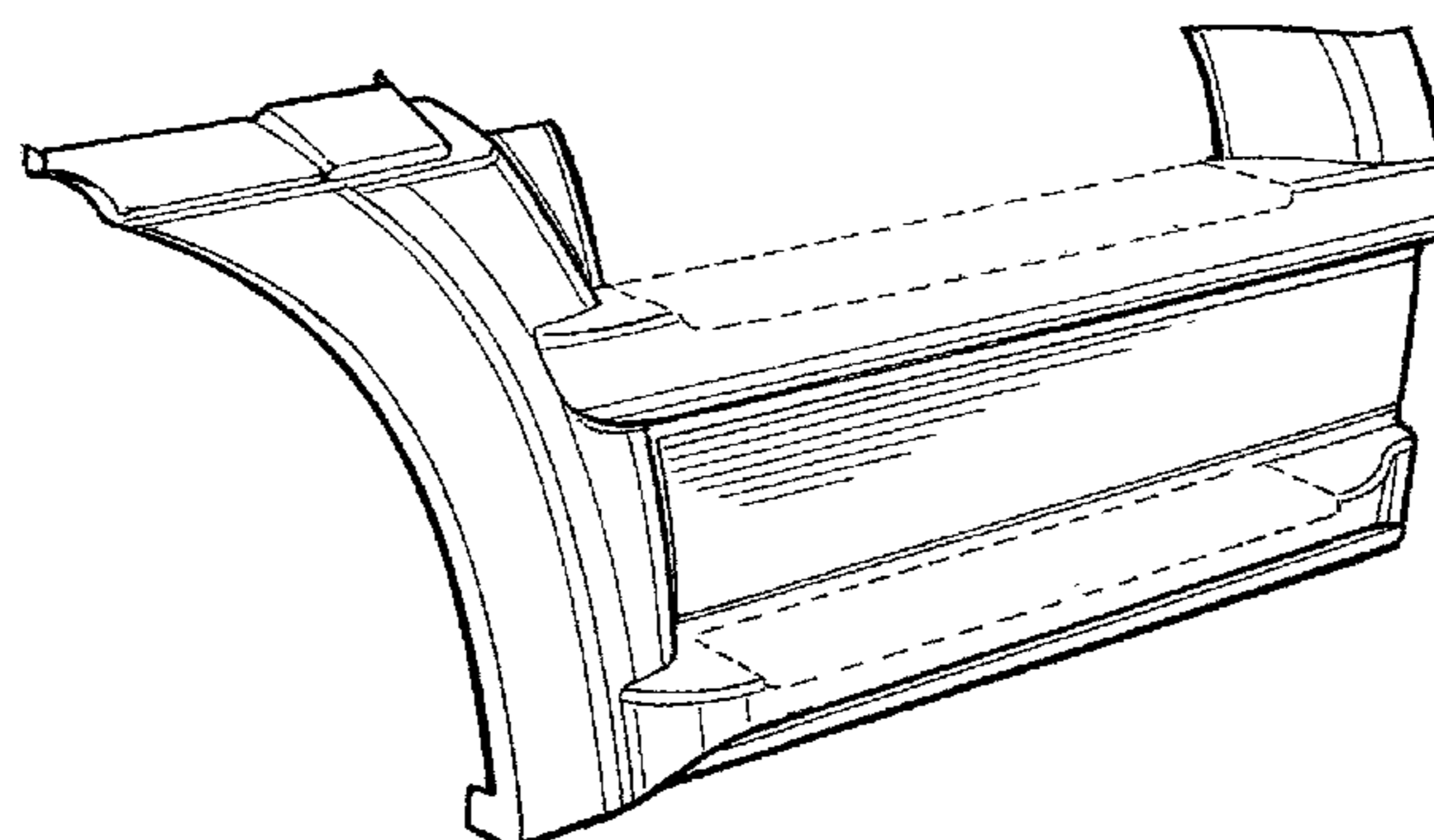
(57) **CLAIM**

The ornamental design for a tank fairing for a motor vehicle,  
as shown and described.

**DESCRIPTION**

FIG. 1 is a left, front perspective view of a first embodiment  
of a tank fairing for a motor vehicle according to the design;  
FIG. 2 is a front view thereof;  
FIG. 3 is a top view thereof;  
FIG. 4 is a bottom view thereof; and  
FIG. 5 is a left side view thereof;  
FIG. 6 is a right, front perspective view of a second  
embodiment of the tank fairing for a motor vehicle accord-  
ing to the design;  
FIG. 7 is a front view thereof;  
FIG. 8 is a top view thereof;  
FIG. 9 is a bottom view thereof; and,  
FIG. 10 is a right side view thereof.  
In the drawings, the broken lines depict environmental  
subject matter only and form no part of the claimed design.

**1 Claim, 4 Drawing Sheets**



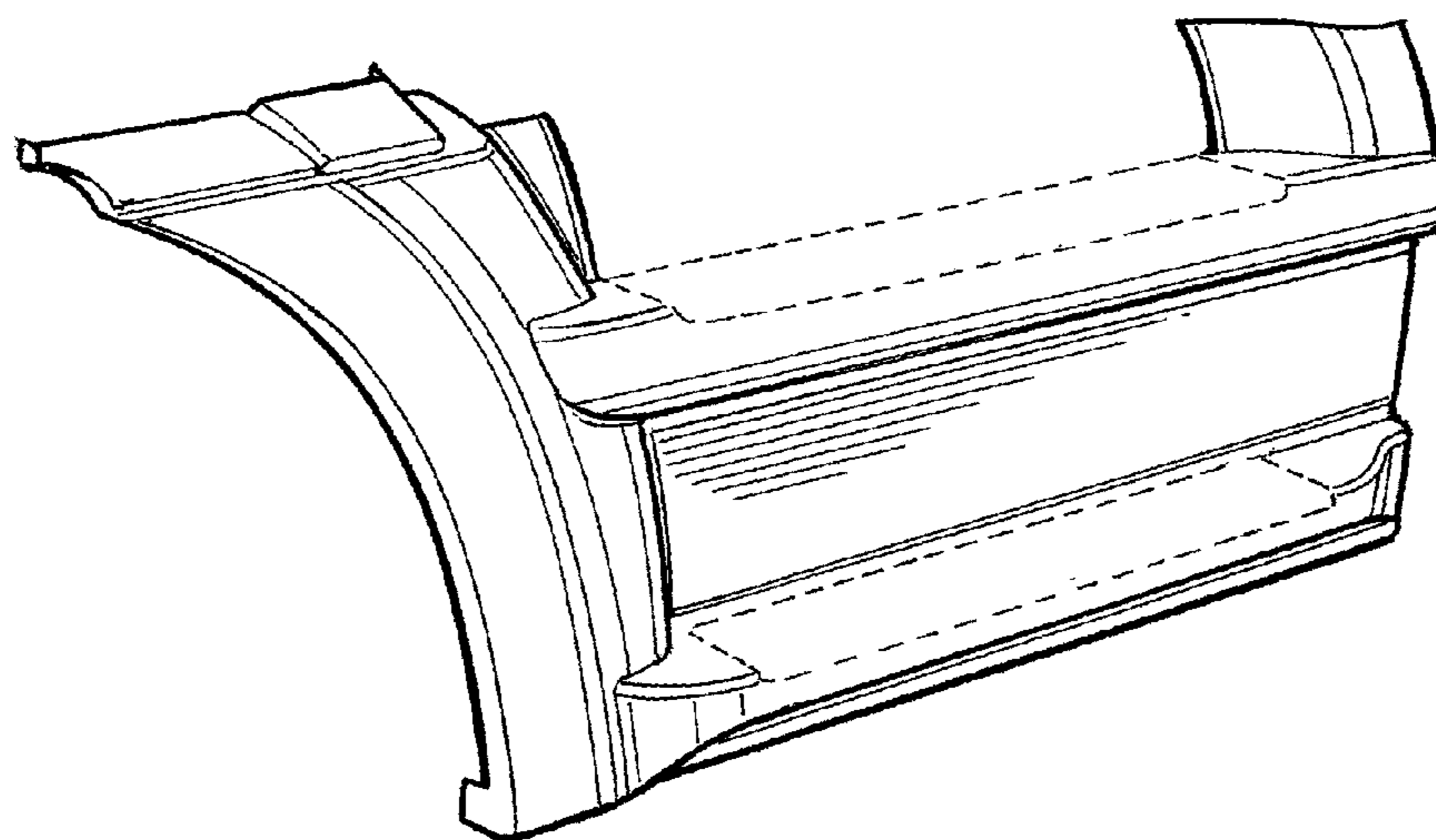


FIG. 1

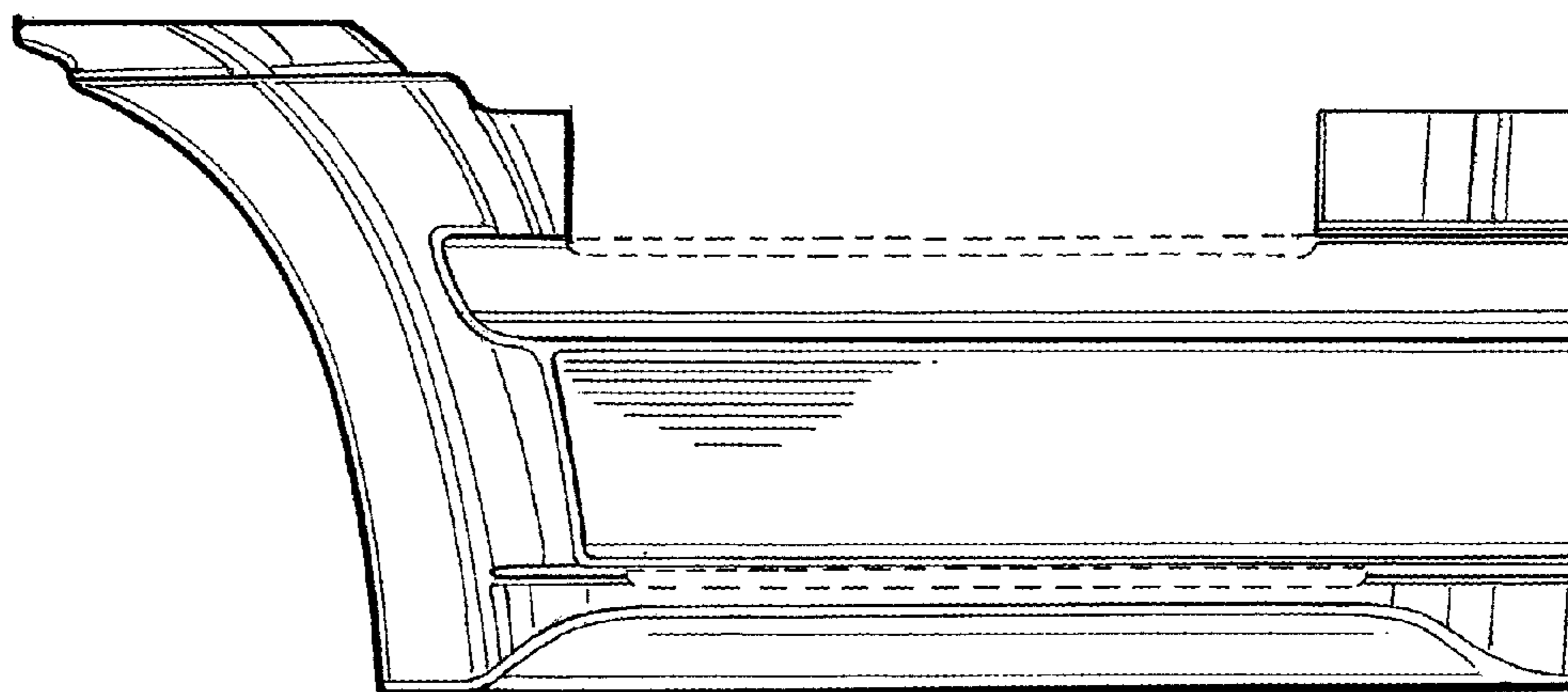
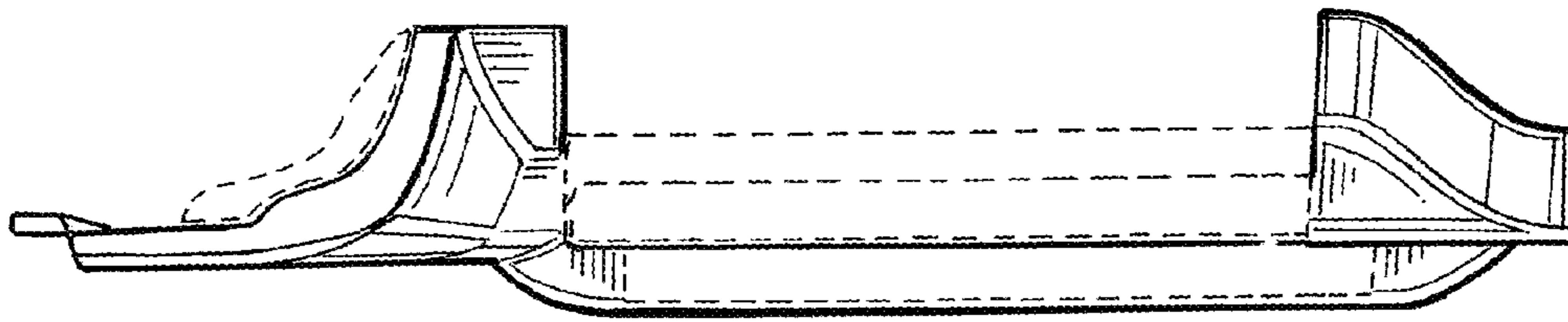
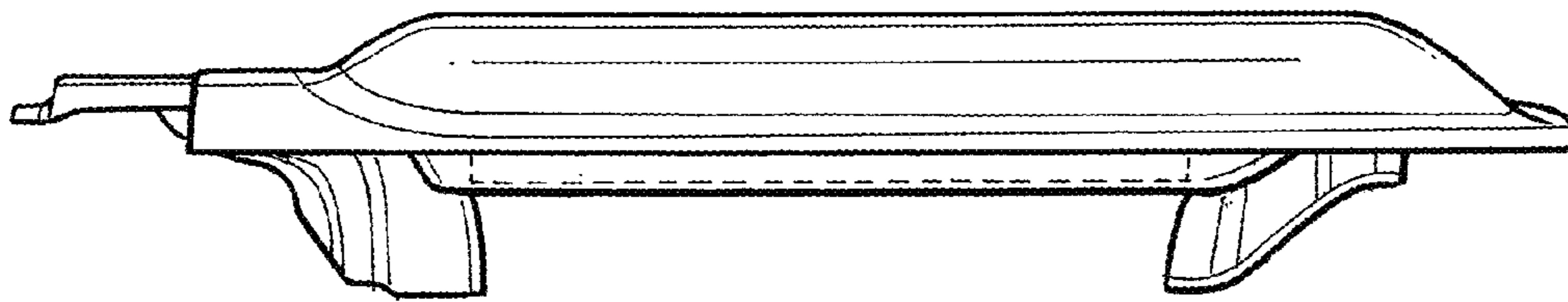


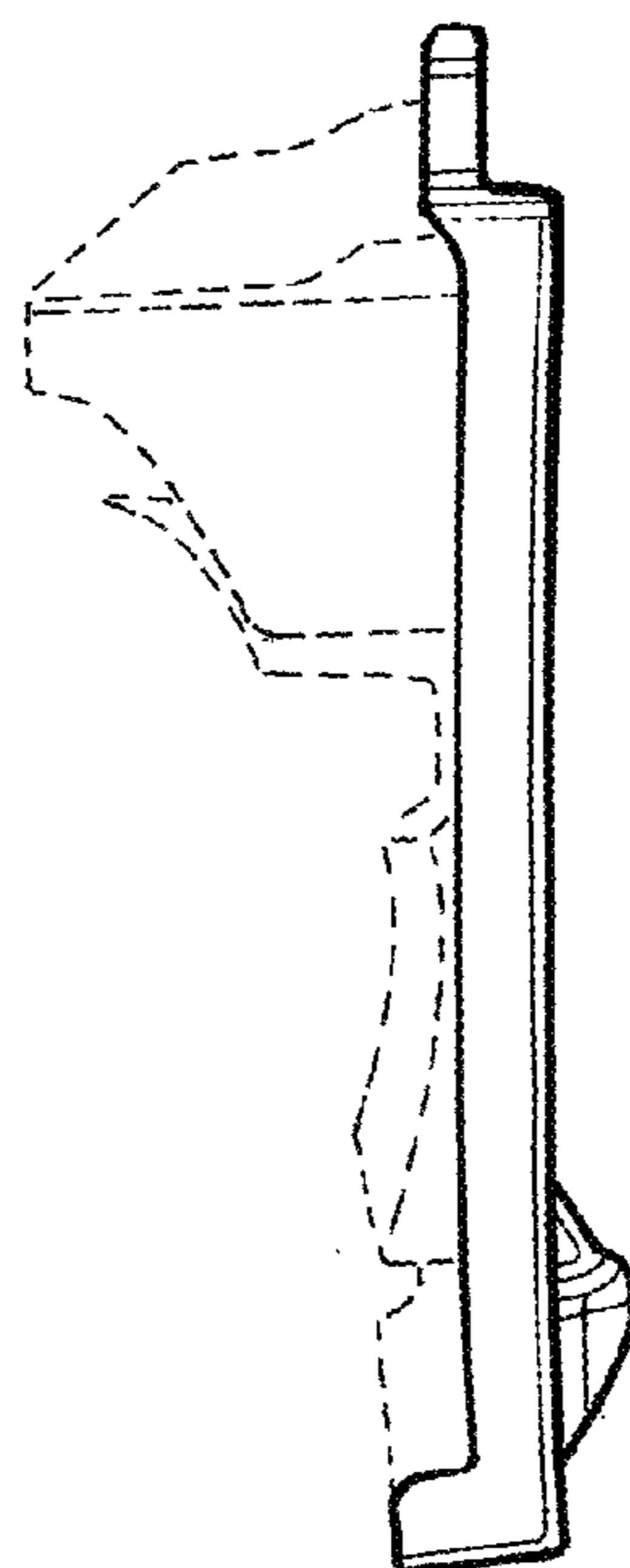
FIG. 2



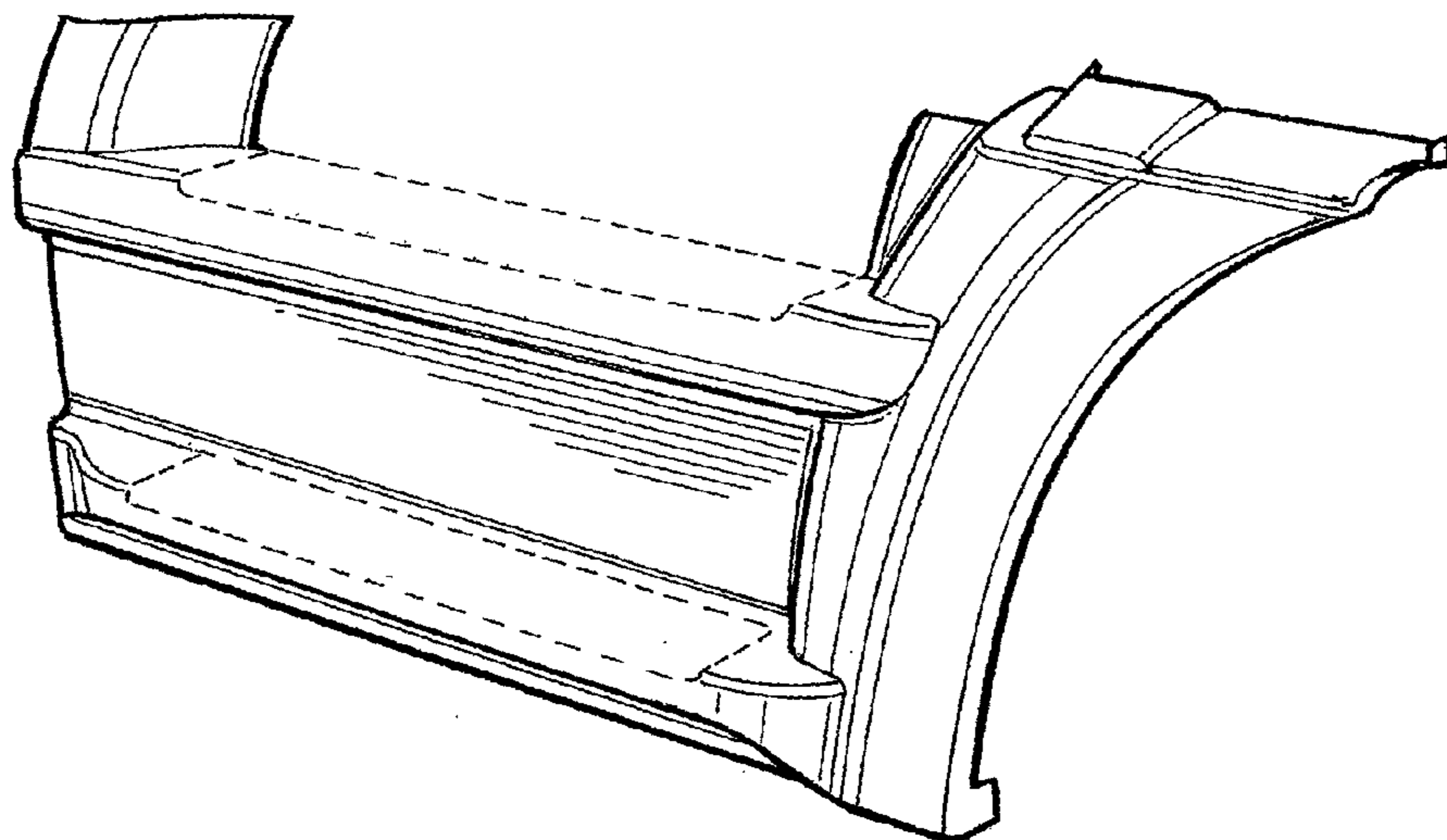
**FIG. 3**



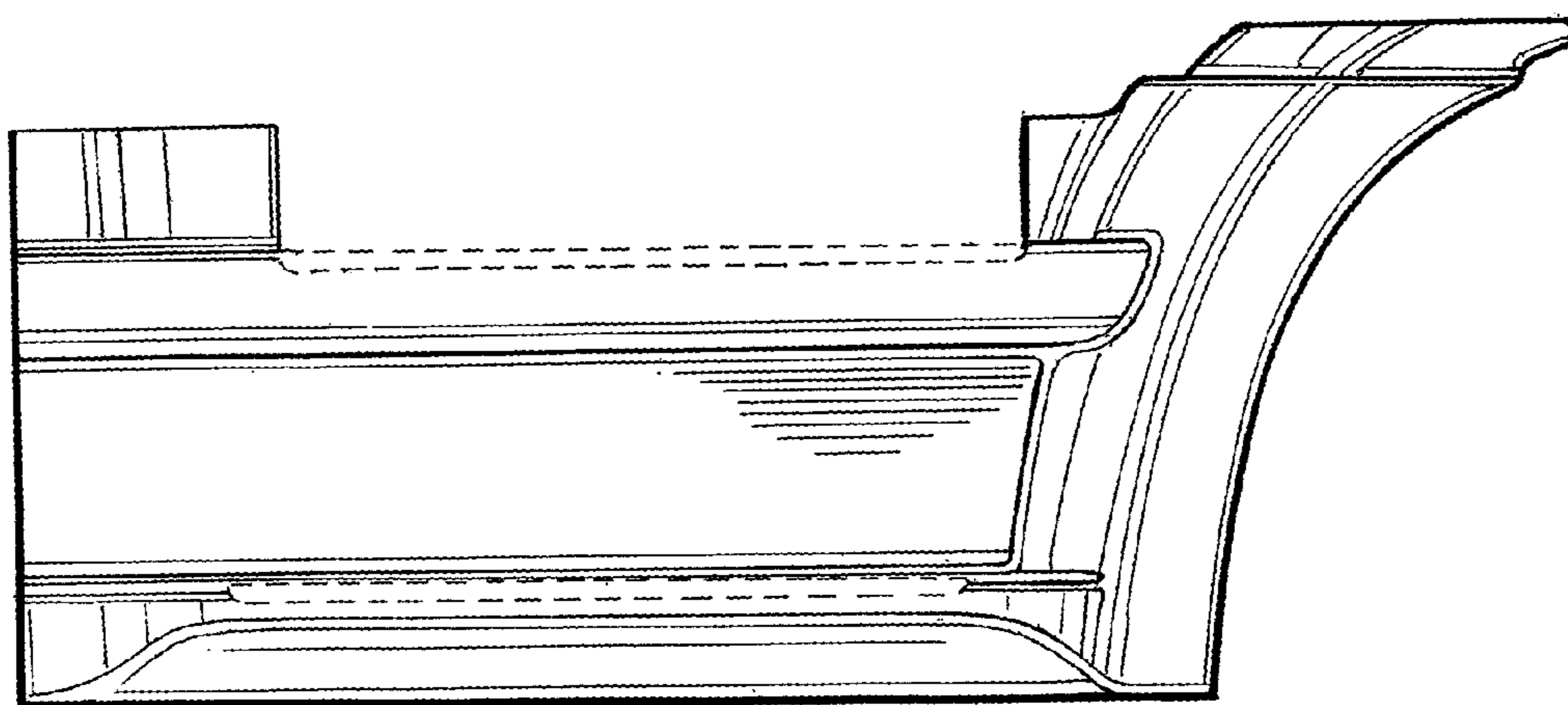
**FIG. 4**



**FIG. 5**



**FIG. 6**



**FIG. 7**



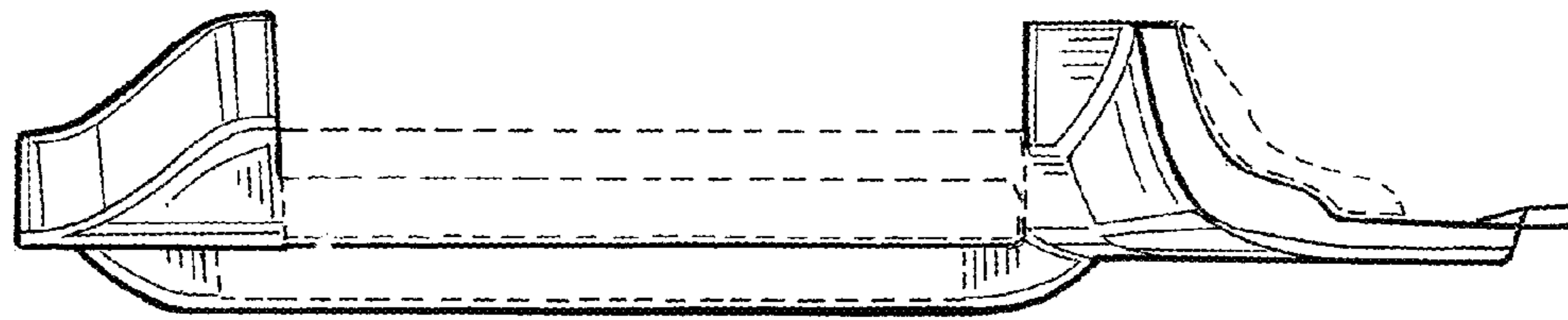


FIG. 8

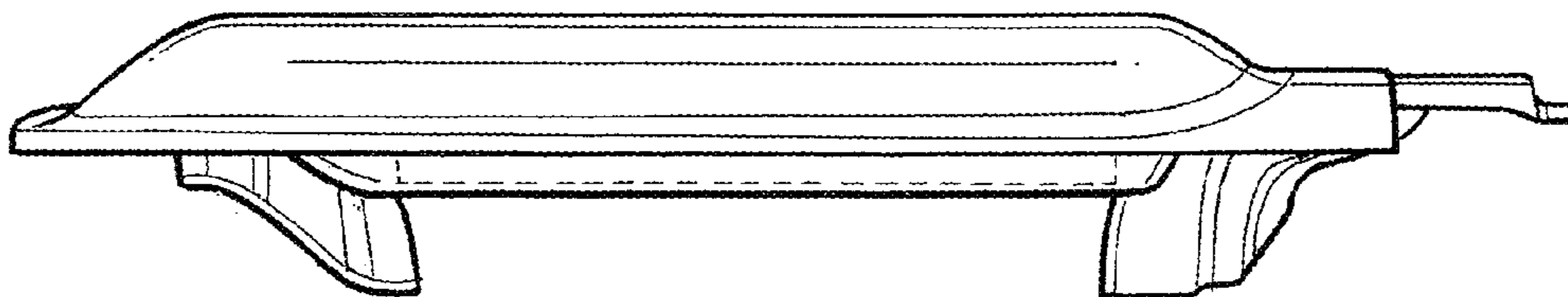


FIG. 9

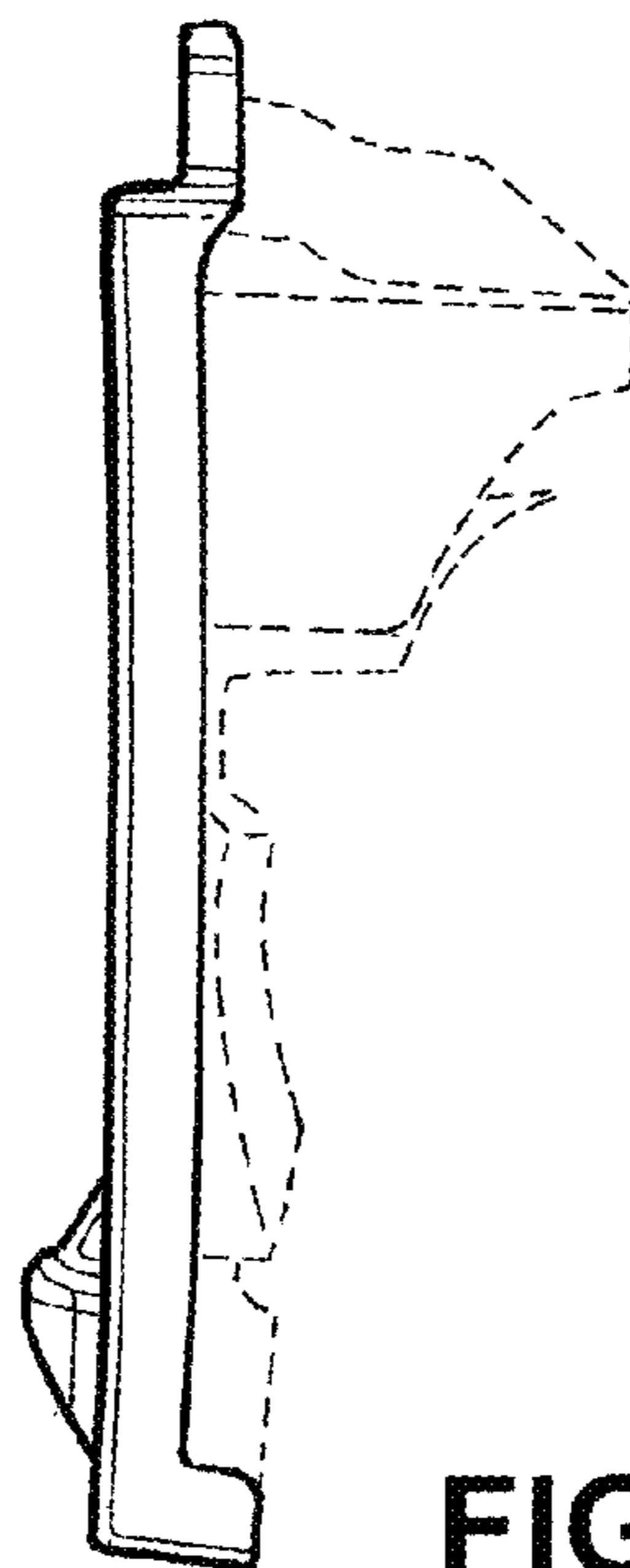


FIG. 10