

US00D764991S

(12) **United States Design Patent**
Woodhouse et al.

(10) **Patent No.:** **US D764,991 S**

(45) **Date of Patent:** **** Aug. 30, 2016**

(54) **VEHICLE INTERIOR**

(71) Applicant: **Ford Motor Company**, Dearborn, MI (US)

(72) Inventors: **David Woodhouse**, Troy, MI (US);
Bonghoon L Chung, Farmington Hills, MI (US); **Moray S Callum**, Ann Arbor, MI (US); **Soo Y Kang-Morales**, Northville, MI (US)

(73) Assignee: **Ford Motor Company**, Dearborn, MI (US)

(**) Term: **14 Years**

(21) Appl. No.: **29/522,285**

(22) Filed: **Mar. 30, 2015**

(51) **LOC (10) Cl.** **12-08**

(52) **U.S. Cl.**
USPC **D12/195**

(58) **Field of Classification Search**
USPC D12/195, 193, 414, 190, 196; D15/17, D15/28; D10/46, 98, 102-103; D8/302-303
CPC B60J 5/04; B60N 2/466; B60N 2/4693; B60R 13/0243; B60R 13/02
See application file for complete search history.

(56) **References Cited**

U.S. PATENT DOCUMENTS

D361,972 S * 9/1995 Ney D12/195
D421,948 S * 3/2000 Dryburgh D12/195

D524,211 S * 7/2006 Tsuchiya D12/195
D630,987 S * 1/2011 Edwards D12/195
D632,237 S * 2/2011 Green D12/195
D693,754 S * 11/2013 Balko D12/195
D718,694 S * 12/2014 Karacabey D12/195
2006/0154028 A1* 7/2006 Dooley B29C 45/14508
428/138
2010/0078954 A1* 4/2010 Liu B60N 2/4686
296/24.34

* cited by examiner

Primary Examiner — Katrina A Betton

(74) *Attorney, Agent, or Firm* — Damian Porcari

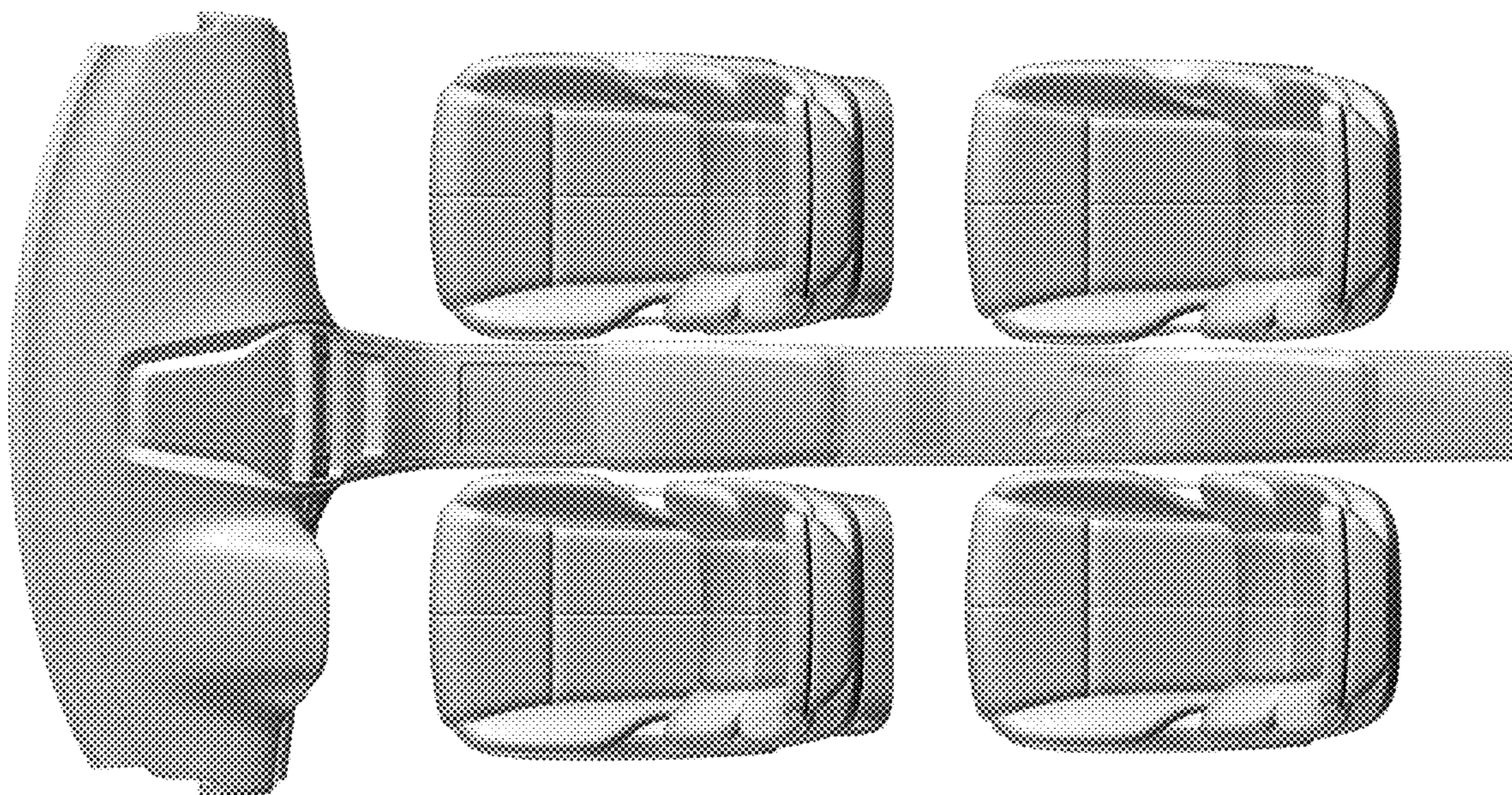
(57) **CLAIM**

The ornamental design for a vehicle interior, as shown and described.

DESCRIPTION

FIG. 1 is a left rear perspective view of a vehicle interior; FIG. 2 is a left front perspective view thereof; FIG. 3 is a right rear perspective view thereof; FIG. 4 is a top plan view thereof, and top perspective view of the floor portion thereof; FIG. 5 is a left side elevational view taken from the section line Figure 7-7 of FIG. 5 thereof; FIG. 6 is a right side elevational view thereof; FIG. 7 is a front elevational view thereof; and, FIG. 8 is a rear elevational view thereof.
In the drawings, the broken lines in the figures depict portions of the article that form no part of the claimed design.

1 Claim, 8 Drawing Sheets



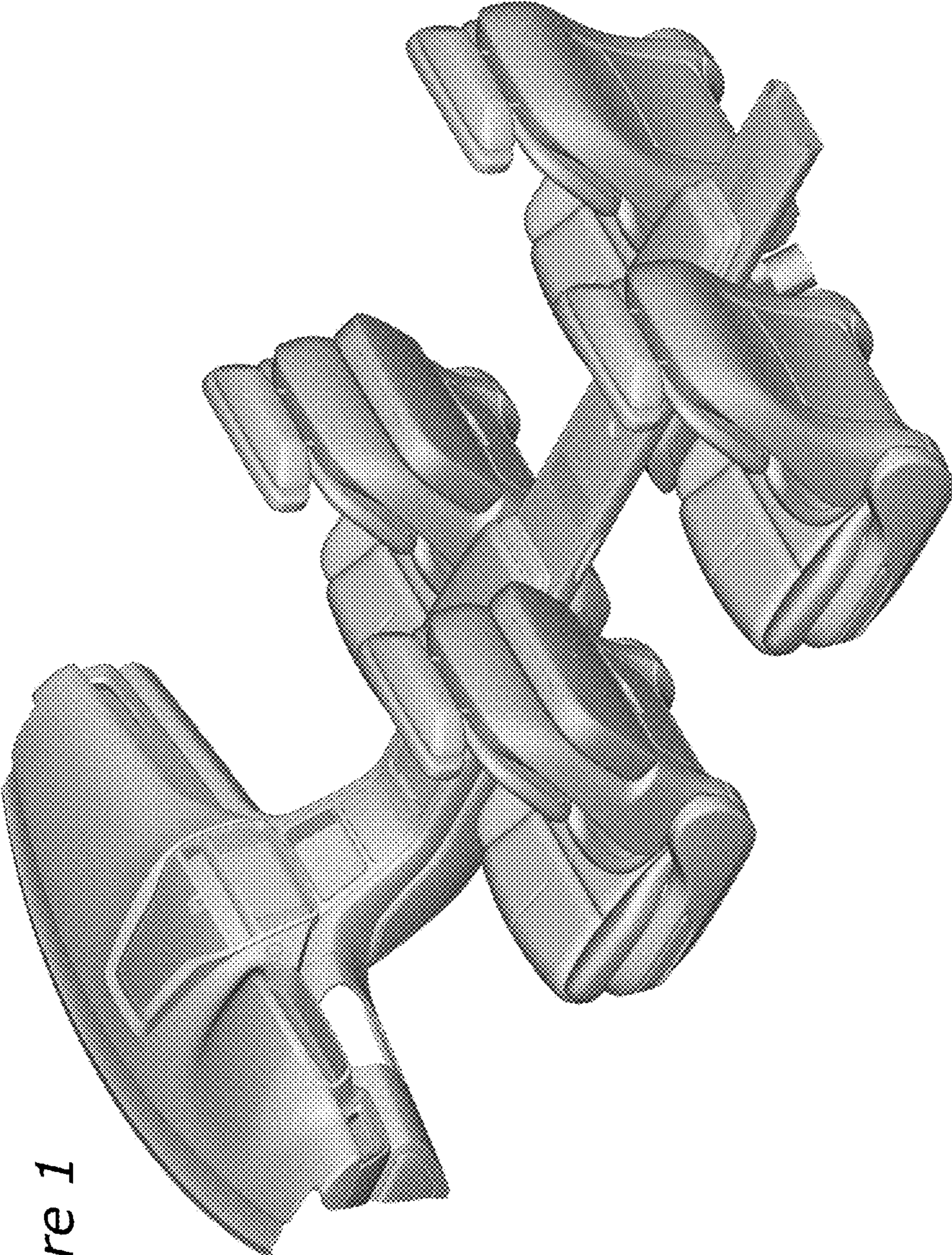


Figure 1

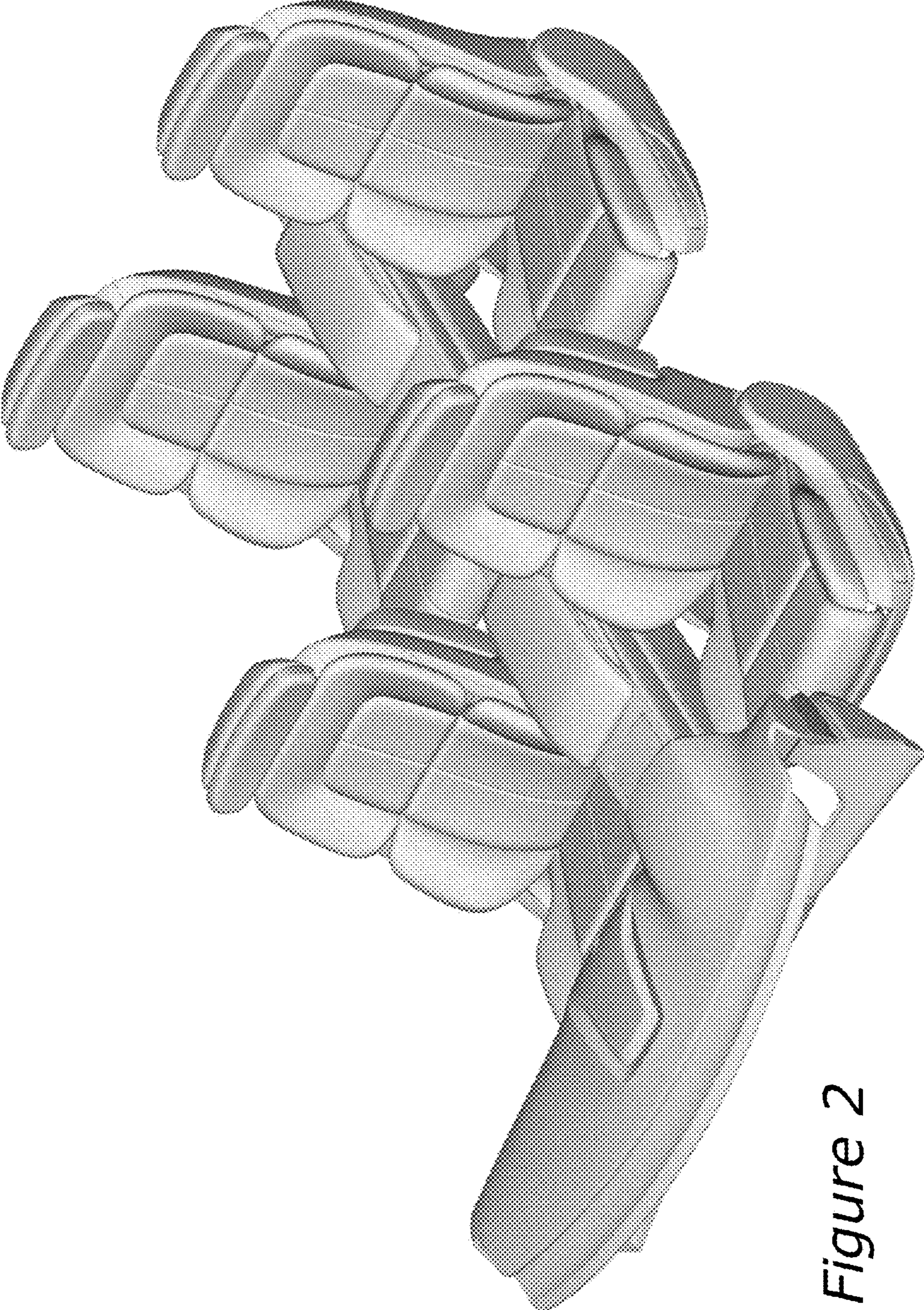
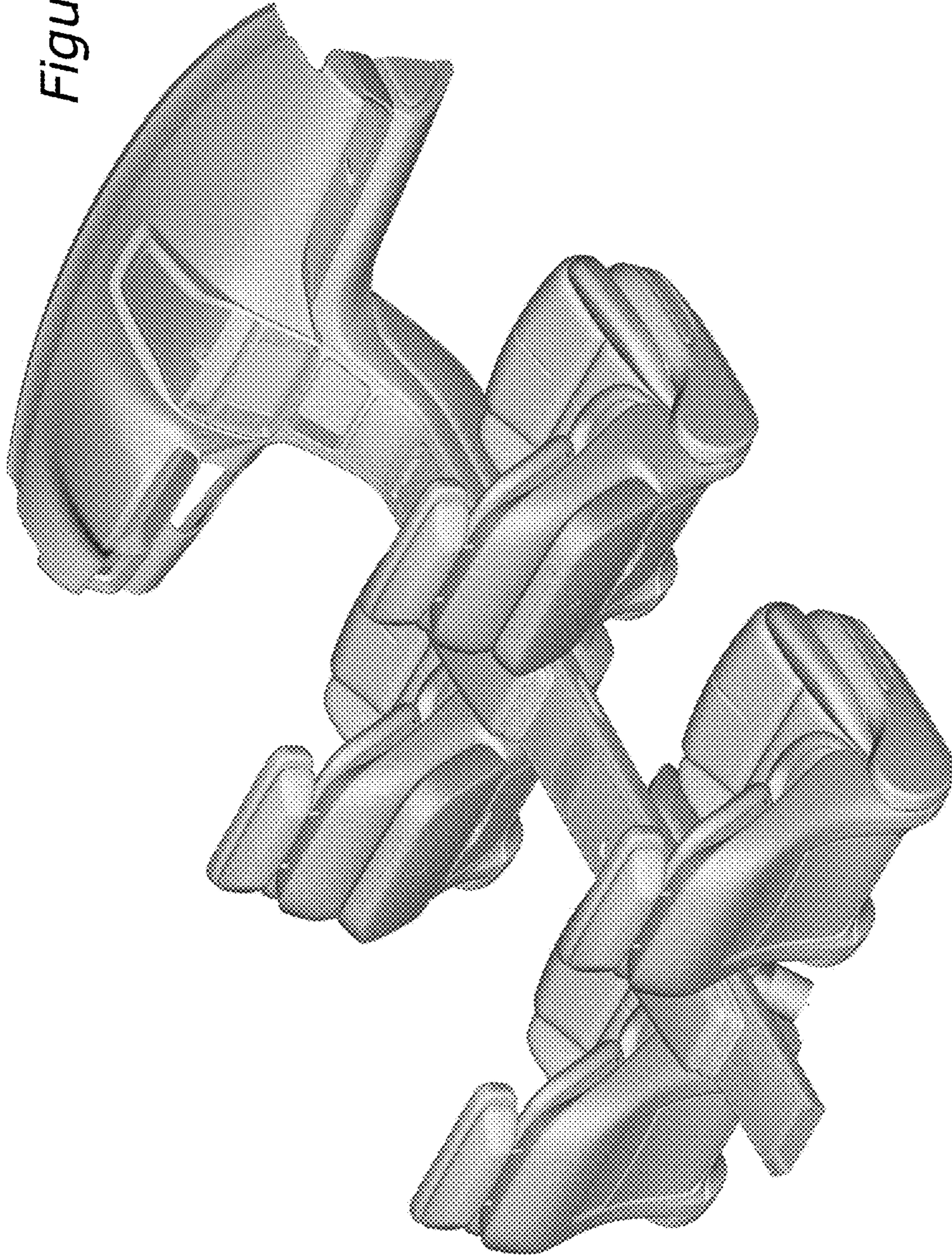


Figure 2

Figure 3



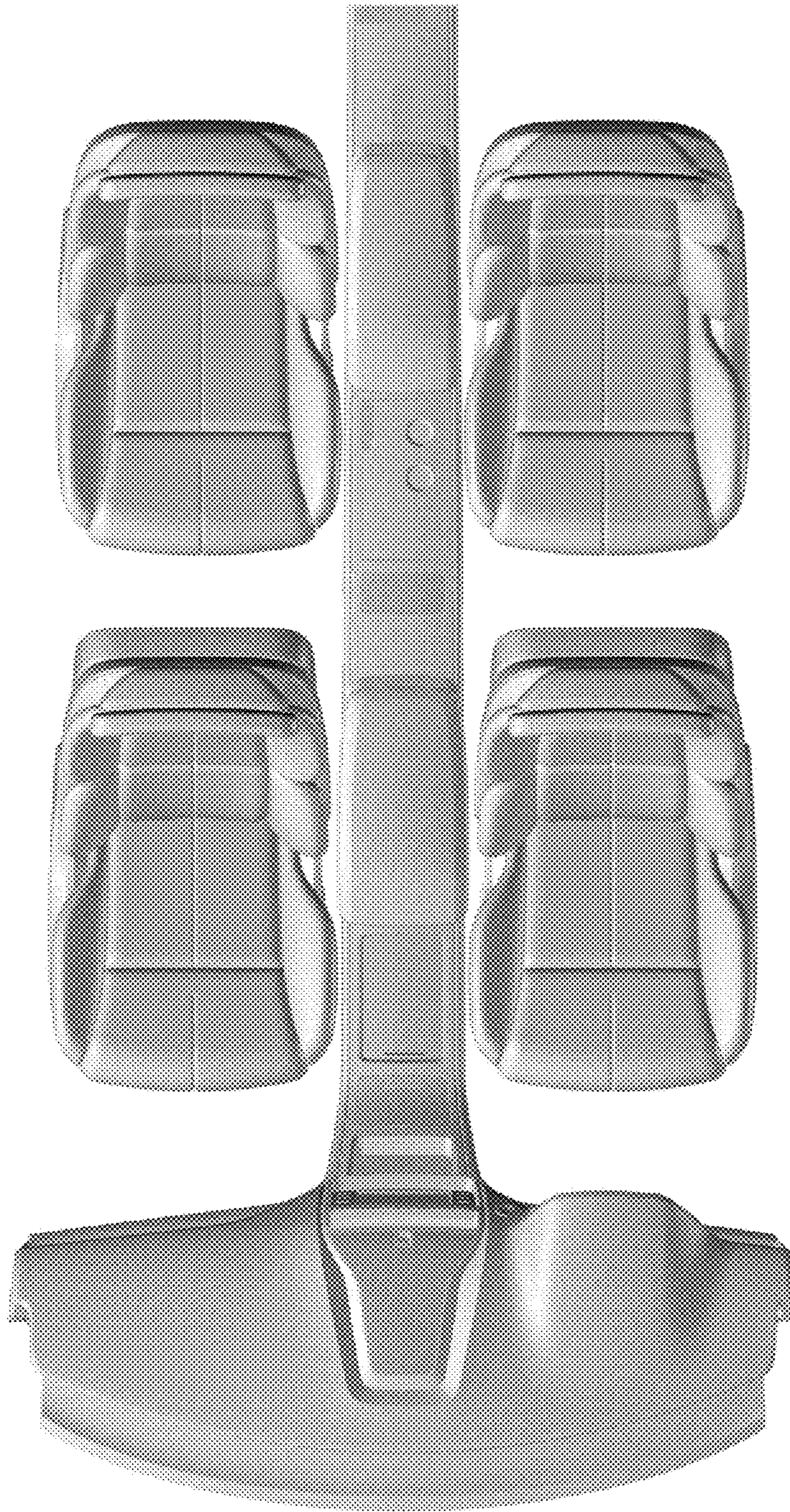


Figure 4

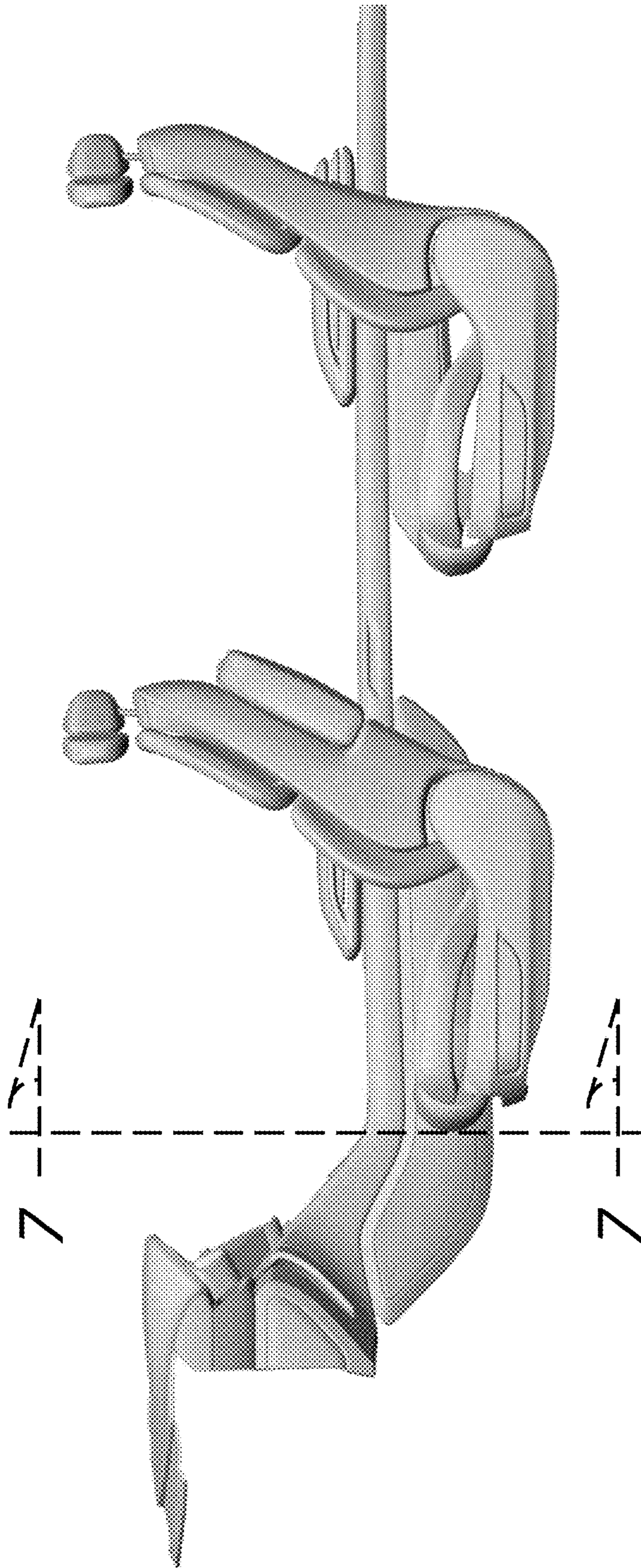


Figure 5

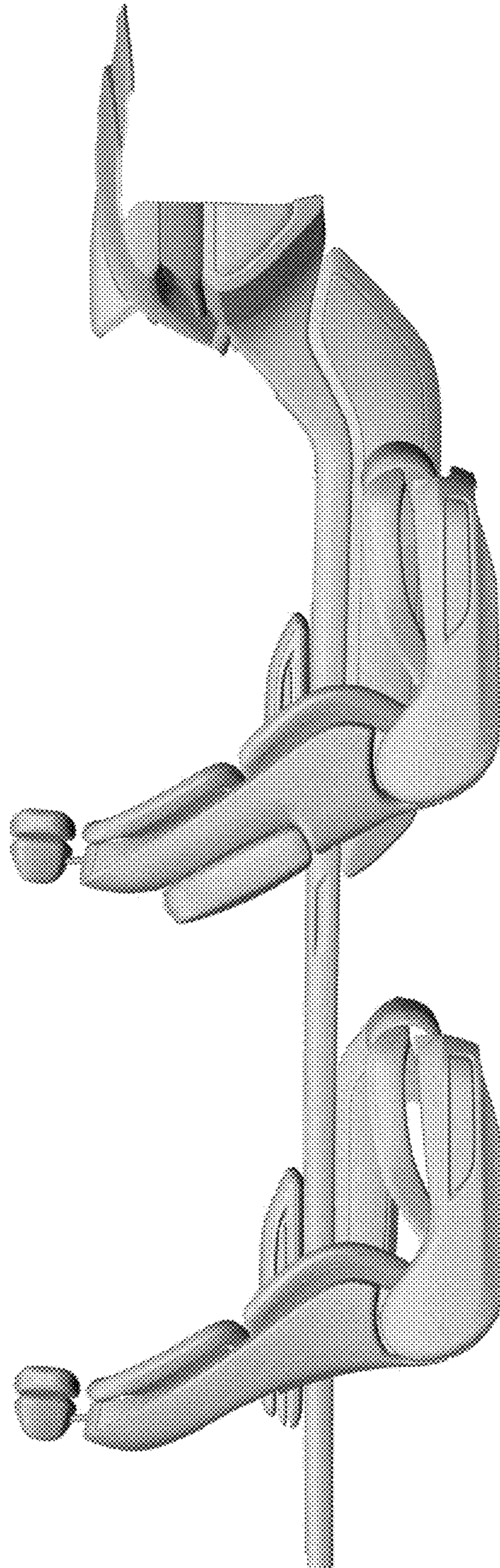


Figure 6

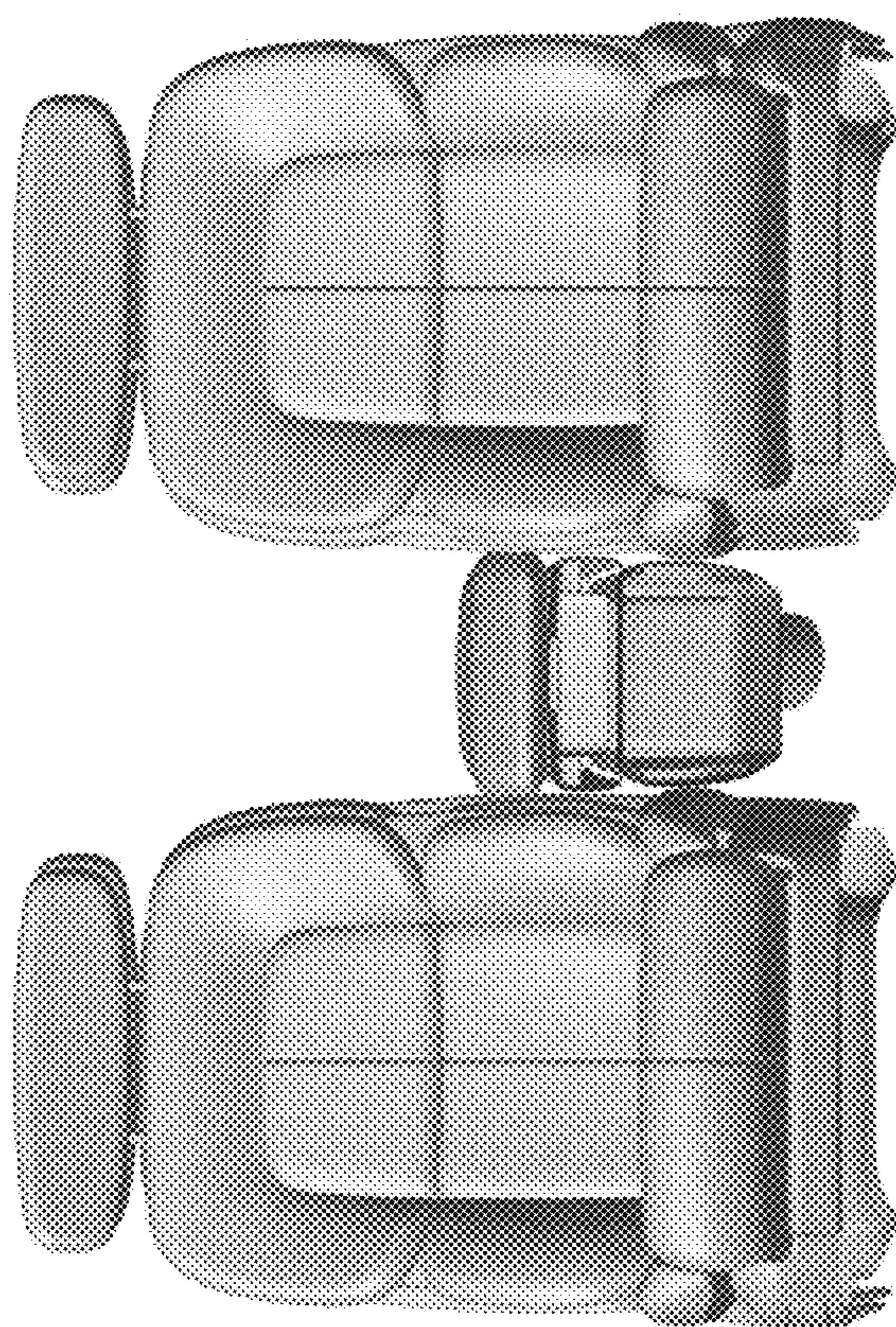


Figure 7

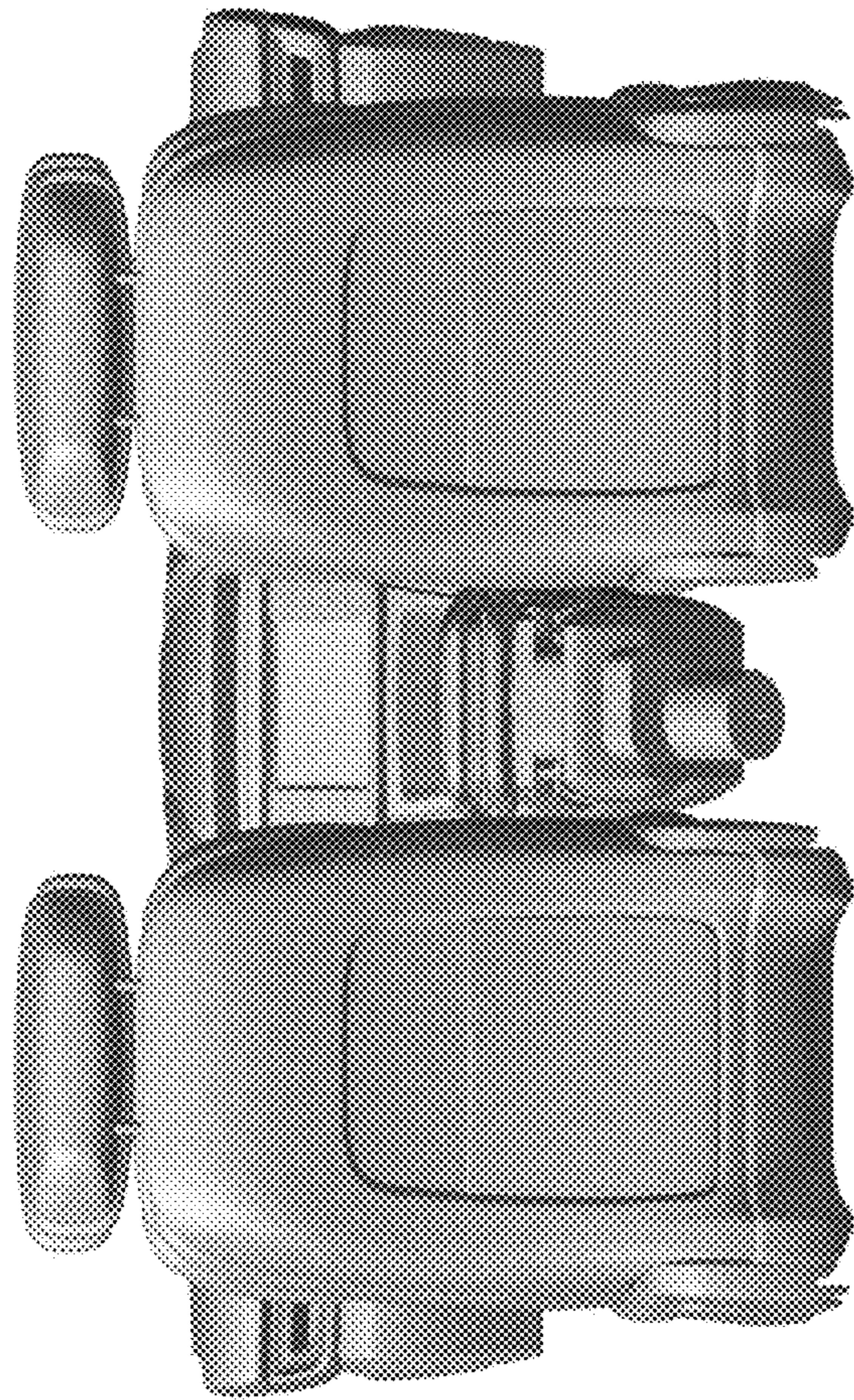


Figure 8