



US00D764990S

(12) **United States Design Patent**
Sethapun et al.

(10) **Patent No.:** **US D764,990 S**

(45) **Date of Patent:** **** Aug. 30, 2016**

(54) **SWITCH FOR AN AIRCRAFT INTERIOR**

(71) Applicant: **Gulfstream Aerospace Corporation,**
Savannah, GA (US)

(72) Inventors: **Kevin Sethapun,** Savannah, GA (US);
Andrew Fulford, Northville, MI (US);
Aram Kasparian, Savannah, GA (US)

(73) Assignee: **Gulfstream Aerospace Corporation,**
Savannah, GA (US)

(**) Term: **14 Years**

(21) Appl. No.: **29/506,137**

(22) Filed: **Oct. 13, 2014**

(51) **LOC (10) Cl.** **12-16**

(52) **U.S. Cl.**
USPC **D12/192**

(58) **Field of Classification Search**
USPC D12/192, 415, 110, 114; D15/17, 28;
D10/46, 98, 102-103, 122-127
CPC G08G 1/093883; G01C 21/16
See application file for complete search history.

(56) **References Cited**

U.S. PATENT DOCUMENTS

D654,415 S * 2/2012 Mizuno D12/192
D656,440 S * 3/2012 Klein D12/192

D680,054 S * 4/2013 Richardson D12/192
D702,169 S * 4/2014 Bachorski D12/192
D705,146 S * 5/2014 Takagi D12/192
D721,995 S * 2/2015 Johansson D12/192
D727,814 S * 4/2015 Paulke D12/192
D746,747 S * 1/2016 Shapiro D12/192

* cited by examiner

Primary Examiner — Katrina A Betton

(74) *Attorney, Agent, or Firm* — Ingrassia, Fisher & Lorenz
PC

(57) **CLAIM**

The ornamental design for a switch for an aircraft interior,
as shown and described.

DESCRIPTION

FIG. 1 is a front perspective view of a switch for an aircraft
interior;

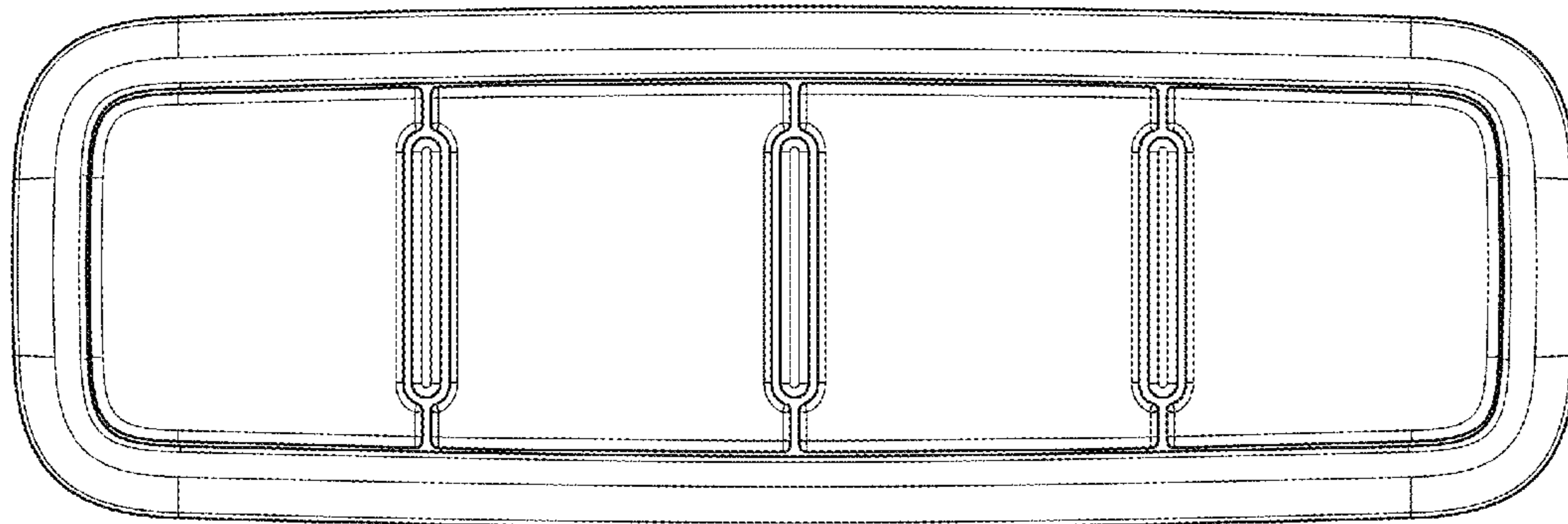
FIG. 2 is a front view of the switch for an aircraft interior of
FIG. 1, the back view is not illustrated and forms no part of
the claimed design;

FIG. 3 is a bottom view of the switch for an aircraft interior
of FIG. 1, the top view is identical to the bottom view and
is not illustrated; and,

FIG. 4 is a first side view of the switch for an aircraft interior
of FIG. 1, the second side view is identical to the first side
view and is not illustrated.

The broken lines illustrate portions that form no part of the
claimed design.

1 Claim, 2 Drawing Sheets



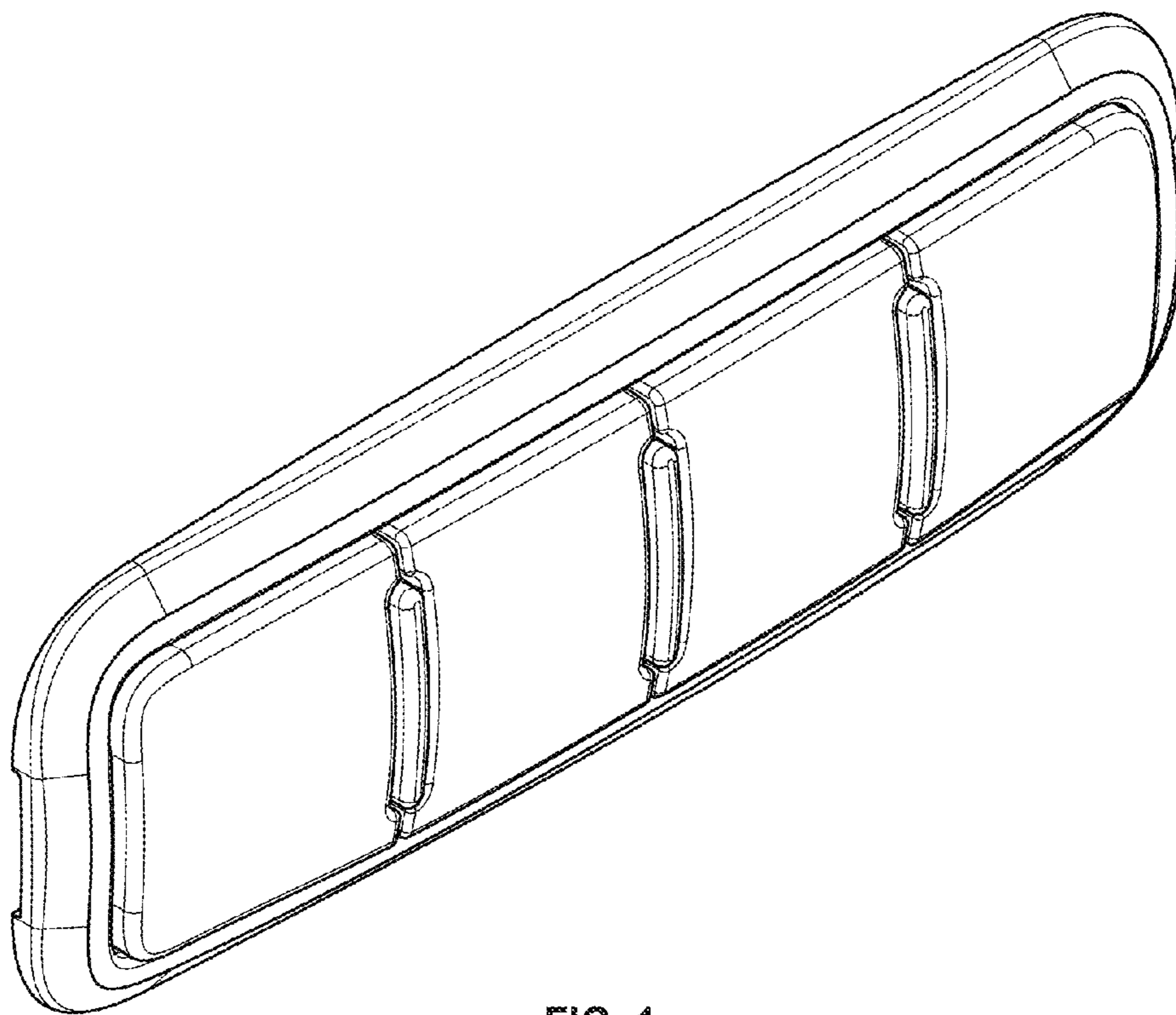


FIG. 1

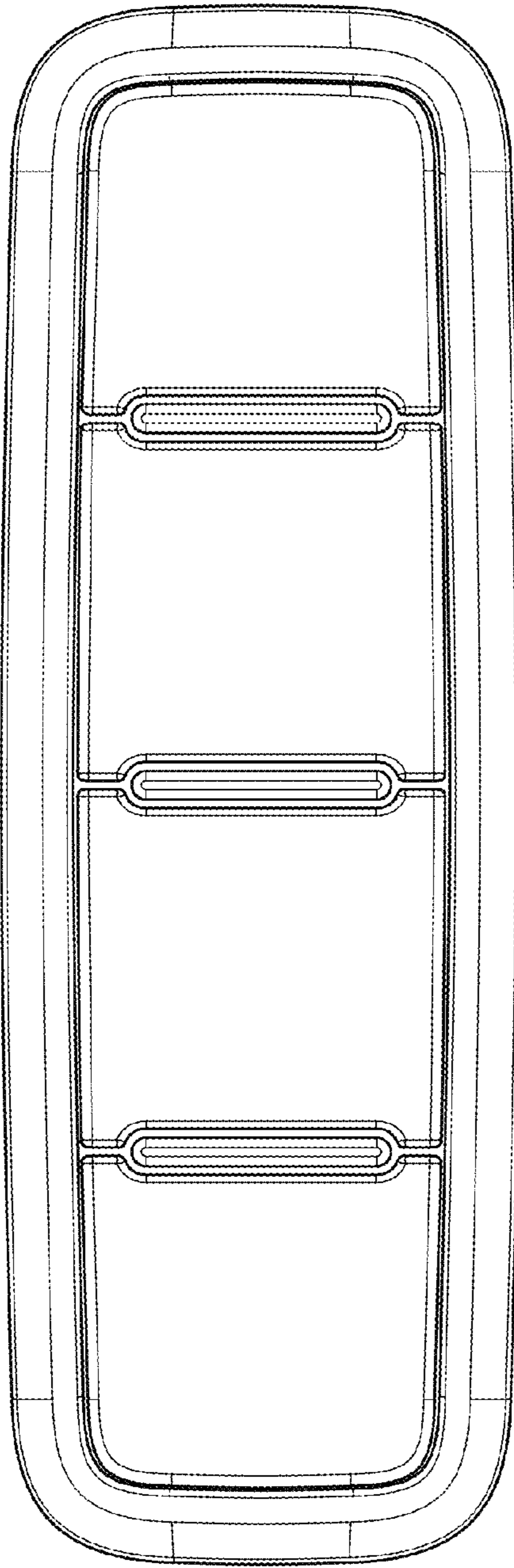


FIG. 2

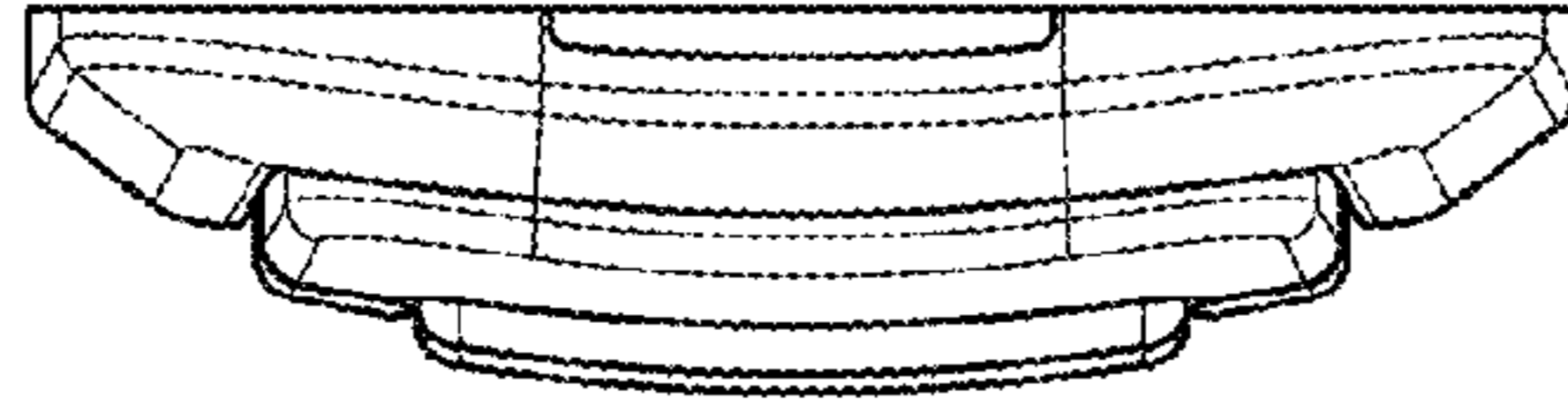


FIG. 4

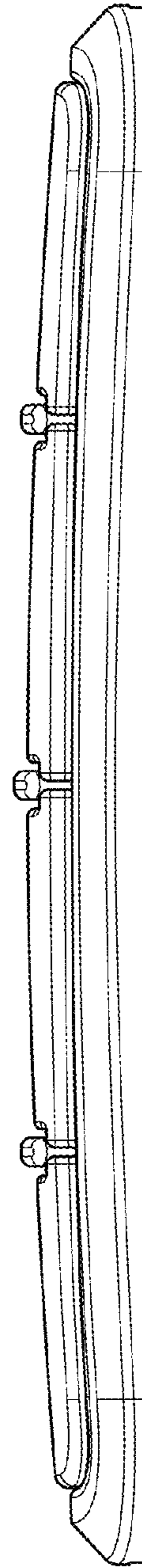


FIG. 3