



US00D764989S

(12) **United States Design Patent**
Marcus et al.

(10) **Patent No.:** **US D764,989 S**

(45) **Date of Patent:** **** Aug. 30, 2016**

(54) **ILLUMINATED VANITY MIRROR VISOR**

(71) Applicant: **Marcus Automotive, LLC**, Holland, MI (US)

(72) Inventors: **Jonathan P. Marcus**, Holland, MI (US); **Brian R. Dexter**, Grand Haven, MI (US)

(73) Assignee: **Marcus Automotive, LLC**, Holland, MI (US)

(**) Term: **15 Years**

(21) Appl. No.: **29/531,859**

(22) Filed: **Jun. 30, 2015**

(51) **LOC (10) Cl.** **12-16**

(52) **U.S. Cl.**
USPC **D12/191**

(58) **Field of Classification Search**
USPC D12/191, 181, 183-185, 106, 417, D12/311-312, 400
CPC B60J 3/02; B60J 3/0208
See application file for complete search history.

(56) **References Cited**

U.S. PATENT DOCUMENTS

5,626,381 A *	5/1997	Gervasoni	B60J 3/0208
				296/97.6
D398,893 S *	9/1998	Lyons	D12/191
D431,805 S *	10/2000	Baltazar	D12/191
D501,166 S *	1/2005	Tuccinardi	D12/191
D504,367 S *	4/2005	Maxwell	D12/191

D522,943 S *	6/2006	Opoku-Agyemang	D12/191
D526,259 S *	8/2006	Votz	D12/191
D558,655 S *	1/2008	Kawamata	D12/191
D681,526 S *	5/2013	Santos	D12/191
8,925,995 B2	1/2015	Marcus et al.		

* cited by examiner

Primary Examiner — Katrina A Betton

(74) *Attorney, Agent, or Firm* — Price Heneveld LLP

(57) **CLAIM**

The ornamental design for illuminated vanity mirror visor, as shown.

DESCRIPTION

FIG. 1 is a front perspective view of a visor embodying the present invention;

FIG. 2 is a front perspective view of a visor embodying the present invention, illustrating illumination emitting therefrom;

FIG. 3 is a front perspective view of a visor embodying the present invention, showing an illuminated vanity mirror lowered;

FIG. 4 is a front perspective view of a visor embodying present invention, illustrating illumination on the vanity mirror;

FIG. 5 is a front elevational view of the visor shown in FIGS. 1-4;

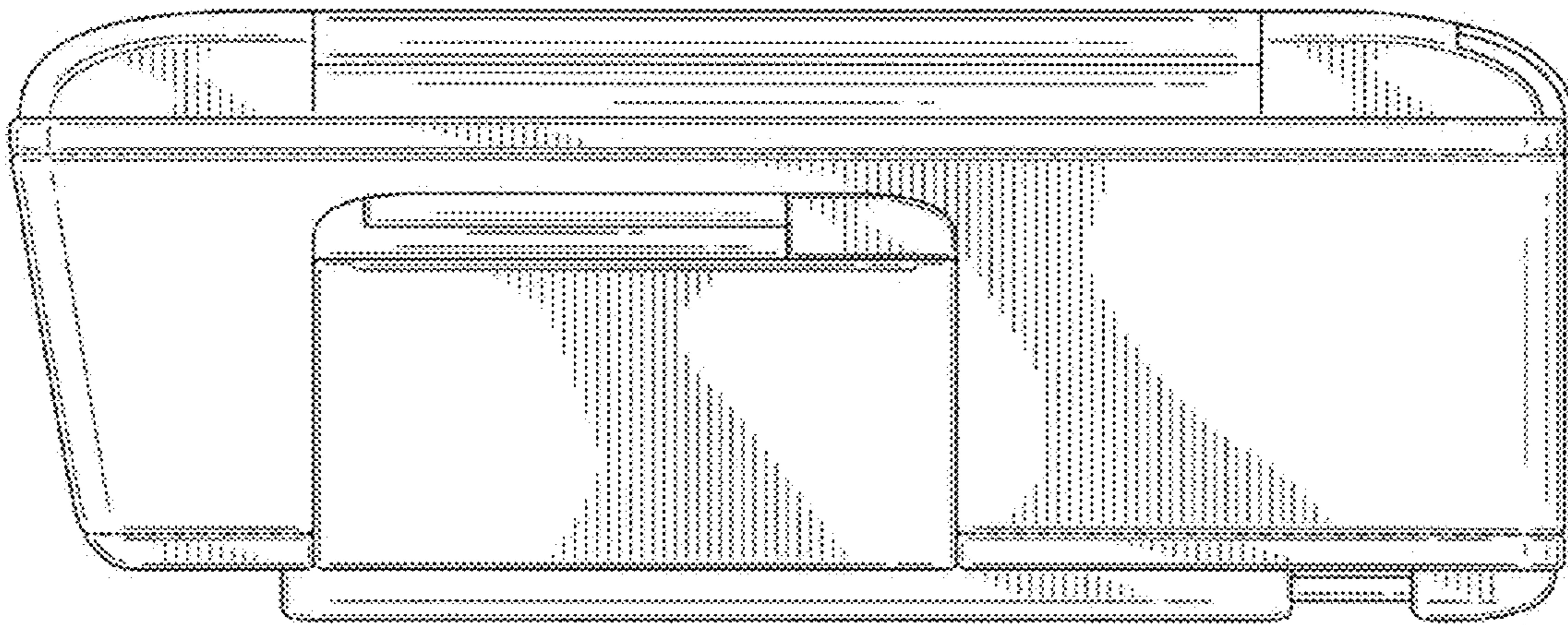
FIG. 6 is a rear elevational view of the visor shown in FIGS. 1-5;

FIG. 7 is a left side elevational view of the visor shown in FIG. 5;

FIG. 8 is a right side elevational view of the visor shown in FIG. 5;

FIG. 9 is a top plan view of the visor shown in FIG. 5; and, FIG. 10 is a bottom plan view of the visor shown in FIG. 5.

1 Claim, 8 Drawing Sheets



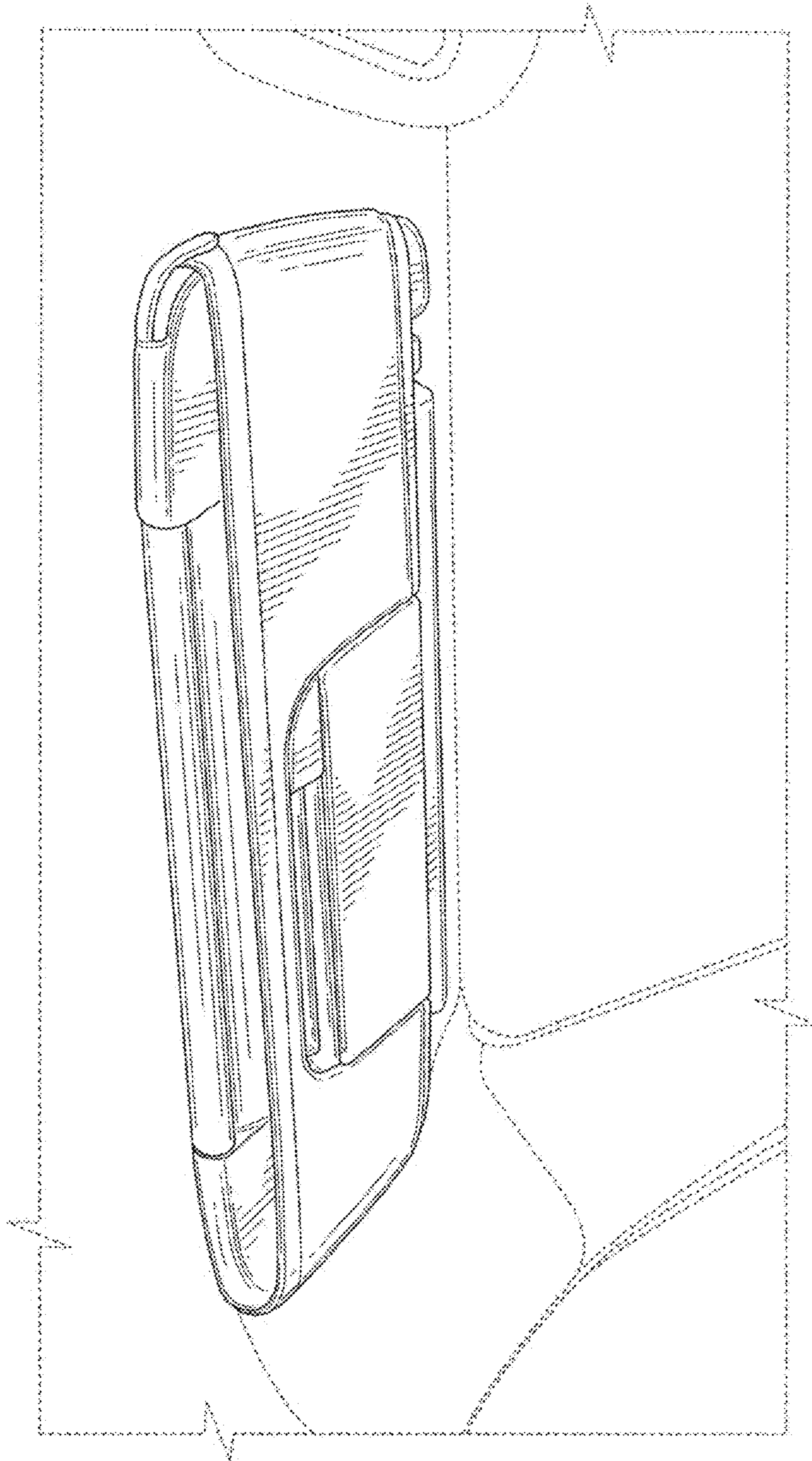


FIG. 1

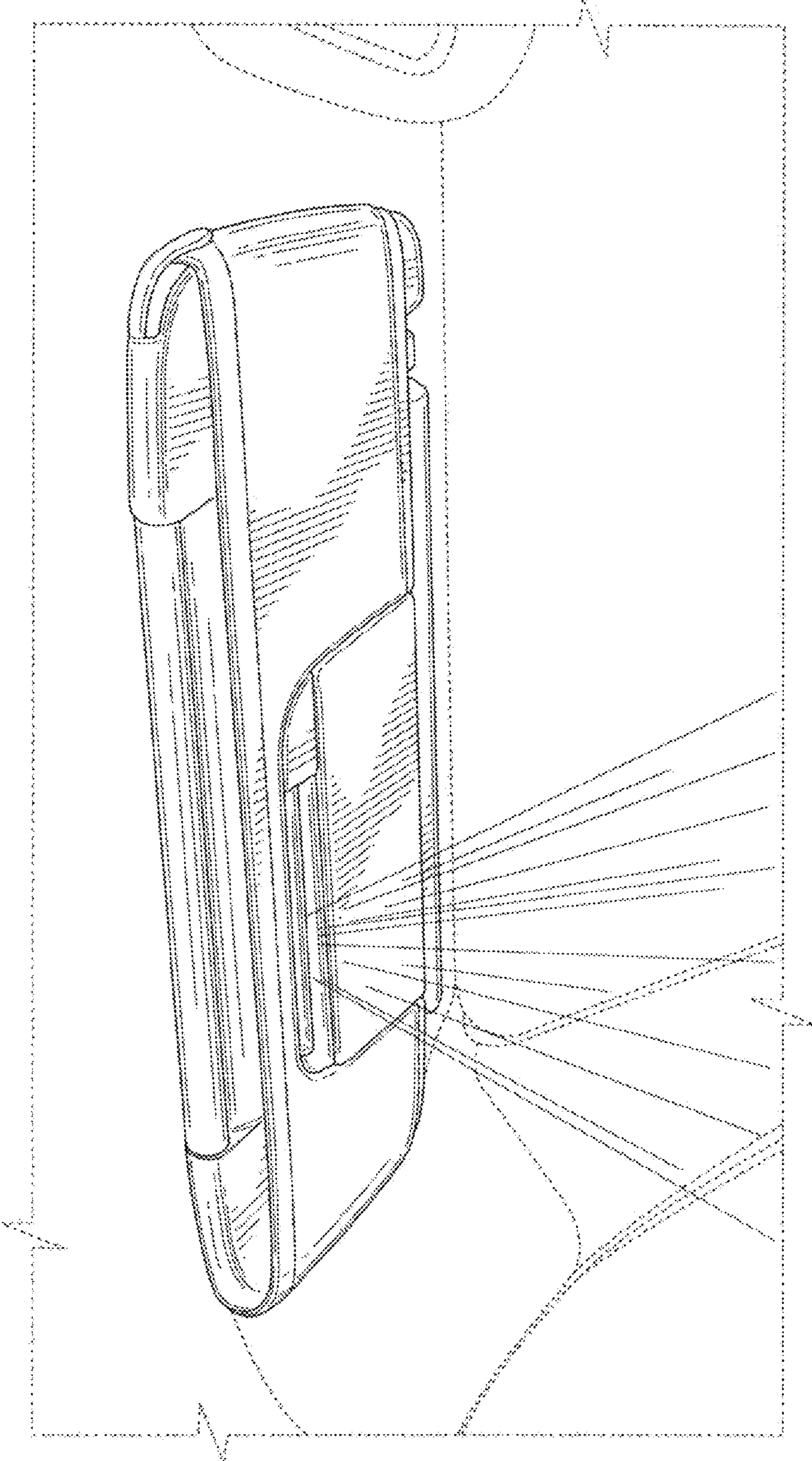


FIG. 2

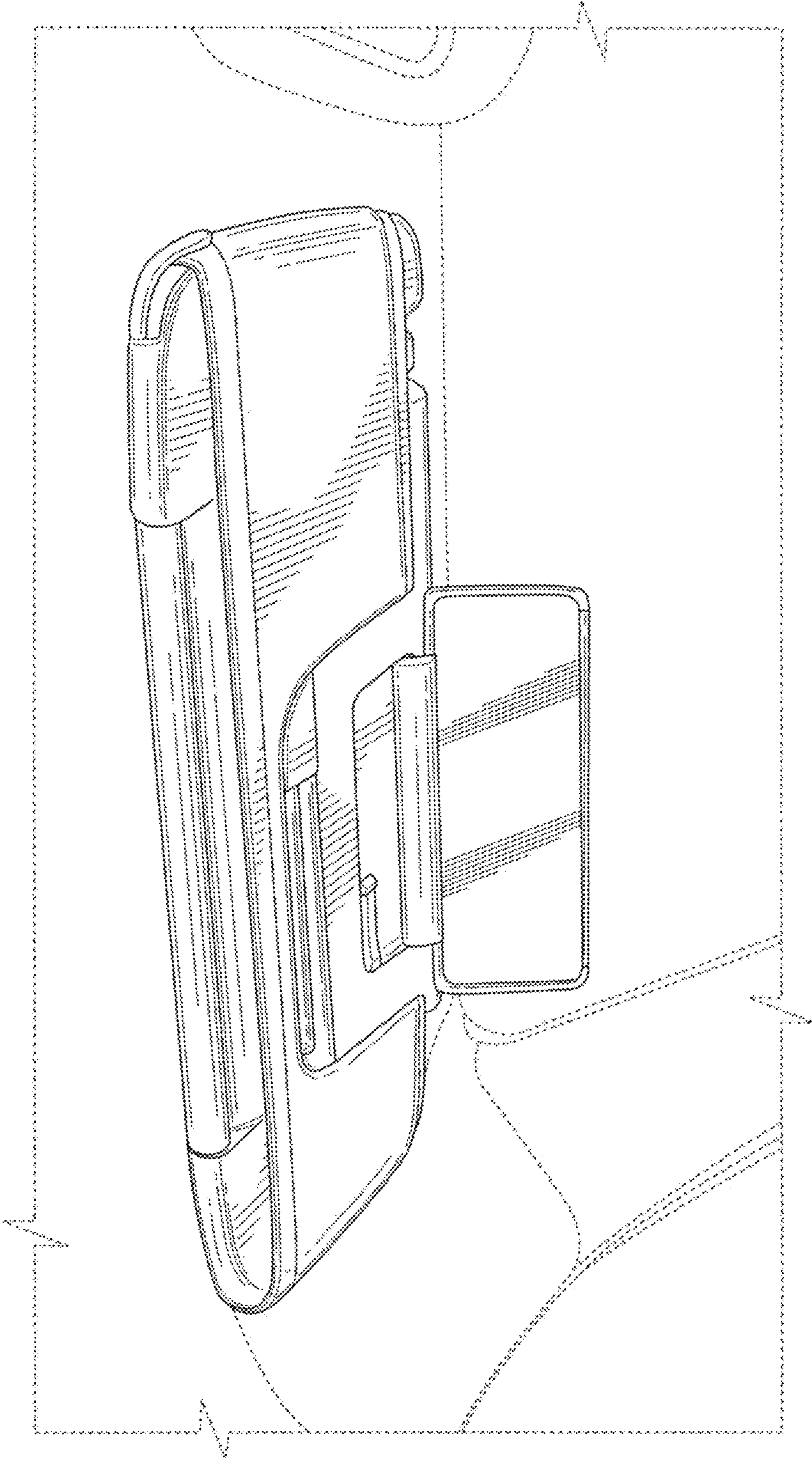


FIG. 3

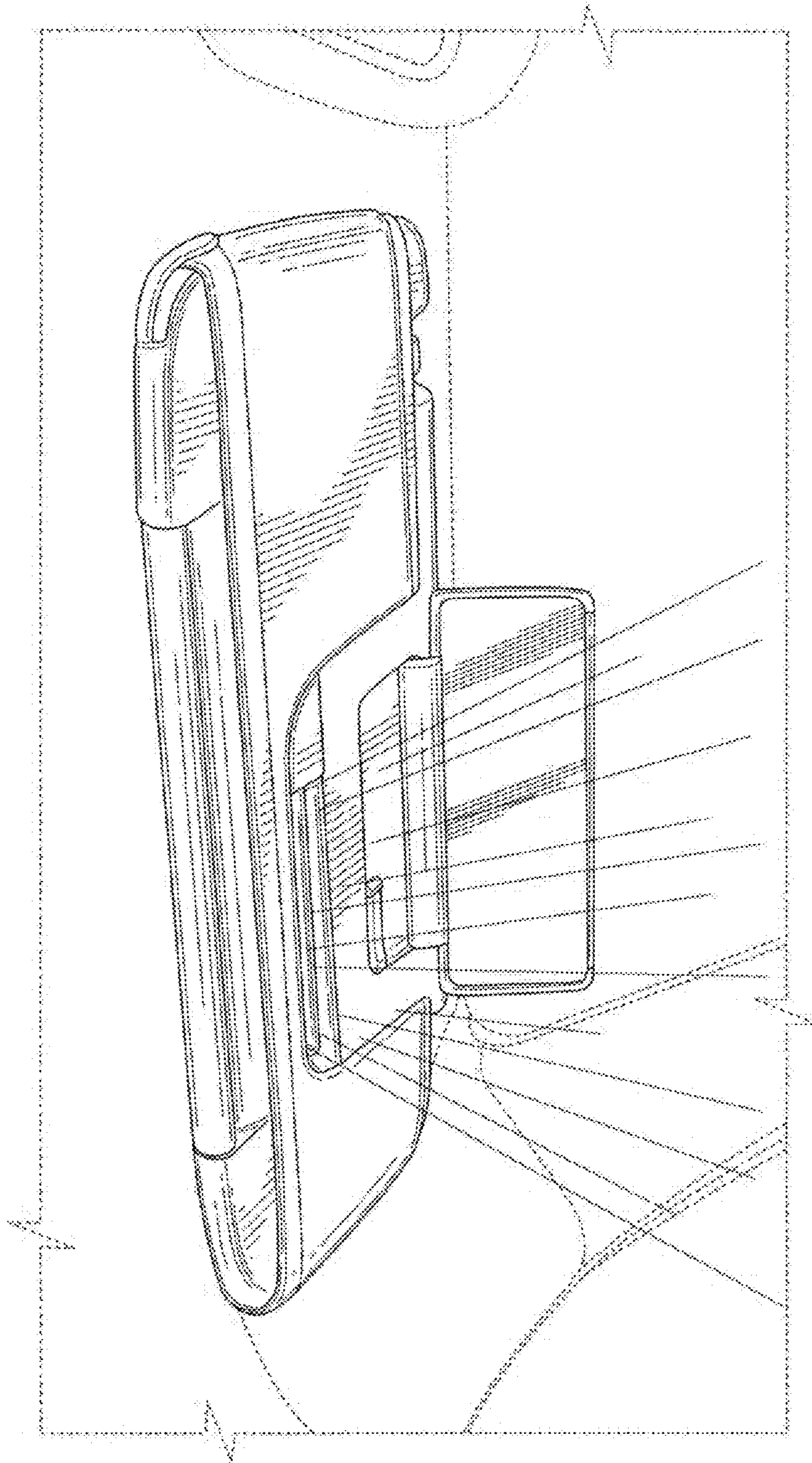


FIG. 4

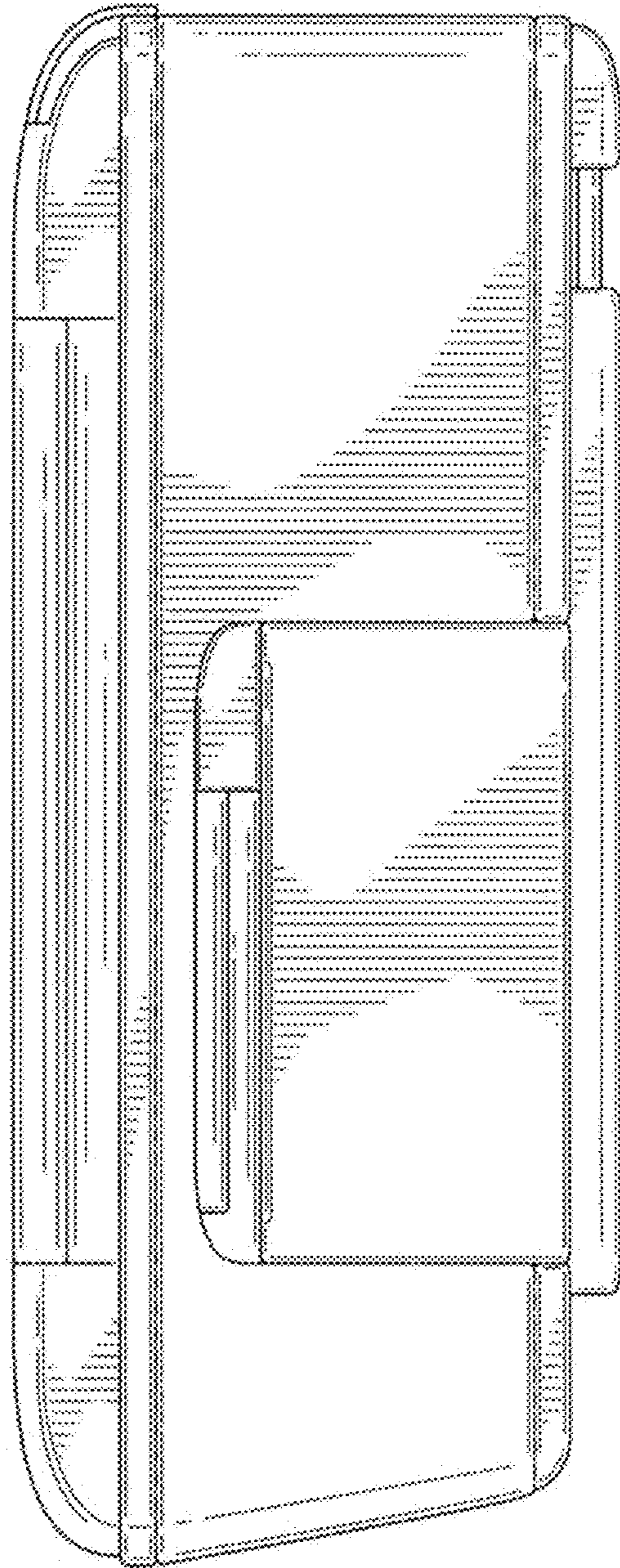


FIG. 5

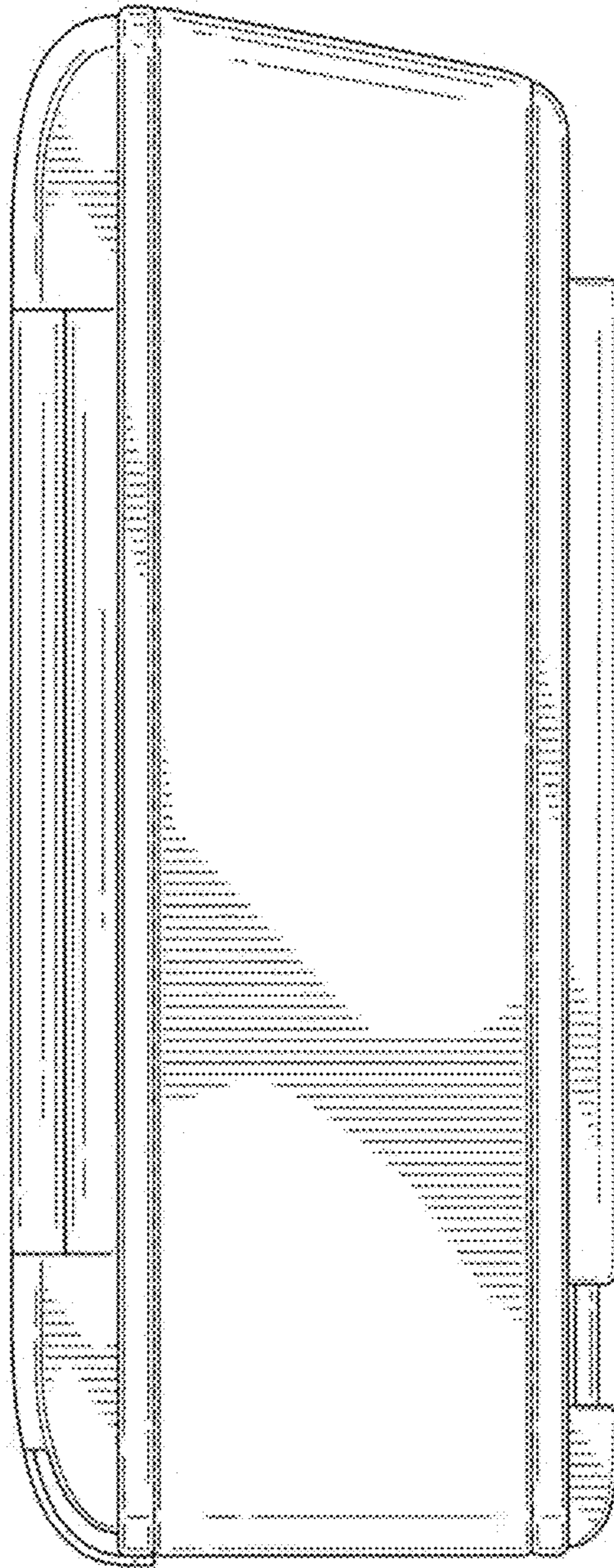


FIG. 6

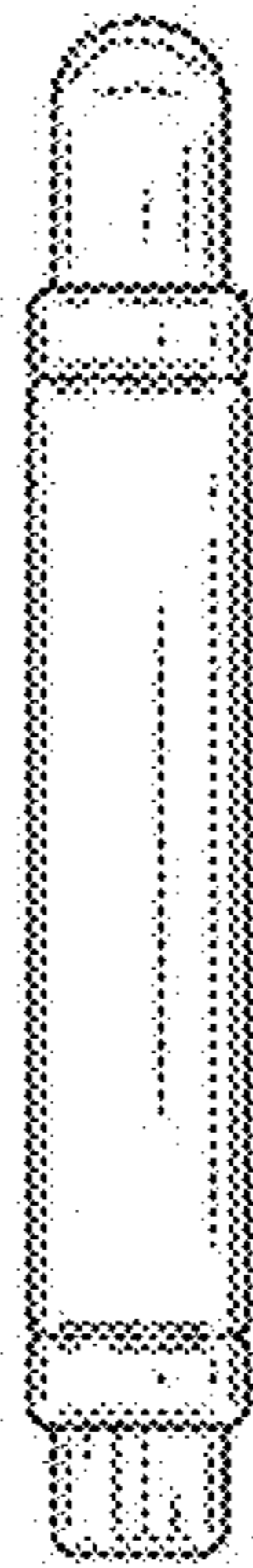


FIG. 7

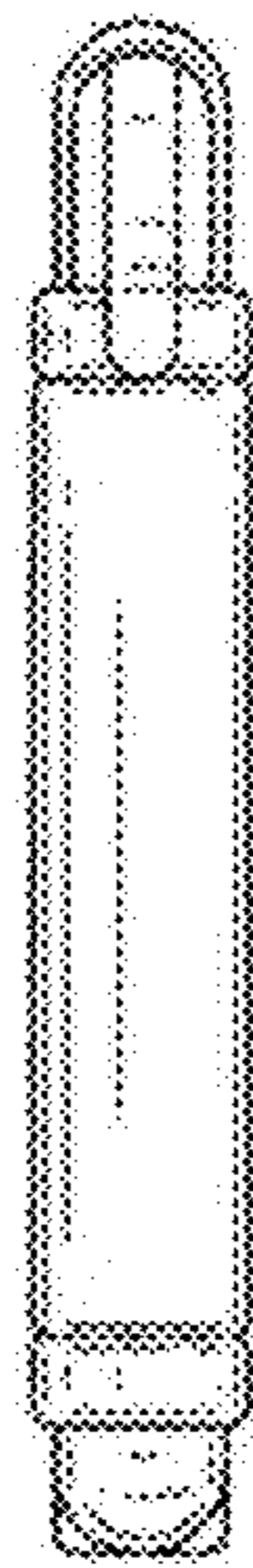


FIG. 8

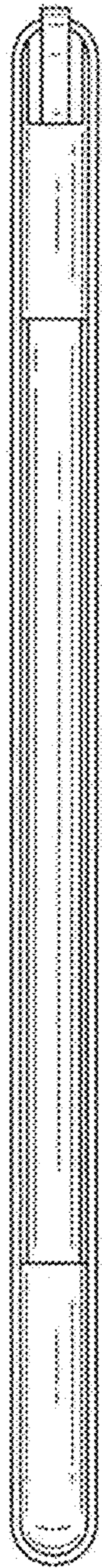


FIG. 9

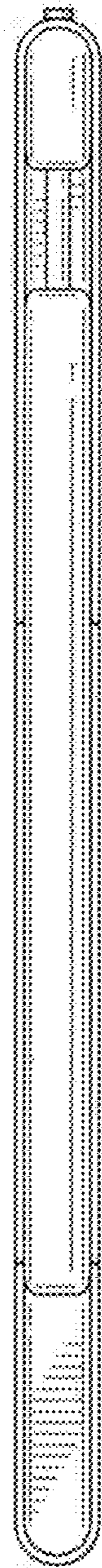


FIG. 10