



US00D764986S

(12) **United States Design Patent** (10) **Patent No.:** **US D764,986 S**
Faghihzhadeh (45) **Date of Patent:** **** Aug. 30, 2016**

(54) **REAR BUMPER FOR A VEHICLE**
(71) Applicant: **Bayerische Motoren Werke Aktiengesellschaft, Munich (DE)**
(72) Inventor: **Nader Faghihzhadeh, Munich (DE)**
(73) Assignee: **Bayerische Motoren Werke Aktiengesellschaft, Munich (DE)**

D734,222 S * 7/2015 Duff D12/169
D738,271 S * 9/2015 Glover D12/169
D743,855 S * 11/2015 Miyazawa D12/169
D744,913 S * 12/2015 Leclercq D12/169
D746,738 S * 1/2016 Wolff D12/169
D749,475 S * 2/2016 Battams D12/169
D750,539 S * 3/2016 Iwauchi D12/169

(**) Term: **15 Years**

(21) Appl. No.: **29/527,521**

(22) Filed: **May 20, 2015**

(30) **Foreign Application Priority Data**

Nov. 21, 2014 (DE) 40 2014 101 119

(51) **LOC (10) Cl.** **12-16**

(52) **U.S. Cl.**
USPC **D12/169**

(58) **Field of Classification Search**
USPC D12/169, 163, 196, 171, 90-92, 216;
293/102, 113, 115, 117, 120;
296/180.1, 180.2
CPC .. B60R 19/52; B60R 2019/25; B62D 25/084
See application file for complete search history.

(56) **References Cited**

U.S. PATENT DOCUMENTS

D620,851 S 8/2010 Froehlich
D663,658 S * 7/2012 Karras D12/169
D671,049 S * 11/2012 Davidson D12/169
D673,088 S * 12/2012 Thompson D12/169
D692,809 S * 11/2013 Uchino D12/169
D711,294 S * 8/2014 Karras D12/169
D721,022 S * 1/2015 Hanaoka D12/169
D722,926 S * 2/2015 Kato D12/169

FOREIGN PATENT DOCUMENTS

WO DM/069623 6/2008
WO DM/072056 1/2010

* cited by examiner

Primary Examiner — Melody N Brown

(74) *Attorney, Agent, or Firm* — Crowell & Moring LLP

(57) **CLAIM**

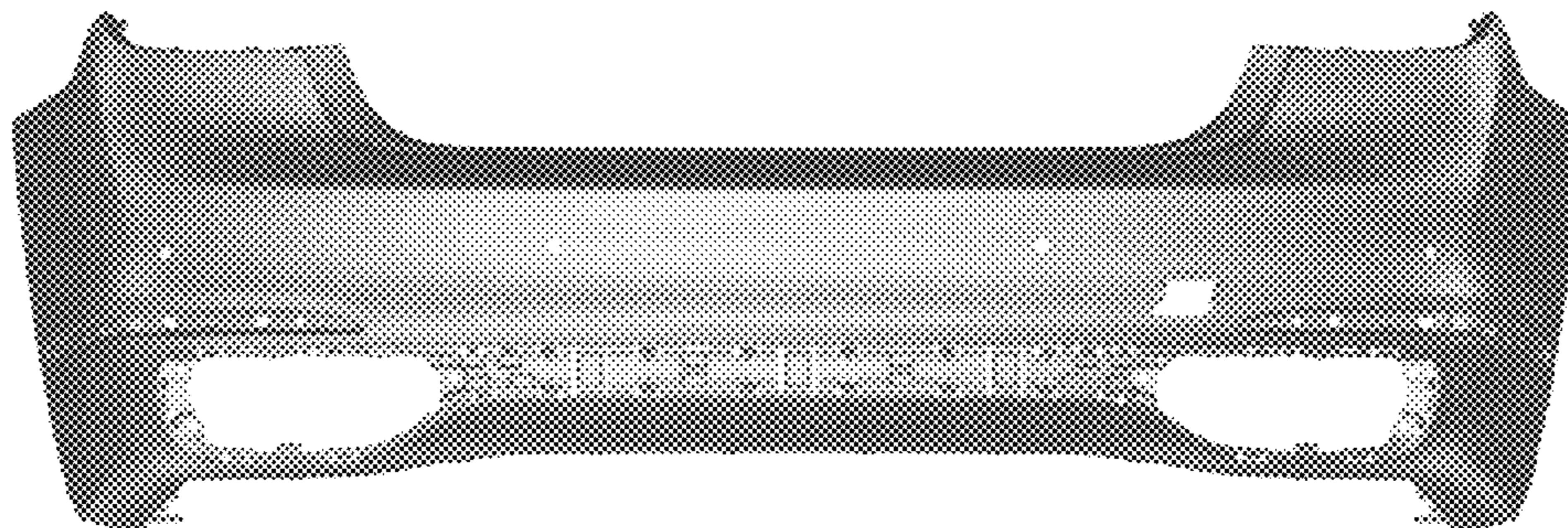
The ornamental design for a rear bumper for a vehicle, as shown and described.

DESCRIPTION

This application contains subject matter related to the following co-pending U.S. design patent applications: Application Ser. No. 29/527,514, filed herewith and entitled "Vehicle, Toy, and/or Replicas Thereof"; Application Ser. No. 29/527,524, filed herewith and entitled "Vehicle, Toy, and/or Replicas Thereof"; and Application Ser. No. 29/527,528, filed herewith and entitled "Rear Bumper for a Vehicle".

FIG. 1 is a front view of a rear bumper for a vehicle according to the design;
FIG. 2 is a left perspective view thereof;
FIG. 3 is a right perspective view thereof;
FIG. 4 is a left side view thereof;
FIG. 5 is a right side view thereof;
FIG. 6 is a top view thereof;
FIG. 7 is a bottom view thereof; and,
FIG. 8 is a rear view thereof.

1 Claim, 8 Drawing Sheets



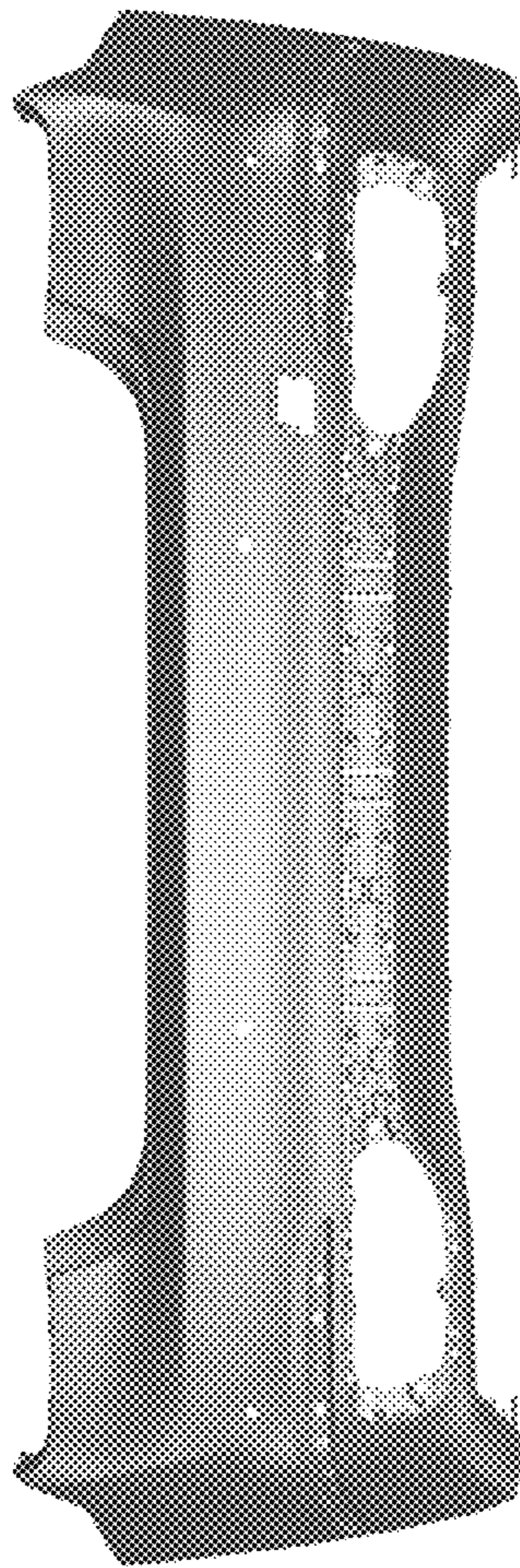


Fig. 1

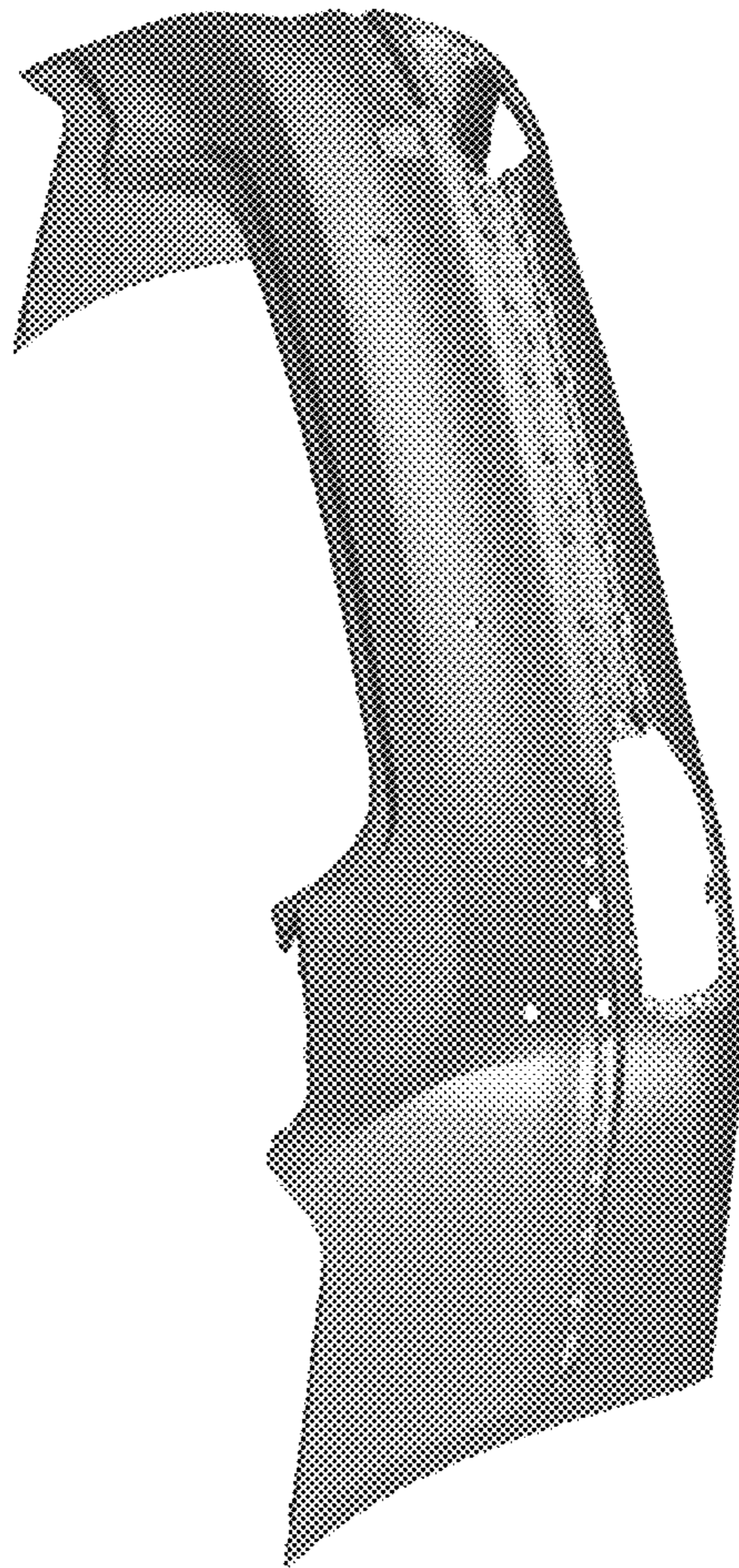


Fig. 2

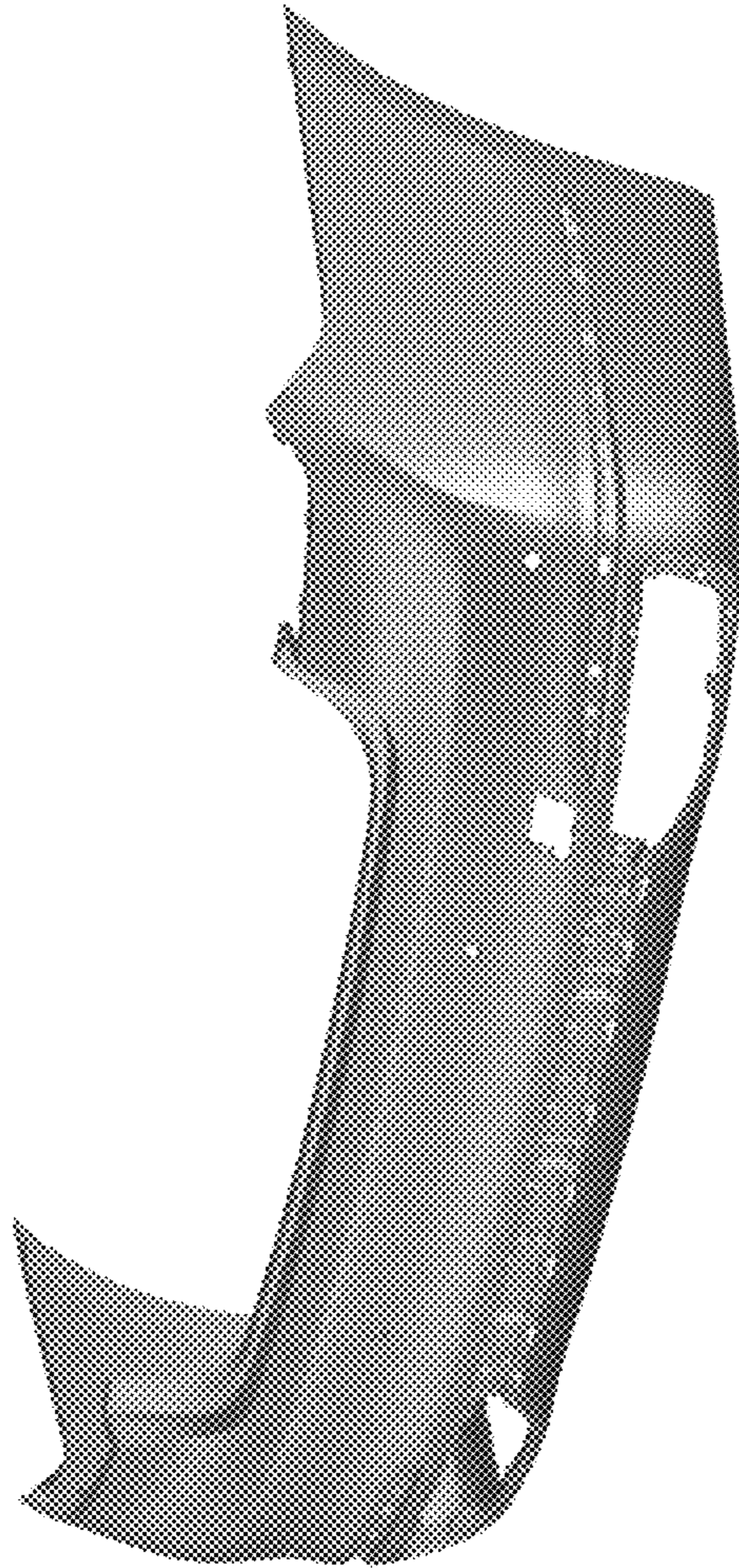


Fig. 3

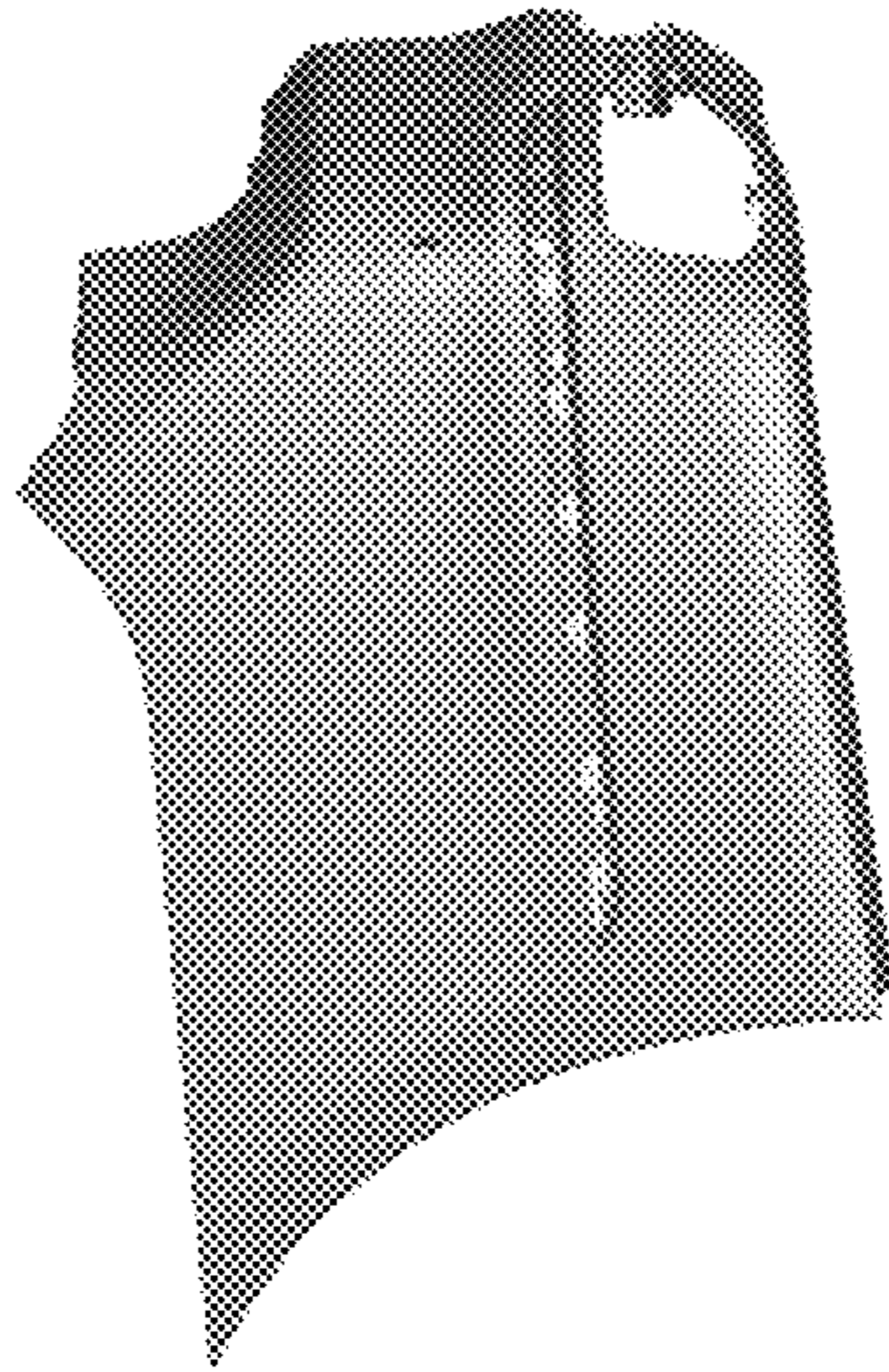


Fig. 4

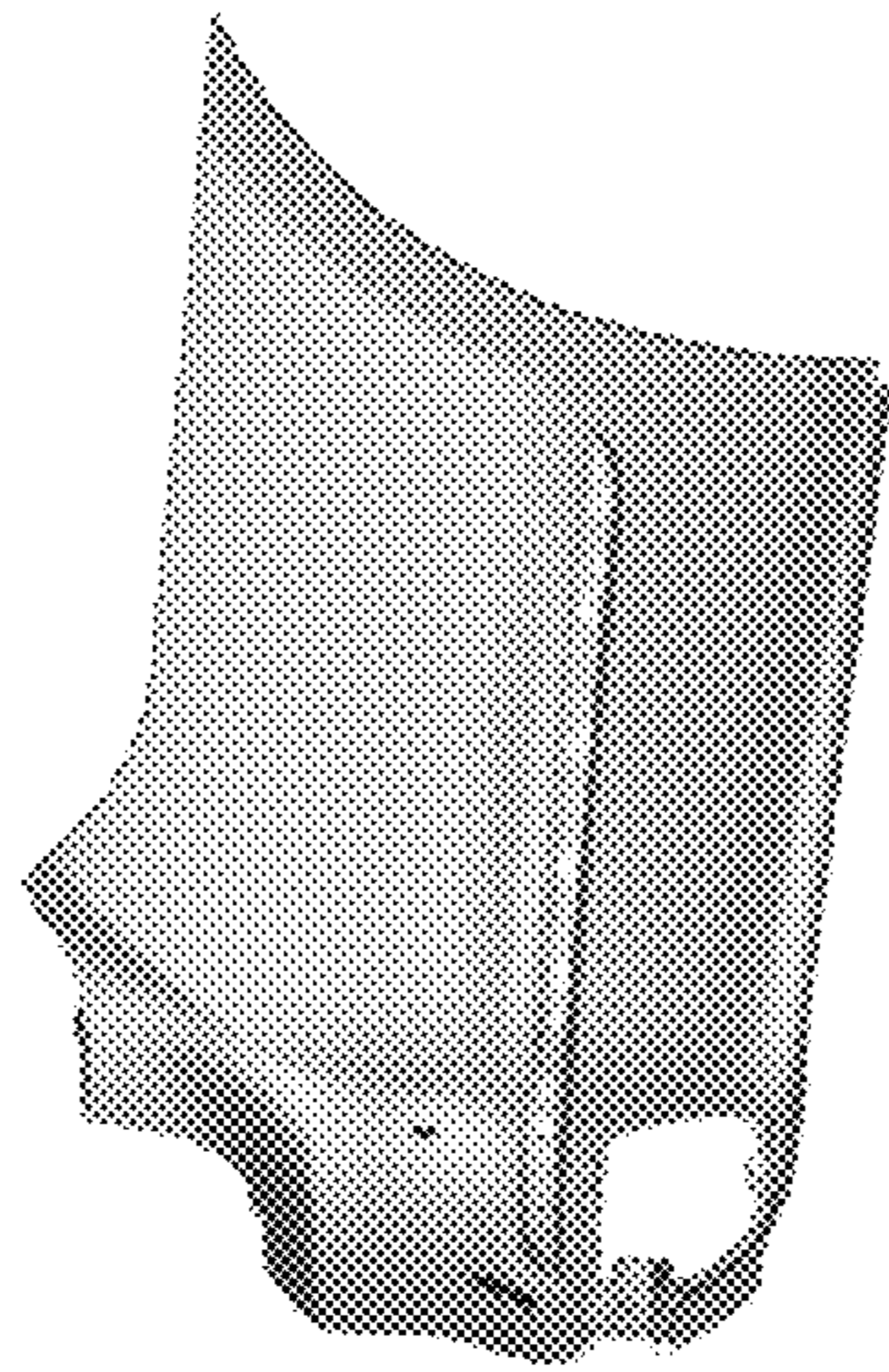


Fig. 5

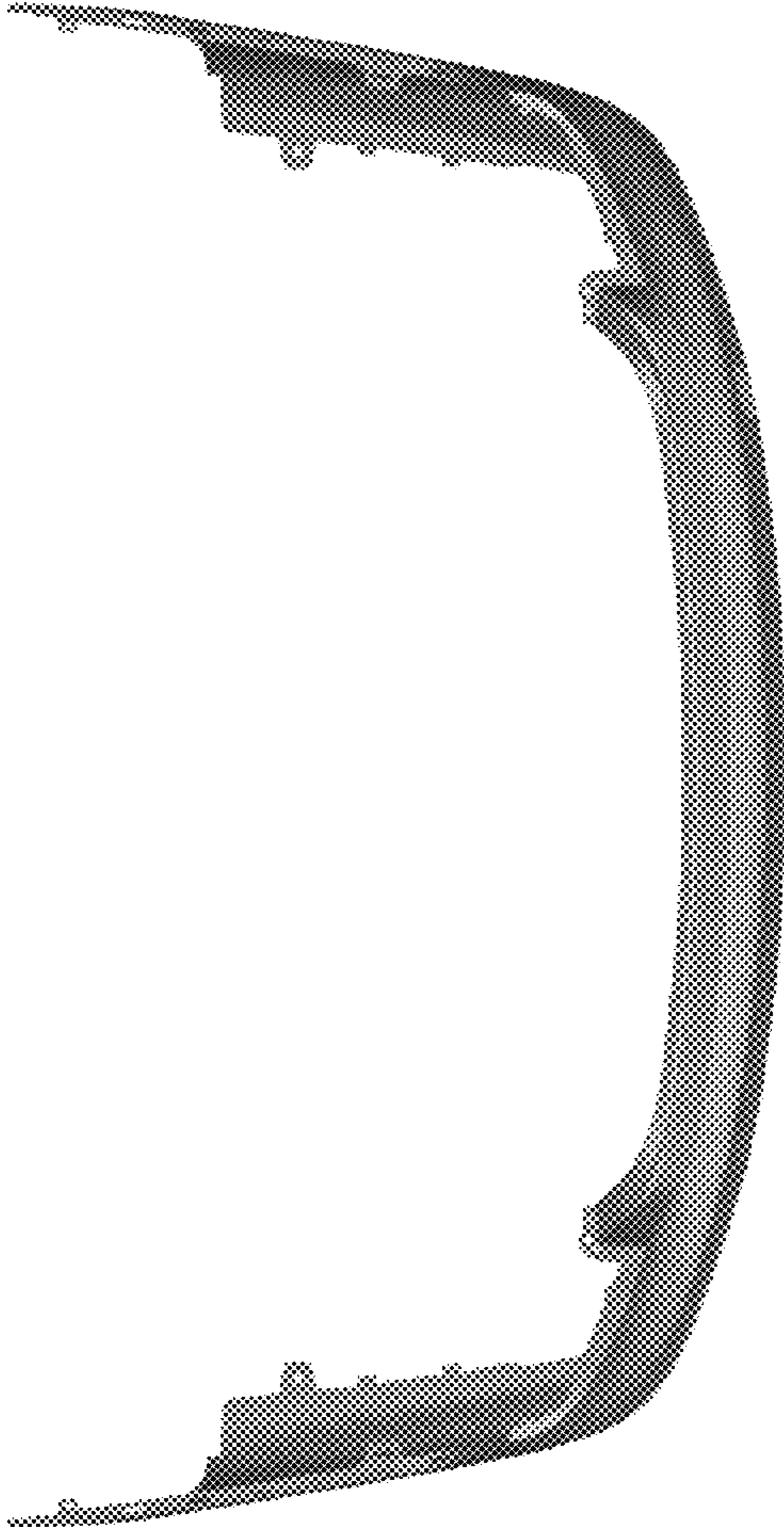


Fig. 6

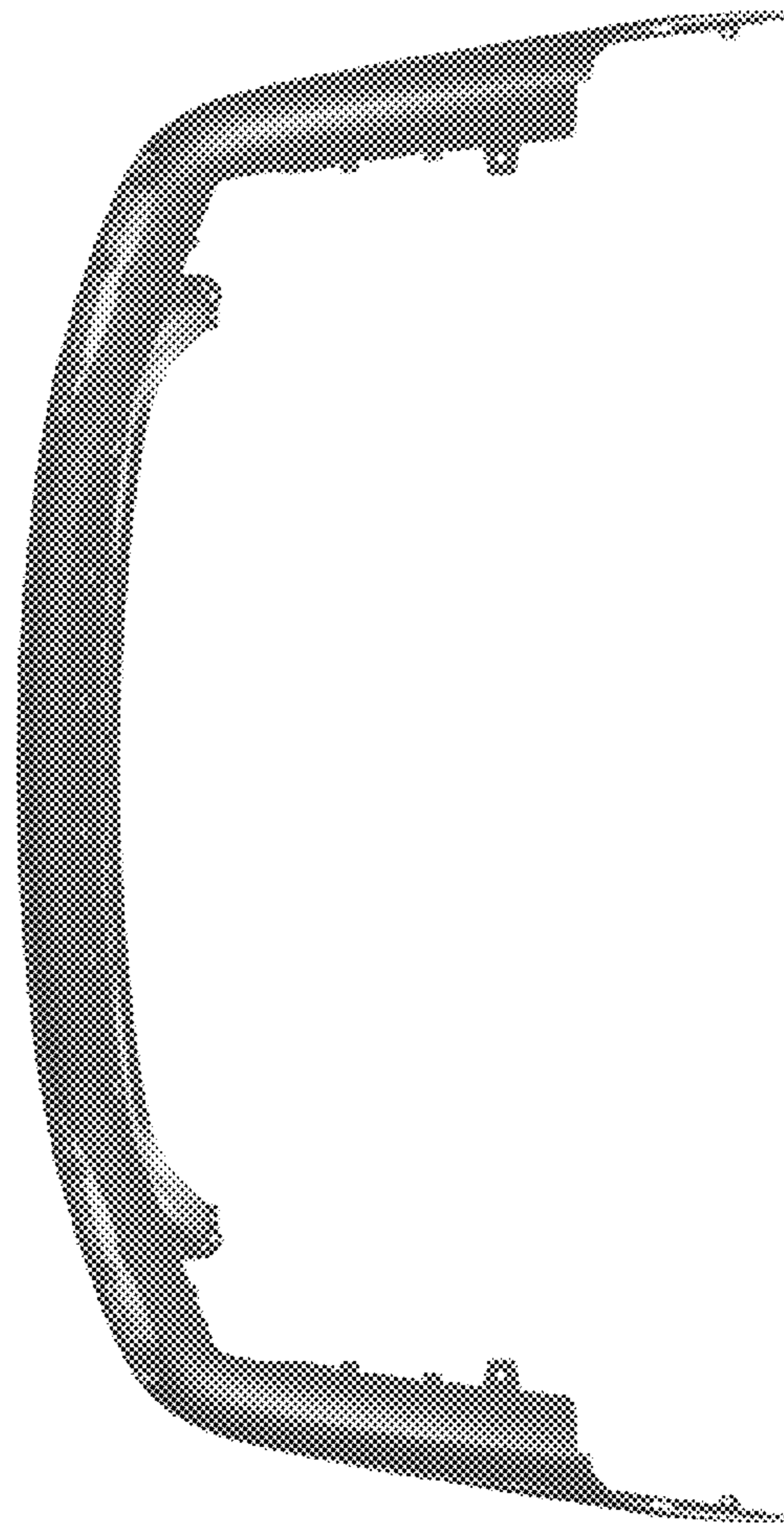


Fig. 7

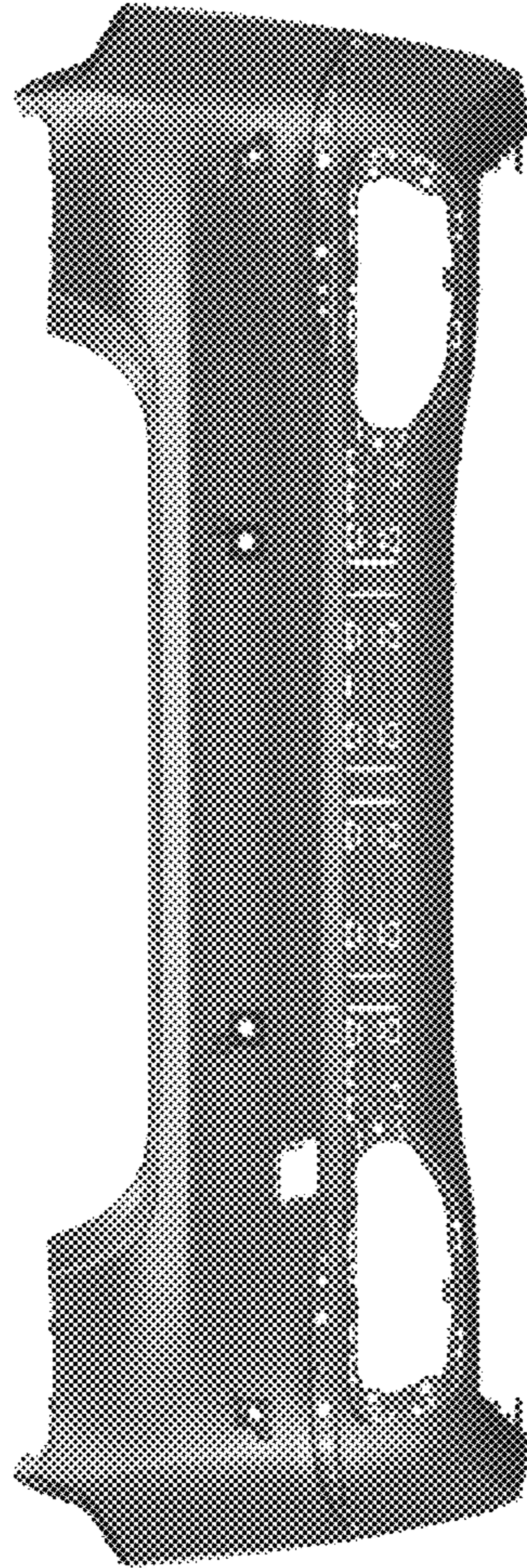


Fig. 8