



US00D764984S

(12) **United States Design Patent** (10) **Patent No.:** **US D764,984 S**
Stopka (45) **Date of Patent:** **** Aug. 30, 2016**

(54) **AUTOMOBILE BUMPER**
(71) Applicant: **Dr. Ing. h.c. F. Porsche Aktiengesellschaft, Stuttgart (DE)**
(72) Inventor: **Thomas Stopka, Stuttgart (DE)**
(73) Assignee: **Dr. Ing. h.c.F. Porsche Aktiengesellschaft, Stuttgart (DE)**
(**) Term: **14 Years**

(21) Appl. No.: **29/479,582**
(22) Filed: **Jan. 17, 2014**

(30) **Foreign Application Priority Data**
Jul. 19, 2013 (DE) 40 2013 100 685
(51) **LOC (10) Cl.** **12-16**
(52) **U.S. Cl.**
USPC **D12/169**
(58) **Field of Classification Search**
USPC D12/169, 216, 90-92, 86, 171, 196,
D12/163; 293/102, 113, 115, 117, 120;
296/180.1, 180.2
See application file for complete search history.

(56) **References Cited**
U.S. PATENT DOCUMENTS
D610,503 S * 2/2010 Bucher et al. D12/169
D637,535 S * 5/2011 Yukawa et al. D12/169
D644,575 S * 9/2011 Messale D12/169
D647,437 S 10/2011 Varga
D649,919 S 12/2011 Varga
D659,603 S 5/2012 Varga
D659,604 S 5/2012 Varga
D659,605 S 5/2012 Varga
D659,606 S 5/2012 Varga

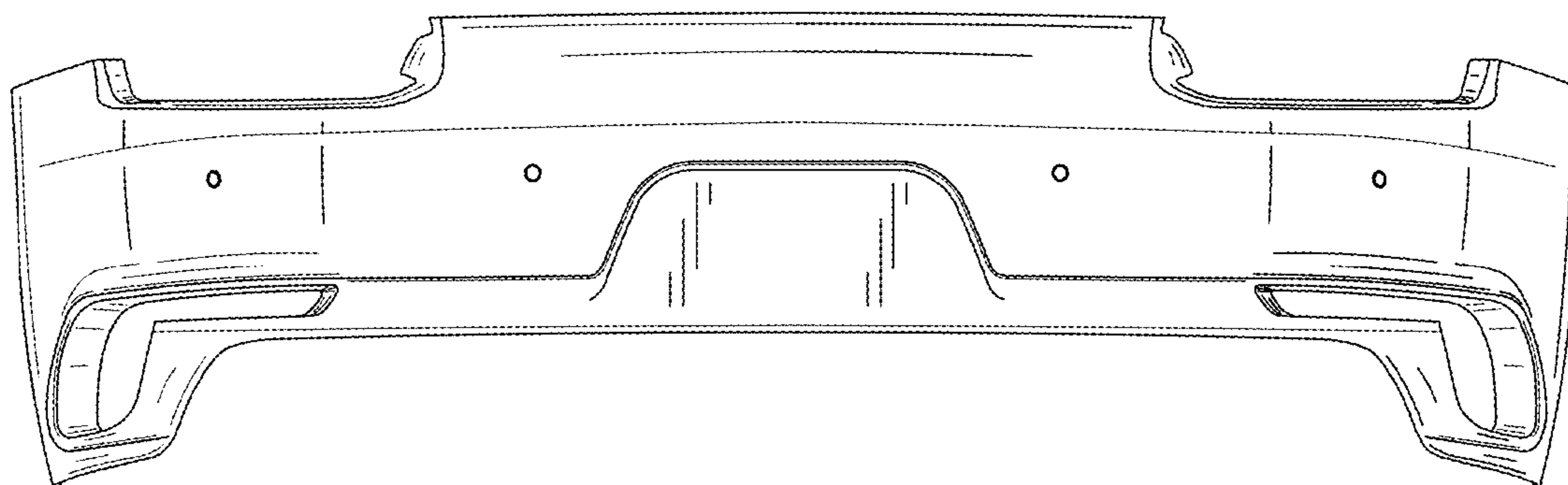
D659,607 S 5/2012 Robinson
D659,608 S 5/2012 Robinson
D680,474 S 4/2013 Scheinhutte
D680,475 S 4/2013 Scheinhutte
D682,754 S 5/2013 Robinson
D682,755 S 5/2013 Robinson
D685,300 S 7/2013 Varga
D688,988 S 9/2013 Varga
D695,162 S * 12/2013 Scheinhutte et al. D12/169
D705,139 S * 5/2014 Jevremovic et al. D12/169
D713,766 S * 9/2014 Katou et al. D12/169

* cited by examiner
Primary Examiner — Melody N Brown
(74) *Attorney, Agent, or Firm* — Gerald E. Hespos; Michael J. Porco; Matthew T. Hespos

(57) **CLAIM**
The ornamental design for an automobile bumper, as shown and described.

DESCRIPTION
FIG. 1 is a perspective view of an automobile bumper in accordance with my design as viewed from the left and rear of the automobile;
FIG. 2 is a rear elevational view of the automobile bumper of FIG. 1;
FIG. 3 is a bottom plan view thereof;
FIG. 4 is a top plan view thereof;
FIG. 5 is a side elevation view as viewed from the right side of FIG. 1;
FIG. 6 is a side elevation view as viewed from the left side of FIG. 1; and,
FIG. 7 is a front elevational view of the automobile bumper shown in FIGS. 1 and 2.
The broken lines are for illustration purposes only and form no part of the claimed design.

1 Claim, 6 Drawing Sheets



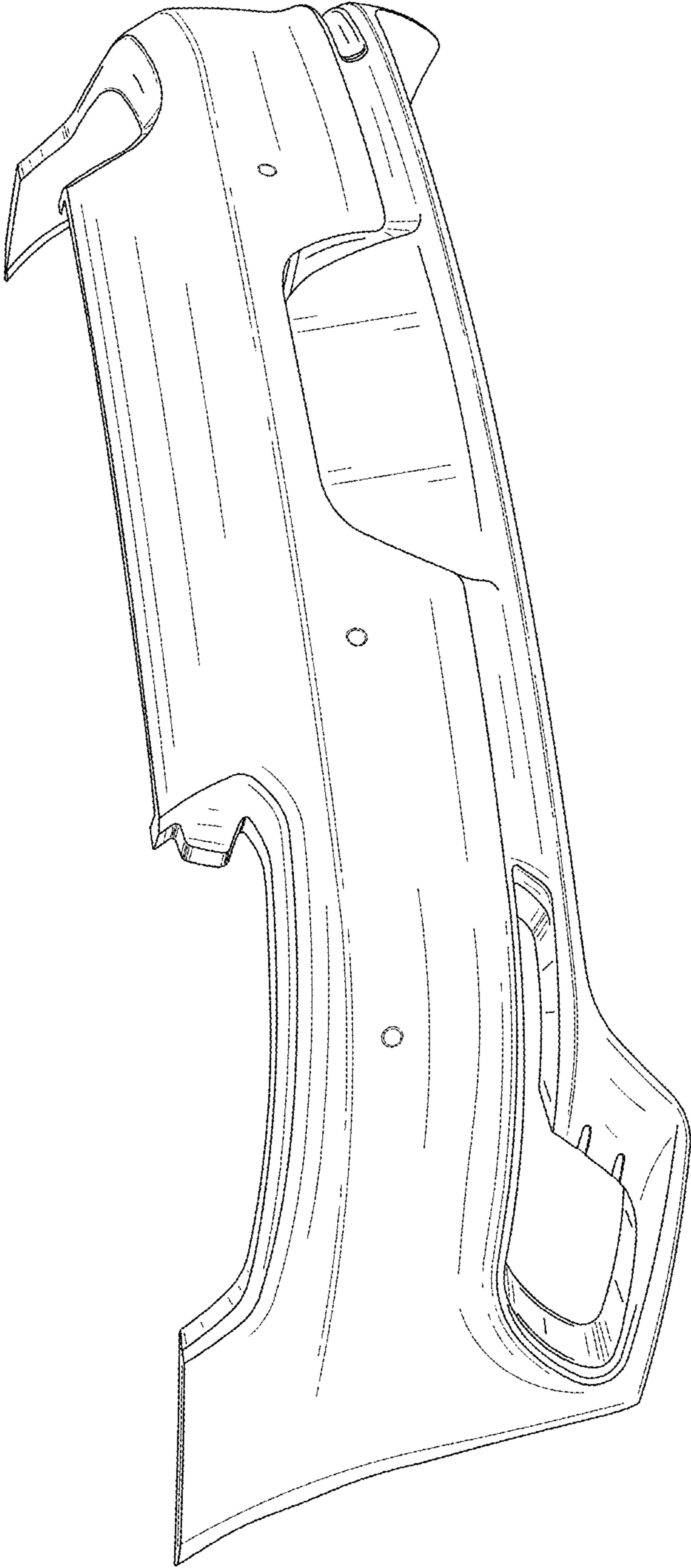


FIG. 1

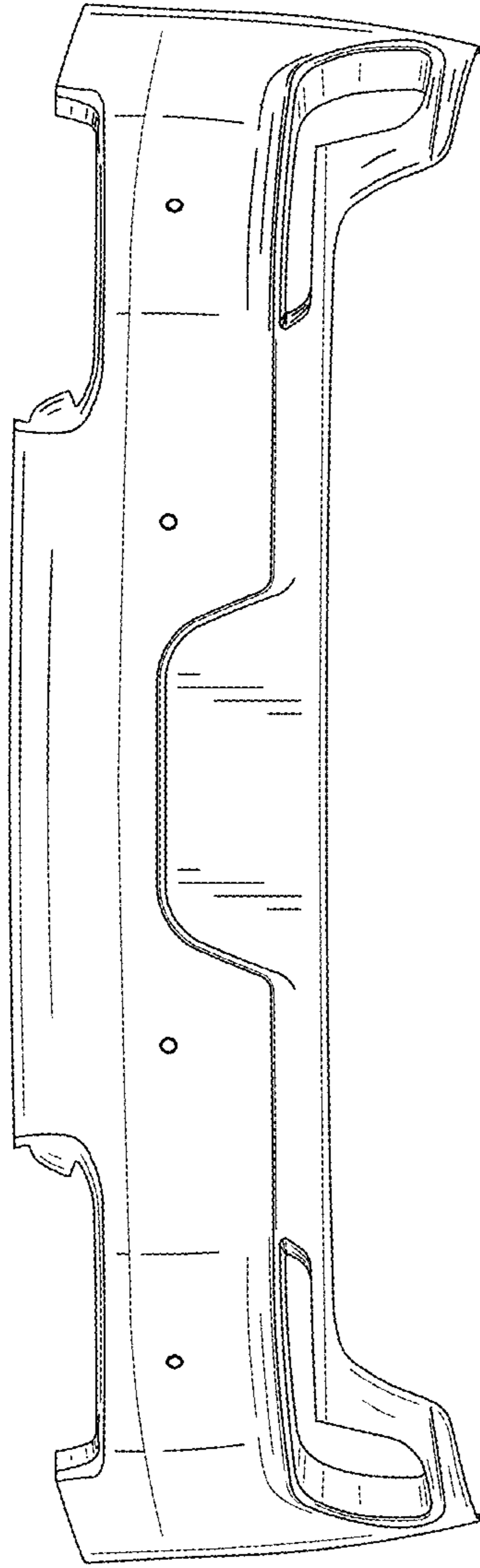


FIG. 2

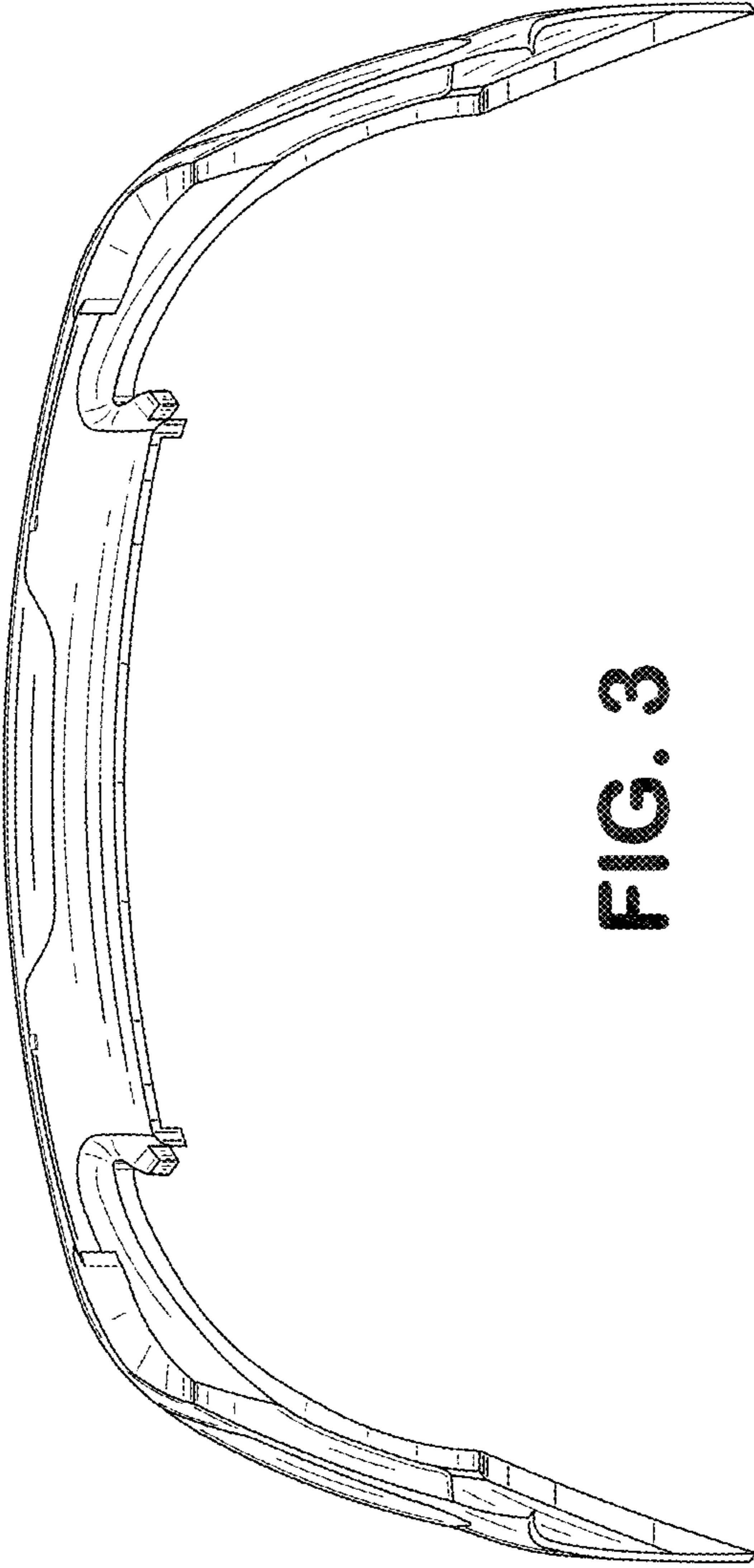


FIG. 3

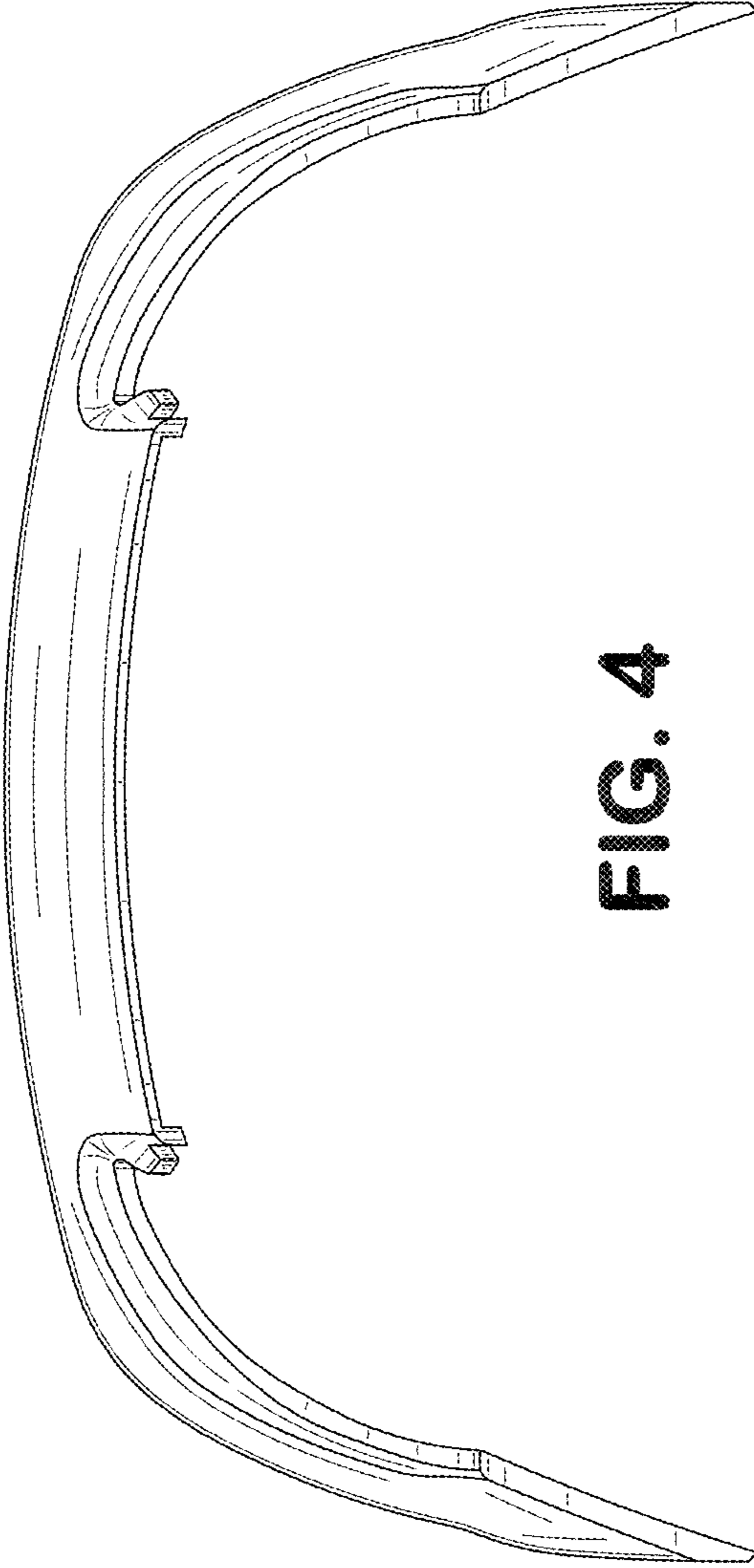


FIG. 4

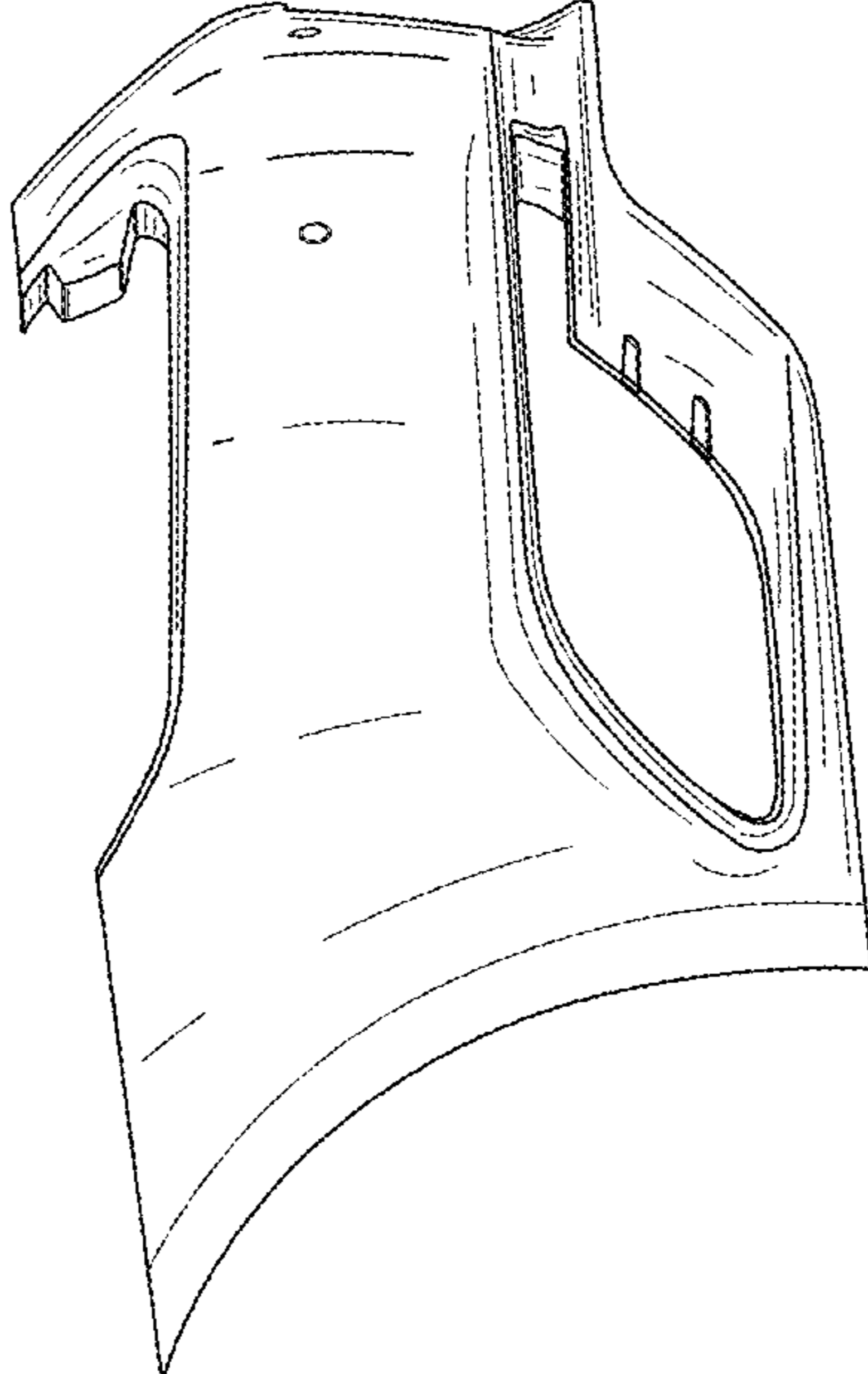


FIG. 5

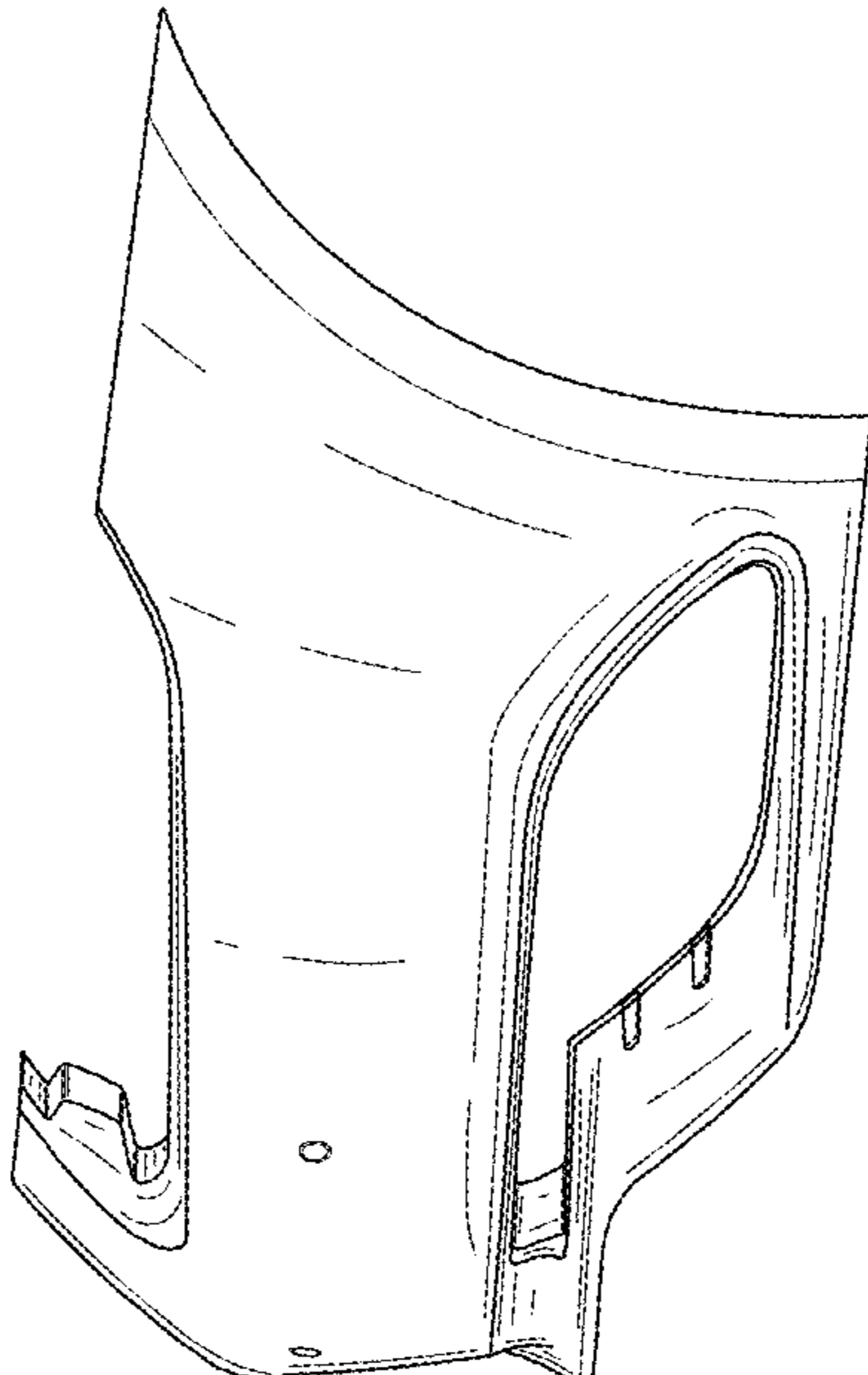


FIG. 6

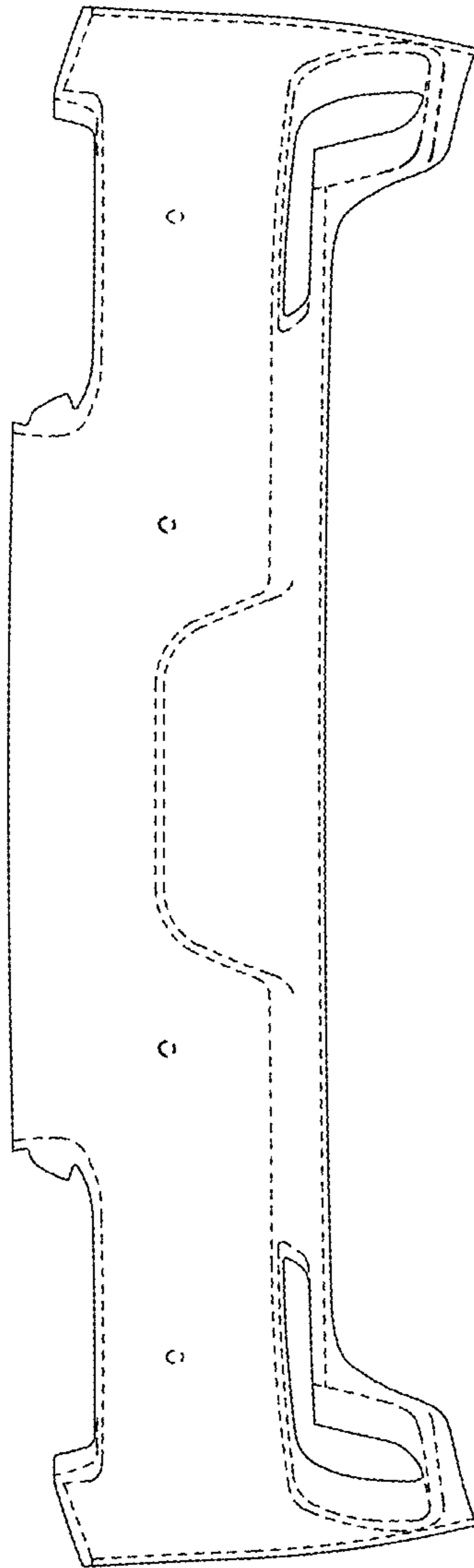


FIG. 7