

US00D764983S

(12) **United States Design Patent**
Platto et al.

(10) **Patent No.:** **US D764,983 S**

(45) **Date of Patent:** **** Aug. 30, 2016**

(54) **VEHICLE EXTERIOR FRONT PORTION**

(56) **References Cited**

(71) Applicant: **Ford Motor Company**, Dearborn, MI
(US)

U.S. PATENT DOCUMENTS

(72) Inventors: **Gordon M Platto**, Troy, MI (US);
Bradley A Richards, Beverly Hills, MI
(US); **Dong H Park**, Royal Oak, MI
(US)

D600,595 S *	9/2009	Nakamura	D12/98
D607,783 S *	1/2010	Roller	D12/98
D645,798 S *	9/2011	Sato	D12/164
D703,586 S *	4/2014	Platto	D12/98
D718,674 S *	12/2014	Sperling	D12/164
D735,081 S *	7/2015	Sperling	D12/98
D735,082 S *	7/2015	Sperling	D12/98
D755,679 S *	5/2016	Sato	D12/98

(73) Assignee: **Ford Motor Company**, Dearborn, MI
(US)

* cited by examiner

Primary Examiner — Melody N Brown

(**) Term: **14 Years**

(74) *Attorney, Agent, or Firm* — Damian Porcari

(21) Appl. No.: **29/513,876**

(57) **CLAIM**

The ornamental design for a vehicle exterior front portion, as shown and described.

(22) Filed: **Jan. 6, 2015**

DESCRIPTION

(51) **LOC (10) Cl.** **12-16**

(52) **U.S. Cl.**
USPC **D12/164**

(58) **Field of Classification Search**
USPC D12/86, 90–92, 88, 98, 164; D21/424,
D21/433, 434, 533; 296/181.1, 181.5,
296/181.3, 183.1, 37.6
CPC B60R 9/06; B62D 35/00
See application file for complete search history.

FIG. 1 is a top front and left side perspective view of a vehicle exterior front portion;
FIG. 2 is a top rear and left side perspective view thereof;
FIG. 3 is a front elevational view thereof;
FIG. 4 is a rear elevational view thereof;
FIG. 5 is a left side elevational view thereof;
FIG. 6 is a right side elevational view thereof; and,
FIG. 7 is a top plan view thereof.

Any broken lines represent an internal boundary of the design; the line itself and the area within form no part of the claim.

1 Claim, 7 Drawing Sheets

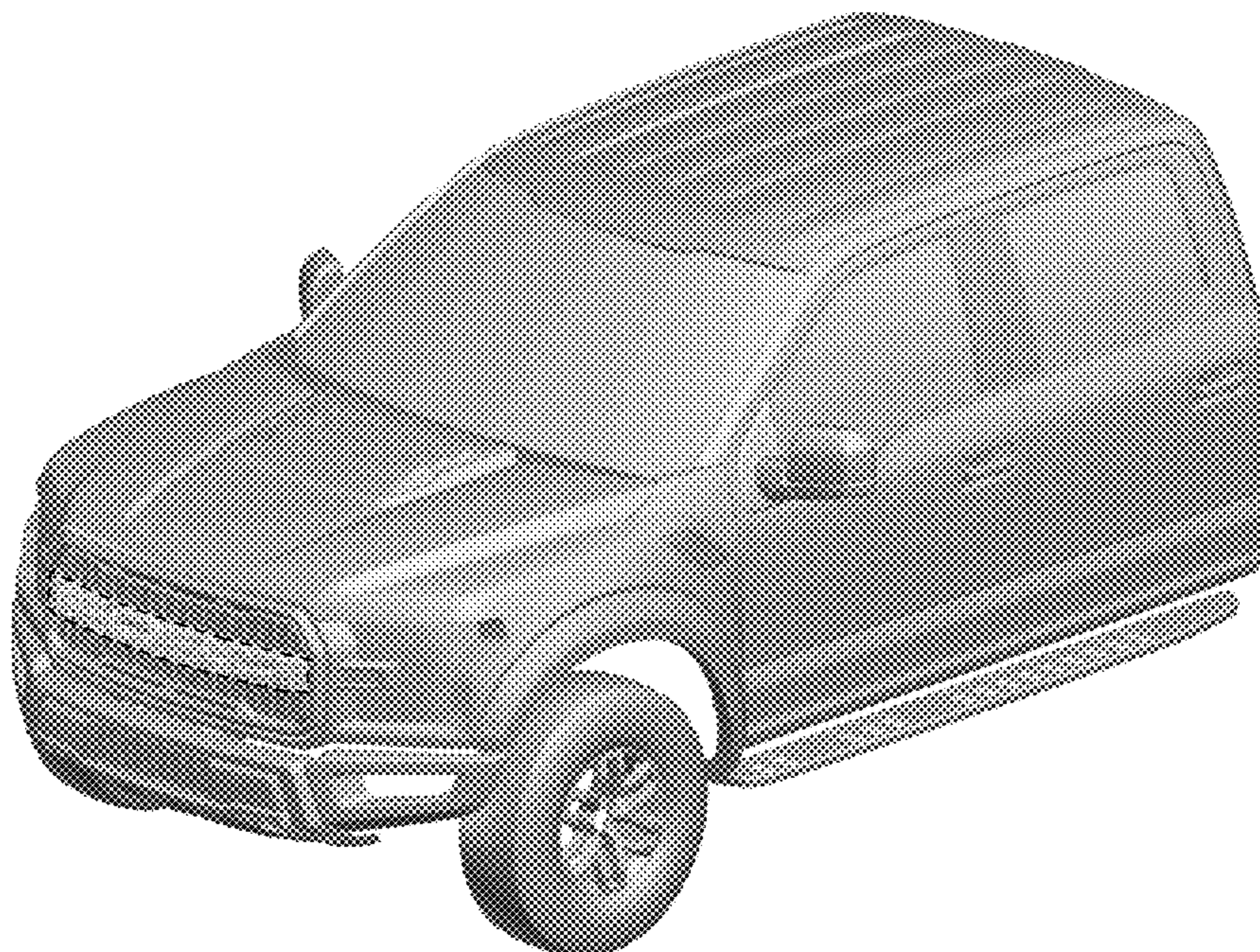




Figure 1

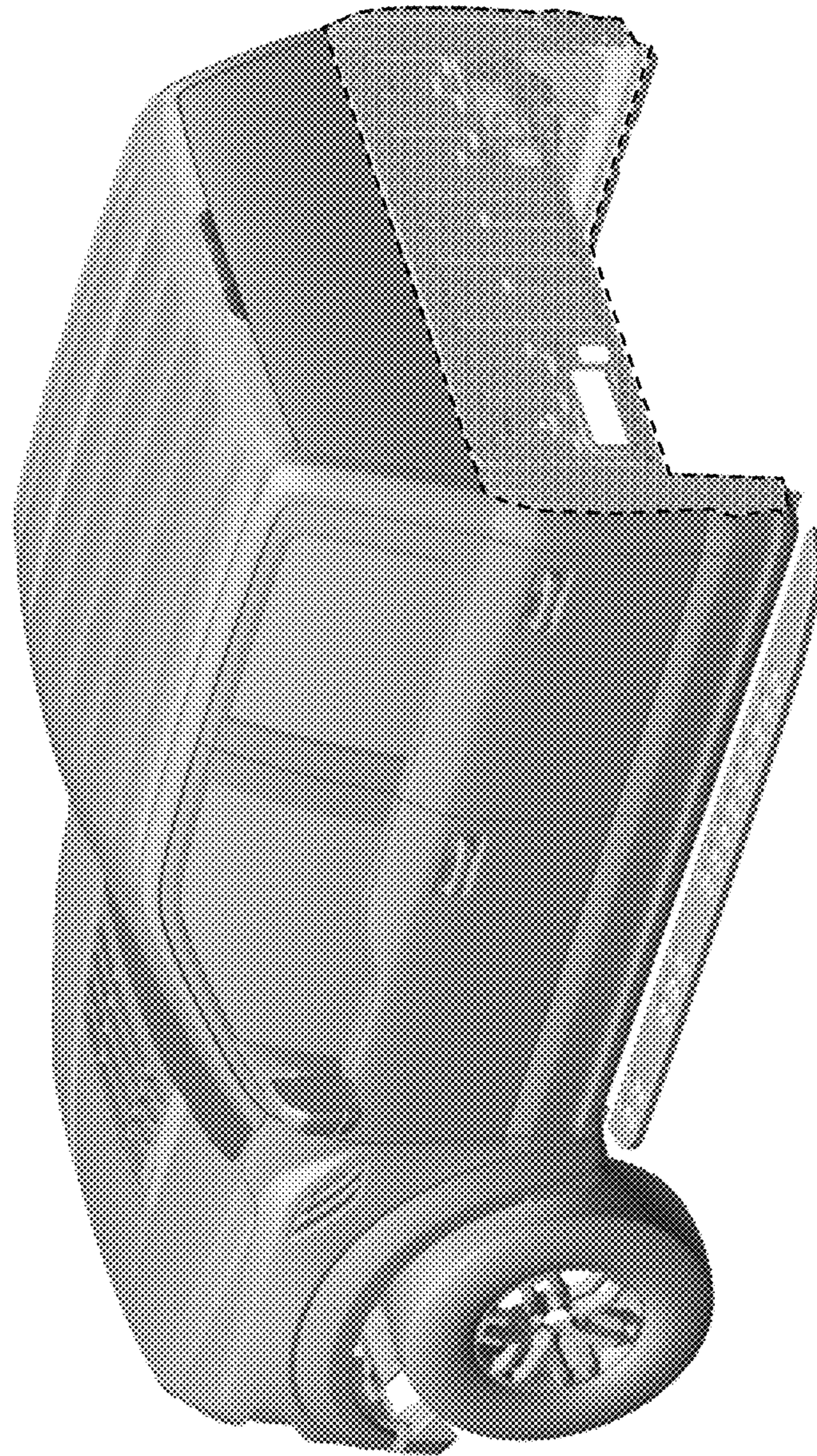


Figure 2

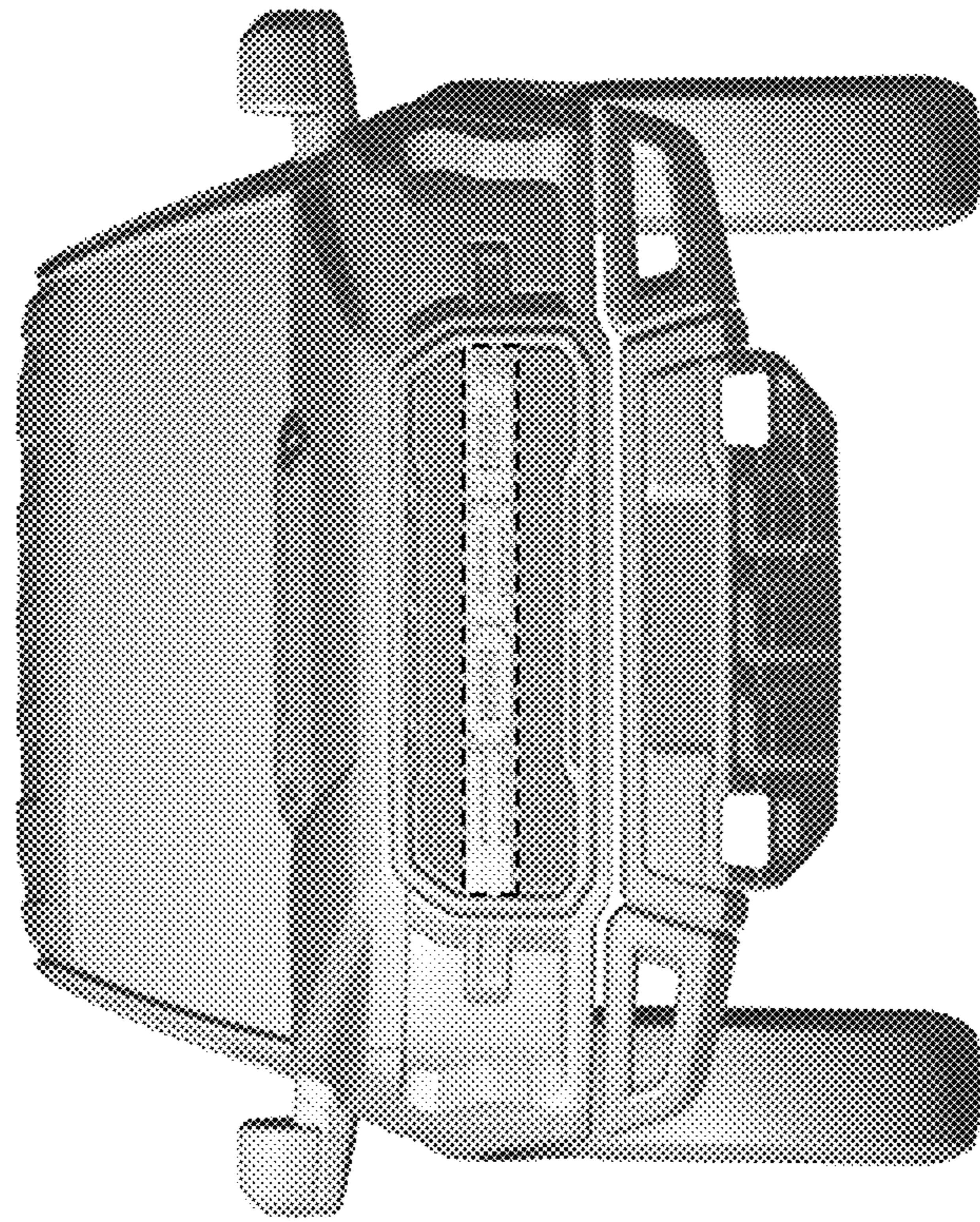


Figure 3

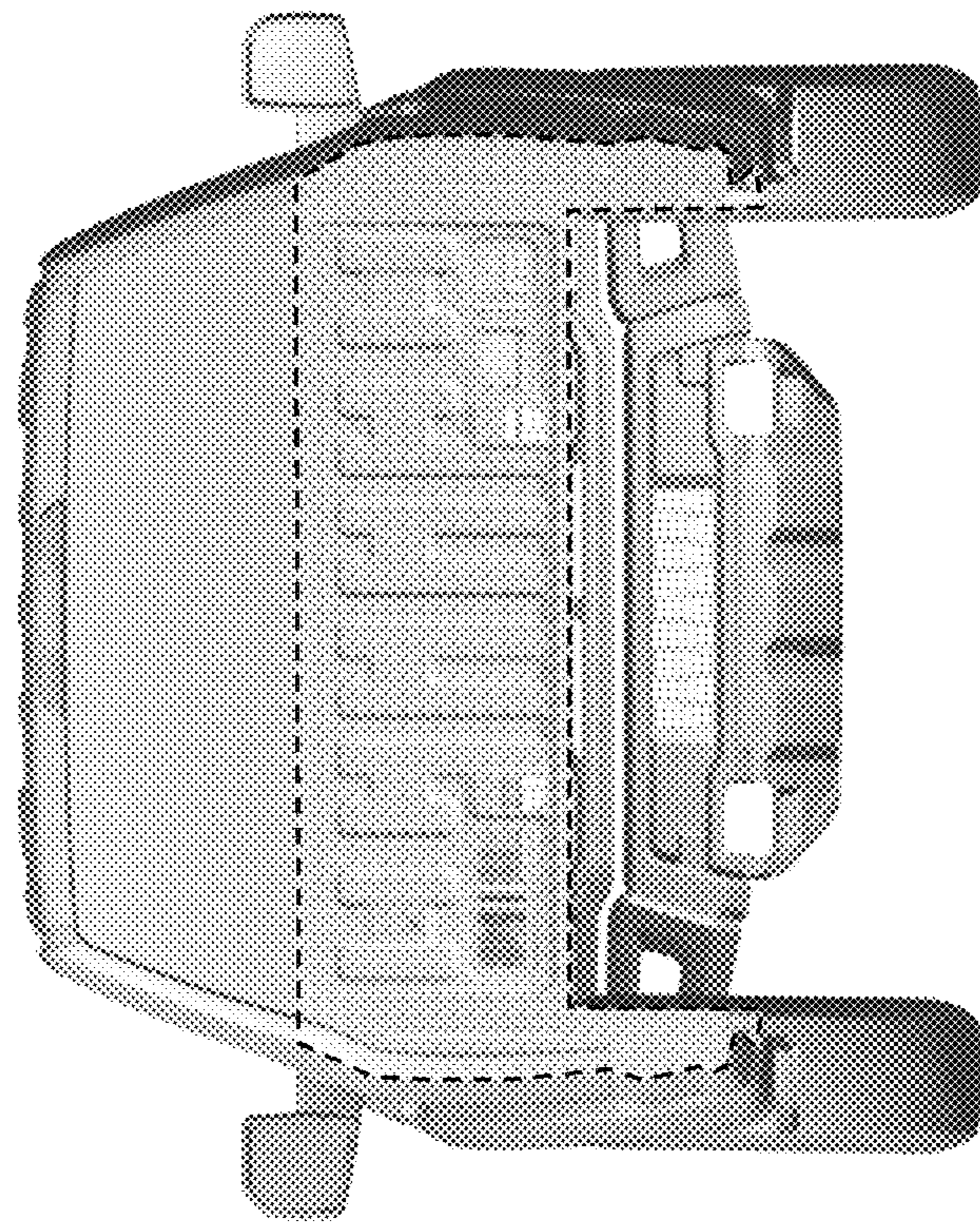


Figure 4

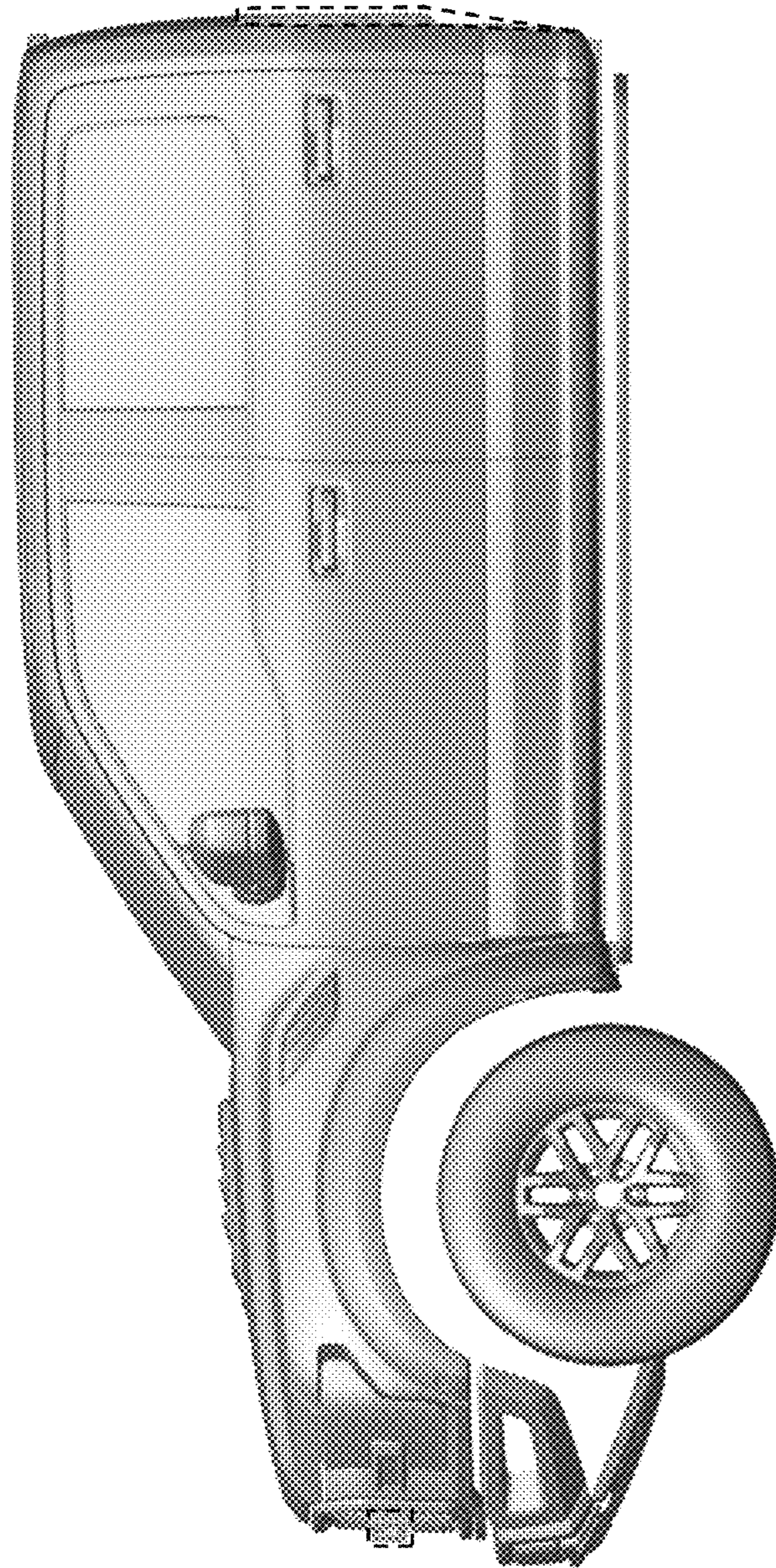


Figure 5

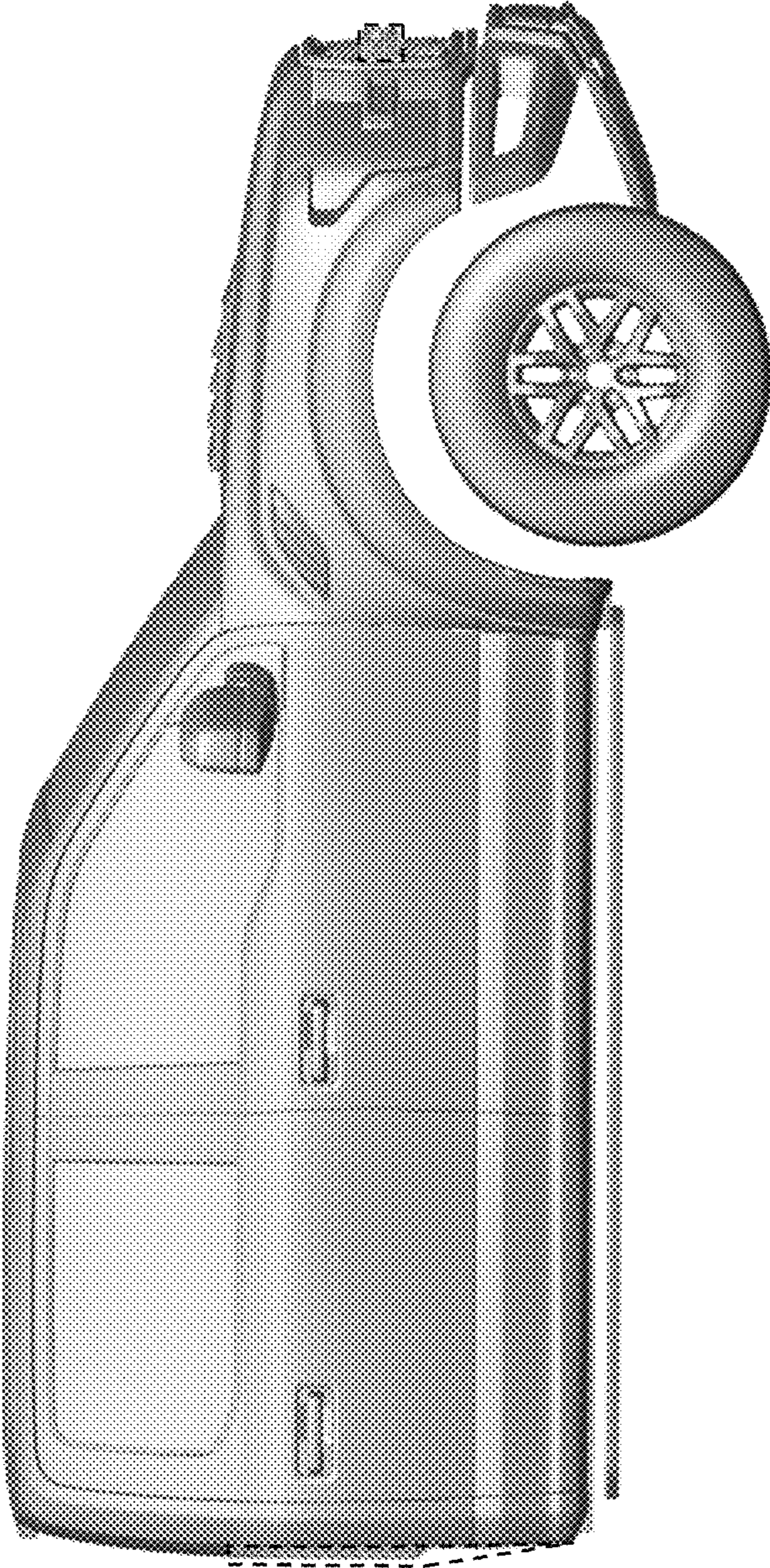


Figure 6



Figure 7