

US00D764982S

(12) **United States Design Patent**
Platto et al.

(10) **Patent No.:** **US D764,982 S**

(45) **Date of Patent:** **** Aug. 30, 2016**

(54) **VEHICLE EXTERIOR REAR PORTION**

(56) **References Cited**

(71) Applicant: **Ford Motor Company**, Dearborn, MI (US)

U.S. PATENT DOCUMENTS

(72) Inventors: **Gordon M Platto**, Troy, MI (US);
Bradley A Richards, Beverly Hills, MI (US); **Dong H Park**, Royal Oak, MI (US); **Anthony Meyer**, Ferndale, MI (US)

D600,595 S	*	9/2009	Nakamura	D12/98
D600,601 S	*	9/2009	Jung	D12/164
D607,783 S	*	1/2010	Roller	D12/98
D703,586 S	*	4/2014	Platto	D12/98
D718,675 S	*	12/2014	Sperling	D12/164
D735,081 S	*	7/2015	Sperling	D12/98
D735,082 S	*	7/2015	Sperling	D12/98
D755,679 S	*	5/2016	Sato	D12/98

(73) Assignee: **Ford Motor Company**, Dearborn, MI (US)

* cited by examiner

Primary Examiner — Melody N Brown

(**) Term: **14 Years**

(74) *Attorney, Agent, or Firm* — Damian Porcari

(21) Appl. No.: **29/513,868**

(57) **CLAIM**

The ornamental design for a vehicle exterior rear portion, as shown and described.

(22) Filed: **Jan. 6, 2015**

DESCRIPTION

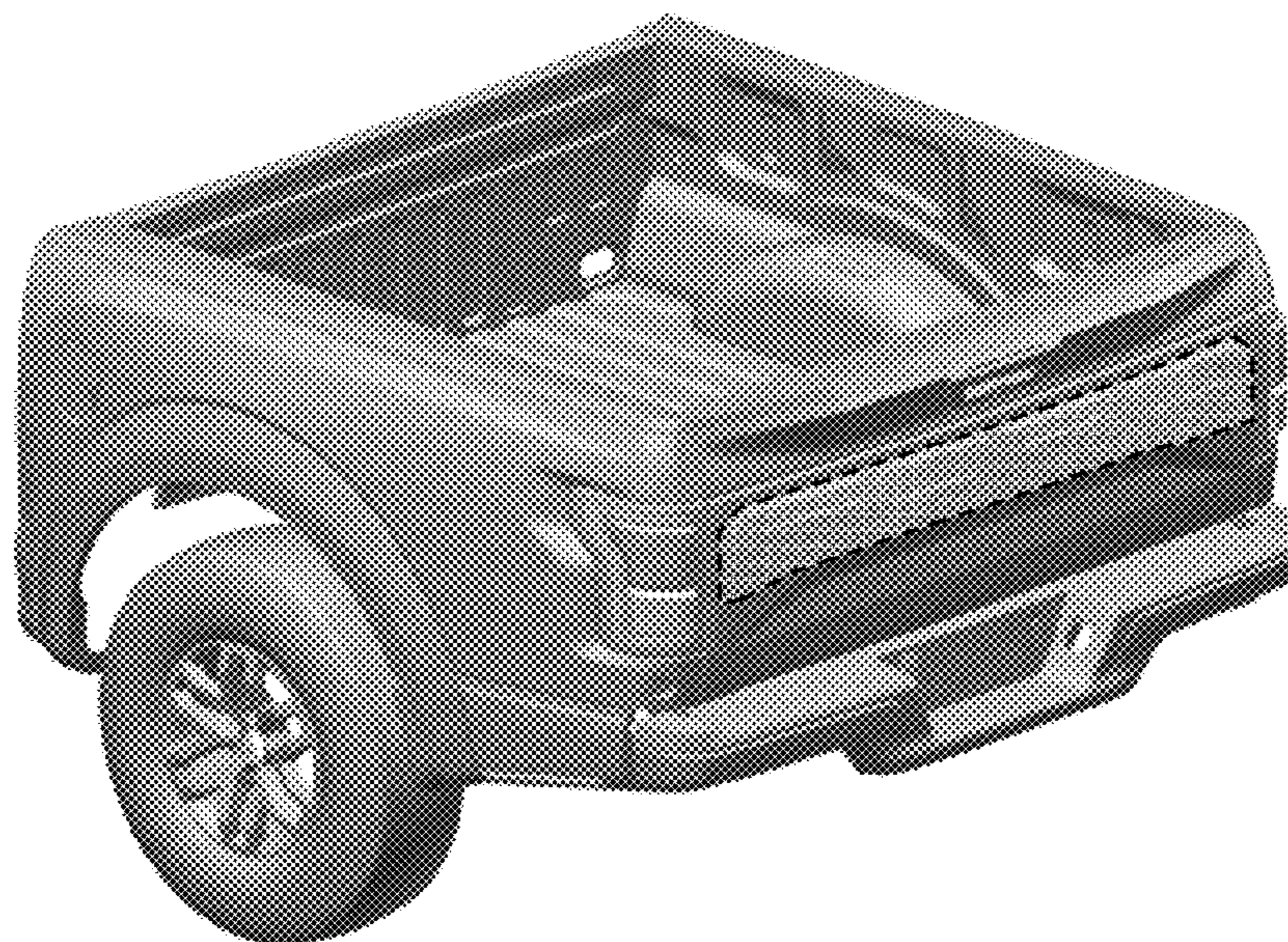
(51) **LOC (10) Cl.** **12-16**

(52) **U.S. Cl.**
USPC **D12/164**

(58) **Field of Classification Search**
USPC D12/86, 90-92, 88, 98, 164; D21/424,
D21/433, 434, 533; 296/181.1, 181.5,
296/181.3, 183.1, 37.6
CPC B60R 9/06; B62D 35/00
See application file for complete search history.

FIG. 1 is a top rear and left side perspective view of a vehicle exterior rear portion;
FIG. 2 is a top front and left side perspective view thereof;
FIG. 3 is a front elevational view thereof;
FIG. 4 is a rear elevational view thereof;
FIG. 5 is a left side elevational view thereof;
FIG. 6 is a right side elevational view thereof; and,
FIG. 7 is a top plan view thereof.

1 Claim, 7 Drawing Sheets



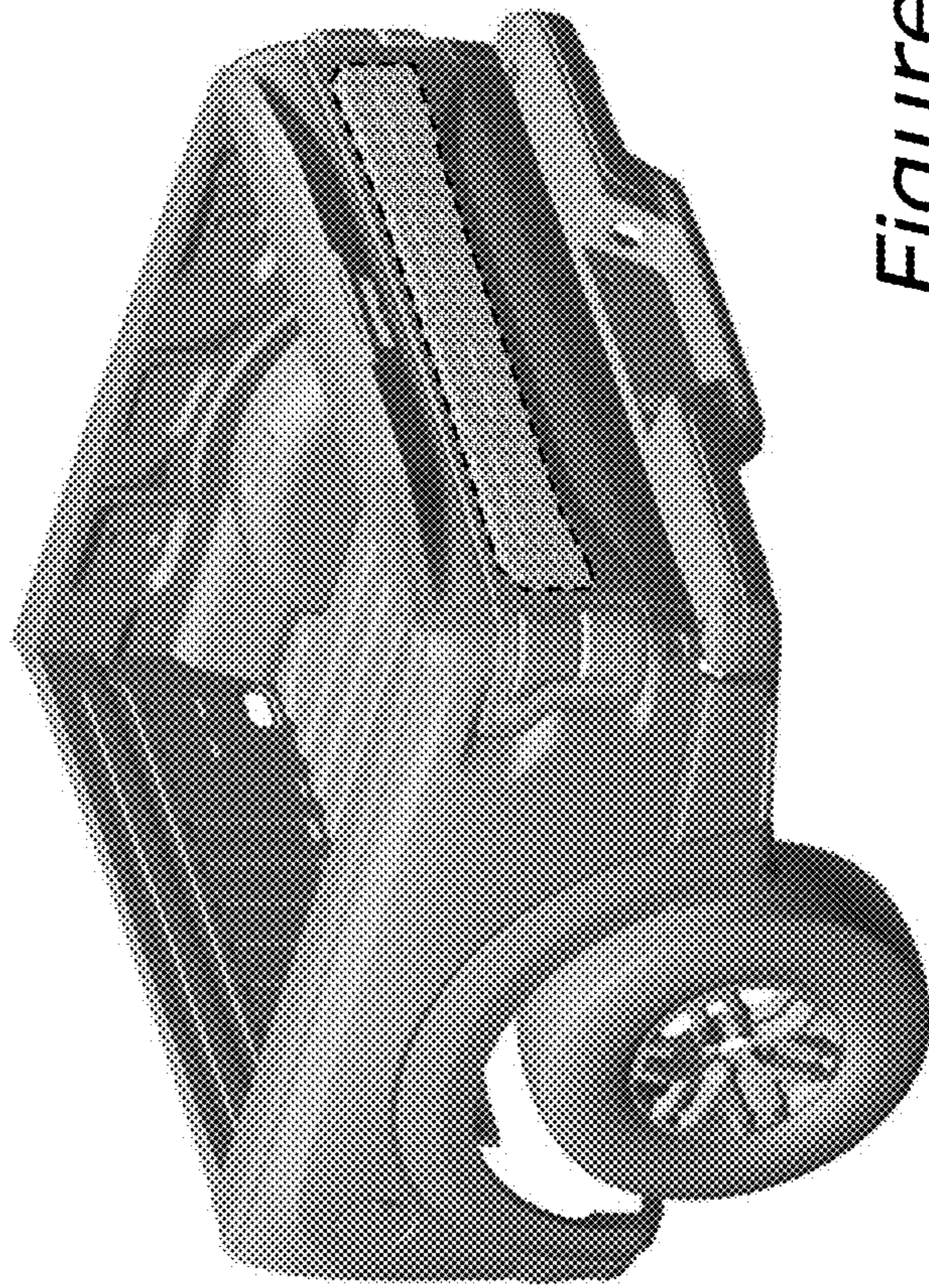


Figure 1

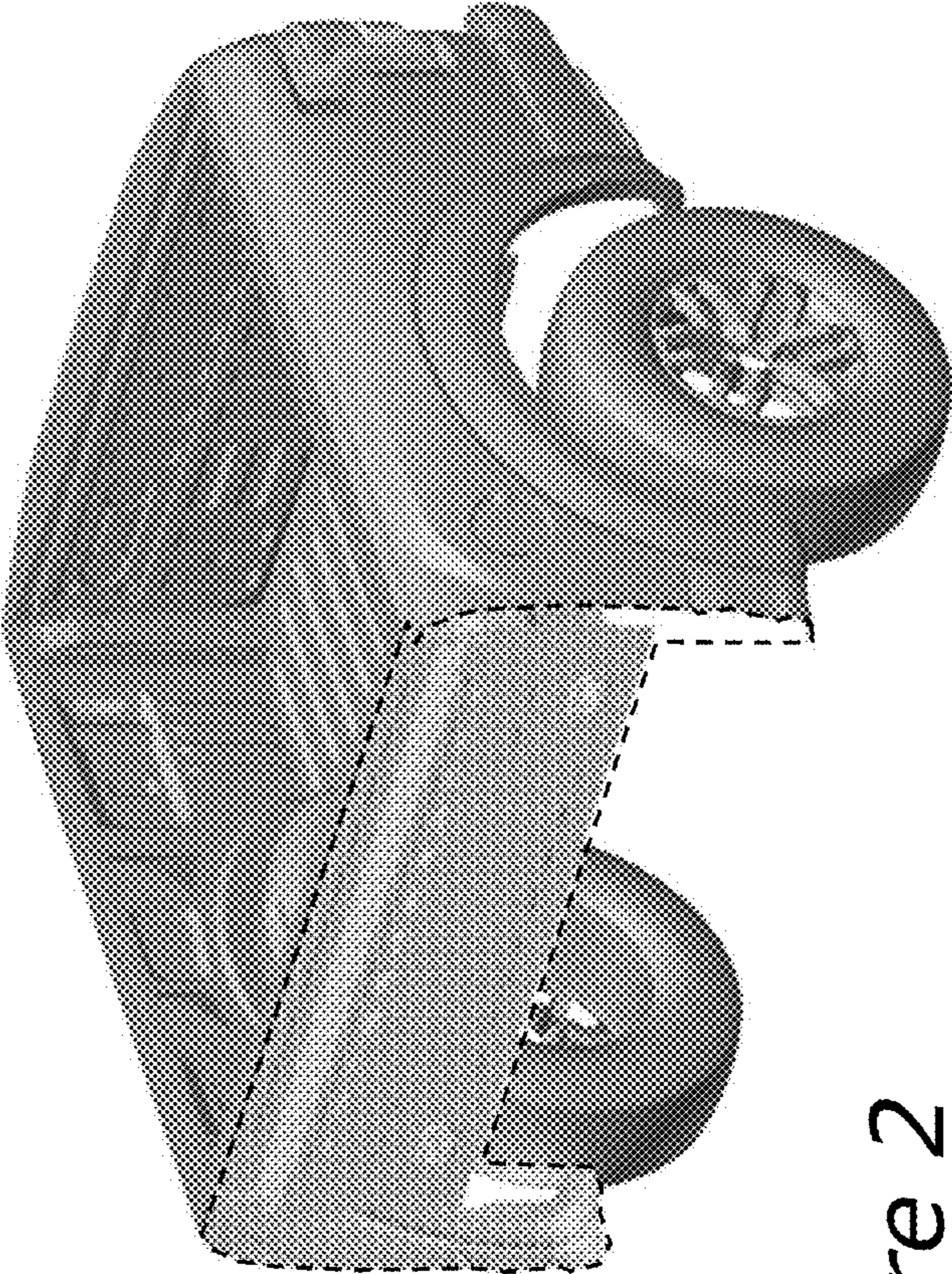


Figure 2

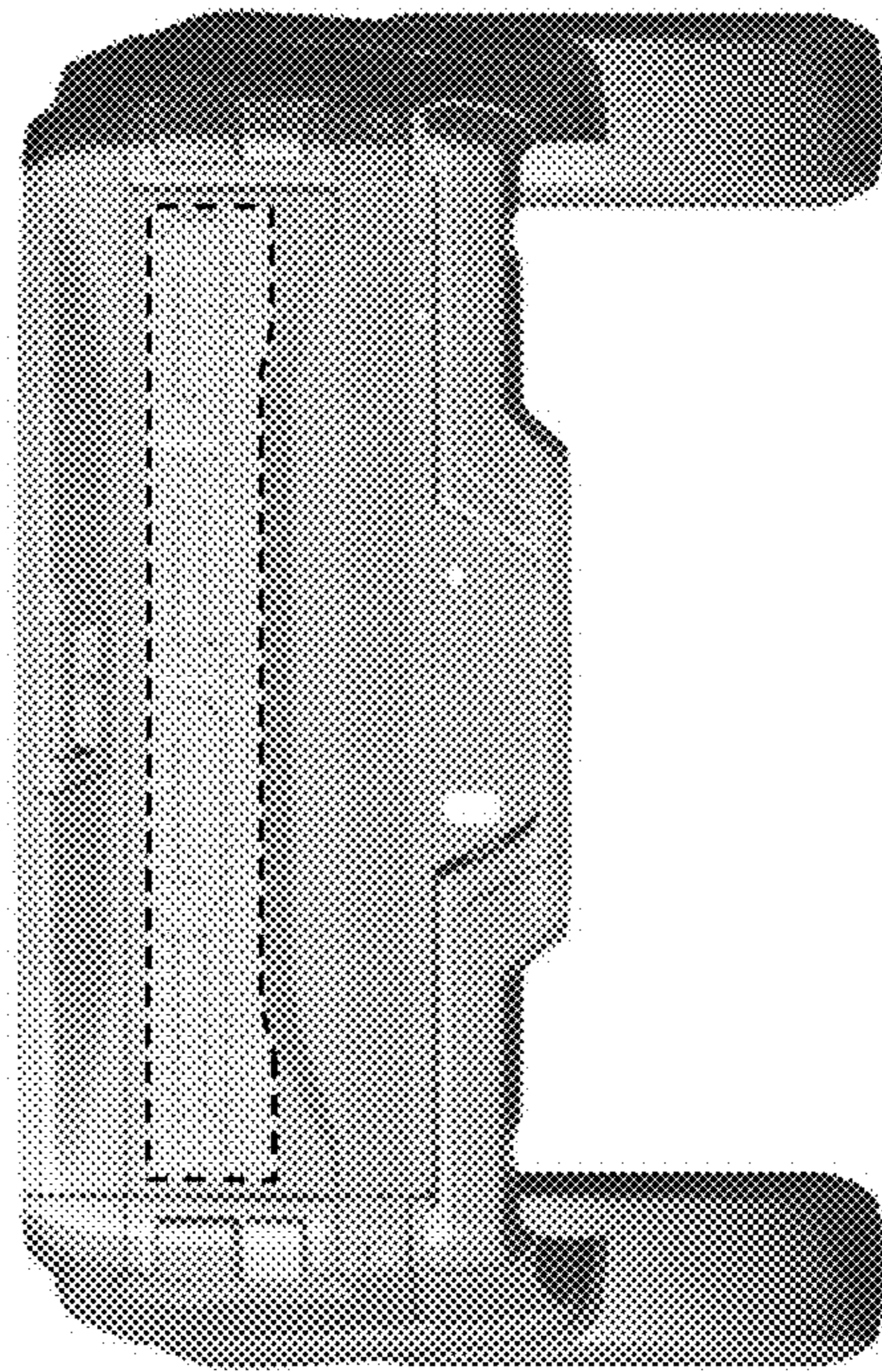


Figure 3

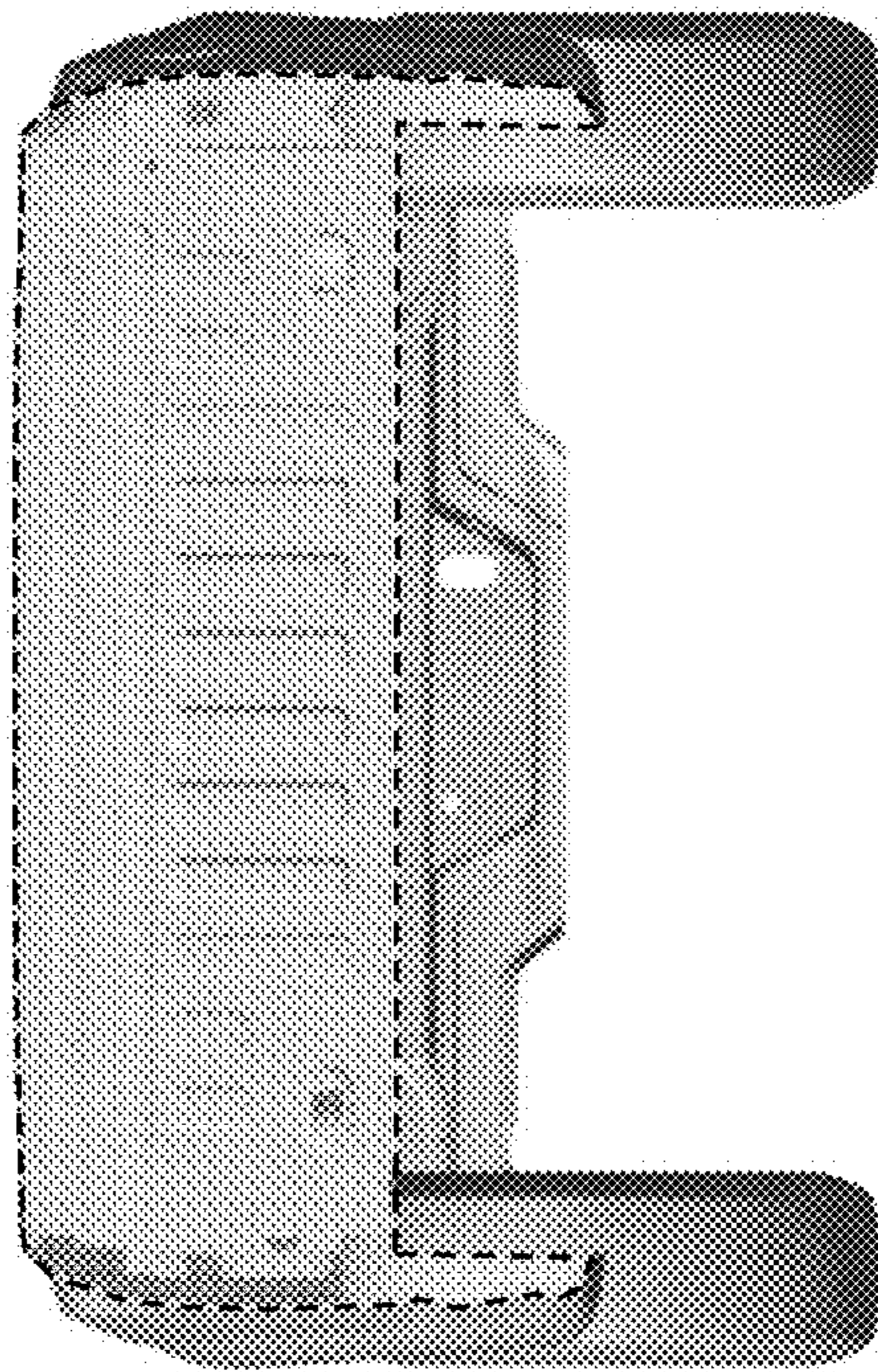


Figure 4

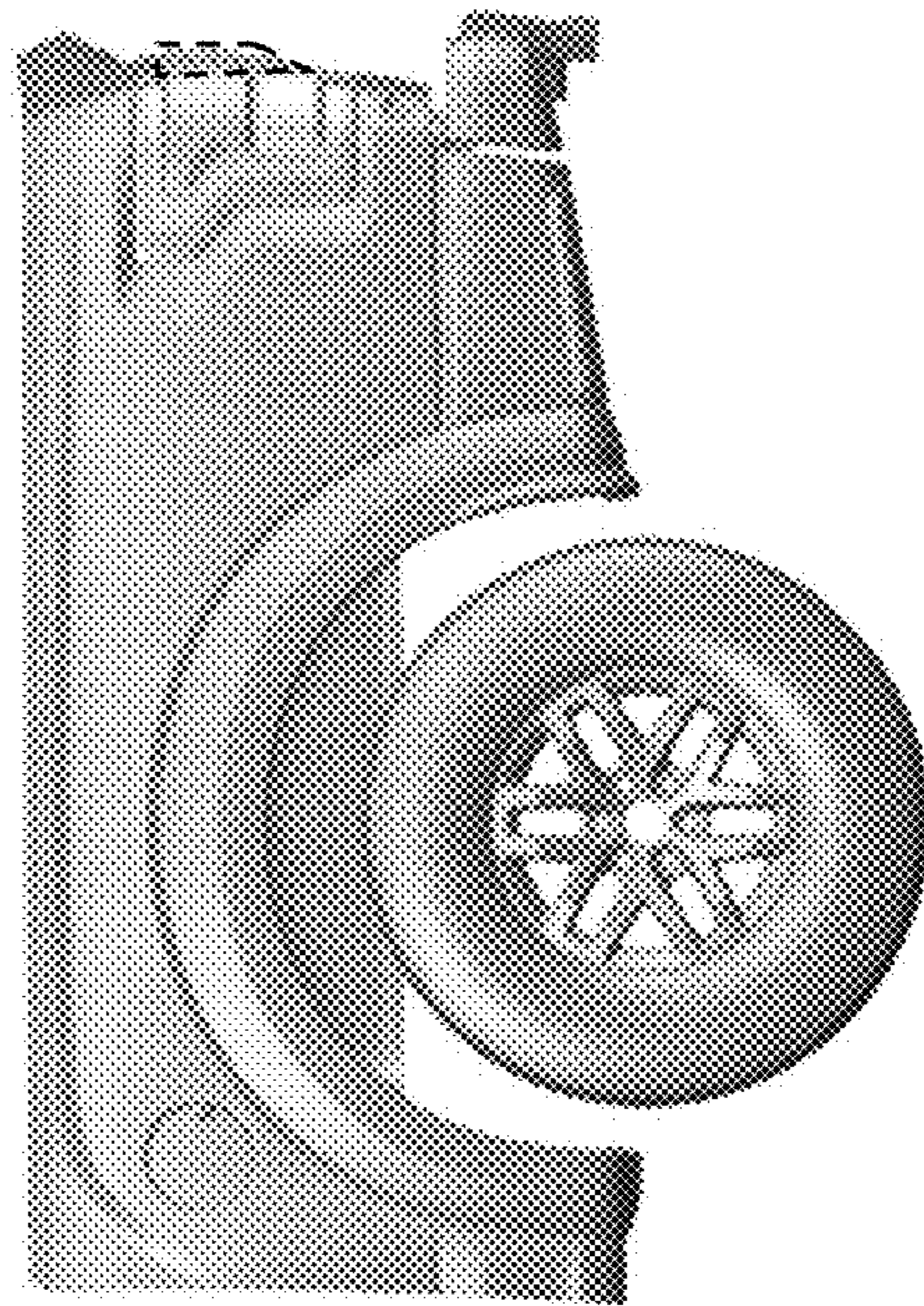


Figure 5

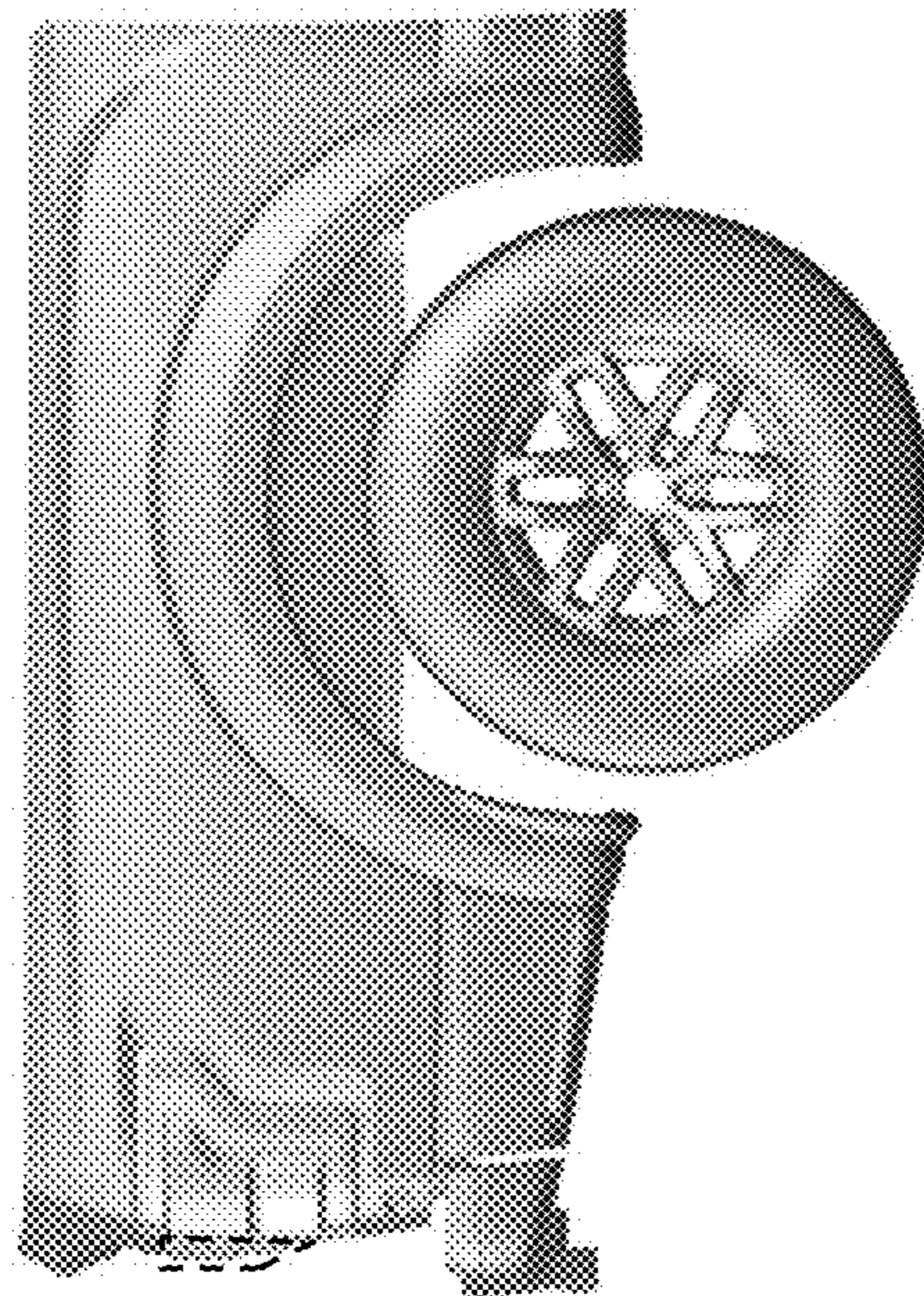


Figure 6



Figure 7