

US00D764981S

(12) **United States Design Patent**
Tsutamori

(10) **Patent No.:** **US D764,981 S**

(45) **Date of Patent:** **** Aug. 30, 2016**

(54) **GRILL FOR AUTOMOBILE**

(71) Applicant: **Honda Motor Co., Ltd.**, Tokyo (JP)

(72) Inventor: **Daisuke Tsutamori**, Wako (JP)

(73) Assignee: **Honda Motor Co., Ltd.**, Tokyo (JP)

(**) Term: **14 Years**

(21) Appl. No.: **29/520,876**

(22) Filed: **Mar. 18, 2015**

(30) **Foreign Application Priority Data**

Sep. 24, 2014 (JP) 2014-021110

(51) **LOC (10) Cl.** **12-16**

(52) **U.S. Cl.**
USPC **D12/163**

(58) **Field of Classification Search**
USPC D12/86, 90, 91, 92, 163, 169, 196, 171,
D12/216; D15/31; 180/68.1, 68.6; 293/103,
293/115, 117, 120, 193.1, 193.11
CPC B60R 19/52; B60R 2019/525; B60K
11/085; B62D 25/084; H01Q 1/32
See application file for complete search history.

(56) **References Cited**

U.S. PATENT DOCUMENTS

D515,988 S * 2/2006 Honda D12/163
D571,693 S * 6/2008 Ishii D12/163
D597,452 S * 8/2009 Nakajima D12/163
D614,543 S * 4/2010 Kitazumi D12/163
7,887,125 B2 * 2/2011 Tazaki B60R 19/52
296/187.09

D637,532 S * 5/2011 Miyazawa D12/163
D651,141 S * 12/2011 Tachibana D12/163
D665,316 S * 8/2012 Asakura D12/163
D680,034 S * 4/2013 Sugiura D12/163
D702,601 S * 4/2014 Wada D12/163
D705,136 S * 5/2014 Miyazawa D12/163
D717,217 S * 11/2014 Murakawa D12/163
D720,264 S * 12/2014 Hanaoka D12/163
D721,020 S * 1/2015 Hanaoka D12/163
D722,543 S * 2/2015 Kato D12/163
D738,798 S * 9/2015 Morikawa D12/163
D752,484 S * 3/2016 Davidson D12/163
D752,485 S * 3/2016 Chung D12/163
2004/0178664 A1 * 9/2004 Hyuga B62D 29/043
296/193.1
2013/0107046 A1 * 5/2013 Fogue B60R 11/04
348/148

* cited by examiner

Primary Examiner — Philip S Hyder

Assistant Examiner — Darlington Ly

(74) *Attorney, Agent, or Firm* — Plumsea Law Group, LLC

(57) **CLAIM**

The ornamental design for a grill for automobile, as shown and described.

DESCRIPTION

FIG. 1 is a perspective view from the front side of a grill for automobile.

FIG. 2 is a front elevation view thereof.

FIG. 3 is a top plan view thereof.

FIG. 4 is a right side elevation view thereof; and,

FIG. 5 is a left side elevation view thereof.

The broken lines shown in the drawings illustrate portions of the grill that form no part of claimed design.

1 Claim, 5 Drawing Sheets

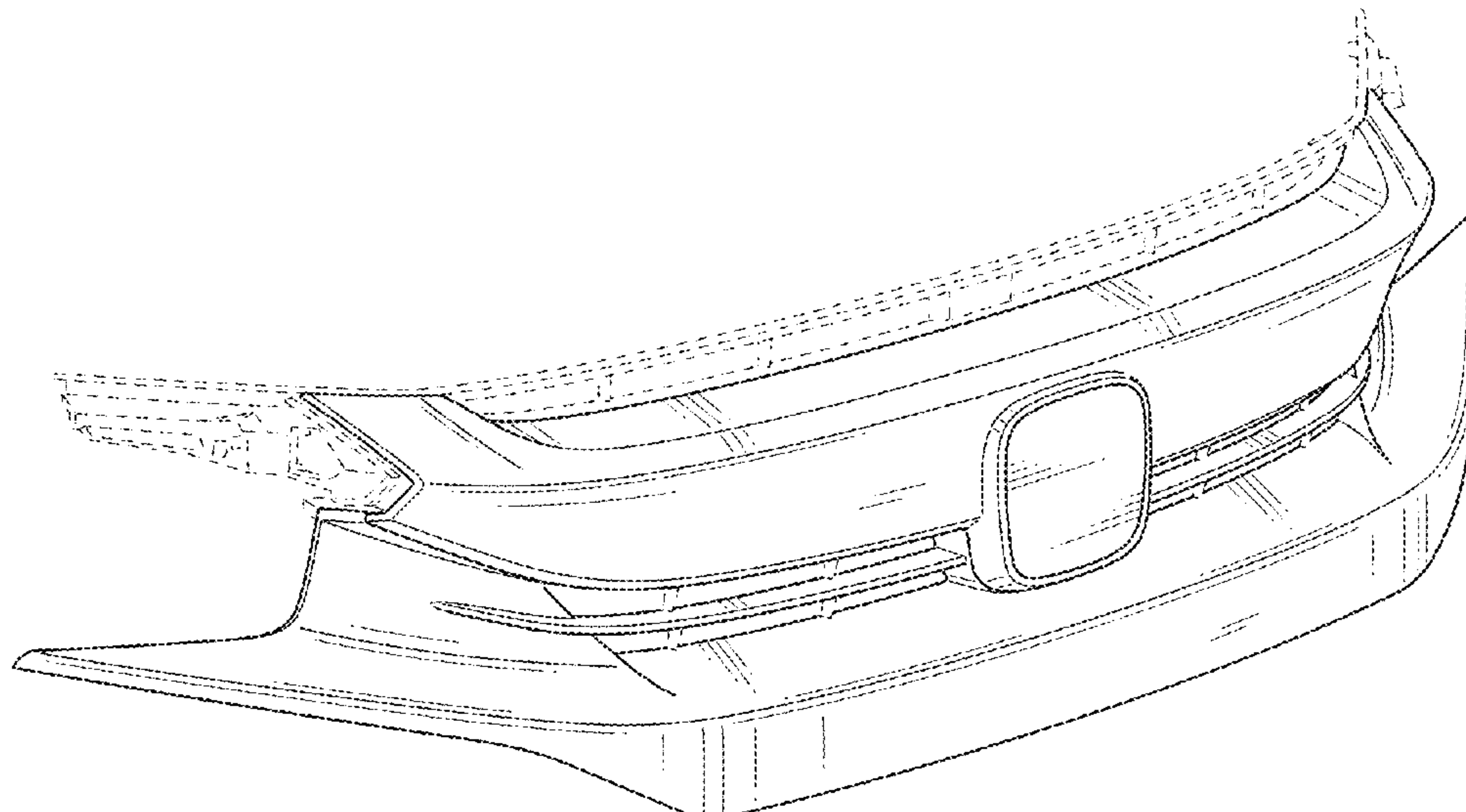


FIG. 1

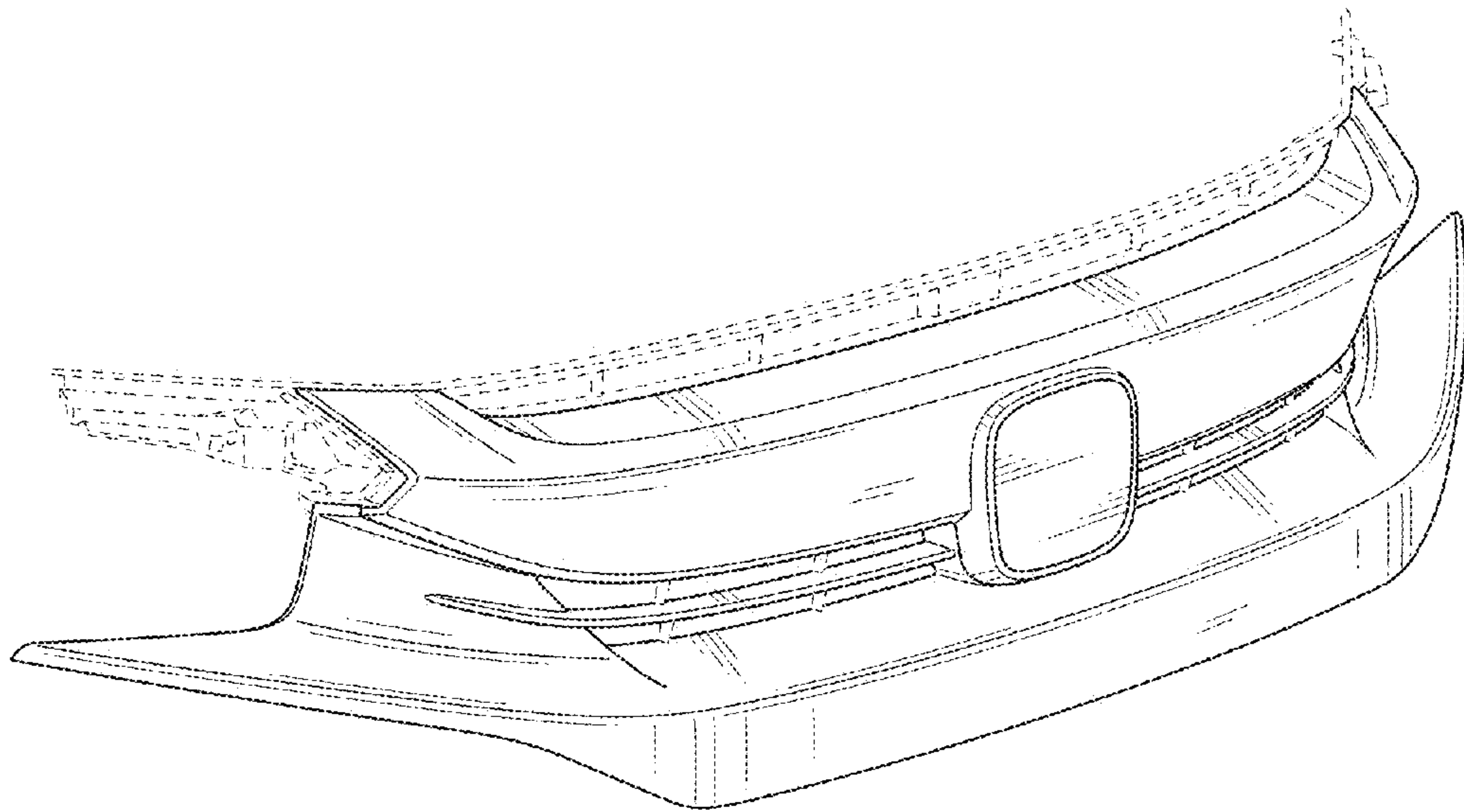


FIG. 2

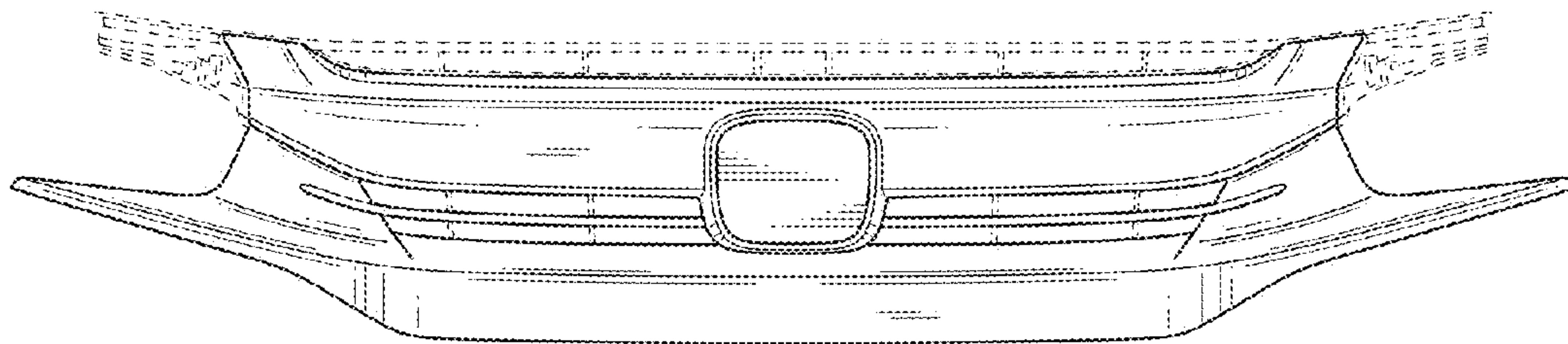


FIG. 3

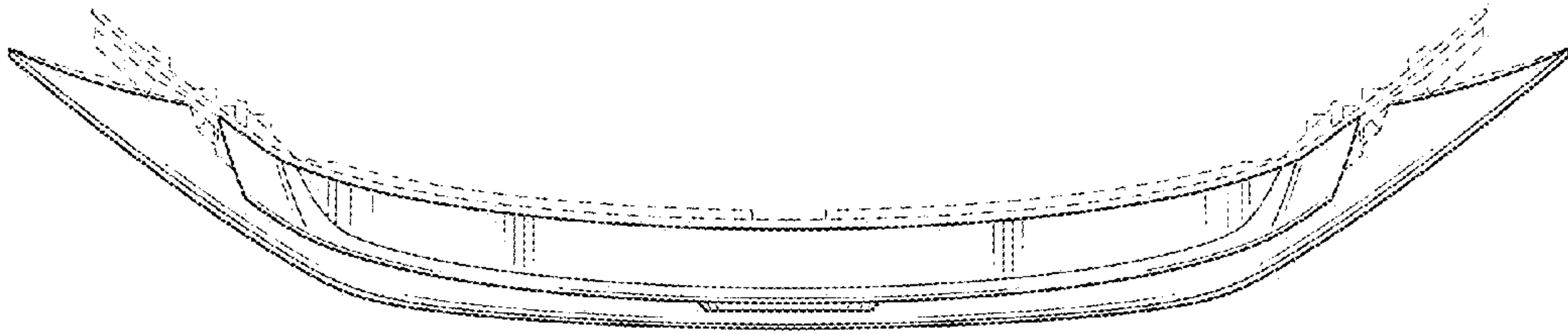


FIG. 4

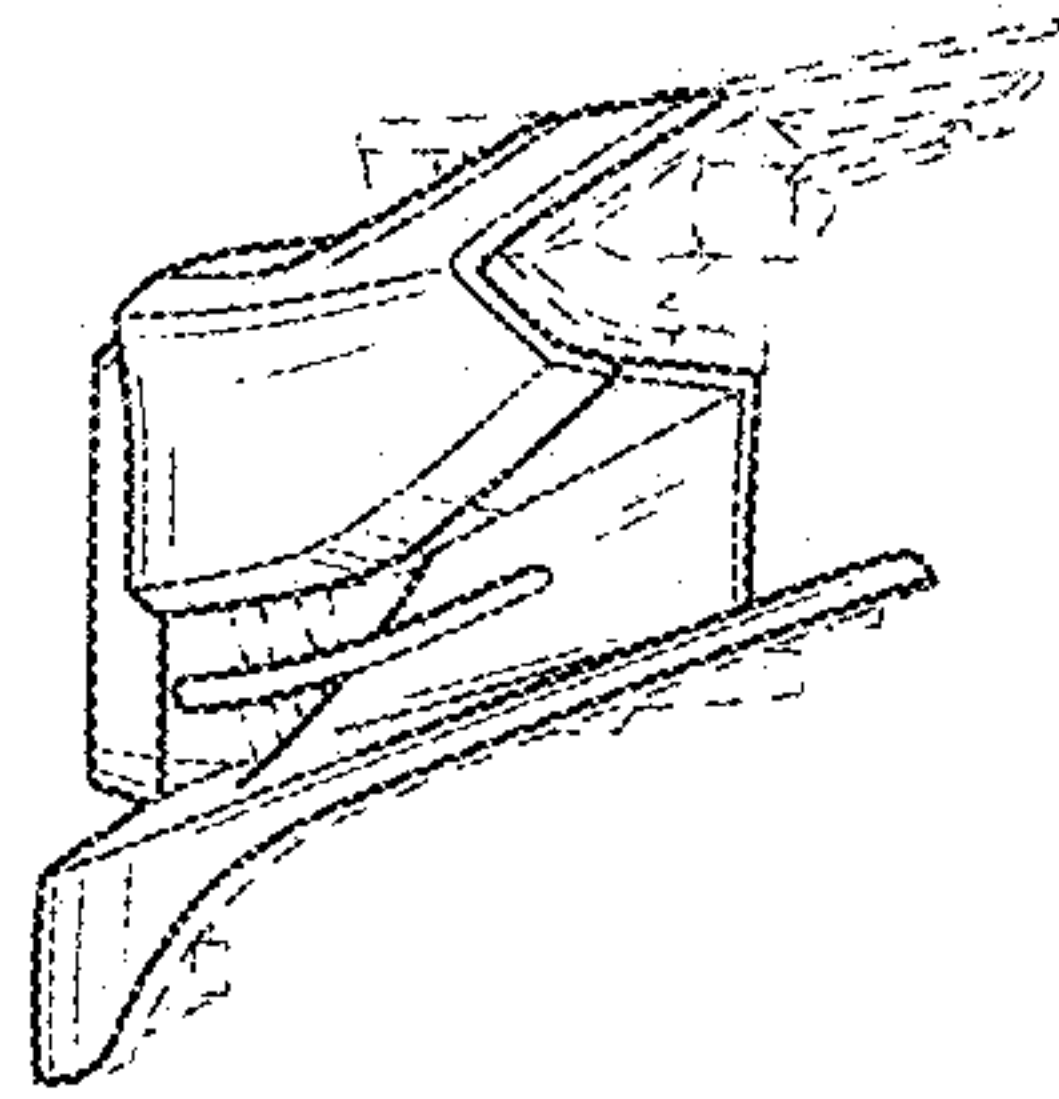


FIG. 5

