



US00D764976S

(12) **United States Design Patent**
Aengenheyster

(10) **Patent No.:** **US D764,976 S**

(45) **Date of Patent:** **** Aug. 30, 2016**

(54) **MOTOR CAR**

(71) Applicant: **GM Global Technology Operations LLC, Detroit, MI (US)**

(72) Inventor: **Carsten Aengenheyster, Bickenbach (DE)**

(73) Assignee: **GM Global Technology Operations LLC, Detroit, MI (US)**

(**) Term: **14 Years**

(21) Appl. No.: **29/518,464**

(22) Filed: **Feb. 24, 2015**

(30) **Foreign Application Priority Data**

Aug. 25, 2014 (EM) 002 524 371

(51) **LOC (10) CL.** **12-08**

(52) **U.S. CL.**
USPC **D12/91**

(58) **Field of Classification Search**
USPC D12/86, 90-92; D21/421, 433, 434;
296/181.1, 181.5

CPC B62D 35/00; B62D 25/00; B62D 25/06;
B62D 25/08; B62D 33/00

See application file for complete search history.

(56) **References Cited**

U.S. PATENT DOCUMENTS

D570,742 S	6/2008	Takagi et al.
D592,105 S	5/2009	Dean et al.
D597,447 S	8/2009	Folden
D600,595 S	9/2009	Nakamura et al.
D601,925 S	10/2009	O'Donnell
D603,755 S	11/2009	Peters
D604,203 S	11/2009	O'Donnell
D605,082 S	12/2009	Munson
D605,083 S	12/2009	Manoogian, II et al.

D605,977 S	12/2009	Zipfel et al.
D605,978 S	12/2009	Wolff et al.
D608,249 S	1/2010	Peters
D608,690 S	1/2010	Folden et al.
D608,691 S	1/2010	Zak, Jr. et al.
D609,608 S	2/2010	Boniface et al.
D611,387 S	3/2010	Thompson et al.
D611,879 S	3/2010	Kim et al.
D612,297 S	3/2010	Peters et al.
D613,645 S	4/2010	Song et al.
D615,458 S	5/2010	Thompson et al.
D618,595 S	6/2010	Ware et al.
D623,090 S	9/2010	Cox et al.
D627,262 S	11/2010	Ikeda et al.
D635,488 S	4/2011	Phipps

(Continued)

OTHER PUBLICATIONS

Design U.S. Appl. No. 29/439,307, filed Dec. 10, 2012; First Named Inventor: Brendon C. Mackay; Title: Vehicle Body Exterior.

(Continued)

Primary Examiner — Melody N Brown

(74) *Attorney, Agent, or Firm* — Reising Ethington P.C.

(57) **CLAIM**

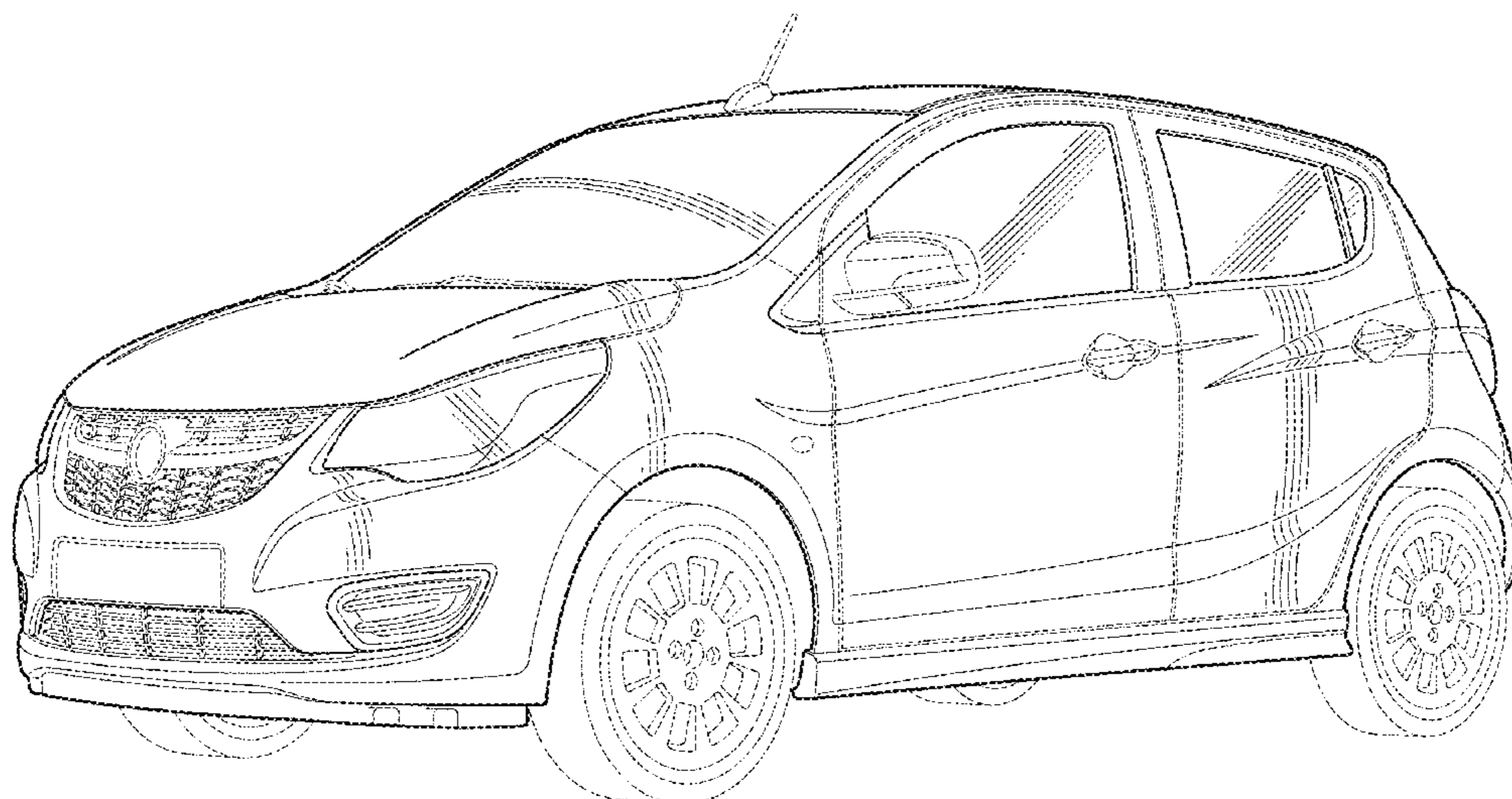
The ornamental design for a motor car, as shown and described.

DESCRIPTION

FIG. 1 is a front and left side perspective view of the motor car;
FIG. 2 is a rear and right side perspective view thereof;
FIG. 3 is a left side elevation view thereof;
FIG. 4 is a right side elevation view thereof;
FIG. 5 is a front elevation view thereof;
FIG. 6 is a rear elevation view thereof; and,
FIG. 7 is a top plan view thereof.

The broken lines shown in the drawings depict portions of the motor car that form no part of the claimed design.

1 Claim, 6 Drawing Sheets



(56)

References Cited

OTHER PUBLICATIONS

U.S. PATENT DOCUMENTS

D644,147 S 8/2011 Suh et al.
 D644,567 S 9/2011 Kozub
 D657,718 S 4/2012 Zipfel et al.
 D659,052 S 5/2012 Ware et al.
 D659,053 S 5/2012 Ware et al.
 D668,182 S 10/2012 Barba Franco
 D668,183 S 10/2012 Smart
 D678,820 S 3/2013 Song et al.
 D678,821 S 3/2013 Ikeda et al.
 D680,909 S 4/2013 Munson et al.
 D680,910 S 4/2013 David
 D684,899 S 6/2013 Baker
 D686,536 S 7/2013 McCabe et al.
 D692,798 S 11/2013 Thurber
 D692,799 S 11/2013 Smith et al.
 D696,157 S 12/2013 Loeb
 D699,629 S 2/2014 Ikeda et al.
 D700,871 S 3/2014 O'Donnell et al.
 D703,103 S 4/2014 Lee
 D704,103 S 5/2014 Mack et al.
 D705,132 S 5/2014 Ware et al.
 D705,699 S 5/2014 Ware et al.
 D713,298 S 9/2014 Dyson
 D713,764 S 9/2014 Ferlazzo
 D716,696 S 11/2014 Thole et al.
 D717,696 S 11/2014 Thole et al.
 D718,189 S 11/2014 Krieg et al.
 D722,282 S 2/2015 Loeb
 D722,533 S 2/2015 Thole et al.
 D722,534 S 2/2015 Munson et al.
 D732,432 S * 6/2015 Aengenheyster D12/91
 D732,433 S * 6/2015 Aengenheyster D12/91
 D735,611 S * 8/2015 Aengenheyster D12/91
 D741,225 S * 10/2015 Baik D12/91
 D741,227 S * 10/2015 Messale D12/92

Design U.S. Appl. No. 29/475,782, filed Dec. 6, 2013; First Named Inventor: Niels Loeb; Title: Motor Car.
 Design U.S. Appl. No. 29/478,287, filed Jan. 3, 2014; First Named Inventor: Boris Jacob; Title: Motor Car.
 Design U.S. Appl. No. 29/478,501, filed Jan. 6, 2014; First Named Inventor: Robert B. McMahan; Title: Vehicle Body Exterior.
 Design U.S. Appl. No. 29/487,899, filed Apr. 14, 2014; First Named Inventor: Carsten Aengenheyster; Title: Motor Car.
 Design U.S. Appl. No. 29/491,286, filed May 20, 2014; First Named Inventor: Robert B. McMahan; Title: Vehicle Body Exterior.
 Design U.S. Appl. No. 29/492,639, filed Jun. 2, 2014; First Named Inventor: Jeasoo Kim; Title: Vehicle Body Exterior.
 Design U.S. Appl. No. 29/498,301, filed Aug. 1, 2014; First Named Inventor: Niki J. Smart Title: Vehicle Body Exterior.
 Design U.S. Appl. No. 29/499,464, filed Aug. 15, 2014; First Named Inventor: Niels Loeb; Title: Motor Car.
 Design U.S. Appl. No. 29/499,467, filed Aug. 15, 2014; First Named Inventor: Niels Loeb; Title: Motor Car.
 Design U.S. Appl. No. 29/499,475, filed Aug. 15, 2014; First Named Inventor: Niels Loeb; Title: Motor Car.
 Design U.S. Appl. No. 29/499,479, filed Aug. 15, 2014; First Named Inventor: Carsten Aengenheyster; Title: Motor Car.
 Design U.S. Appl. No. 29/499,480, filed Aug. 15, 2014; First Named Inventor: Carsten Aengenheyster; Title: Motor Car.
 Design U.S. Appl. No. 29/499,824, filed Aug. 19, 2014; First Named Inventor: Niels Loeb; Title: Motor Car.
 Design U.S. Appl. No. 29/499,829, filed Aug. 19, 2014; First Named Inventor: Niels Loeb; Title: Motor Car.
 Design U.S. Appl. No. 29/506,337, filed Oct. 15, 2014; First Named Inventor: Timothy P. Kozub; Title: Vehicle Body Exterior.
 Design U.S. Appl. No. 29/518,143, filed Feb. 20, 2015; First Named Inventor: Carsten Aengenheyster; Title: Motor Car.

* cited by examiner

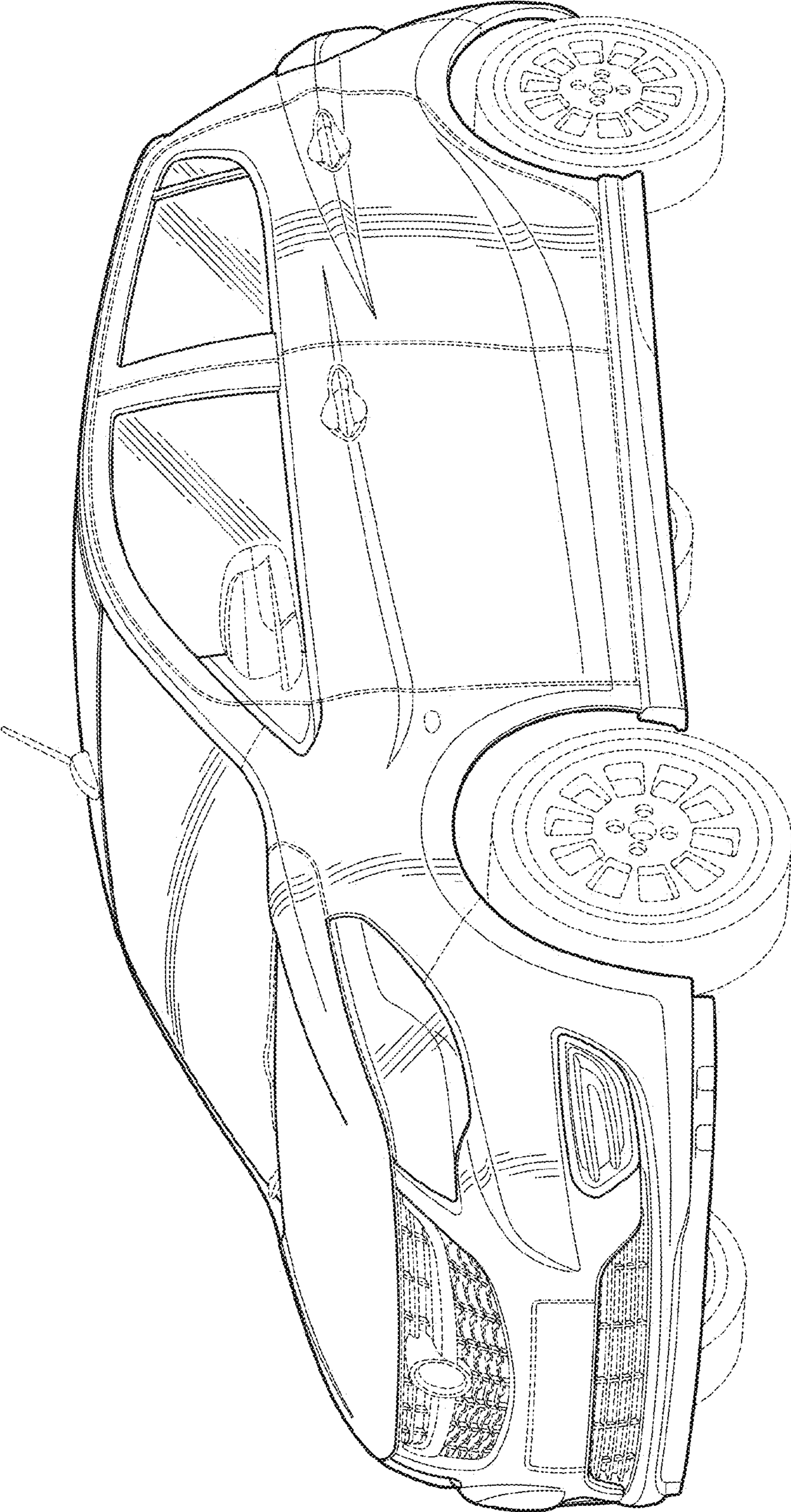


FIG. 1

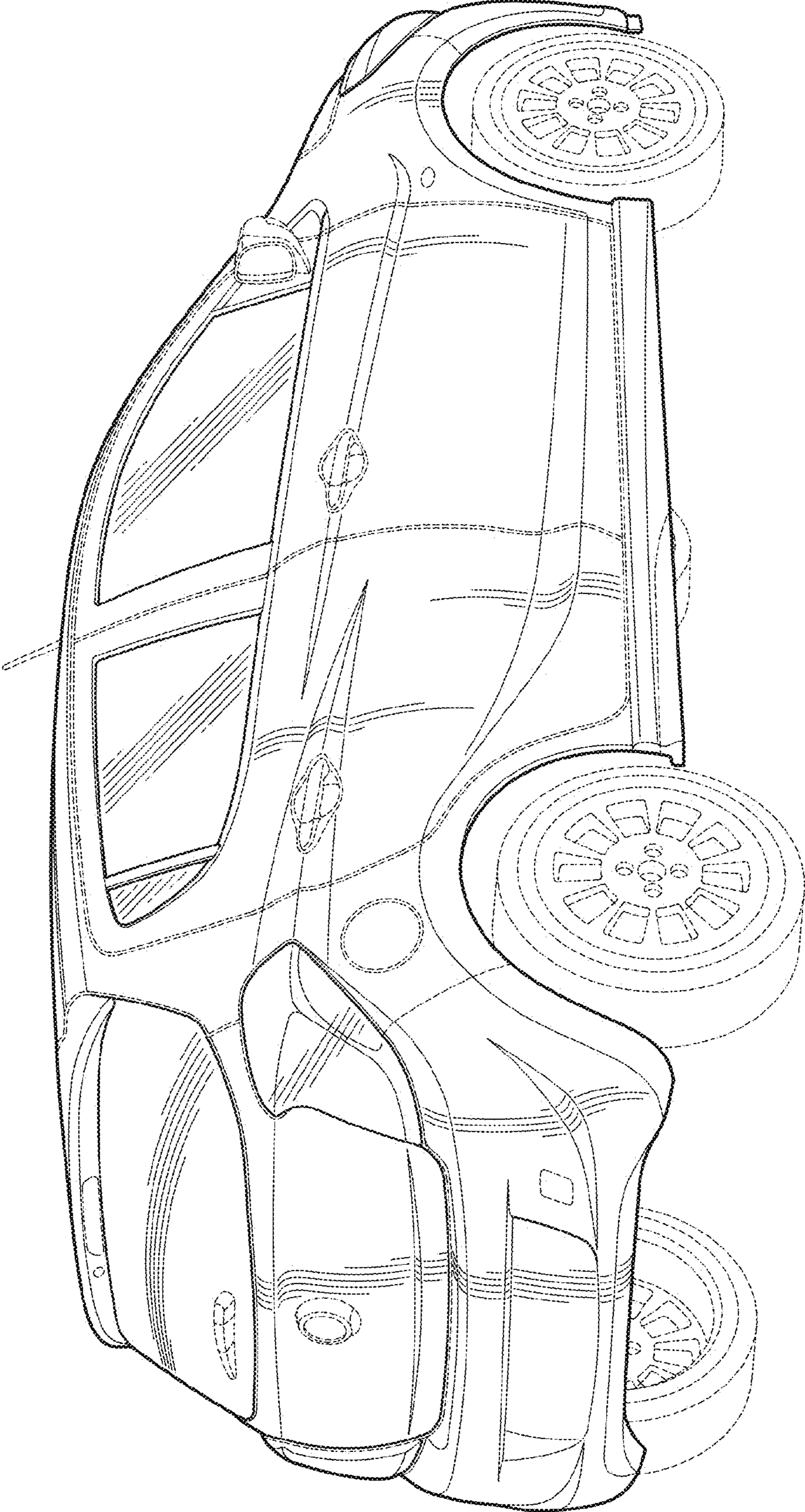


FIG. 2

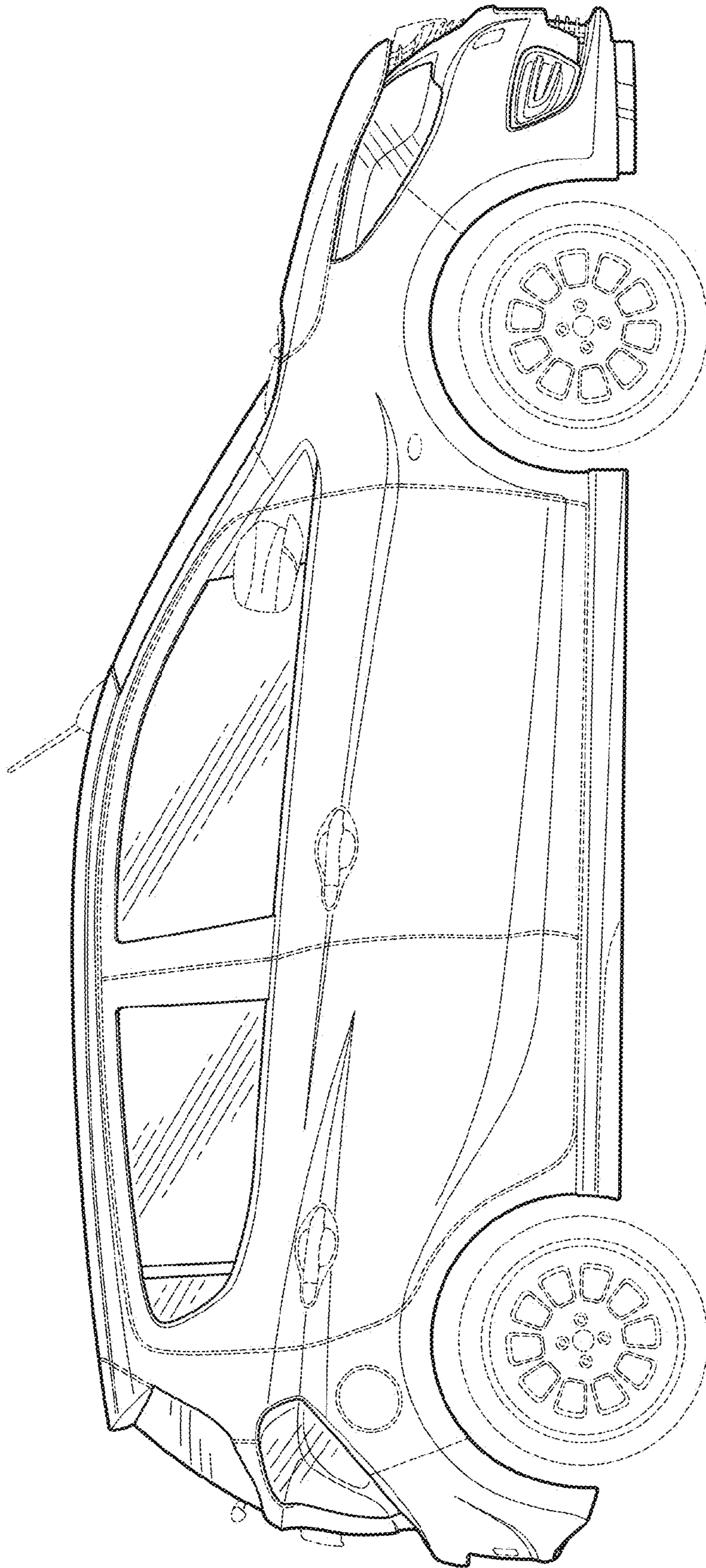


FIG. 3

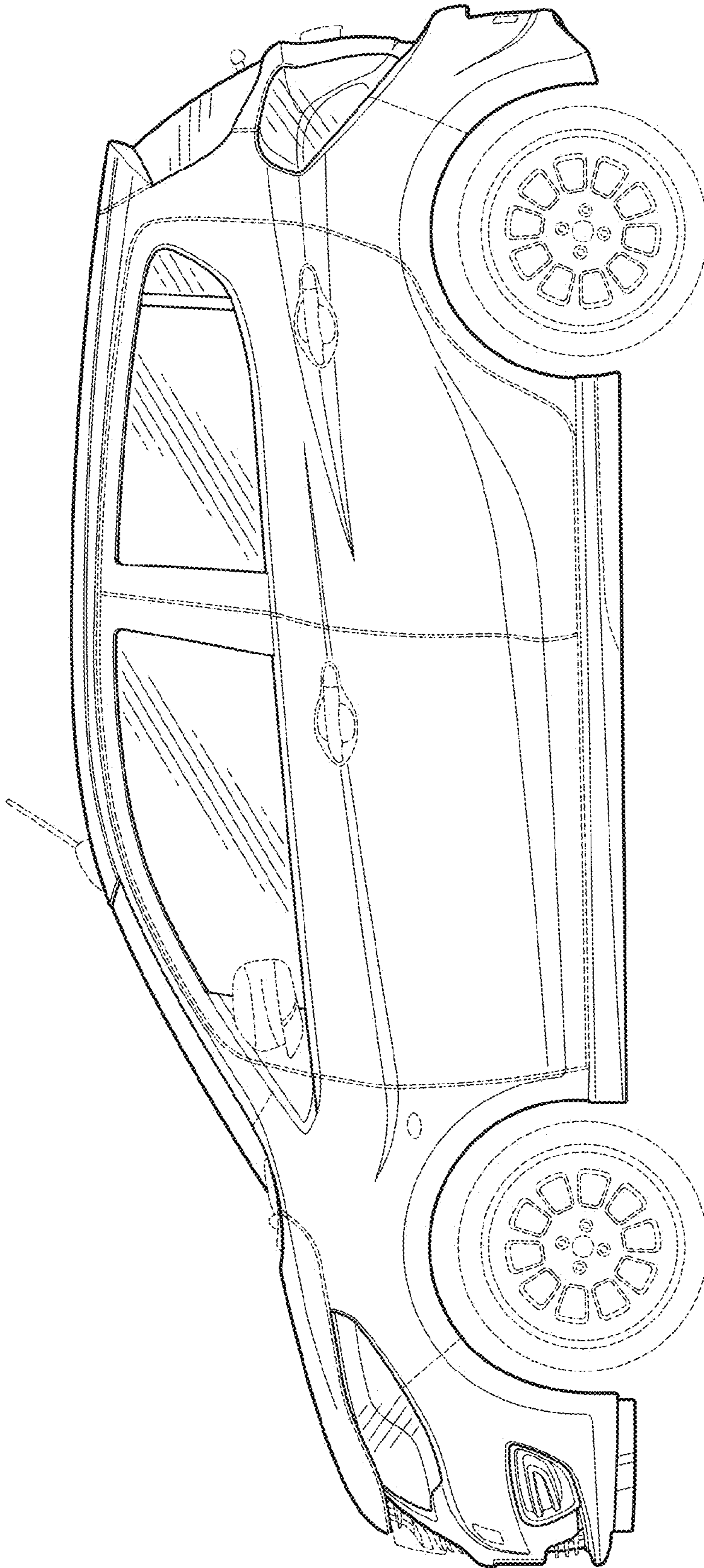


FIG. 4

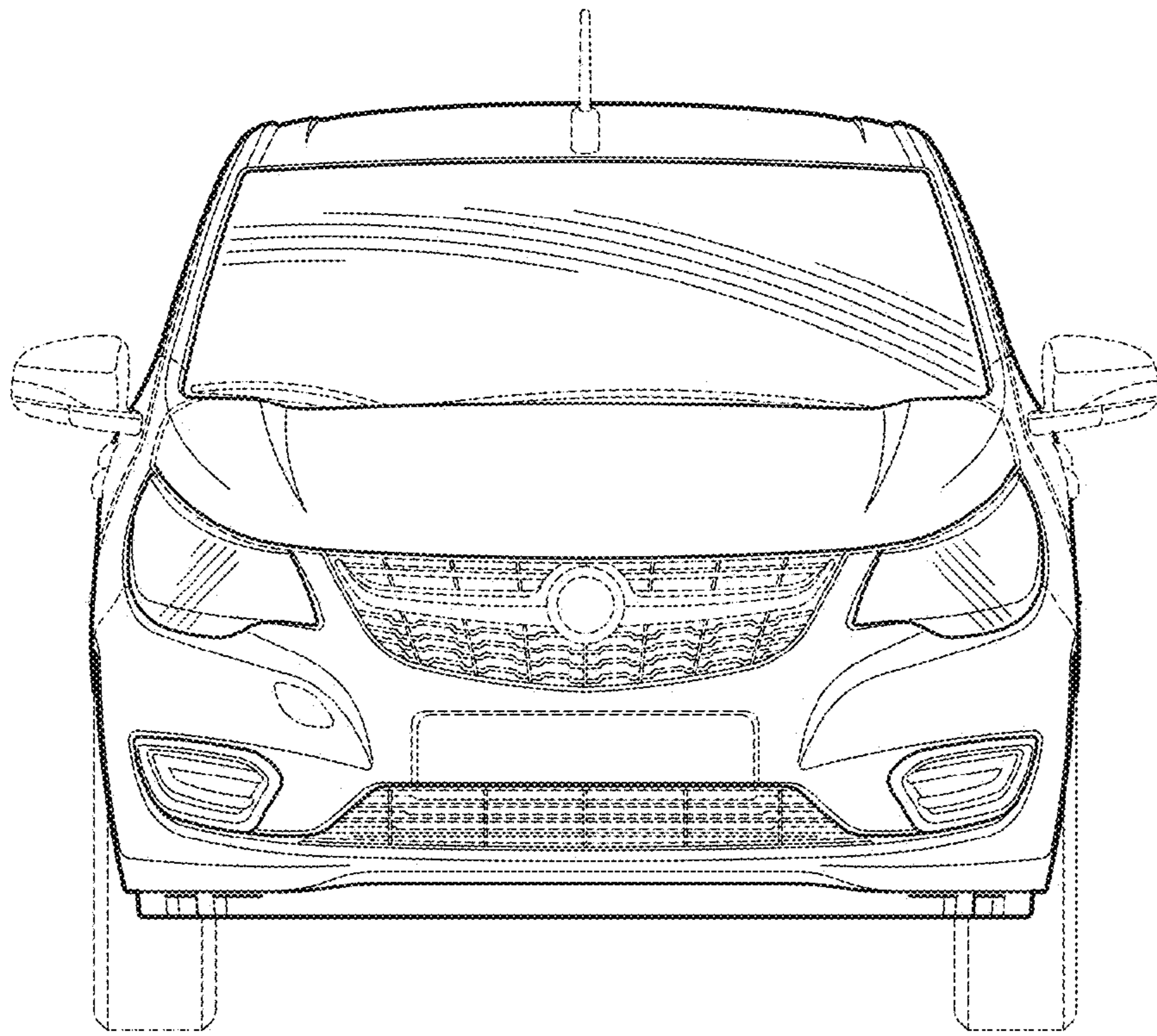


FIG. 5

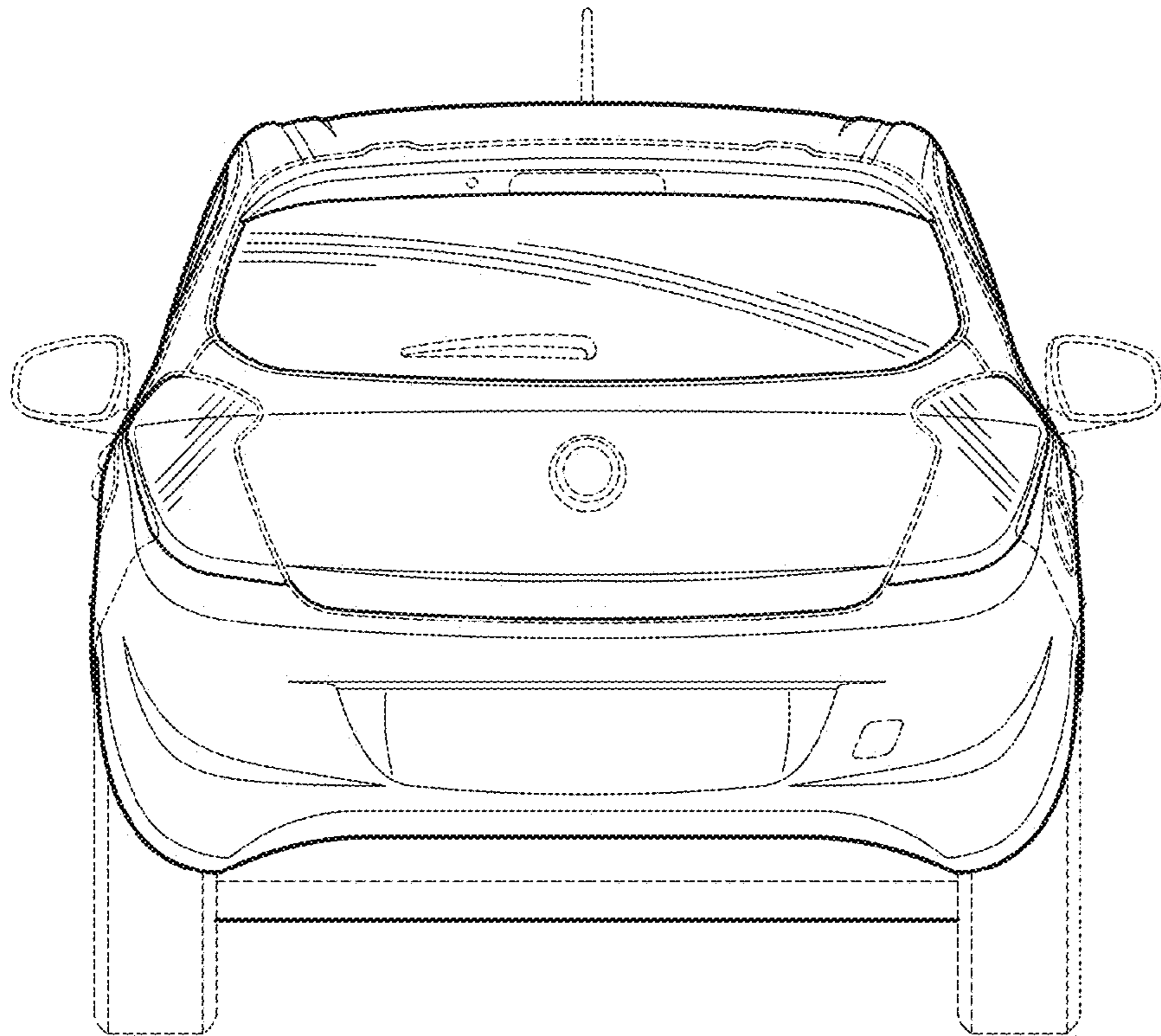


FIG. 6

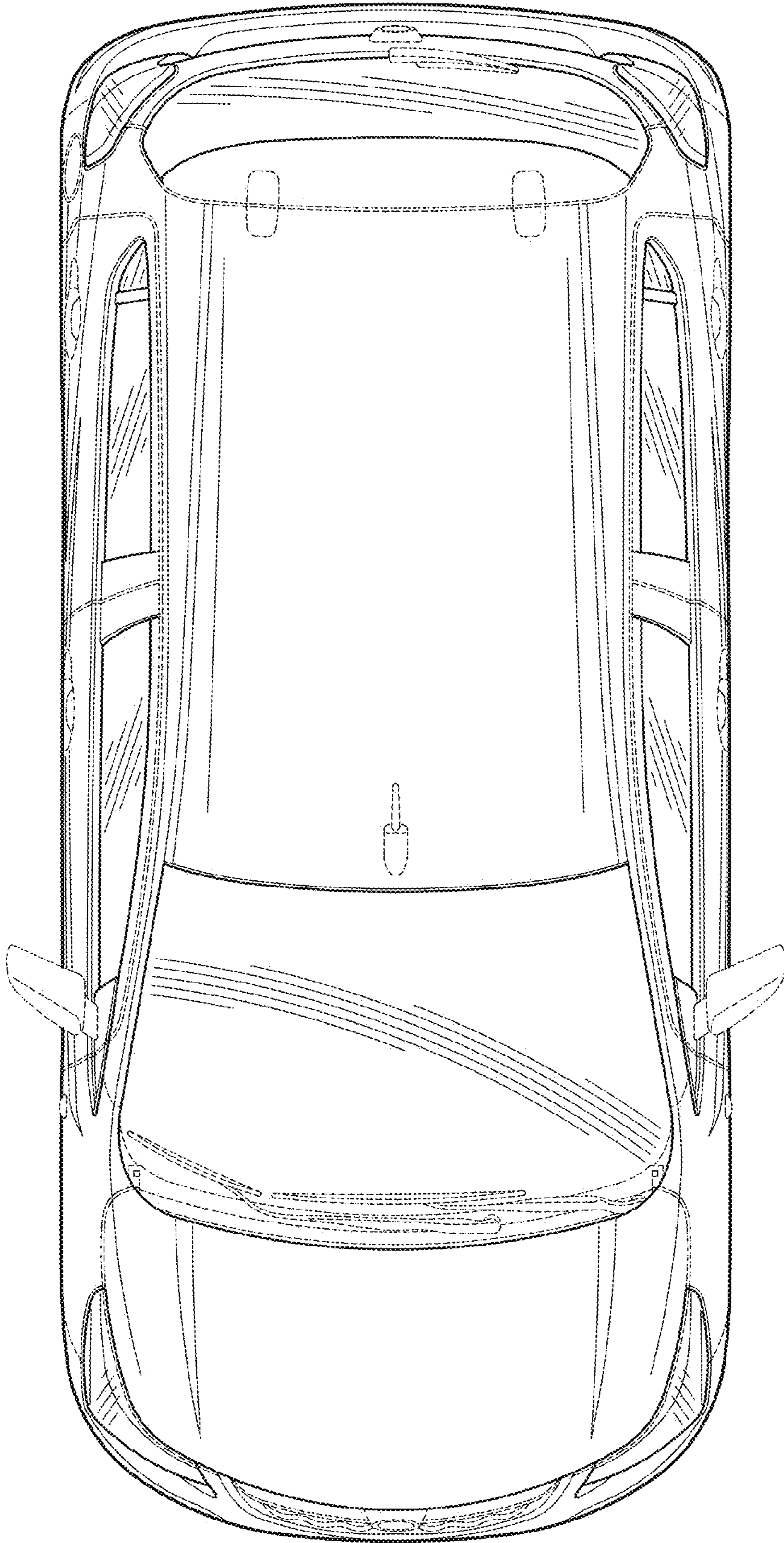


FIG. 7