

US00D764973S

(12) **United States Design Patent** (10) **Patent No.:** **US D764,973 S**  
**Mikhailov et al.** (45) **Date of Patent:** **\*\* Aug. 30, 2016**

(54) **UTILITY VEHICLE FRONT PORTION**

(71) Applicant: **BOMBARDIER RECREATIONAL PRODUCTS INC., Valcourt (CA)**

(72) Inventors: **Alexei Mikhailov, Bromont (CA); Matt Tandrup, Bromont (CA)**

(73) Assignee: **BOMBARDIER RECREATIONAL PRODUCTS INC., Valcourt (CA)**

(\*\*) Term: **15 Years**

(21) Appl. No.: **29/539,782**

(22) Filed: **Sep. 17, 2015**

(51) **LOC (10) Cl.** ..... **12-13**

(52) **U.S. Cl.**  
USPC ..... **D12/14**

(58) **Field of Classification Search**  
USPC ..... D12/1, 2, 13, 12, 15, 14, 16, 86, 87, 3, D12/4, 5, 85, 107, 110, 173; D21/14, 424, D21/433, 803; D15/30; 296/1.01, 24.33, 296/181.1, 181.2, 181.4, 187.01, 187.09, 296/187.11, 187.12, 190.08, 192, 193.05, 296/193.11, 181.5; 280/183-185, DIG. 5, 1, 280/16, 82, 88, 90, 14, 756; 180/233, 908, 180/89.1, 89.11, 6.5  
CPC ..... B62D 35/00; B62D 39/00; B62D 47/00; B62D 47/003; B62D 63/02; B62D 33/0617; B62D 33/00; A01B 59/02; B60L 2200/22; B60Y 2200/86; B60Y 2200/91; B60R 21/13  
See application file for complete search history.

(56) **References Cited**

**U.S. PATENT DOCUMENTS**

- D555,036 S \* 11/2007 Eck ..... D12/87
- D642,493 S \* 8/2011 Goebert ..... D12/87
- D665,305 S \* 8/2012 Eck ..... D12/14
- D689,396 S \* 9/2013 Wang ..... D12/14
- D714,186 S \* 9/2014 Wu ..... D12/14

- D719,061 S 12/2014 Tandrup
- D730,239 S \* 5/2015 Gonzalez ..... D12/14
- D734,689 S \* 7/2015 Hashimoto ..... D12/14
- D736,118 S \* 8/2015 Hashimoto ..... D12/14
- 2014/0144719 A1\* 5/2014 Morgan ..... B60K 1/00 180/65.31

\* cited by examiner

*Primary Examiner* — T. Chase Nelson

*Assistant Examiner* — Ania Aman

(74) *Attorney, Agent, or Firm* — BCF LLP

(57) **CLAIM**

The ornamental design for a utility vehicle front portion, as shown and described.

**DESCRIPTION**

FIG. 1 is a perspective view taken from a front, left side of a utility vehicle front portion according to our design shown on a utility vehicle;

FIG. 2 is a perspective view taken from a front, right side thereof shown on the utility vehicle;

FIG. 3 is a left side elevation view of the utility vehicle front portion;

FIG. 4 is a front elevation view thereof;

FIG. 5 is a right side elevation view thereof;

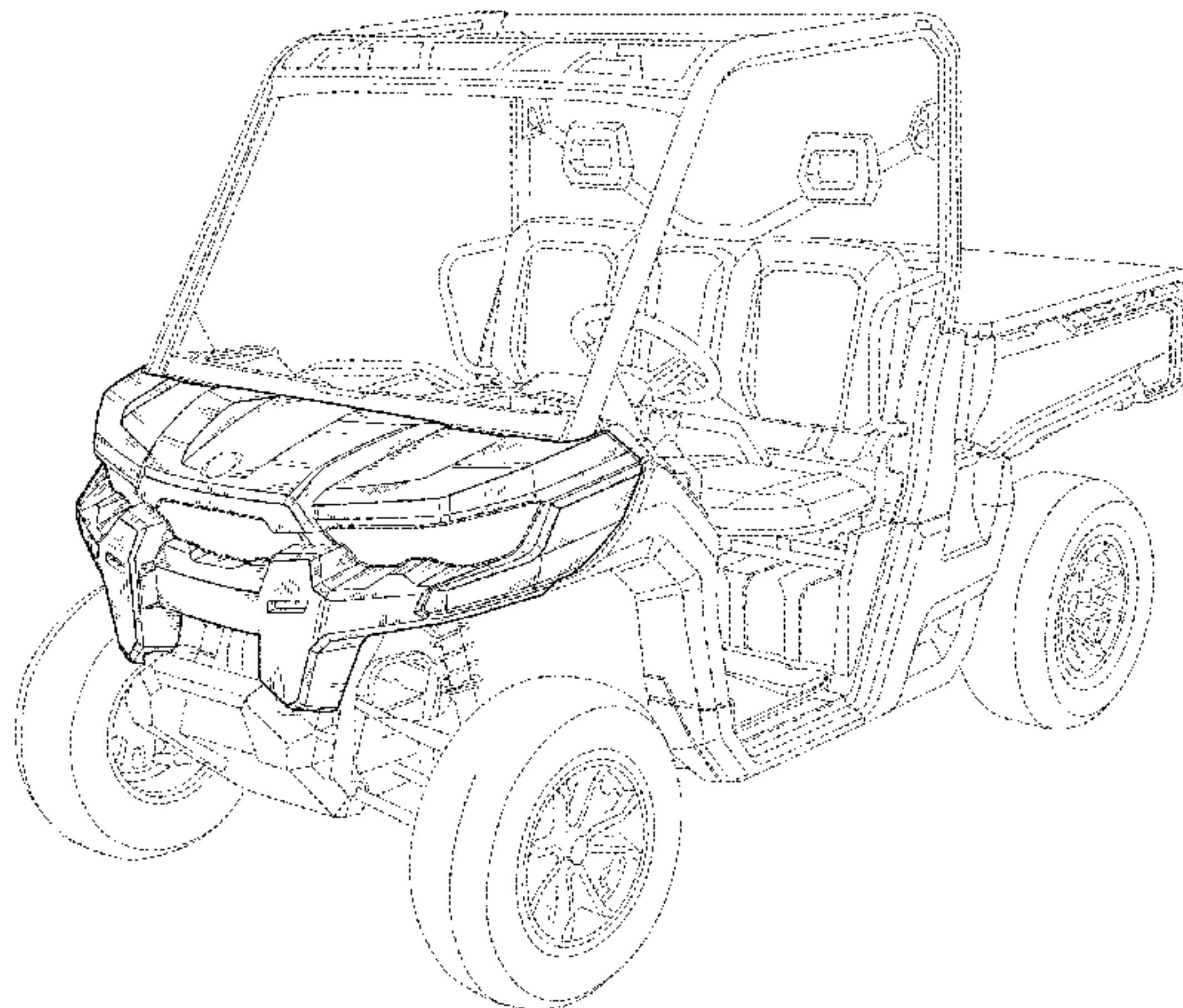
FIG. 6 is a rear elevation view thereof;

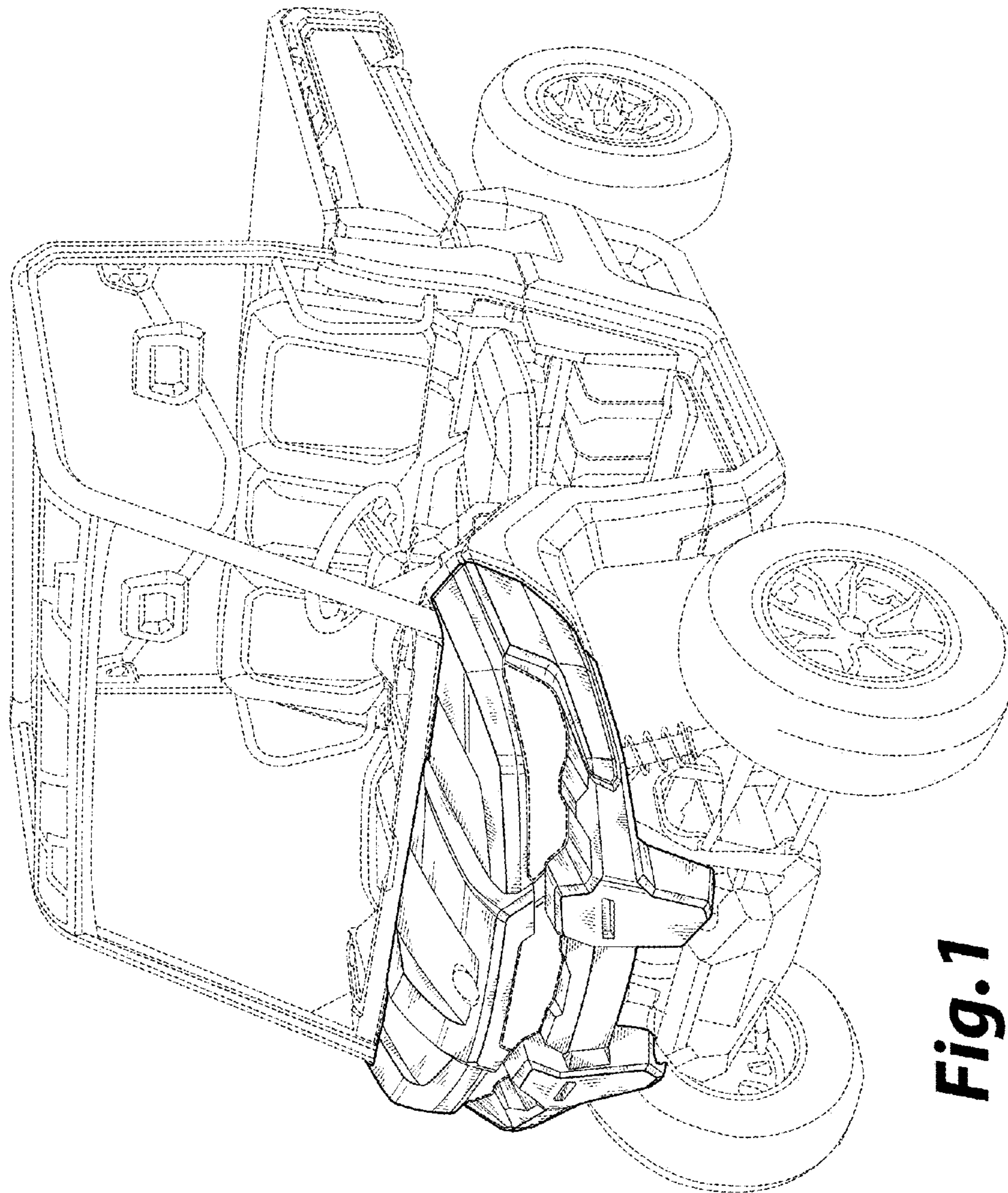
FIG. 7 is a top plan view thereof; and,

FIG. 8 is a bottom plan view thereof.

Throughout the Figures, if and where shown: (i) the broken lines showing additional structure of the utility vehicle front portion and/or its environment are for illustrative purposes only and form no part of the claimed design; (ii) the dotted/dashed lines adjacent shaded surfaces represent unclaimed boundaries of the claimed design; and (iii) the unshaded surfaces do not form part of the claimed design. Portions of the utility vehicle front portion not shown in the figures and not otherwise described in this specification do not form part of the claimed design.

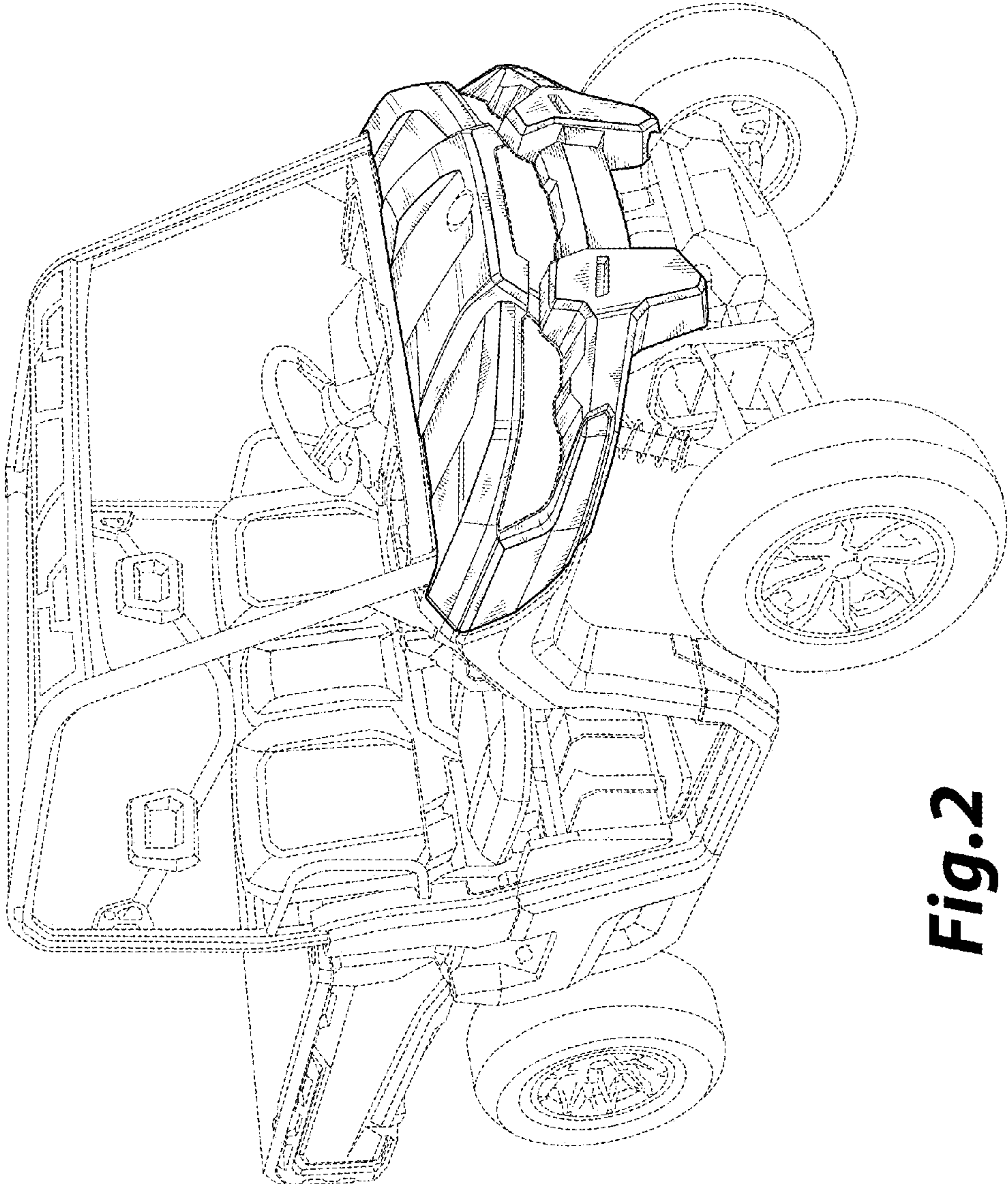
**1 Claim, 8 Drawing Sheets**



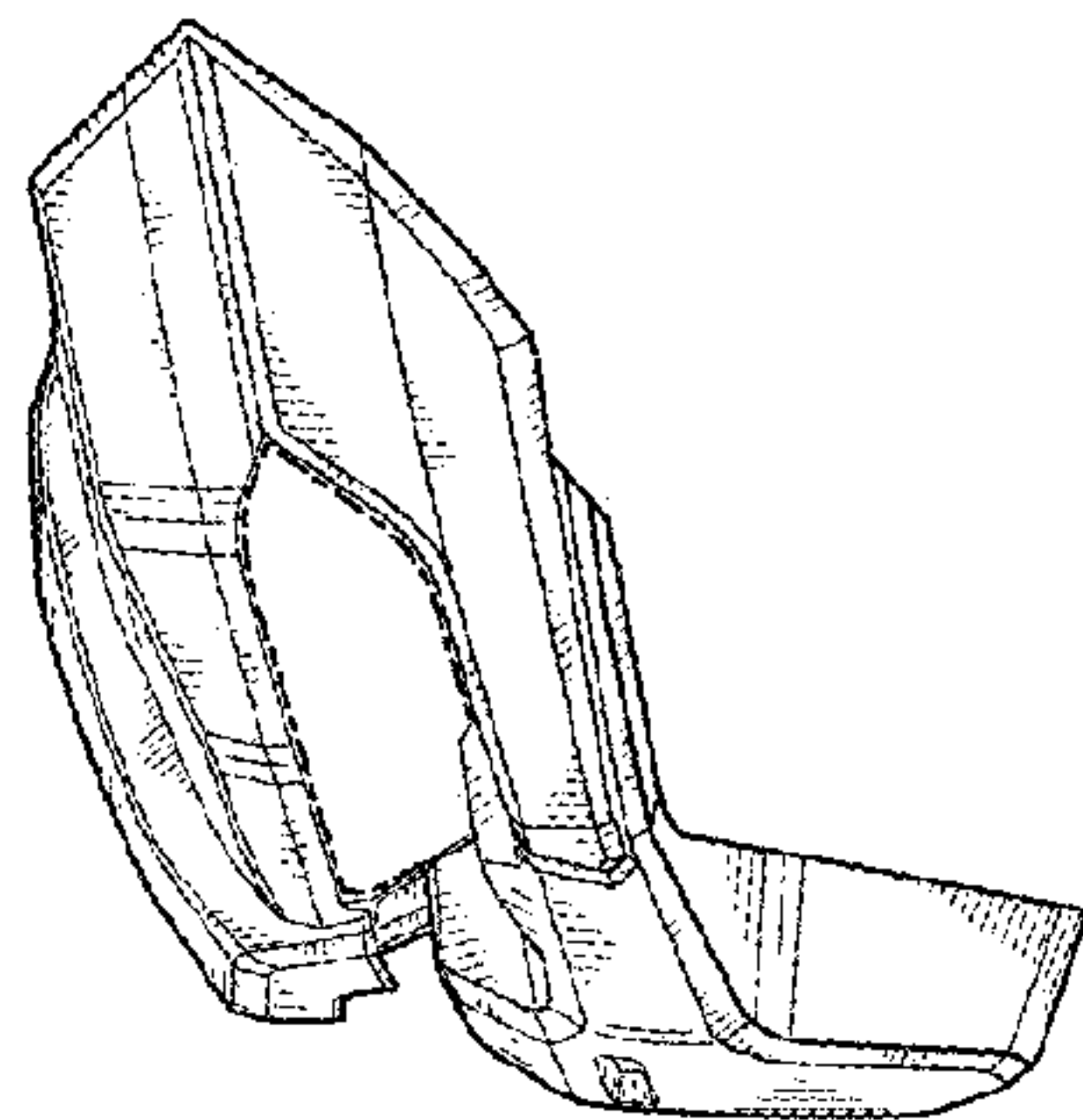


**Fig. 1**

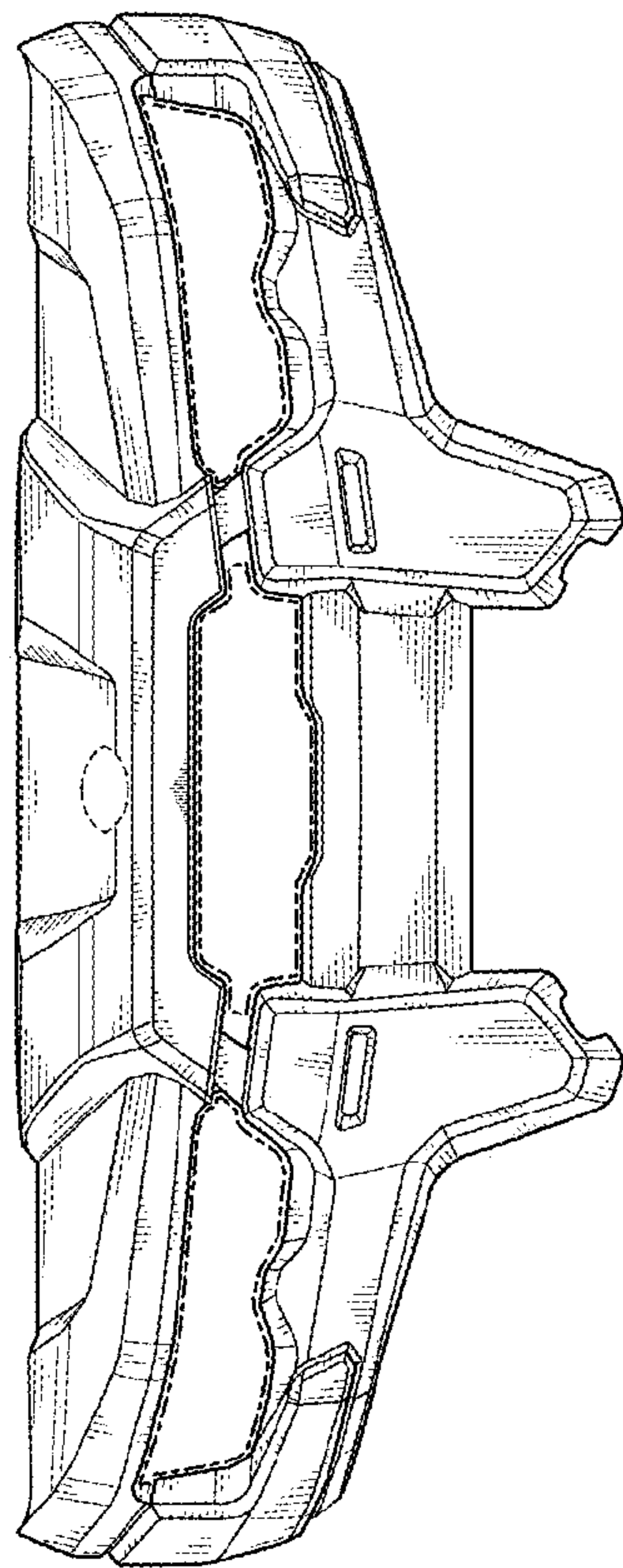




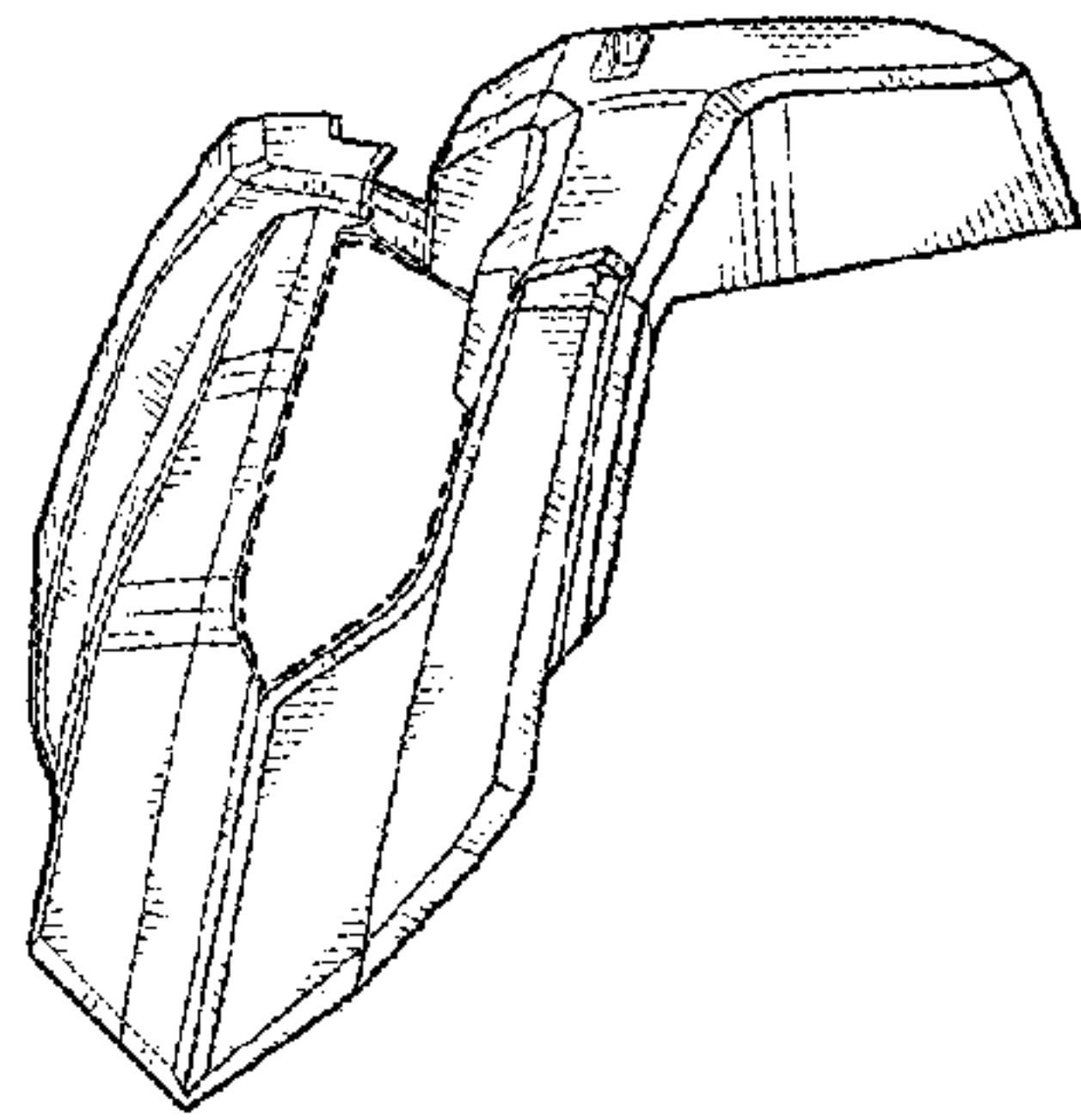
**Fig.2**



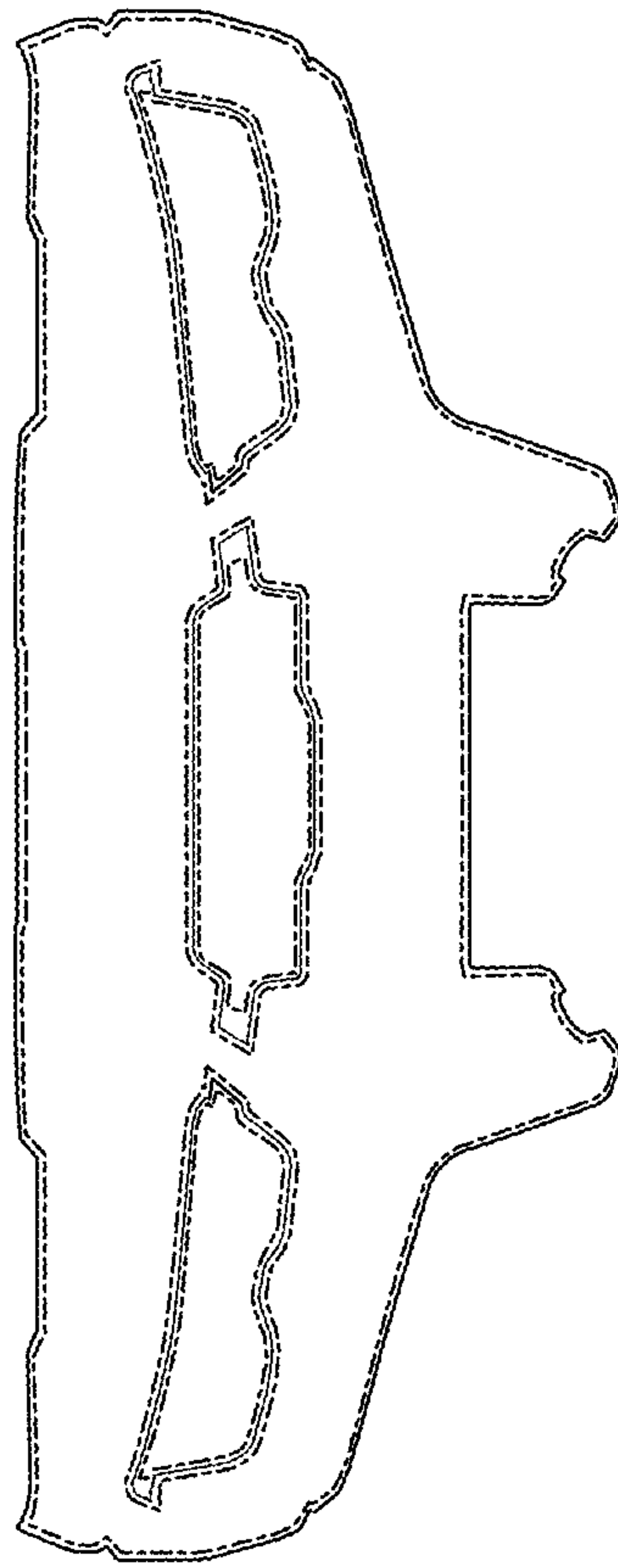
**Fig. 3**



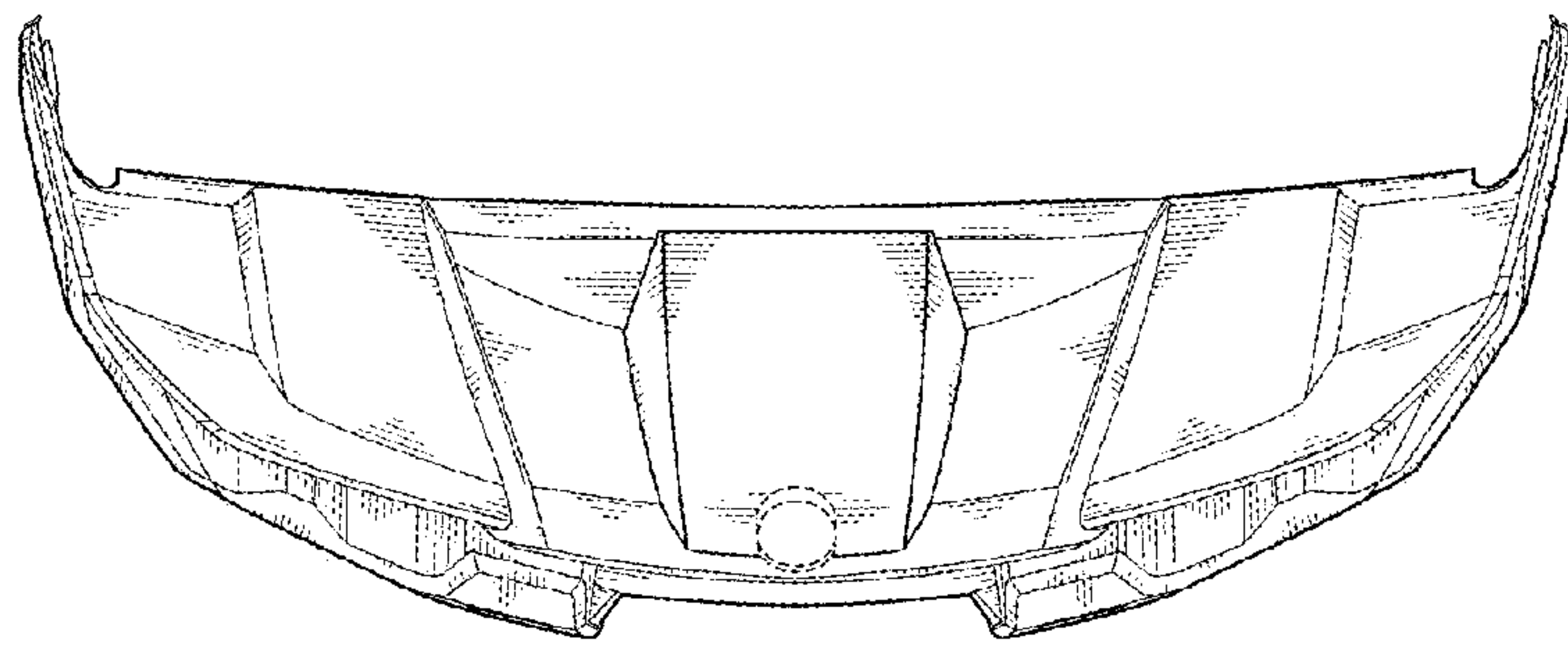
**Fig.4**



**Fig. 5**

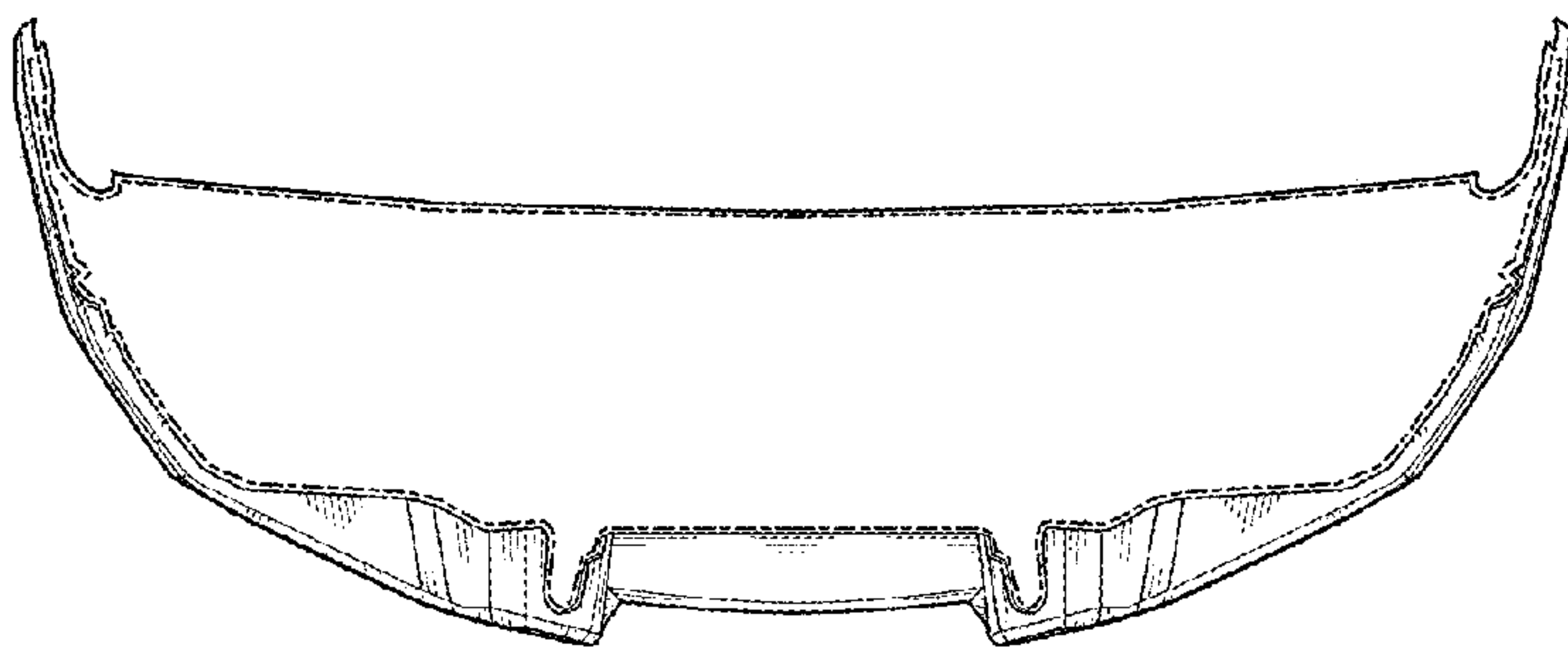


**Fig. 6**



**Fig. 7**





**Fig. 8**