



US00D764972S

(12) **United States Design Patent** (10) **Patent No.:** **US D764,972 S**
Gonzalez (45) **Date of Patent:** **** Aug. 30, 2016**

(54) **UTILITY VEHICLE**

(71) Applicant: **Polaris Industries Inc.**, Medina, MN (US)

(72) Inventor: **Salvador Gonzalez**, Fontana, CA (US)

(73) Assignee: **Polaris Industries Inc.**, Medina, MN (US)

(**) Term: **14 Years**

(21) Appl. No.: **29/524,274**

(22) Filed: **Apr. 18, 2015**

Related U.S. Application Data

(62) Division of application No. 29/449,479, filed on Mar. 15, 2013, now Pat. No. Des. 730,239.

(51) **LOC (10) Cl.** **12-13**

(52) **U.S. Cl.**
USPC **D12/14**

(58) **Field of Classification Search**

USPC D12/1, 2, 13, 12, 15, 14, 16, 86, 87, 3, D12/4, 5, 85, 107, 110, 173; D21/14, 424, D21/433, 803; D15/30; 296/1.01, 24.33, 296/181.1, 181.2, 181.4, 187.01, 187.09, 296/187.11, 187.12, 190.08, 192, 193.05, 296/193.11, 181.5, 202; 280/183-185, 280/DIG. 5, 1, 16, 82, 88, 90, 14, 756; 180/233, 908, 89.1, 89.11, 6.5
CPC B62D 35/00; B62D 39/00; B62D 47/00; B62D 47/003; B62D 63/02; B62D 33/0617; B62D 33/00; A01B 59/02; B60L 2200/22; B60Y 2200/86; B60Y 2200/91; B60R 21/13; B60N 2/60

See application file for complete search history.

(56) **References Cited**

U.S. PATENT DOCUMENTS

D621,423 S * 8/2010 Nakanishi D12/14
D631,395 S 1/2011 Tandrup et al.

7,874,606 B2 1/2011 Yamamura et al.
D689,396 S 9/2013 Wang
8,585,088 B1 11/2013 Kaku et al.
8,613,337 B2 12/2013 Kinsman et al.
D716,693 S * 11/2014 Higashikawa D12/14
D717,695 S * 11/2014 Matsumura D12/14
D724,997 S * 3/2015 Brew D12/14
D736,118 S * 8/2015 Hashimoto D12/14
2009/0183938 A1 7/2009 Cover et al.
2012/0160589 A1 6/2012 Tsumiyama et al.
2012/0217078 A1 * 8/2012 Kinsman B60R 21/13
180/69.4
2013/0033070 A1 * 2/2013 Kinsman B62D 21/183
296/190.03
2014/0067215 A1 * 3/2014 Wetterlund B60H 1/00407
701/69
2014/0265285 A1 * 9/2014 Erspamer B60N 2/6009
280/783

* cited by examiner

Primary Examiner — T. Chase Nelson

Assistant Examiner — Ania Aman

(74) *Attorney, Agent, or Firm* — Faegre Baker Daniels LLP

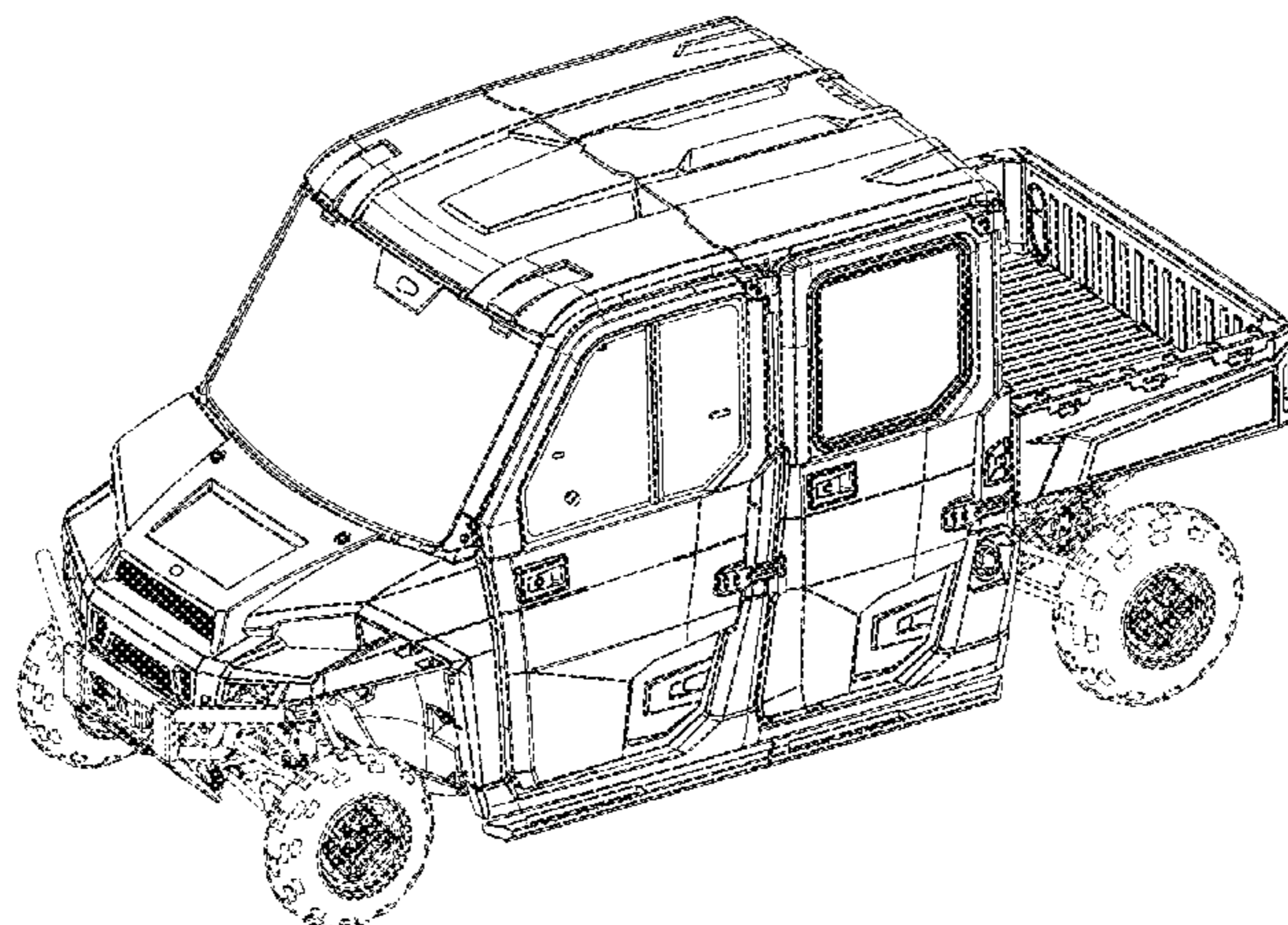
(57) **CLAIM**

I claim the ornamental design for the utility vehicle, as shown and described.

DESCRIPTION

FIG. 1 is a left front perspective view of a utility vehicle of the present invention;
FIG. 2 is a right rear perspective view of the utility vehicle of FIG. 1;
FIG. 3 is a left side view of the utility vehicle of FIG. 1;
FIG. 4 is a right side view of the utility vehicle of FIG. 1;
FIG. 5 is a top view of the utility vehicle of FIG. 1;
FIG. 6 is a front view of the utility vehicle of FIG. 1; and,
FIG. 7 is a rear view of the utility vehicle of FIG. 1.
The portions of the utility vehicle shown in broken lines form no part of the claimed design.

1 Claim, 6 Drawing Sheets



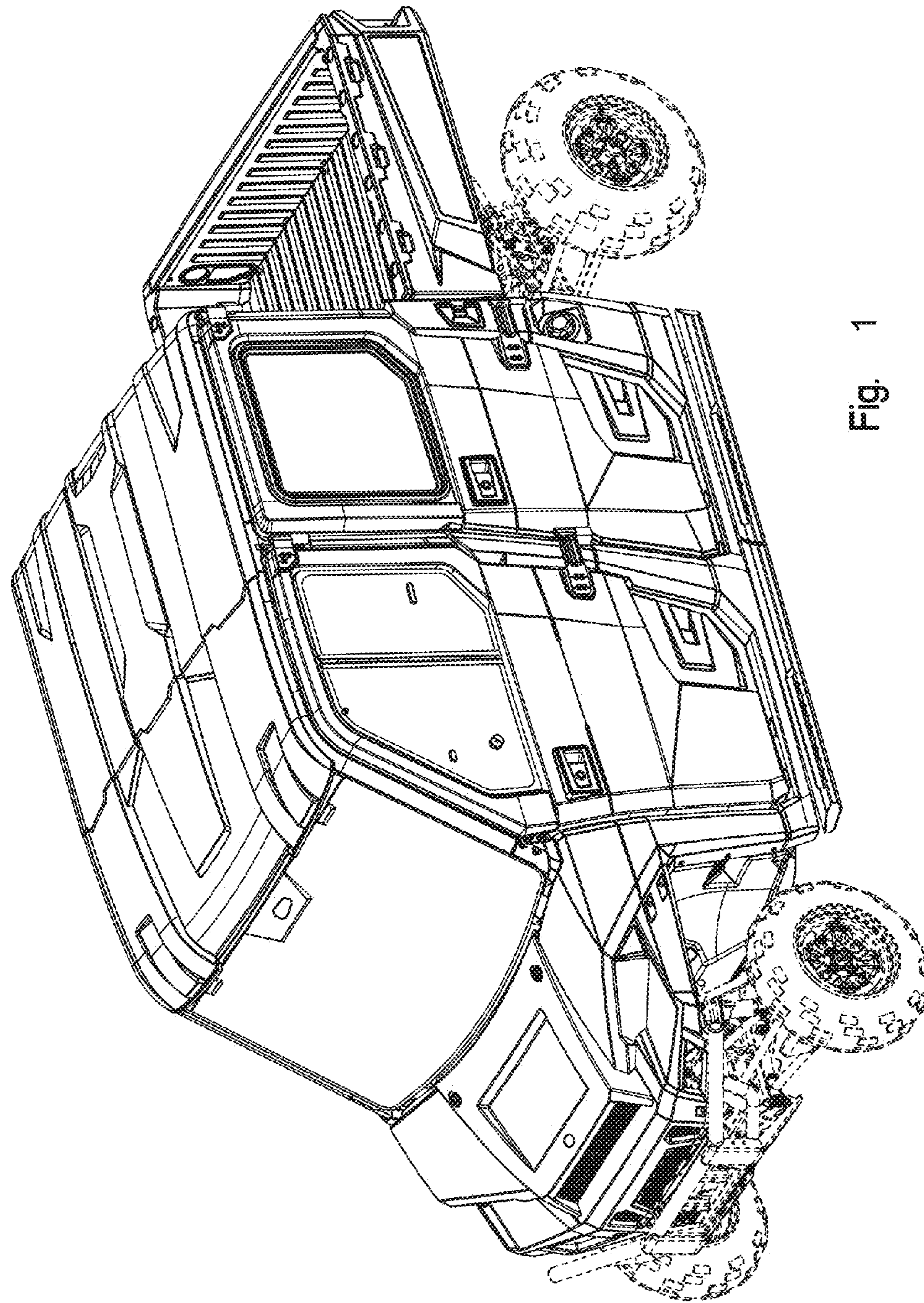


Fig. 1

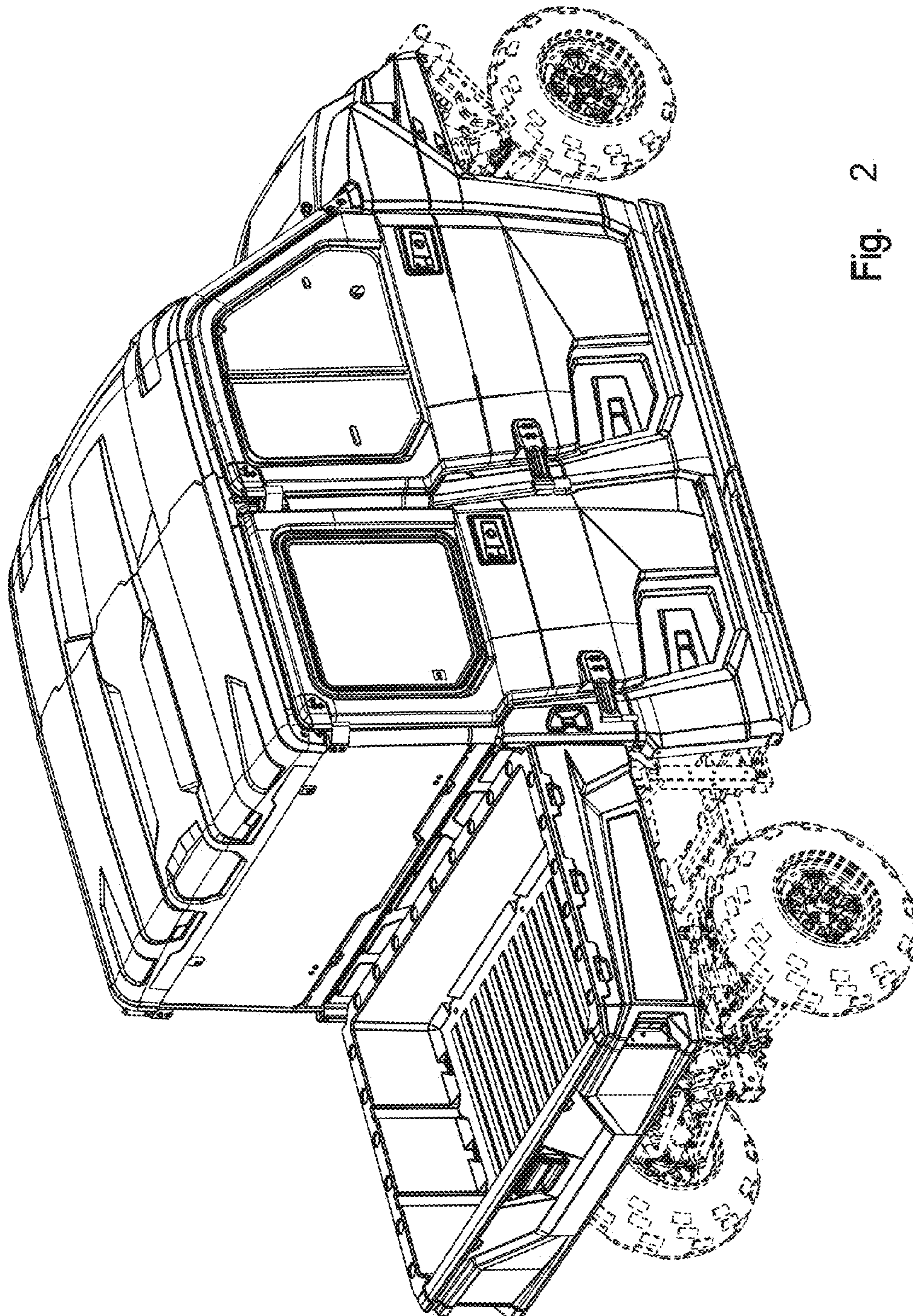


Fig. 2

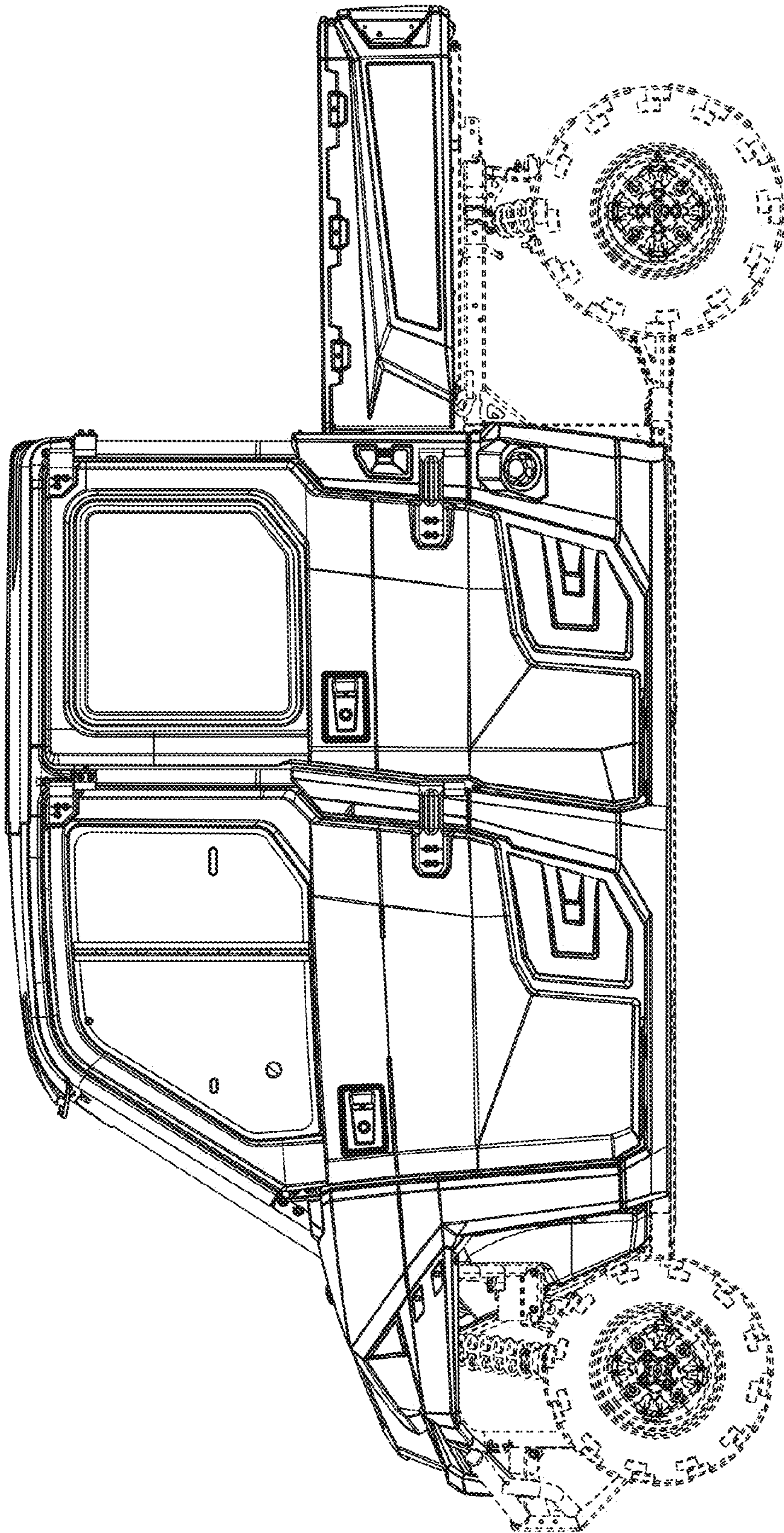


Fig. 3

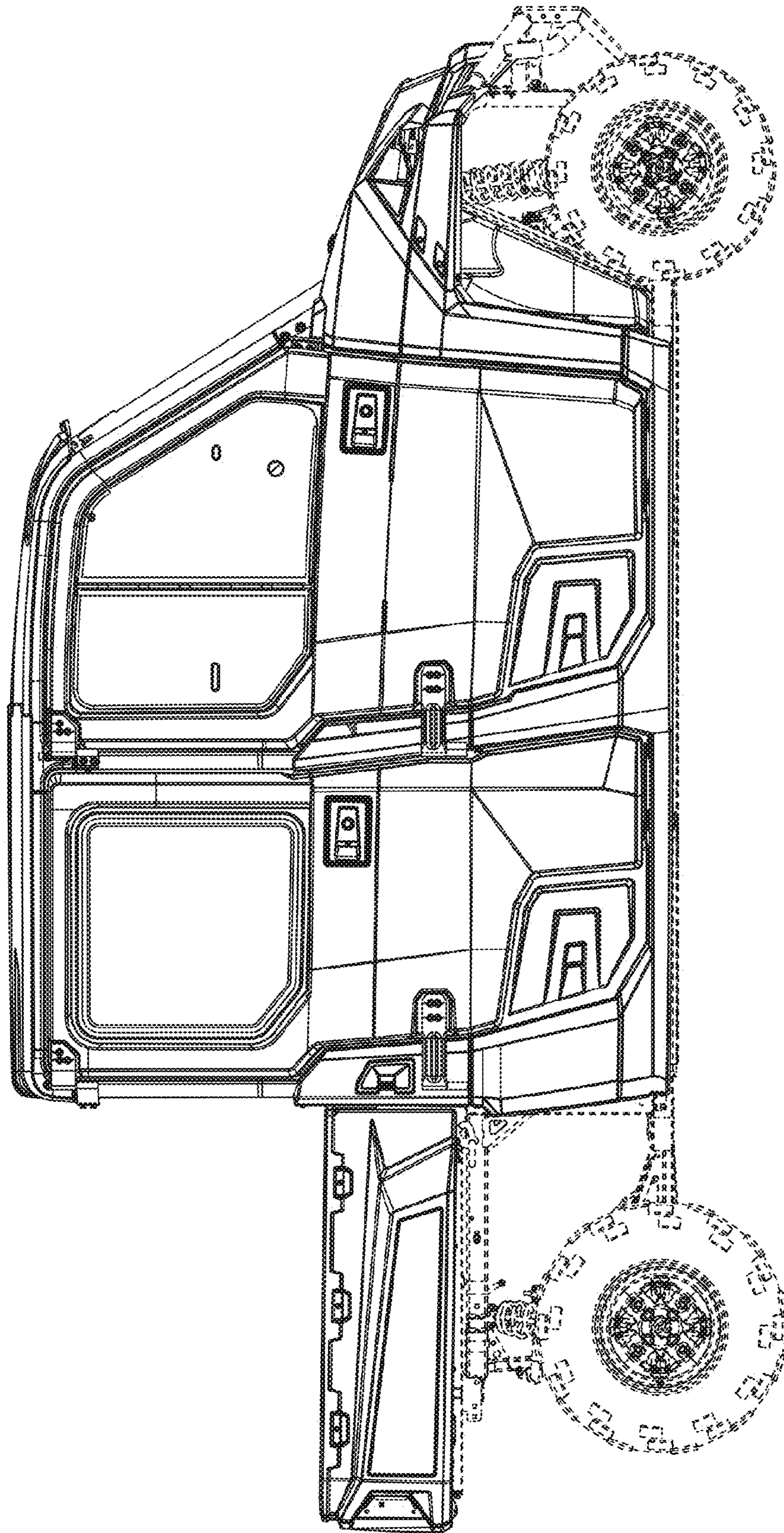


Fig. 4

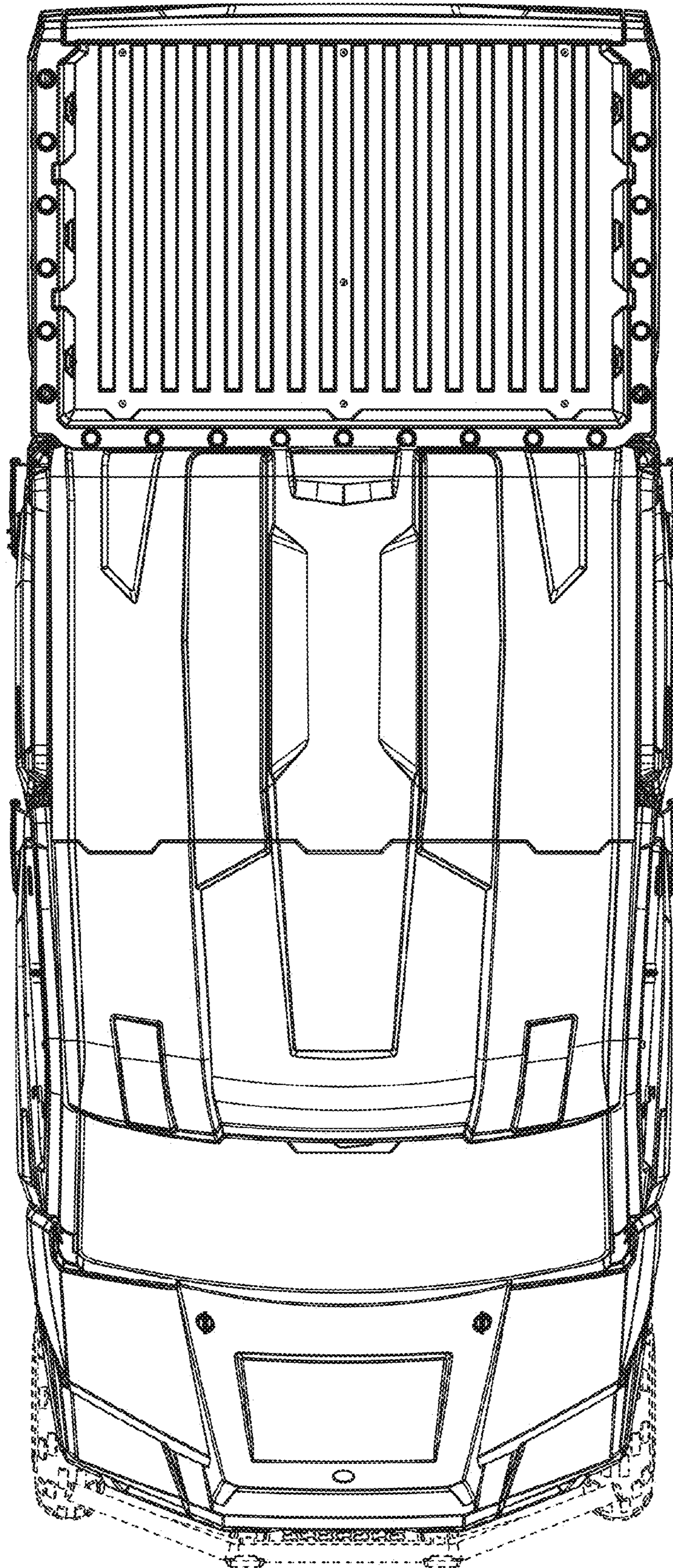


Fig. 5

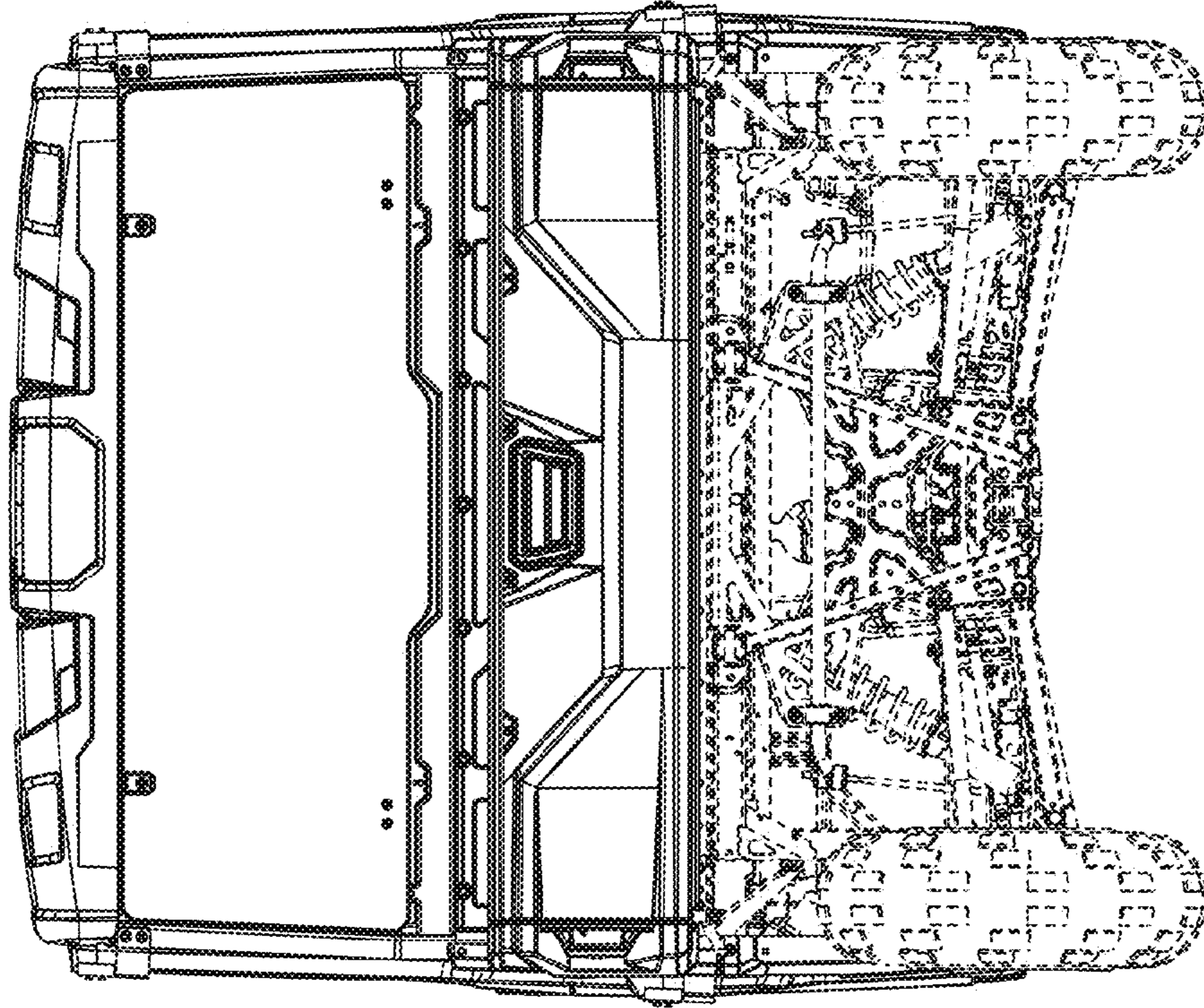


Fig. 6

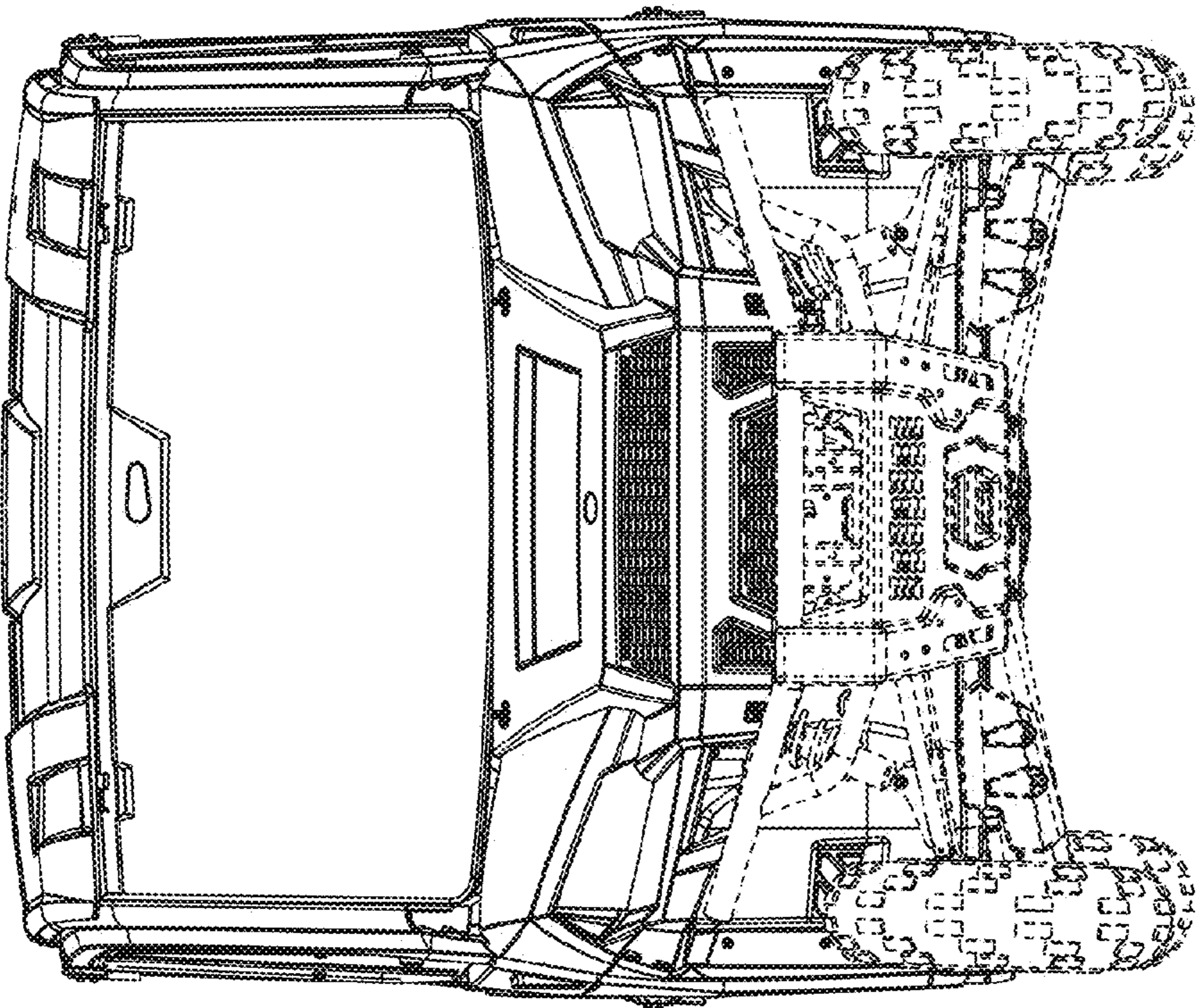


Fig. 7