

US00D764961S

(12) **United States Design Patent**
Schweiger

(10) **Patent No.:** **US D764,961 S**

(45) **Date of Patent:** **** Aug. 30, 2016**

(54) **GEMSTONE**

(71) Applicant: **Swarovski Aktiengesellschaft**, Triesen
(LI)

(72) Inventor: **Christoph Schweiger**, Vomp (AT)

(73) Assignee: **Swarovski Aktiengesellschaft** (LI)

(**) Term: **14 Years**

(21) Appl. No.: **29/523,185**

(22) Filed: **Apr. 7, 2015**

(30) **Foreign Application Priority Data**

Jan. 19, 2015 (EM) 002616425-0005

(51) **LOC (10) Cl.** **11-01**

(52) **U.S. Cl.**
USPC **D11/89**

(58) **Field of Classification Search**
USPC D11/1-2, 26-29, 89-92; 63/26-28, 32
CPC A44C 17/00
See application file for complete search history.

(56) **References Cited**

U.S. PATENT DOCUMENTS

D560,544 S * 1/2008 Mosmann D11/90

D587,618 S * 3/2009 Bartl D11/89
D656,059 S * 3/2012 Froehlich D11/89
D656,863 S * 4/2012 Ehrenstrasser D11/89
D662,439 S * 6/2012 Kejejian D11/90
D683,652 S * 6/2013 Sans D11/89
D691,915 S * 10/2013 Hodzic D11/89
D753,537 S * 4/2016 Modi D11/90

* cited by examiner

Primary Examiner — Ralf Seifert

(74) *Attorney, Agent, or Firm* — Baker & McKenzie LLP

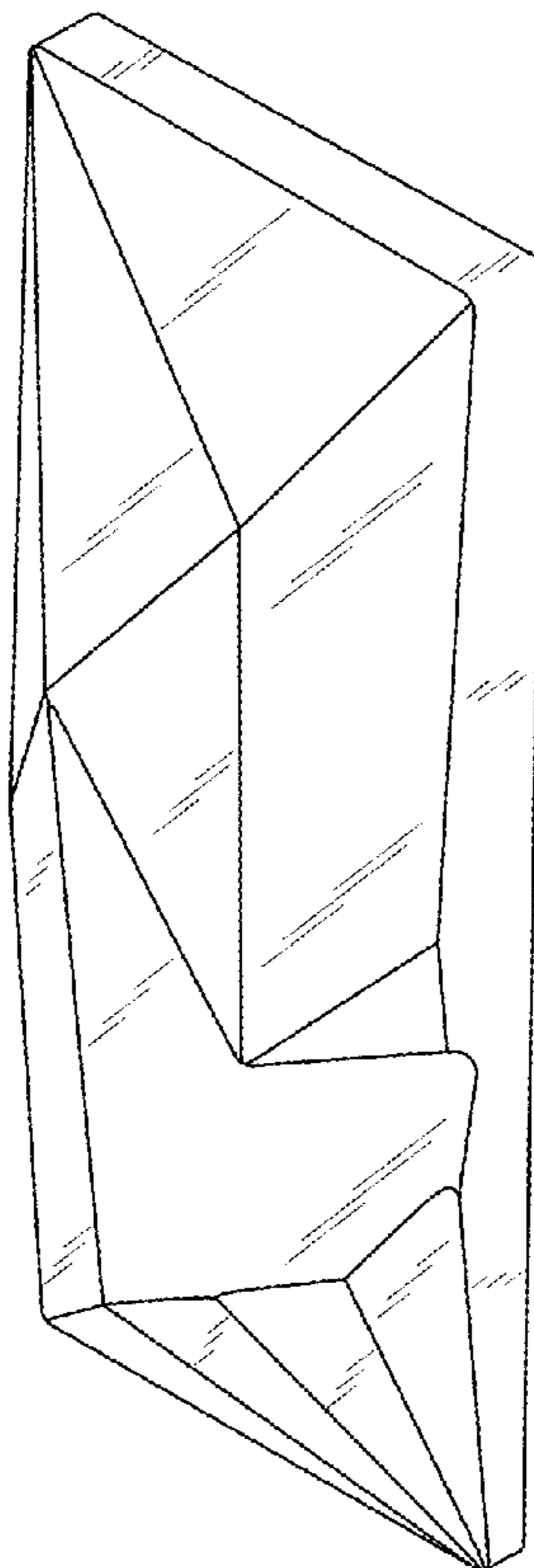
(57) **CLAIM**

The ornamental design for an ornamental gemstone, as shown and described.

DESCRIPTION

FIG. 1 is a front perspective view showing my new design;
FIG. 2 is a front thereof;
FIG. 3 is a rear view thereof;
FIG. 4 is a right side view thereof;
FIG. 5 is a left side view thereof;
FIG. 6 is a top view thereof; and,
FIG. 7 is a bottom view thereof.

1 Claim, 7 Drawing Sheets



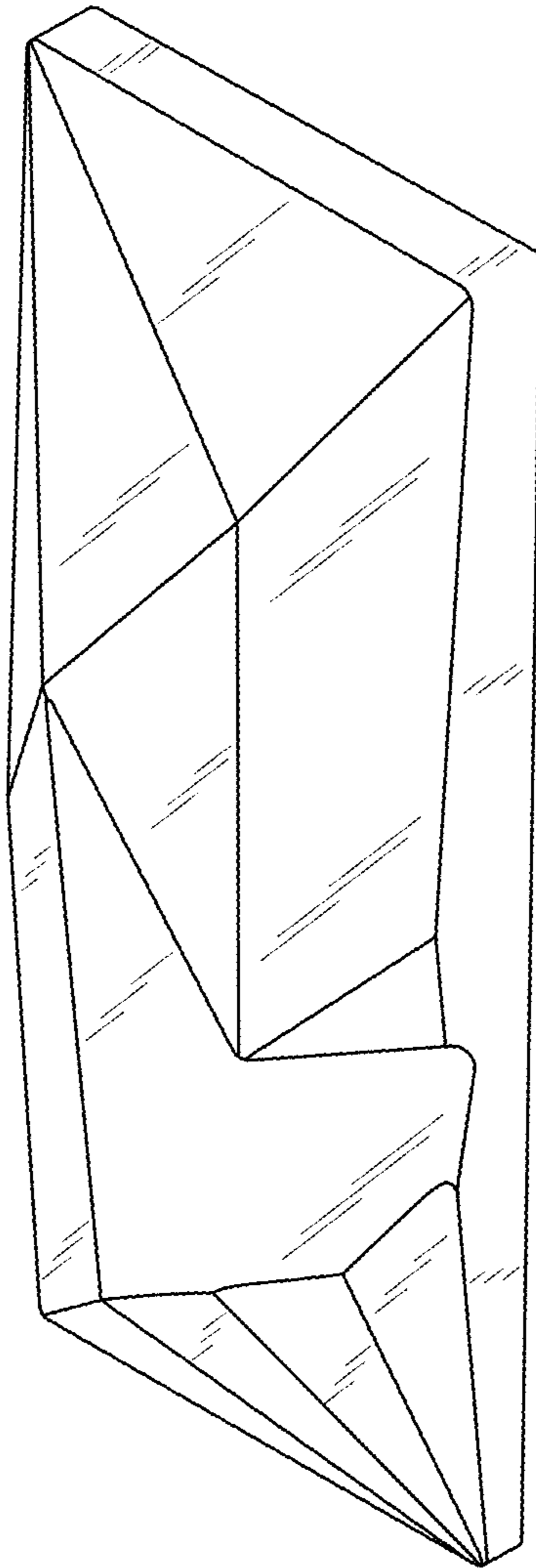


FIG. 1

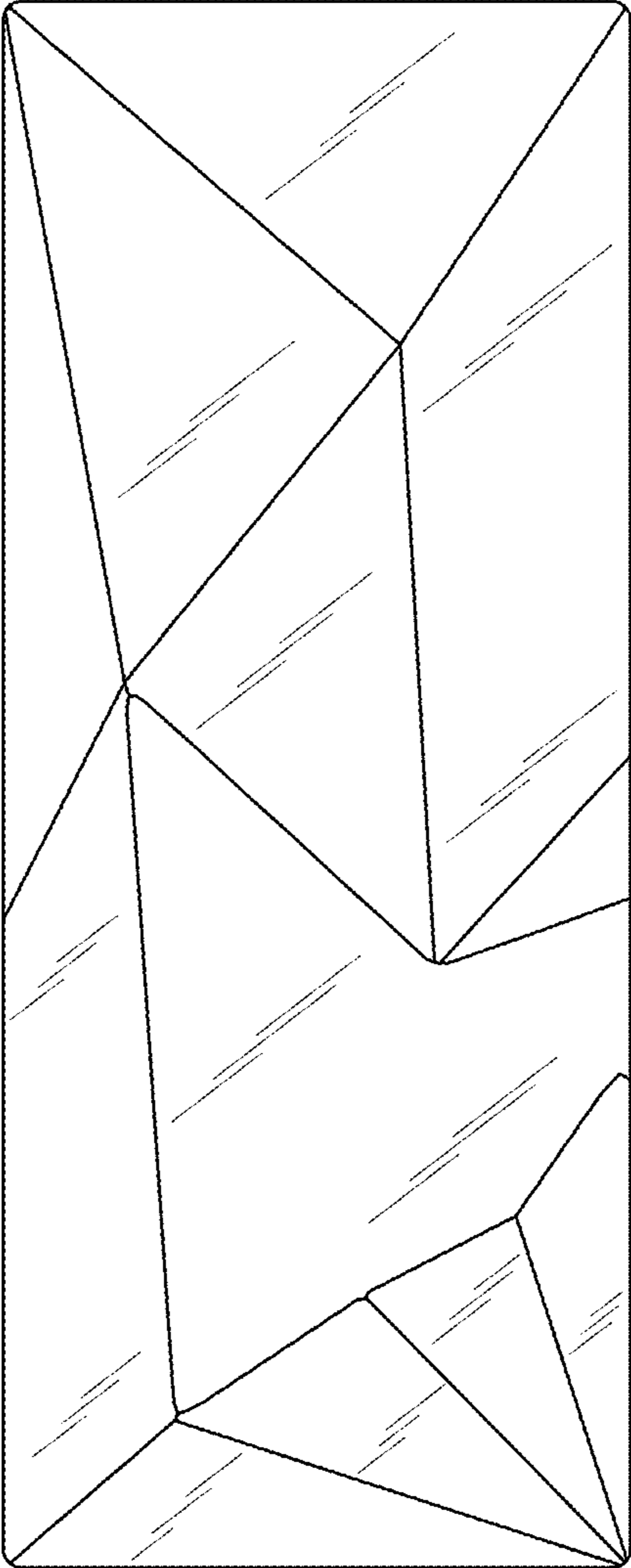


FIG.2

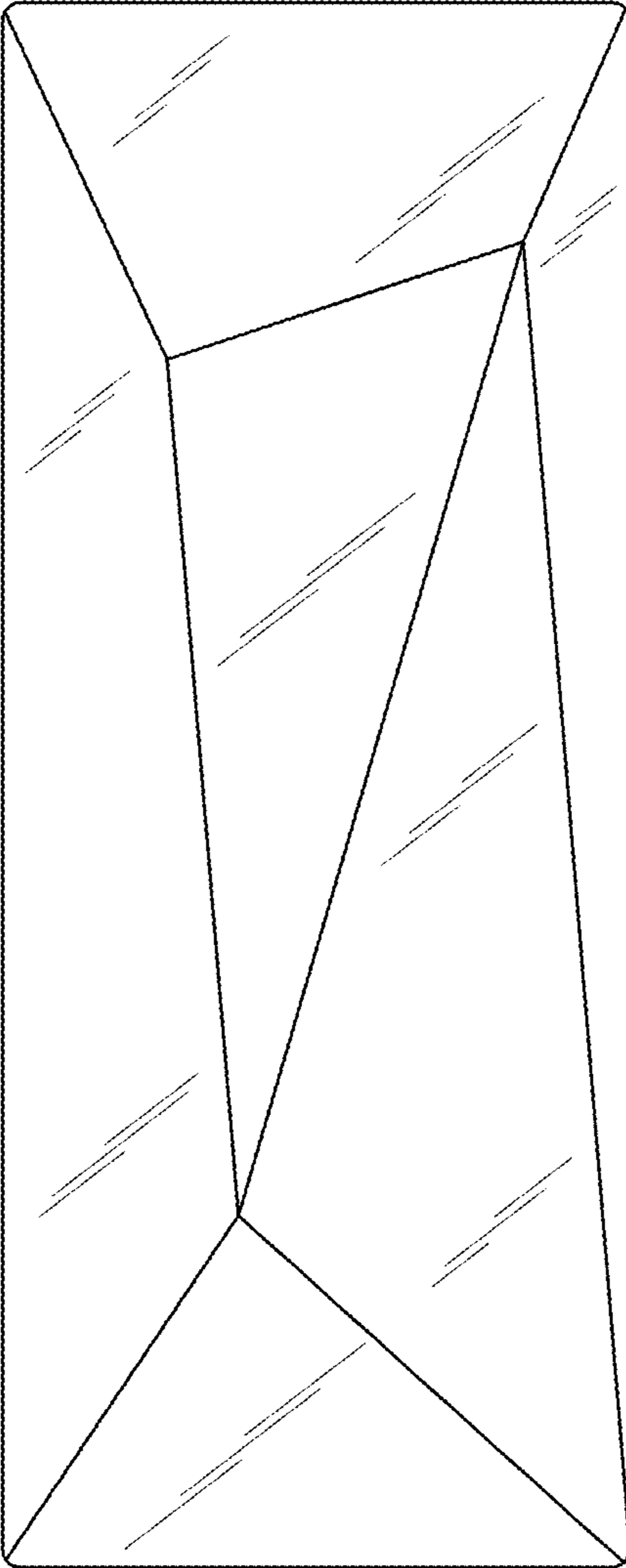


FIG. 3



FIG.4

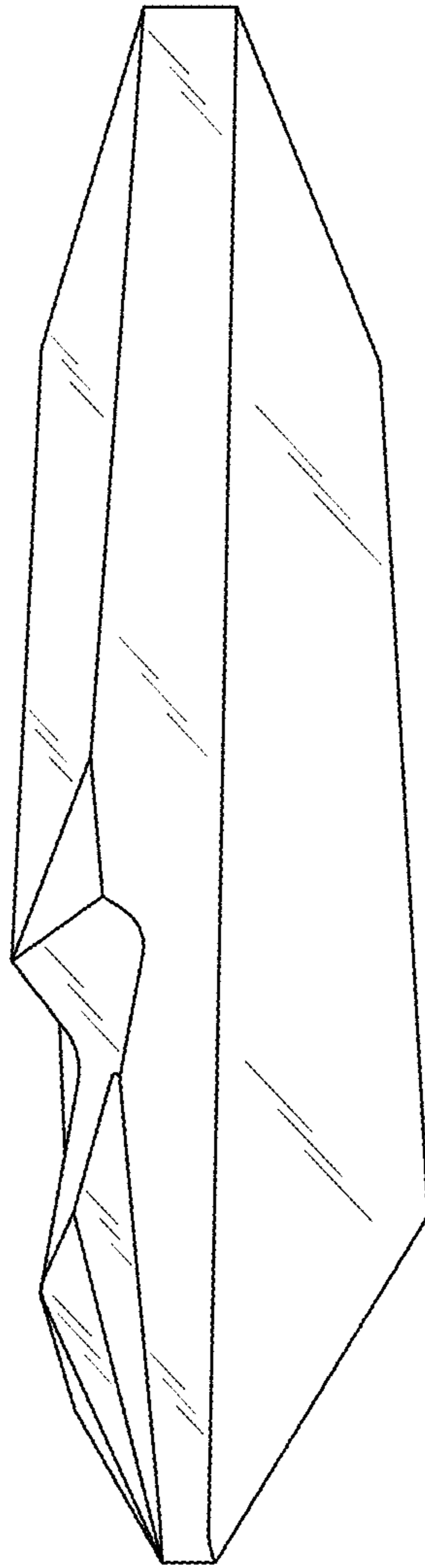


FIG. 5

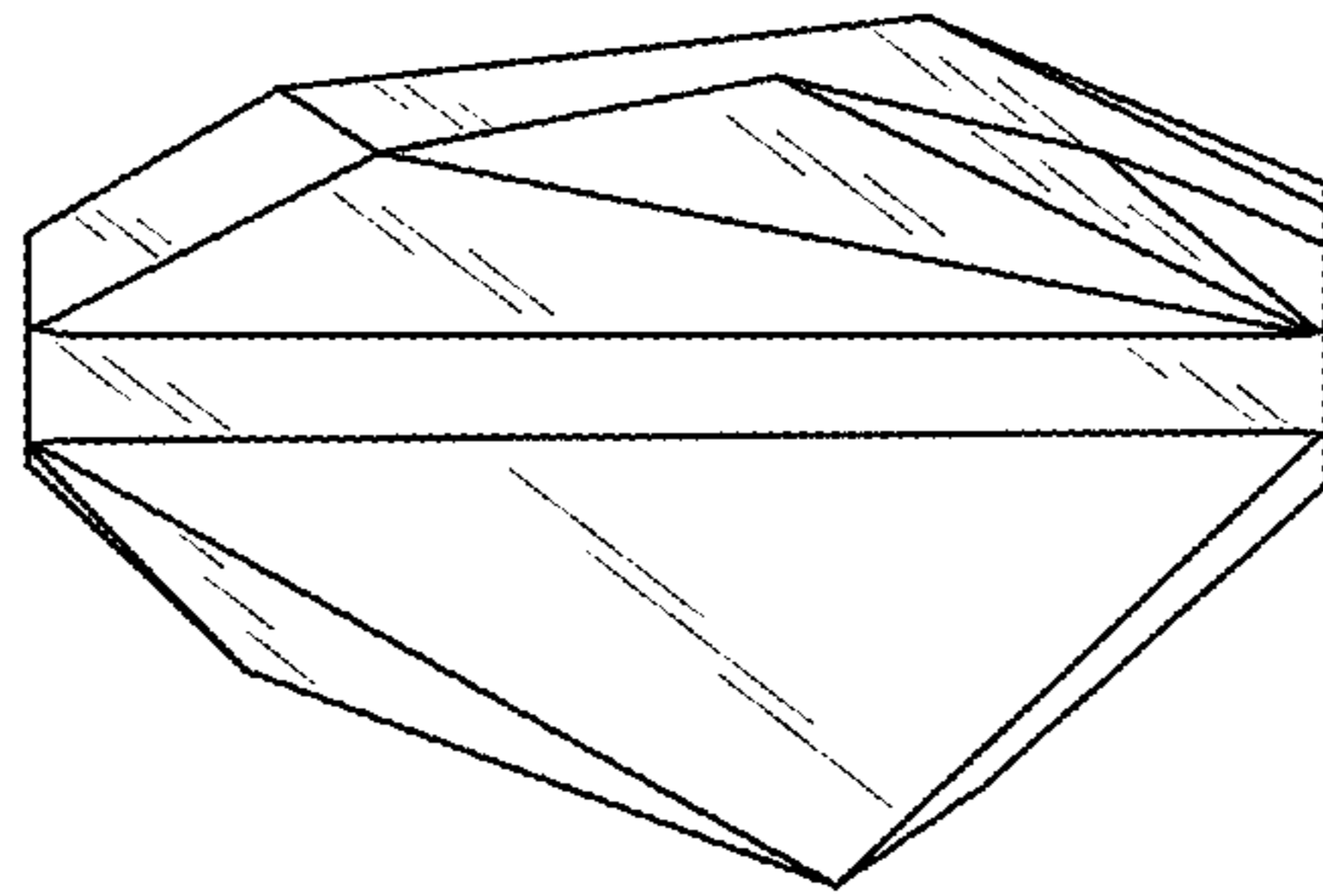


FIG. 6

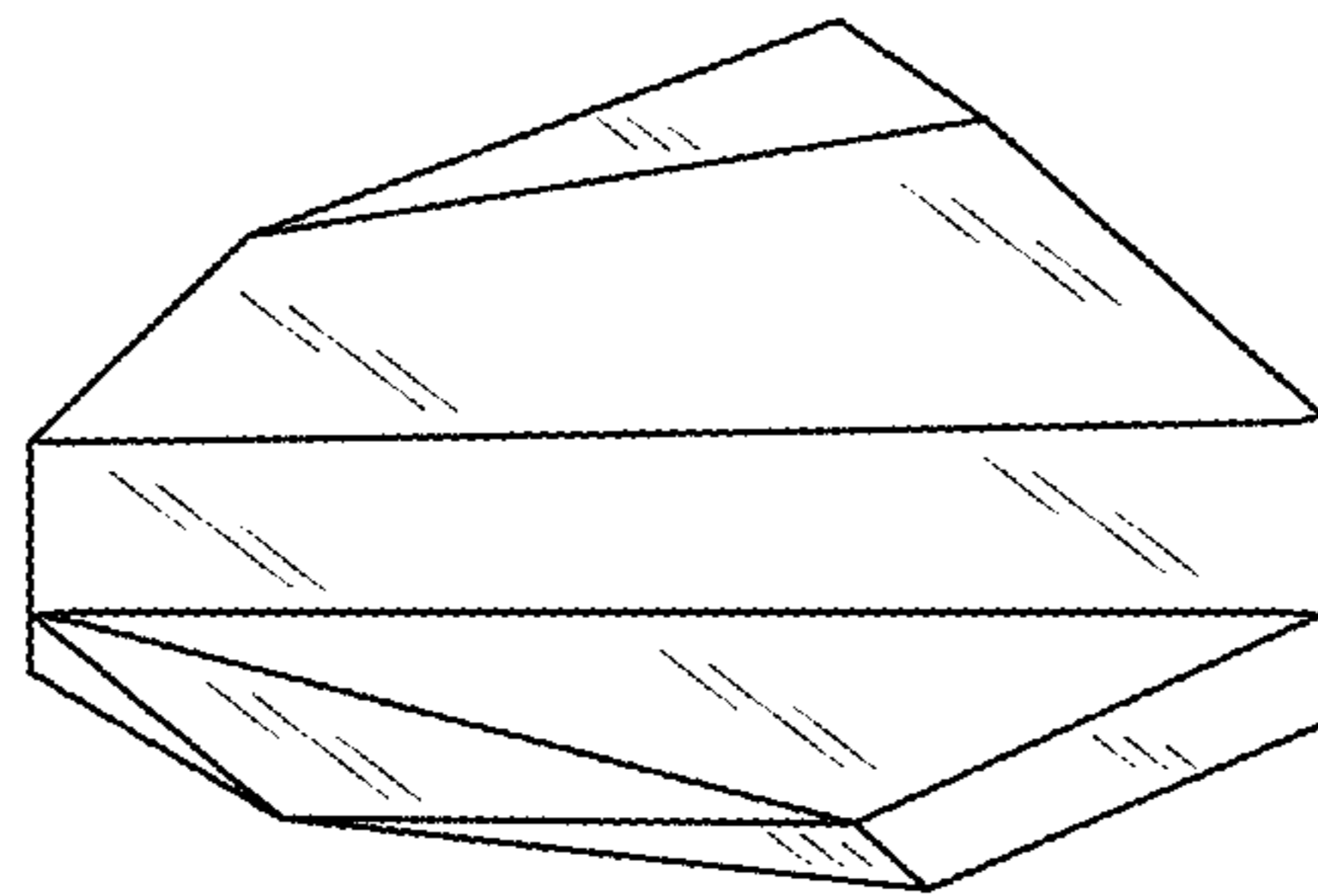


FIG. 7