



US00D764955S

(12) **United States Design Patent**
Ranwell

(10) **Patent No.:** **US D764,955 S**

(45) **Date of Patent:** **** Aug. 30, 2016**

(54) **HANDHELD METER**

GE Measurement & Control, Aquant Protimeter Non-Invasive Moisture Meter, www.ge-mcs.com, 2 pages.

(71) Applicant: **Amphenol Thermometrics, Inc.**, Saint Marys, PA (US)

* cited by examiner

(72) Inventor: **Christopher Ranwell**, Andover, MA (US)

Primary Examiner — Antonie D Davis

(74) *Attorney, Agent, or Firm* — Blank Rome LLP

(73) Assignee: **AMPHENOL THERMOMETRICS, INC.**, Saint Marys, PA (US)

(57) **CLAIM**

The ornamental design for a handheld meter, as shown and described.

(**) Term: **14 Years**

DESCRIPTION

(21) Appl. No.: **29/476,159**

(22) Filed: **Dec. 11, 2013**

(51) **LOC (10) Cl.** **10-04**

(52) **U.S. Cl.**
USPC **D10/80; D10/103**

(58) **Field of Classification Search**
USPC D10/56, 78, 80, 102, 103
CPC G01N 19/10; G01N 27/048
See application file for complete search history.

FIG. 1 is a perspective view thereof;
FIG. 2 is a front plan view thereof;
FIG. 3 is a close-up front plan view of a portion thereof;
FIG. 4 is a back plan view thereof;
FIG. 5 is a left side elevational view thereof;
FIG. 6 is a right side elevational view thereof;
FIG. 7 is a top end elevational view thereof; and,
FIG. 8 is a bottom end elevational view thereof.

Broken lines are shown herein for illustrative purposes only, and form no part of the claimed design. As shown by the portions hatched with intersecting sets of lines, an arcuate portion of the external surface of the handheld meter is formed of a first material type. As shown by the parallel-line-hatched portions, elongated portions of the external surface of the handheld meter are formed of a second material type different from the first material type, or having different visual or tactile characteristics than does the first material type.

(56) **References Cited**

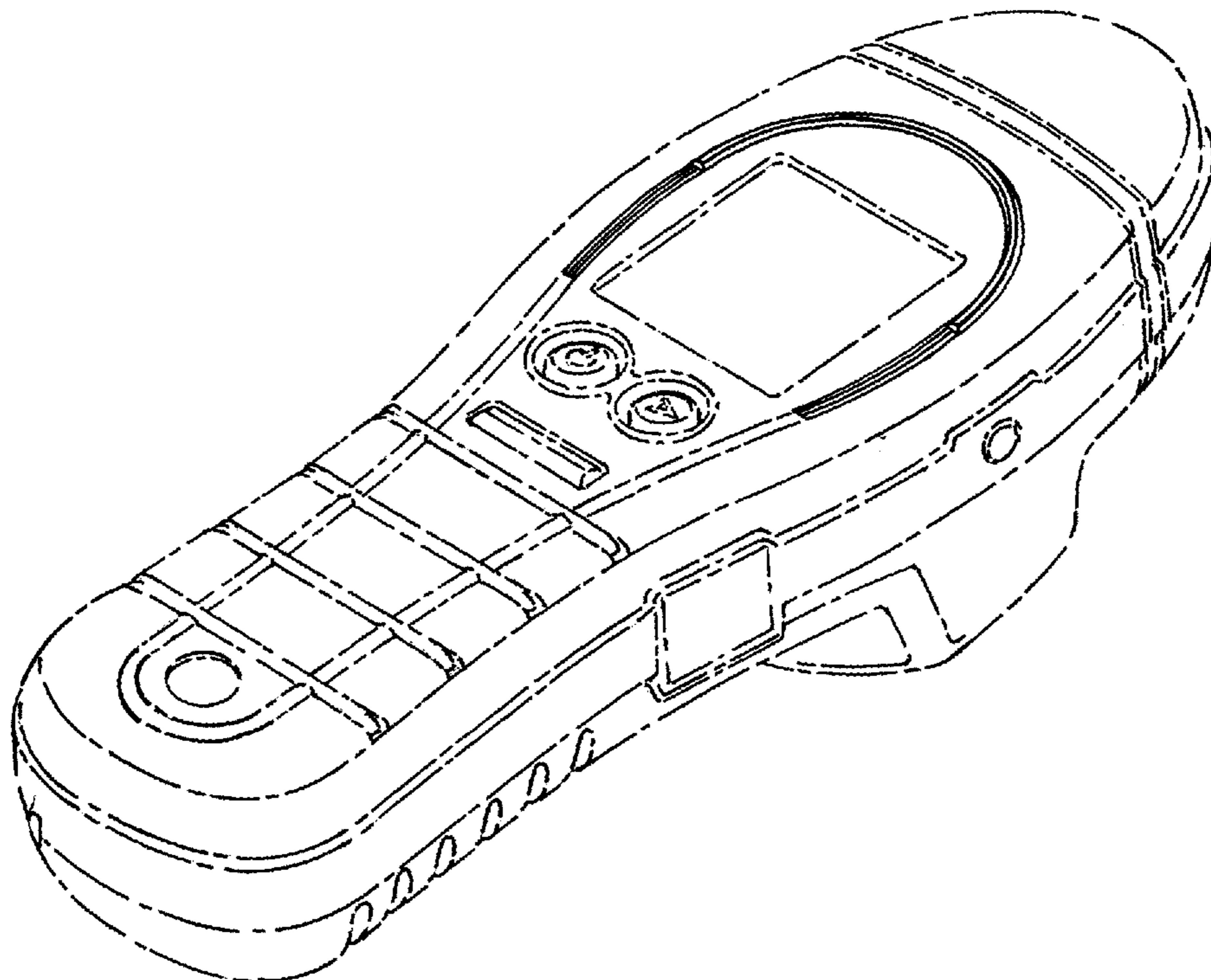
U.S. PATENT DOCUMENTS

D316,823 S 5/1991 Dadachanji
D528,933 S * 9/2006 Hunter D10/78

OTHER PUBLICATIONS

GE Measurement & Control, MMS2 Complete Protimeter Moisture Measurement System, www.MMS2meter.com; 4 pages.

1 Claim, 4 Drawing Sheets



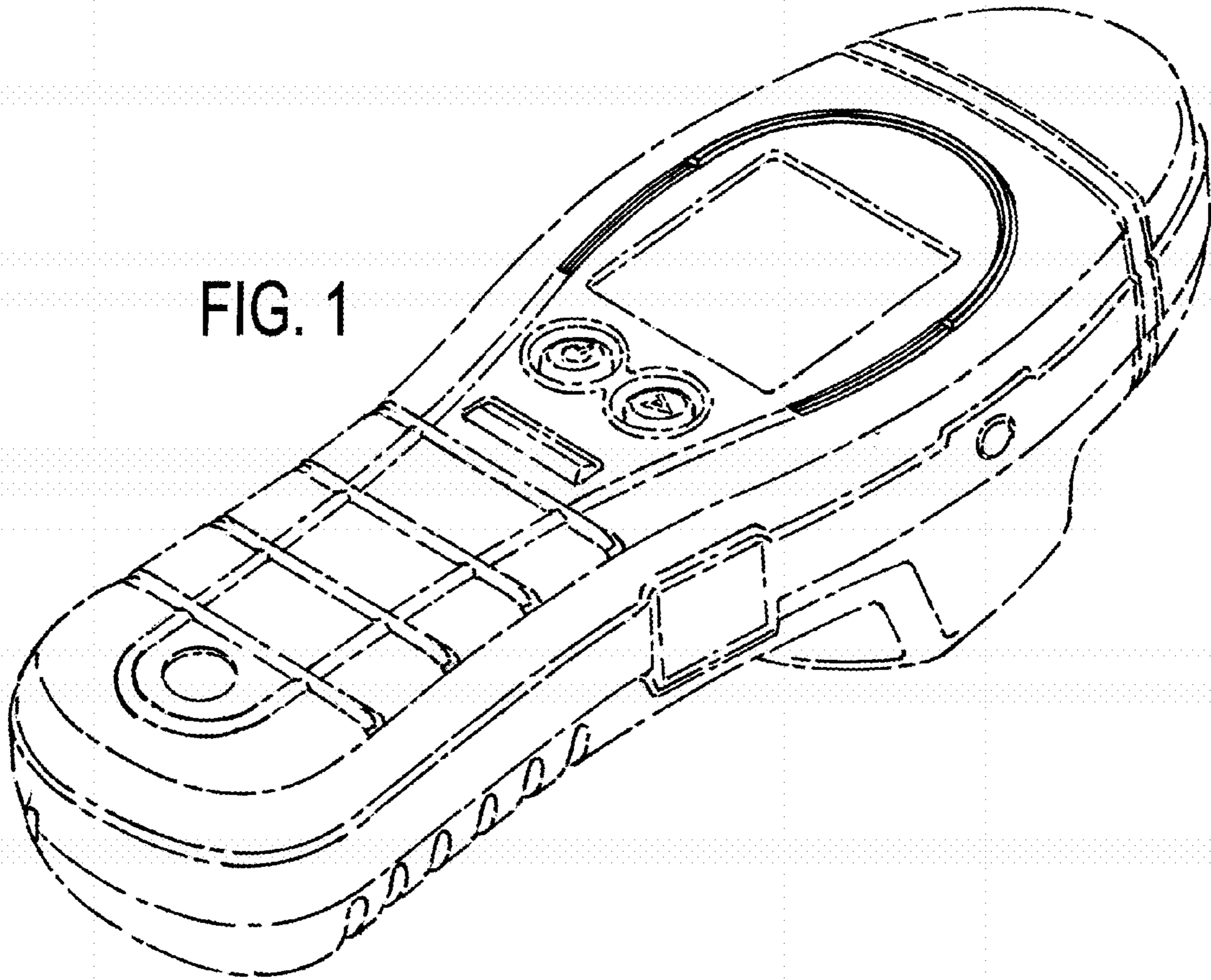


FIG. 1

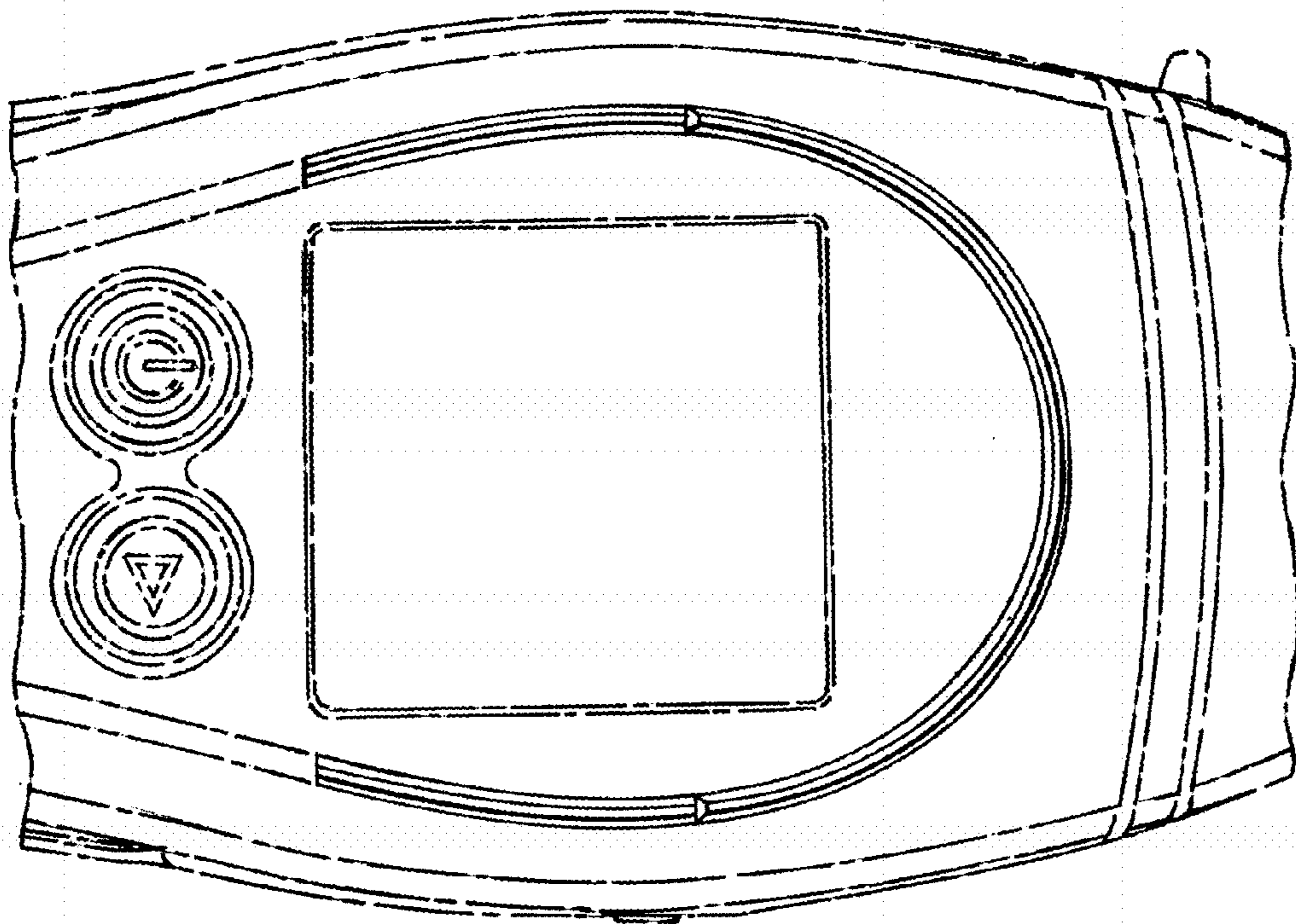


FIG. 3

FIG. 2

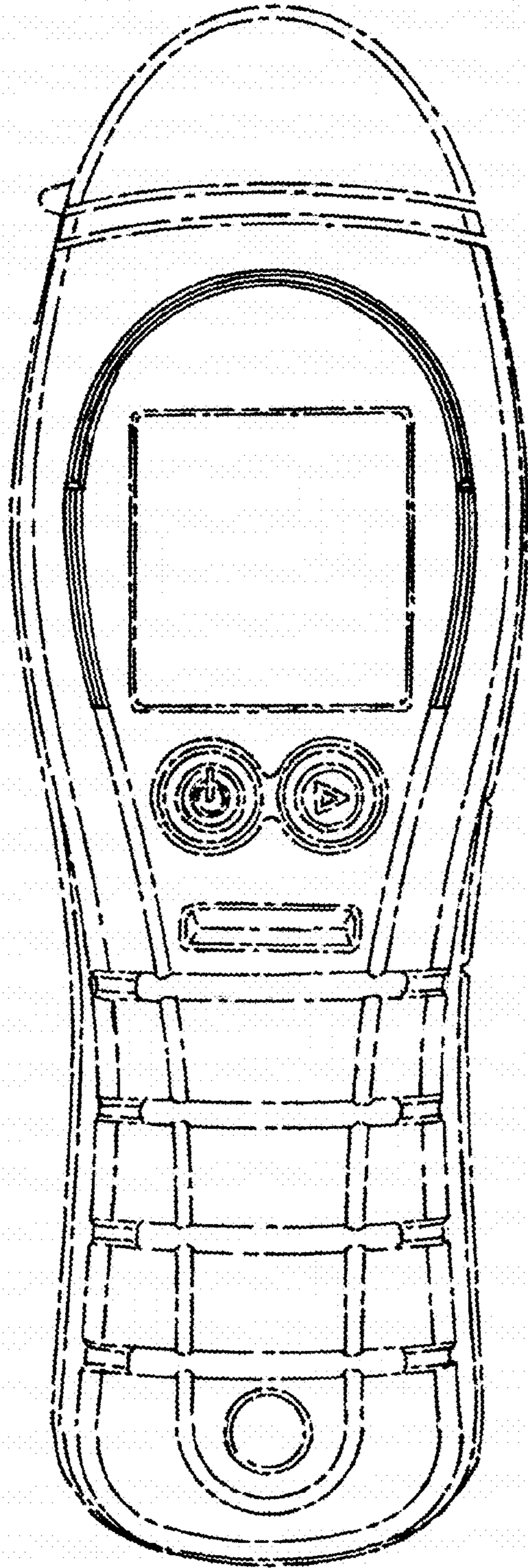


FIG. 4

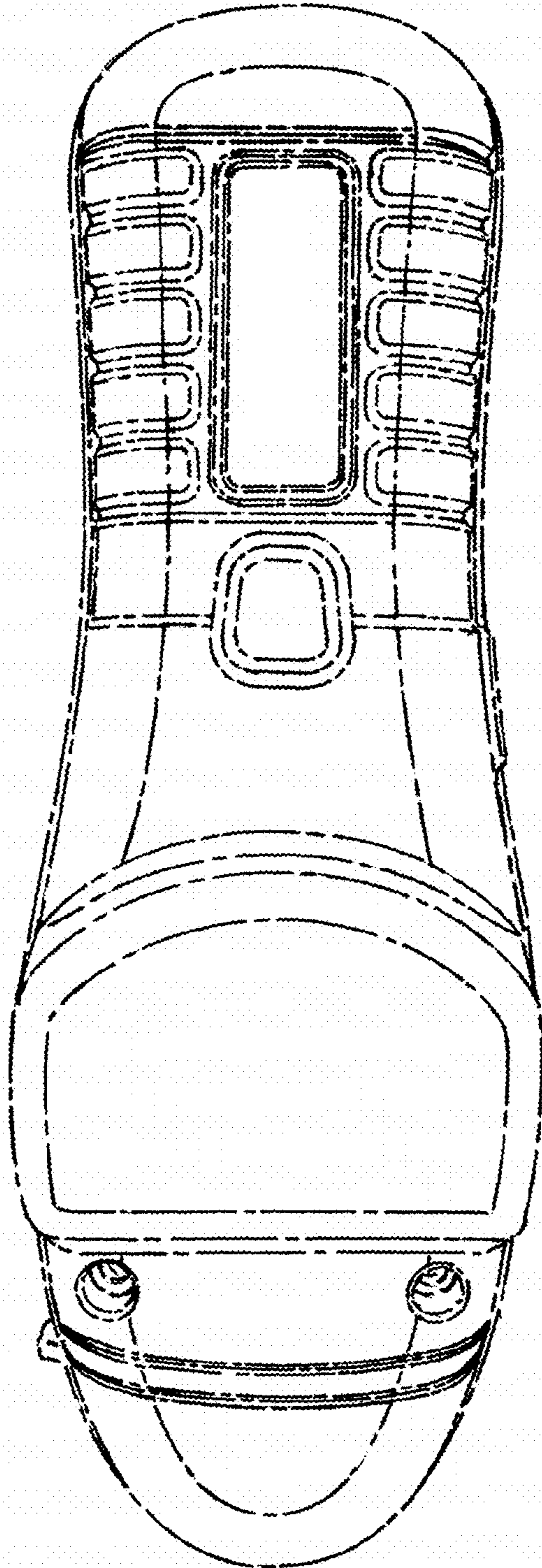


FIG. 5

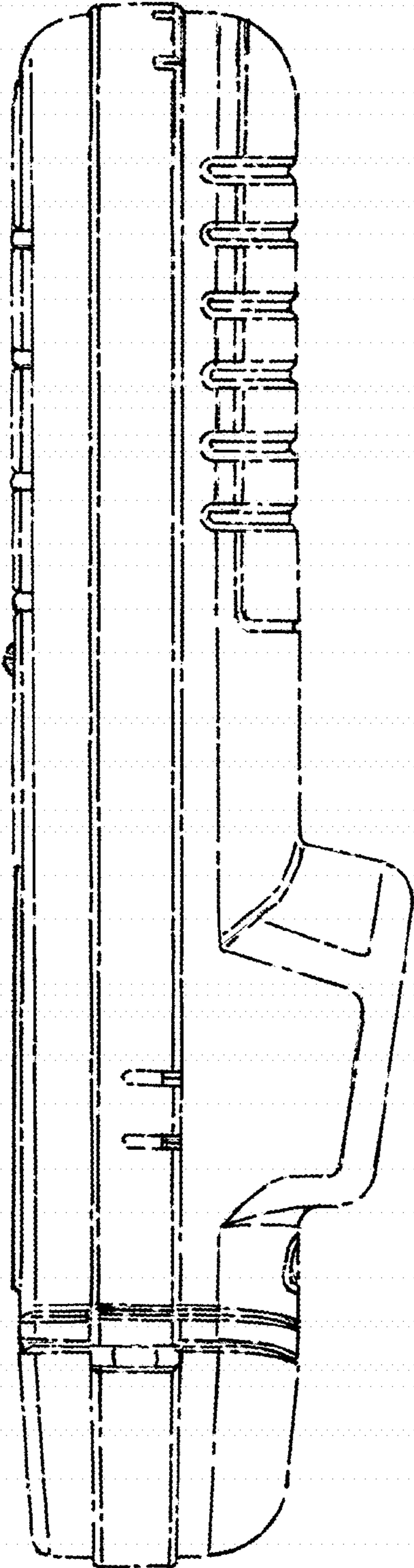
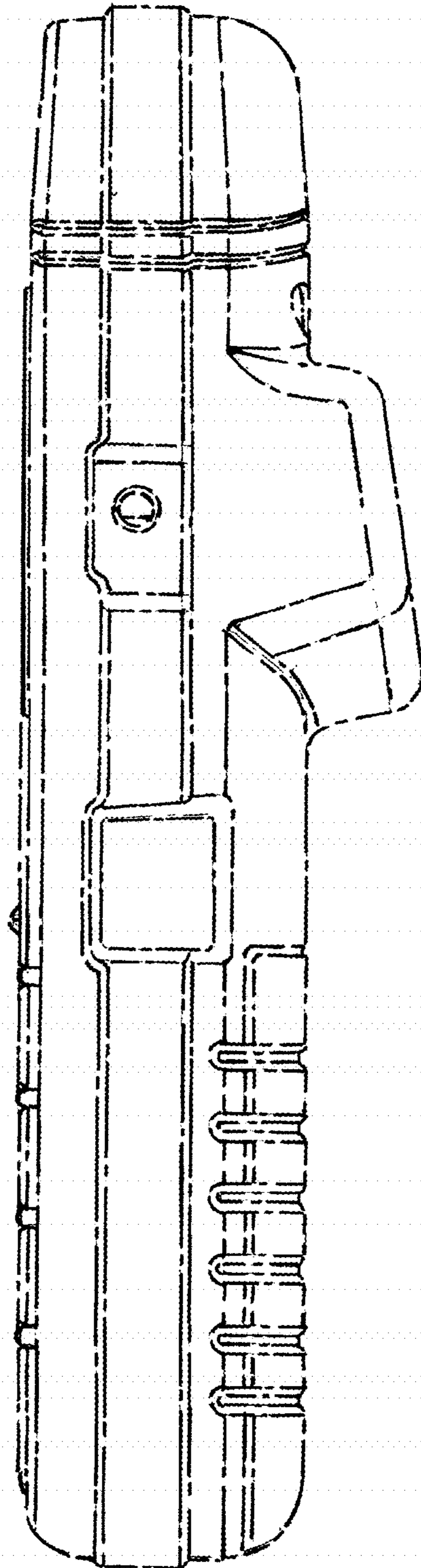


FIG. 6



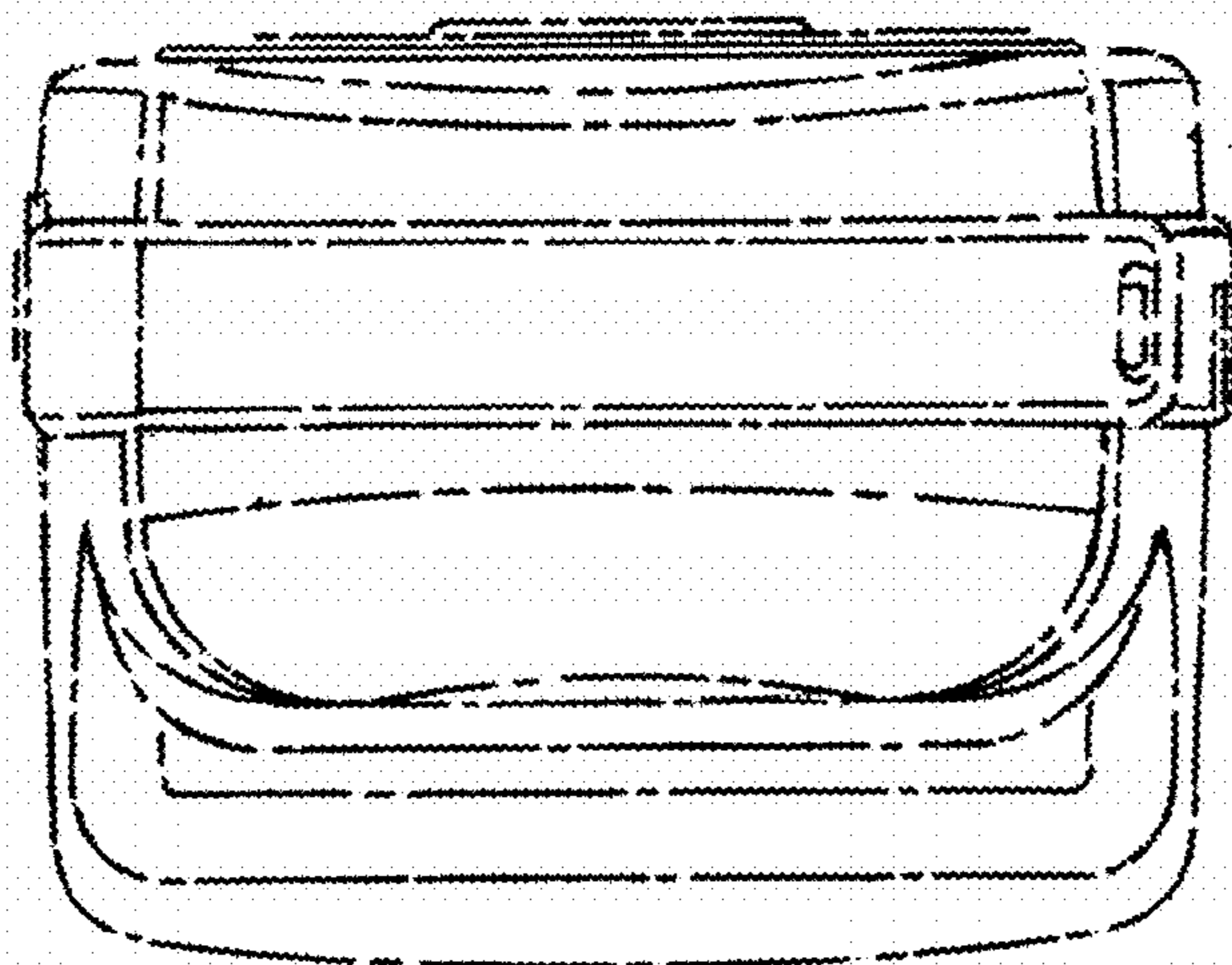


FIG. 7

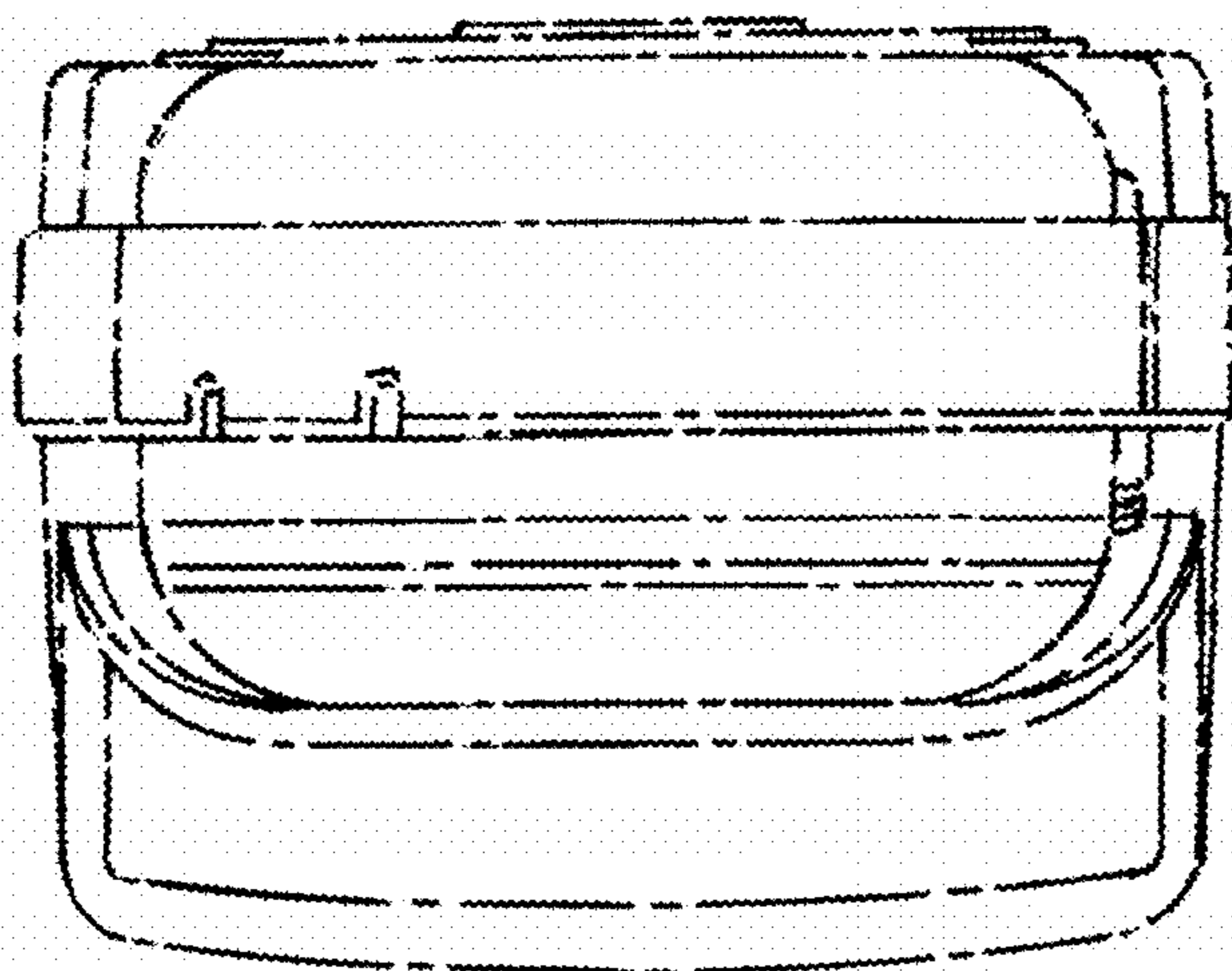


FIG. 8