



US00D764948S

(12) **United States Design Patent**  
**Green et al.**

(10) **Patent No.:** **US D764,948 S**

(45) **Date of Patent:** **\*\* Aug. 30, 2016**

(54) **DISPENSER FOR QUARTER-FOLDED WIPERS**

(71) Applicant: **Kimberly-Clark Worldwide, Inc.**,  
Neenah, WI (US)

(72) Inventors: **Jonathan Green**, Warlingham (GB);  
**Elise A. Gouveia**, Crawley (GB);  
**Joseph E. Oberdorf**, Amsterdam (NL)

(73) Assignee: **Kimberly-Clark Worldwide, Inc.**,  
Neenah, WI (US)

(\*\*) Term: **14 Years**

(21) Appl. No.: **29/518,628**

(22) Filed: **Feb. 25, 2015**

(51) **LOC (10) Cl.** ..... **09-01**

(52) **U.S. Cl.**  
USPC ..... **D9/734**

(58) **Field of Classification Search**  
USPC ..... D9/414, 424, 430, 431, 730, 734;  
D3/201, 205, 315, 901; D24/121, 128;  
D7/601, 602, 631, 641; 206/205, 210,  
206/216, 233, 389, 395, 581, 812; 221/33,  
221/36, 45, 46, 47, 52, 199, 255, 259, 305,  
221/309; D6/512, 515, 518, 522; 220/661,  
220/662, 669, 676  
CPC ..... B65D 85/00; B65D 81/00; B65D 81/22;  
B65D 83/0805; A47K 2010/3266; A47K  
10/42; A47K 10/426; G07F 11/00  
See application file for complete search history.

(56) **References Cited**

**U.S. PATENT DOCUMENTS**

1,587,463 A 6/1926 Arms  
1,863,240 A 6/1932 Daniels  
2,211,284 A 8/1940 Harrison  
3,161,336 A 12/1964 Loescher  
4,428,497 A \* 1/1984 Julius ..... A47K 10/421  
206/210

D351,765 S \* 10/1994 Beeler ..... D7/538  
D351,999 S \* 11/1994 Krupa ..... D9/423  
D372,615 S 8/1996 Owens  
D374,143 S 10/1996 Owens  
5,622,281 A 4/1997 Annand  
D413,047 S \* 8/1999 Gram ..... D7/631  
D414,085 S \* 9/1999 Campbell ..... D7/631  
D415,424 S 10/1999 Hill  
D417,351 S 12/1999 Scavuzzo  
D437,518 S 2/2001 Andersson  
D441,578 S 5/2001 Andersson  
D457,366 S 5/2002 Turbett et al.  
D501,764 S \* 2/2005 Lerner ..... D7/629  
D504,041 S 4/2005 Dudley et al.  
D578,021 S 10/2008 Reinsel et al.  
D601,201 S 9/2009 Nelson

(Continued)

**FOREIGN PATENT DOCUMENTS**

WO DM/050432 3/2000  
WO DM/052820 10/2000

*Primary Examiner* — Derrick Holland

*Assistant Examiner* — Lauren Calve

(57) **CLAIM**

We claim the ornamental design for a dispenser for quarter-folded wipers, as shown and described.

**DESCRIPTION**

FIG. 1 is a perspective view of a dispenser for quarter-folded wipers;

FIG. 2 is a second perspective view thereof;

FIG. 3 is a left side view thereof;

FIG. 4 is a right side view thereof;

FIG. 5 is a front view thereof;

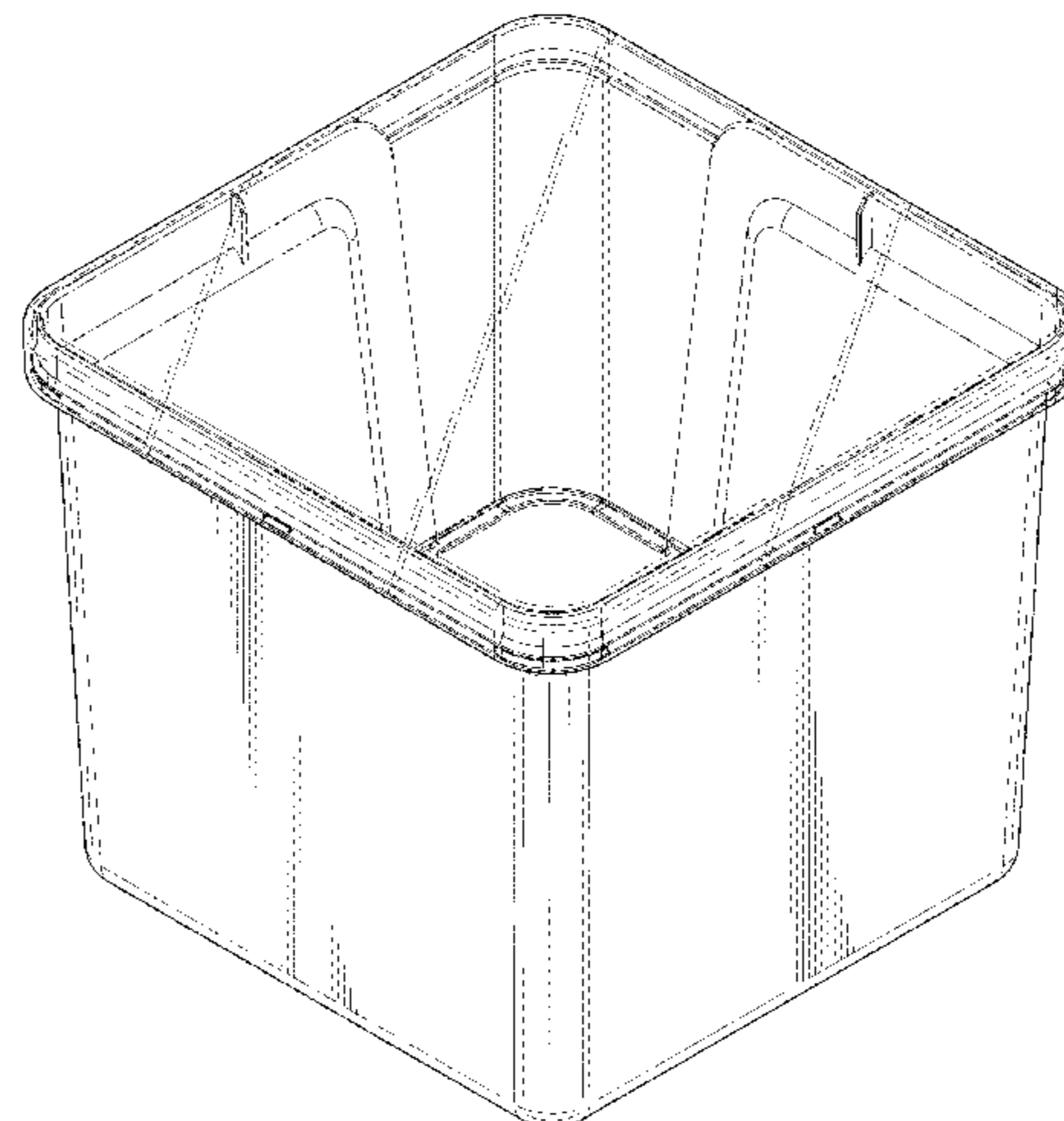
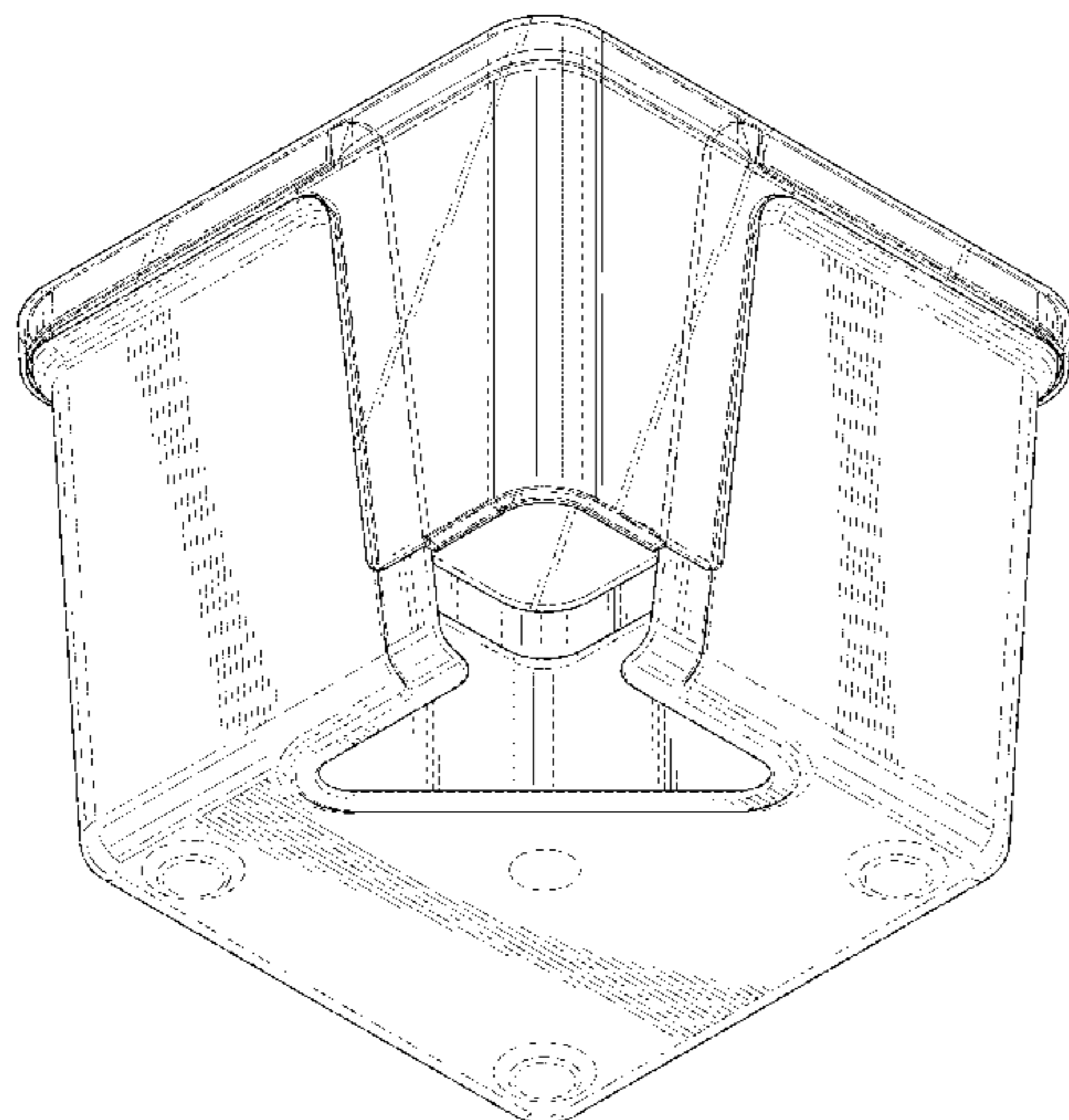
FIG. 6 is a rear view thereof;

FIG. 7 is a top plan view thereof; and,

FIG. 8 is a bottom plan view thereof.

The broken lines shown represent unclaimed subject matter and form no part of the claimed design.

**1 Claim, 8 Drawing Sheets**



# US D764,948 S

Page 2

(56)

## References Cited

### U.S. PATENT DOCUMENTS

D611,744 S 3/2010 Mayer  
D628,479 S \* 12/2010 Snedden ..... D9/431  
D651,434 S 1/2012 Conway  
D658,414 S 5/2012 Renzelman  
D699,470 S \* 2/2014 Pasquini ..... D6/522  
D710,940 S 8/2014 Kuehn et al.

D727,170 S \* 4/2015 Lokey ..... D9/415  
D729,004 S \* 5/2015 Deuber ..... D7/400  
D749,871 S \* 2/2016 Page ..... D6/518  
2003/0110557 A1 6/2003 Turbett et al.  
2004/0182874 A1 9/2004 Kringel et al.  
2008/0142536 A1 6/2008 Cohen et al.  
2009/0236358 A1 9/2009 Rippl et al.  
2012/0090475 A1\* 4/2012 Deuber ..... B65B 29/02  
99/295

\* cited by examiner

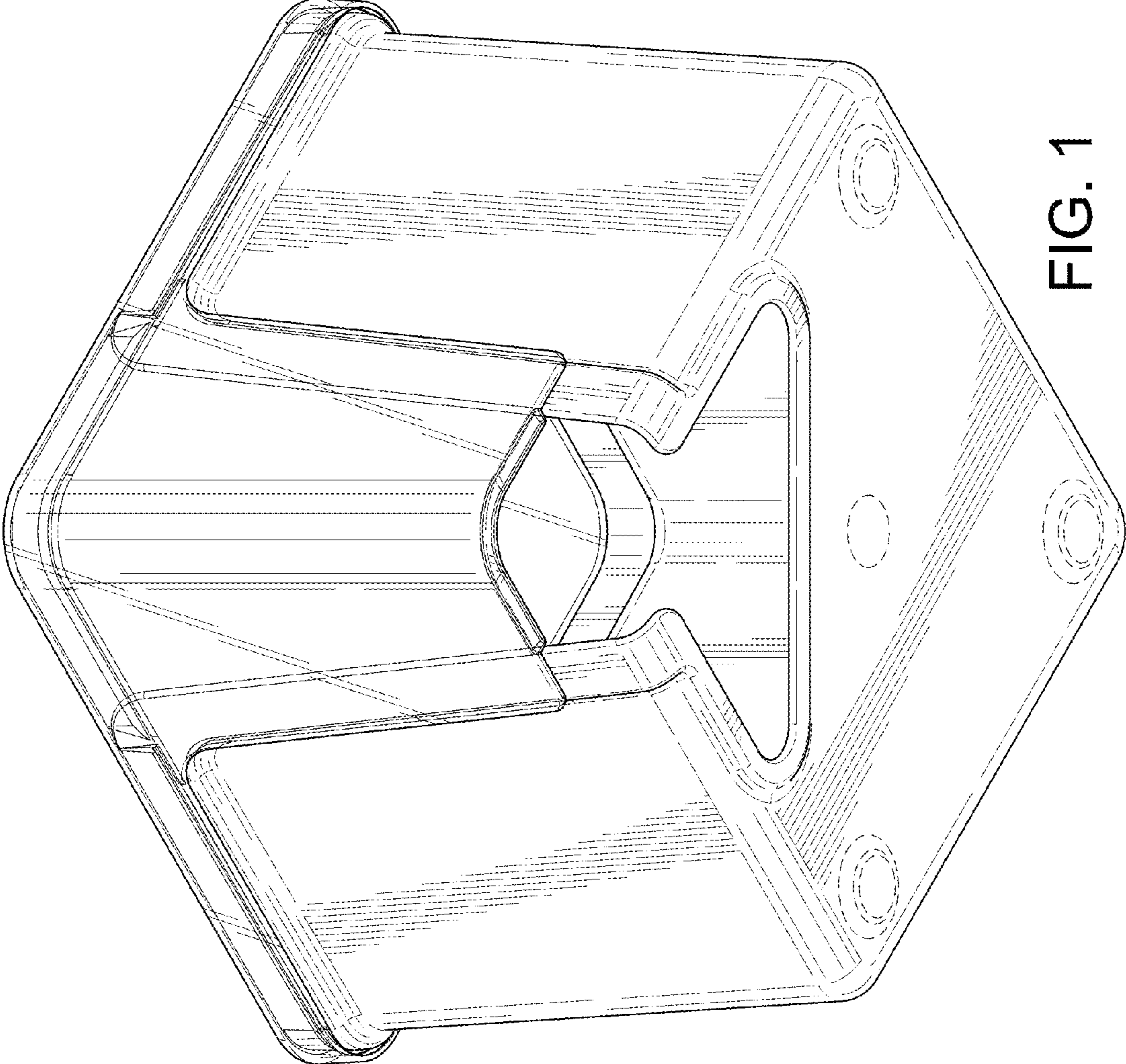


FIG. 1



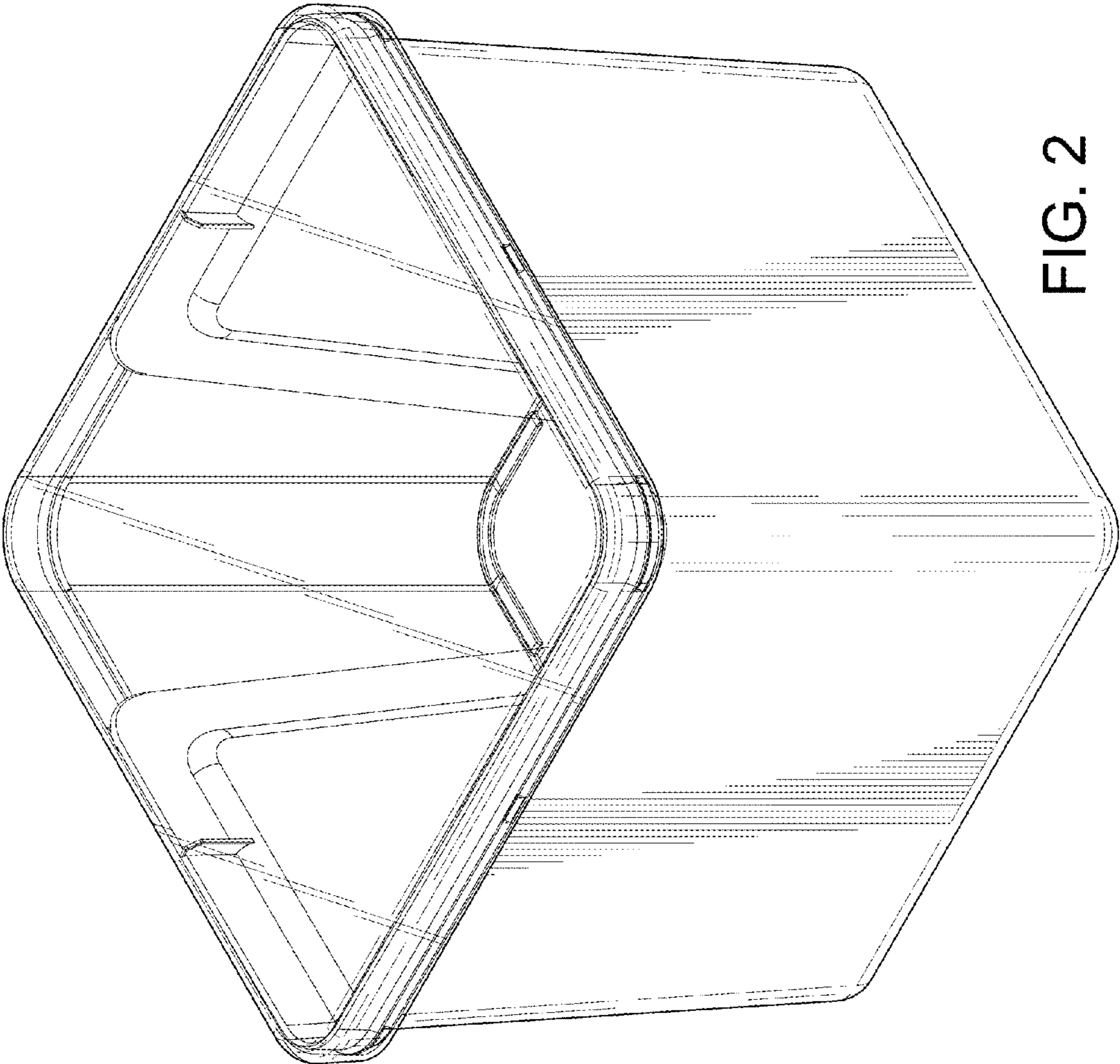


FIG. 2

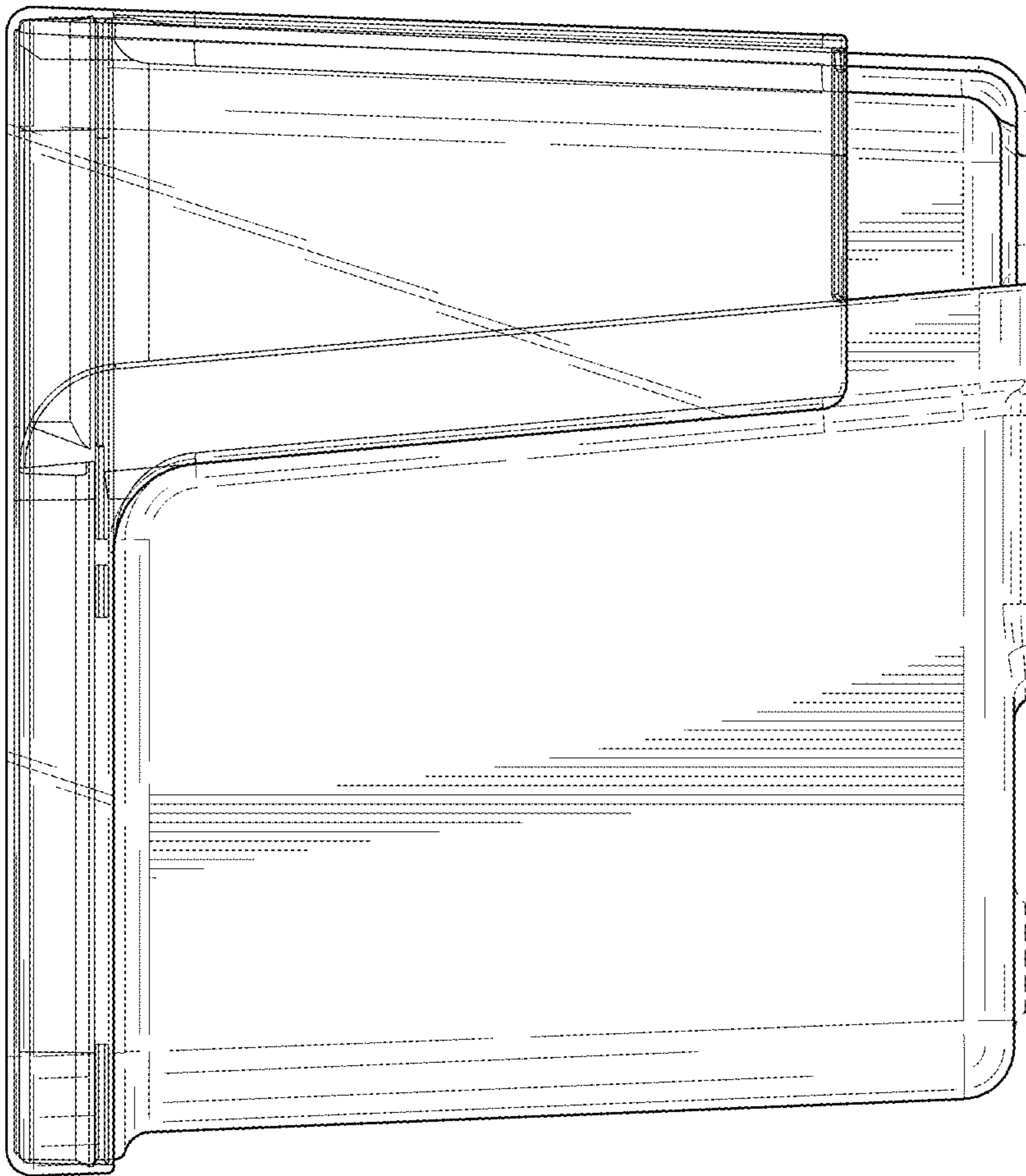


FIG. 3

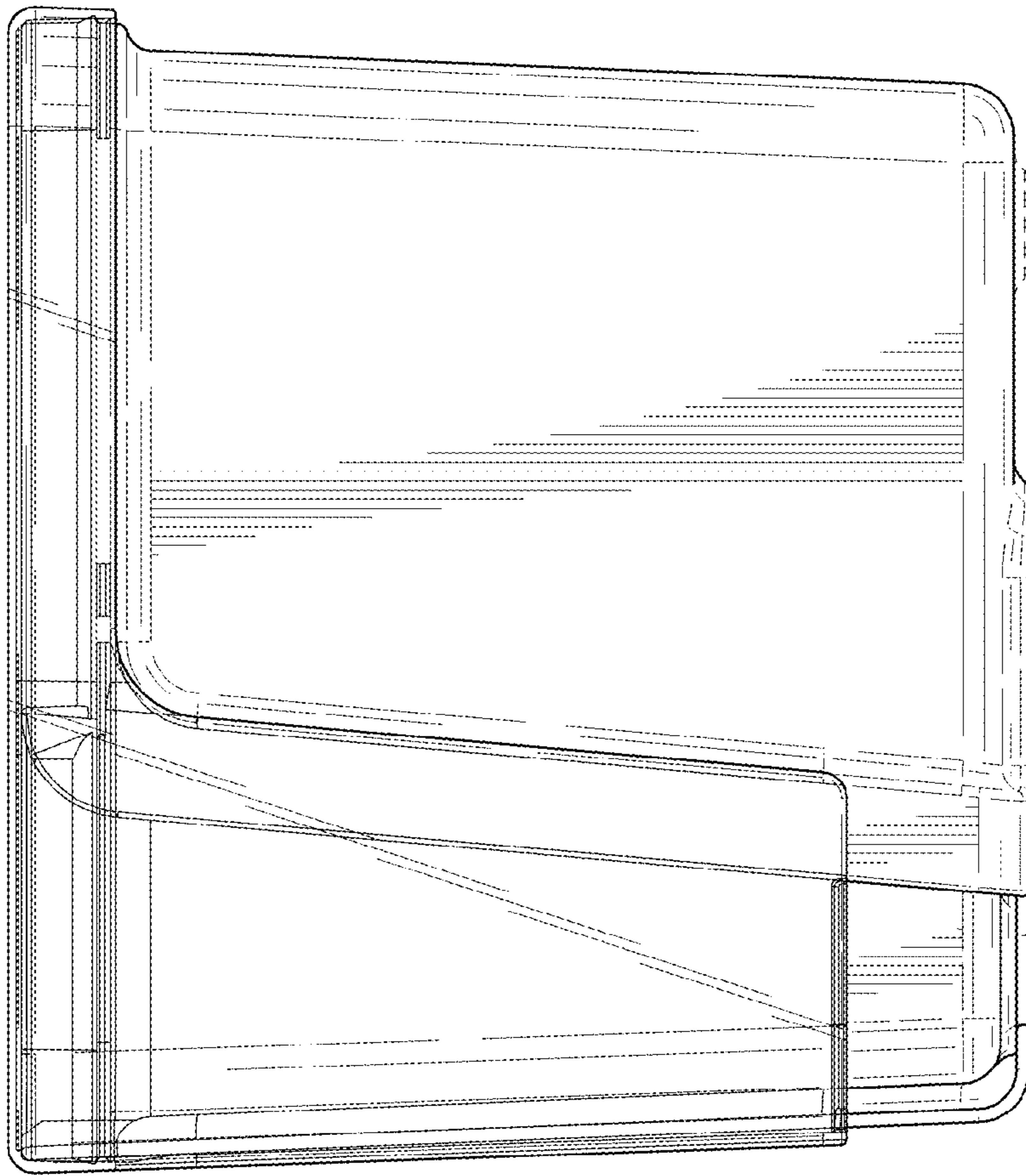


FIG. 4

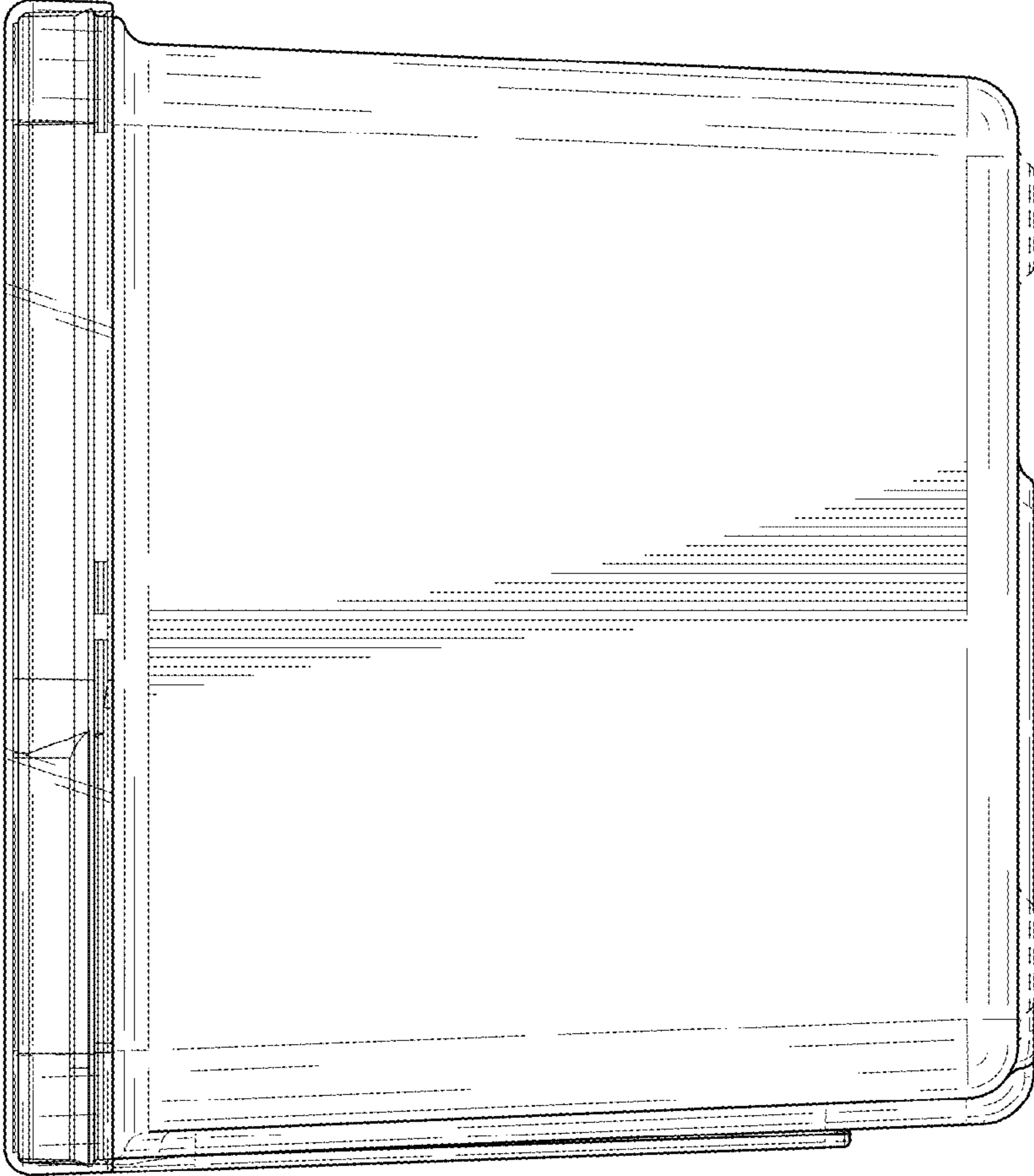


FIG. 5

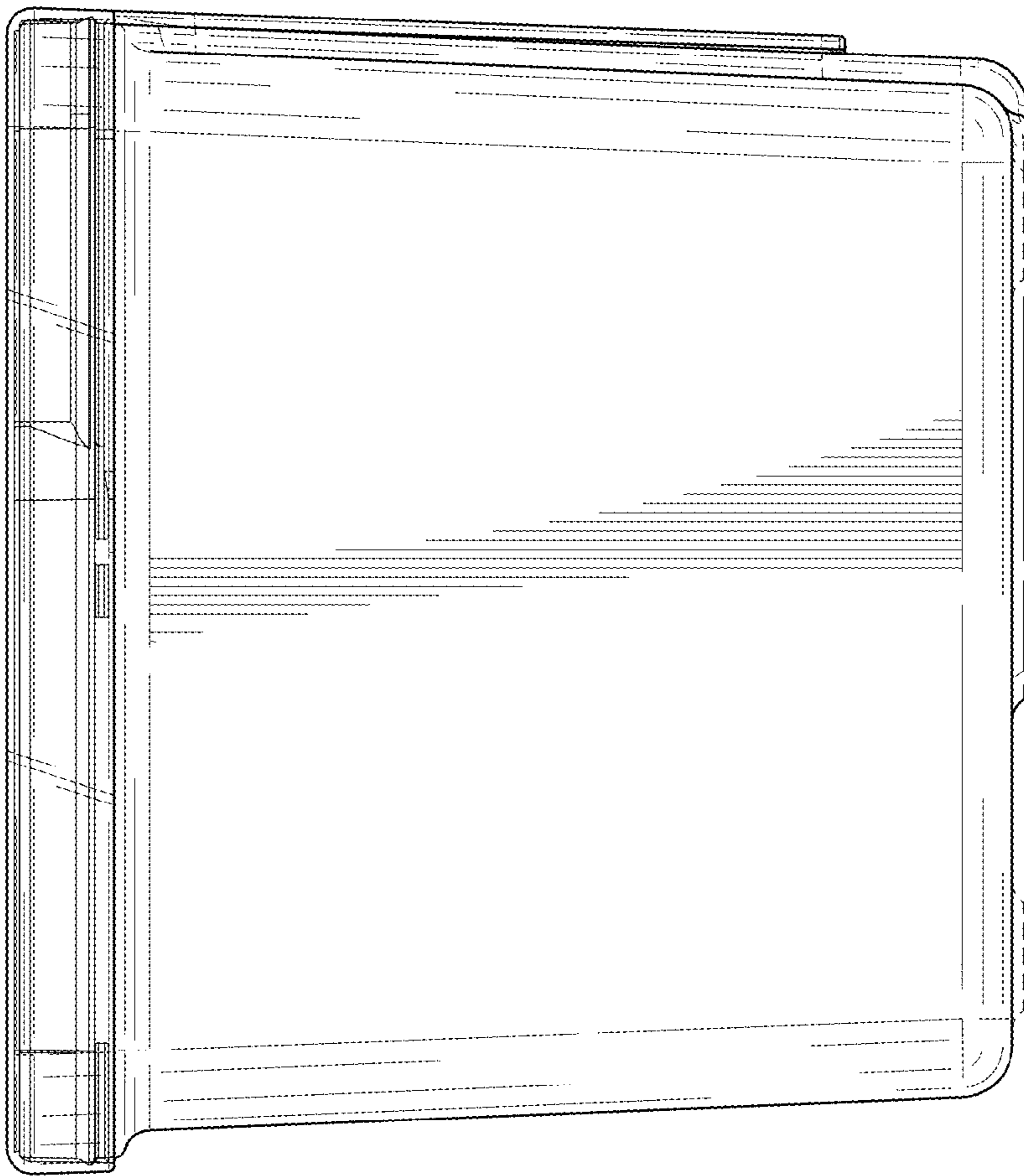


FIG. 6



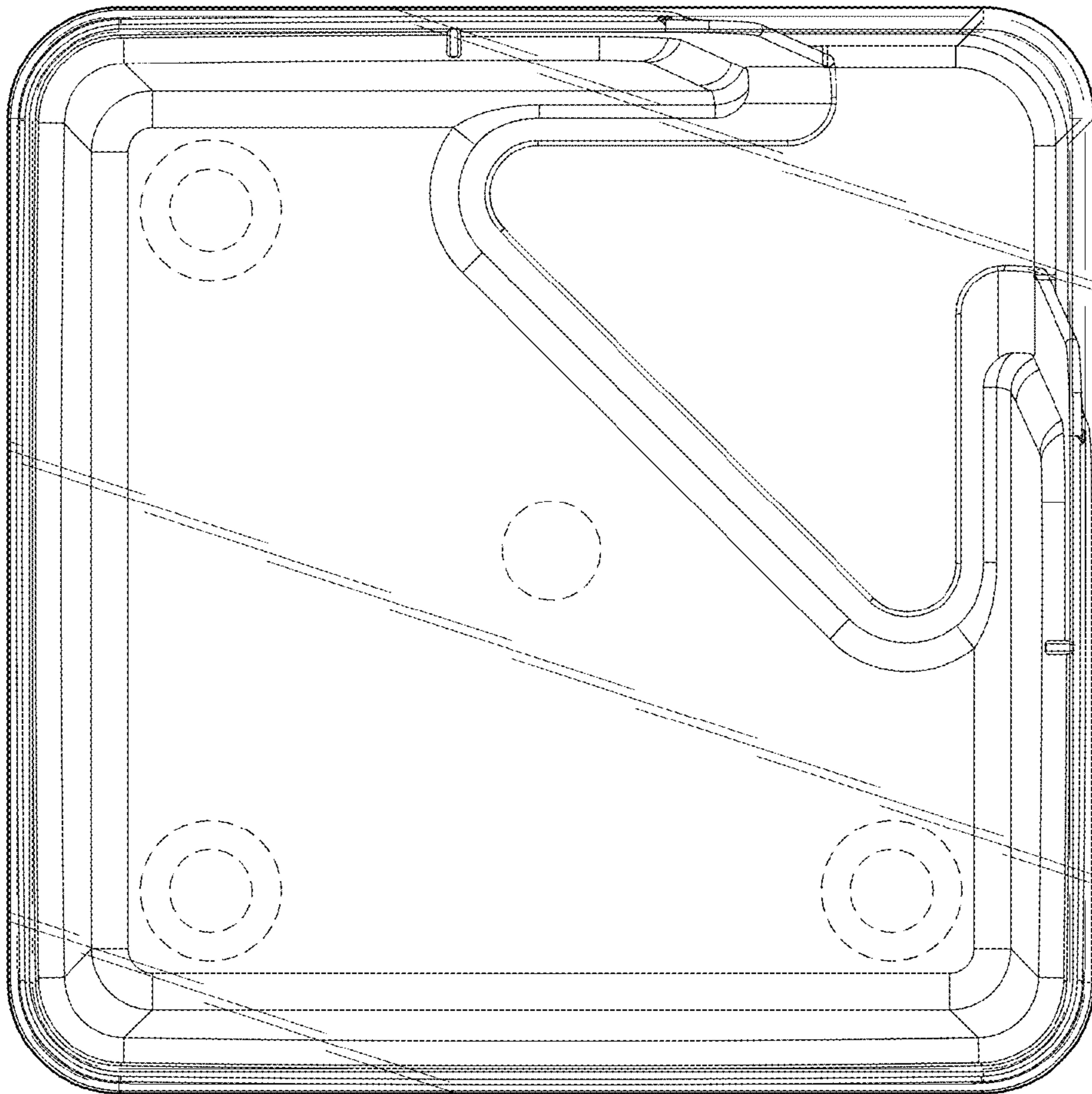


FIG. 7

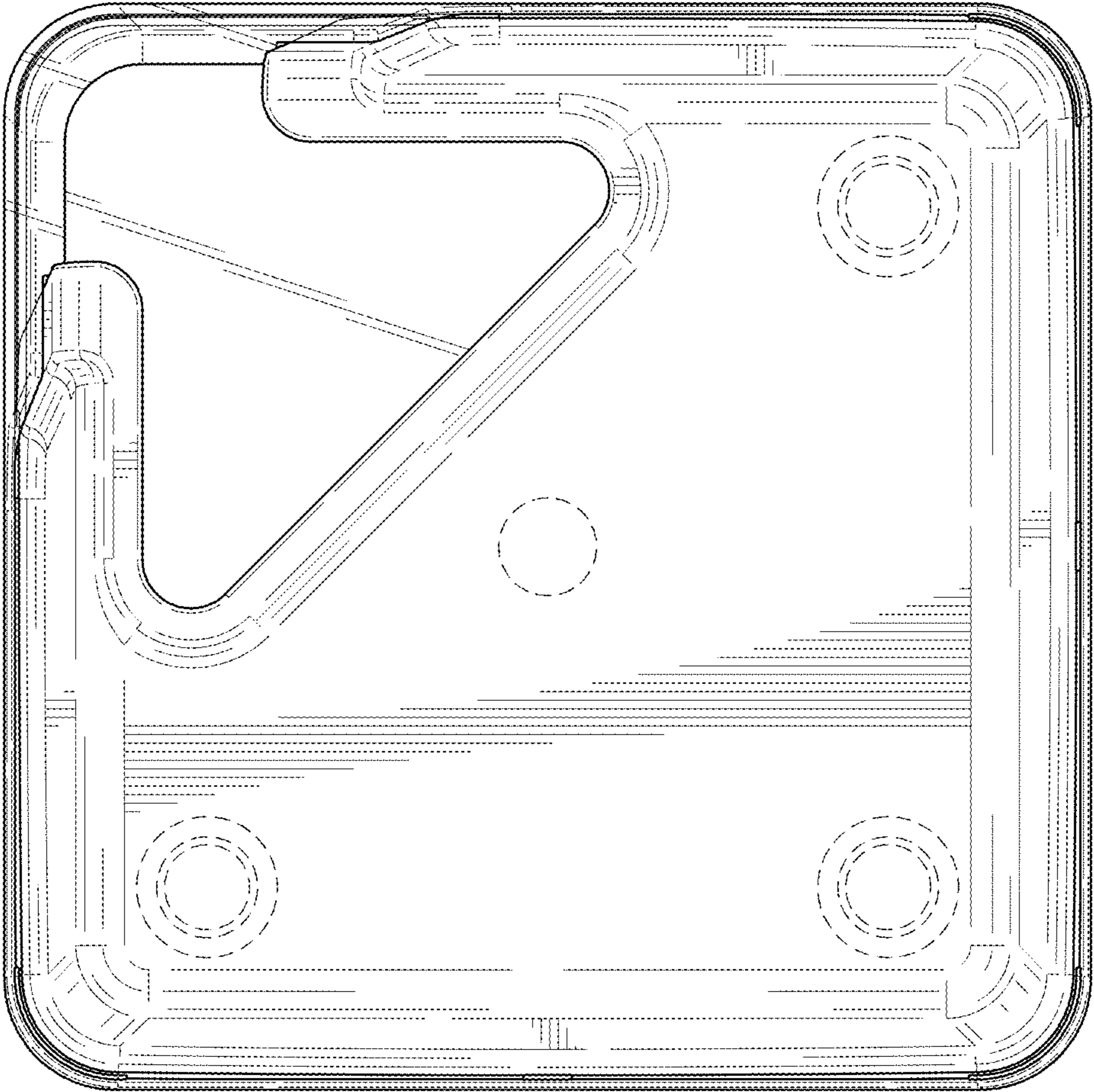


FIG. 8