

US00D764947S

(12) **United States Design Patent** (10) **Patent No.:** **US D764,947 S**
Kovens (45) **Date of Patent:** **** Aug. 30, 2016**

(54) **PACKAGING FOR EDIBLE PRODUCTS**
(71) Applicant: **A & A Global Industries, Inc.**,
Cockeysville, MD (US)
(72) Inventor: **Steven A. Kovens**, Cockeysville, MD
(US)
(73) Assignee: **A & A Global Industries, Inc.**,
Cockeysville, MD (US)

D106,651 S * 10/1937 Colognori D1/101
D112,661 S * 12/1938 Lewis D9/714
D241,819 S * 10/1976 Flecken et al. D1/199
D255,778 S * 7/1980 Albert D1/102
5,935,686 A * 8/1999 Daelmans B65D 75/10
206/524.1
D434,312 S * 11/2000 Pegler D9/714
D549,576 S * 8/2007 Gray D9/432
D588,453 S * 3/2009 Glade D9/430
D654,373 S * 2/2012 Czarny D9/714

* cited by examiner

(**) Term: **14 Years**
(21) Appl. No.: **29/519,232**

Primary Examiner — Abraham Bahta
(74) *Attorney, Agent, or Firm* — Neustel Law Offices;
Michael S. Neustel

(22) Filed: **Mar. 3, 2015**
(51) **LOC (10) Cl.** **09-05**
(52) **U.S. Cl.**
USPC **D9/714**

(57) **CLAIM**
The ornamental design for a packaging for edible products,
as shown and described.

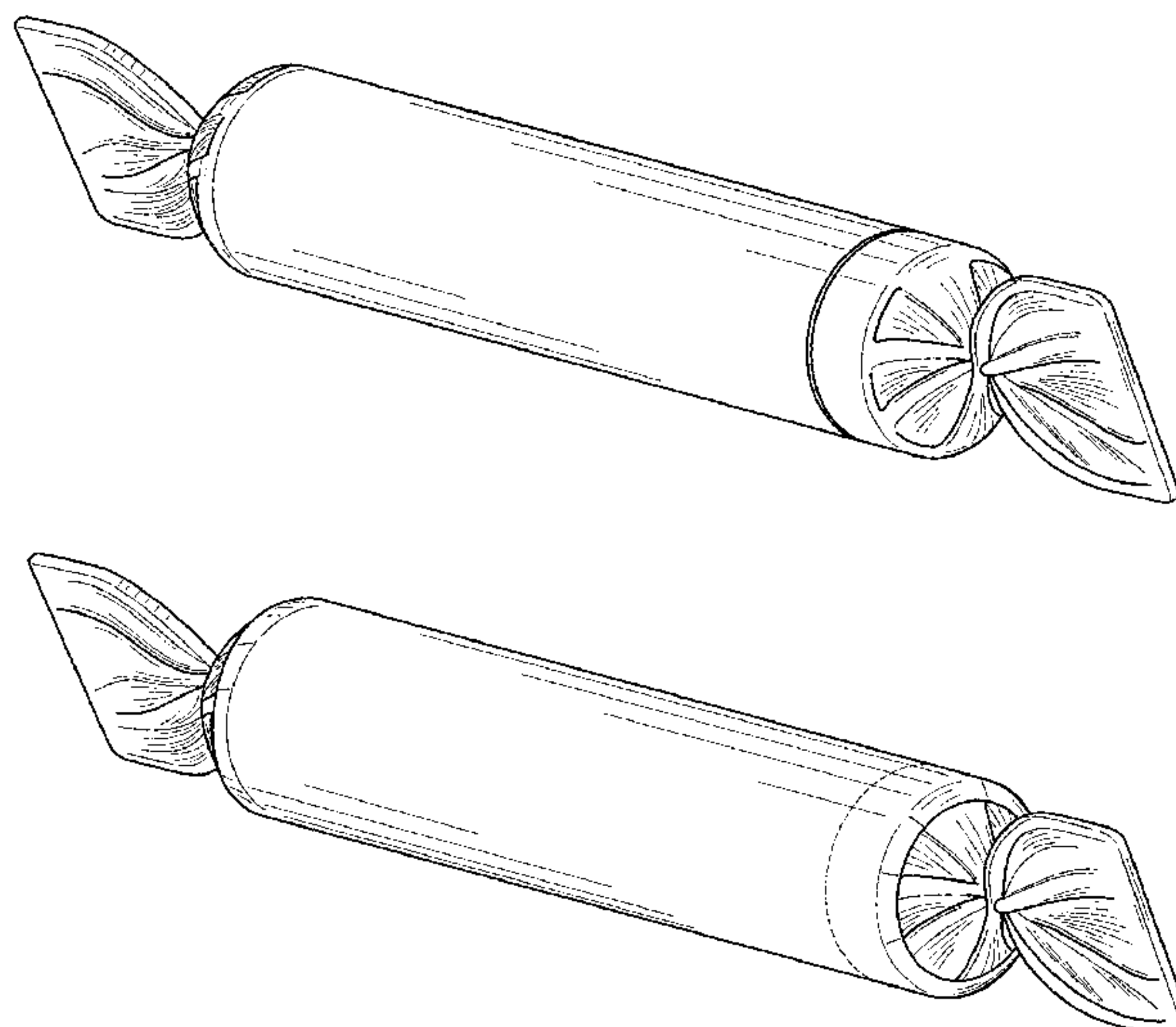
(58) **Field of Classification Search**
USPC D9/702–714, 720, 414, 415, 418–420,
D9/428, 430–433, 499; 383/9–11, 63, 71,
383/84, 86, 89, 90, 210–211, 41, 78, 906,
383/123; 206/802, 525, 527, 421, 822;
53/467; 229/87.09, 87.01, 87.08,
229/87.11; 102/324; 428/910; 138/118.21;
139/387 R, 388–389
CPC B65D 65/00; B65D 65/02; B65D 65/04;
B65D 65/10; B65D 65/38; B65D 65/18;
B65D 75/00; B65D 75/002; B65D 75/006;
B65D 75/06; B65D 75/10; B65D 75/08;
B65D 75/12; B65D 75/14; B65D 75/16;
B65D 75/18; B65D 75/26
See application file for complete search history.

DESCRIPTION

FIG. 1 is a perspective view of a first embodiment of the packaging for edible products showing my new design; FIG. 2 is a front view thereof; FIG. 3 is a rear view thereof; FIG. 4 is a right view thereof; FIG. 5 is a left view thereof; FIG. 6 is a top view thereof; FIG. 7 is a bottom view thereof; FIG. 8 is a perspective view of the second embodiment of a packaging for edible products showing my new design; FIG. 9 is a perspective view of the third embodiment of a packaging for edible products showing my new design; FIG. 10 is a front view of the packaging for edible products of FIG. 9; and, FIG. 11 is a right side view of the packaging for edible products of FIG. 9. The broken line portions of the drawings are included to show unclaimed subject matter and form no part of the claimed design.

(56) **References Cited**
U.S. PATENT DOCUMENTS
D28,242 S * 2/1898 McLean 229/87.08
1,815,261 A * 7/1931 Kemp B65D 65/18
229/87.08
D96,425 S * 7/1935 Spanel D9/645

1 Claim, 5 Drawing Sheets



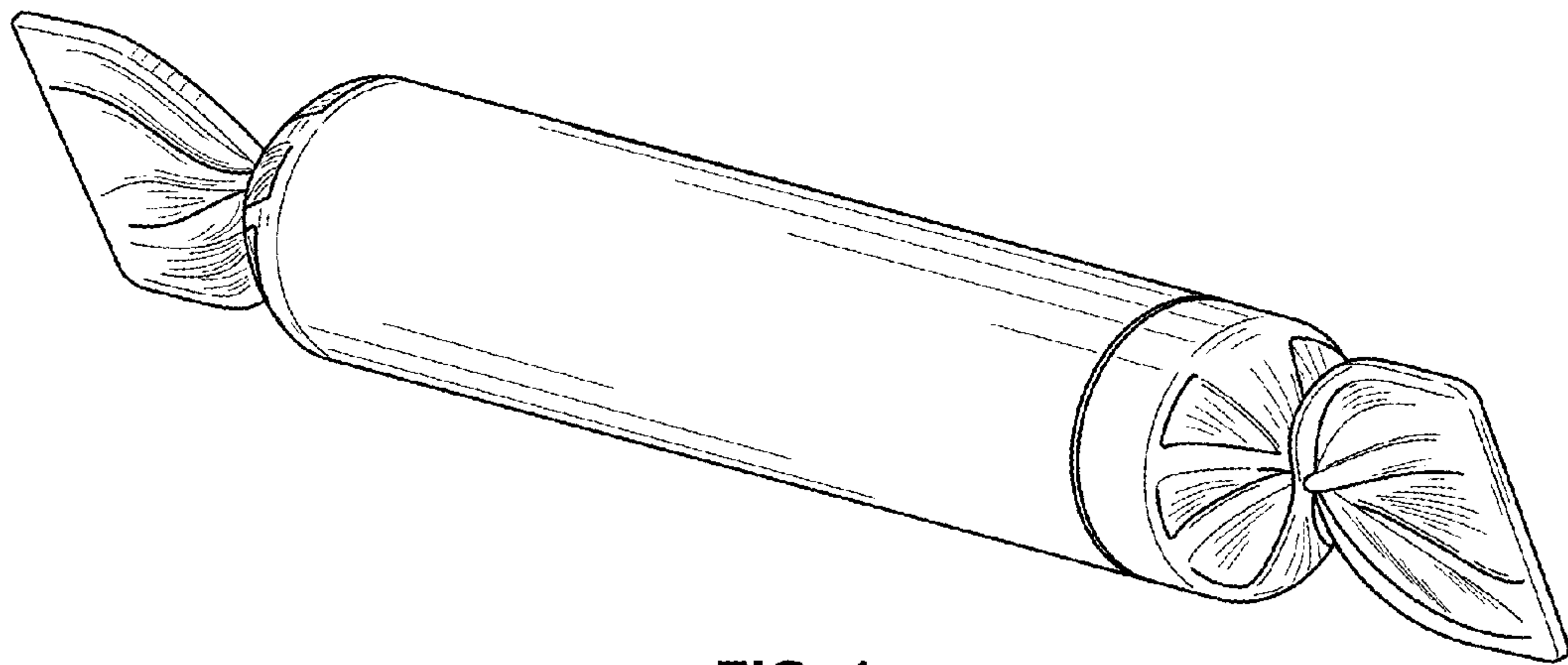


FIG. 1

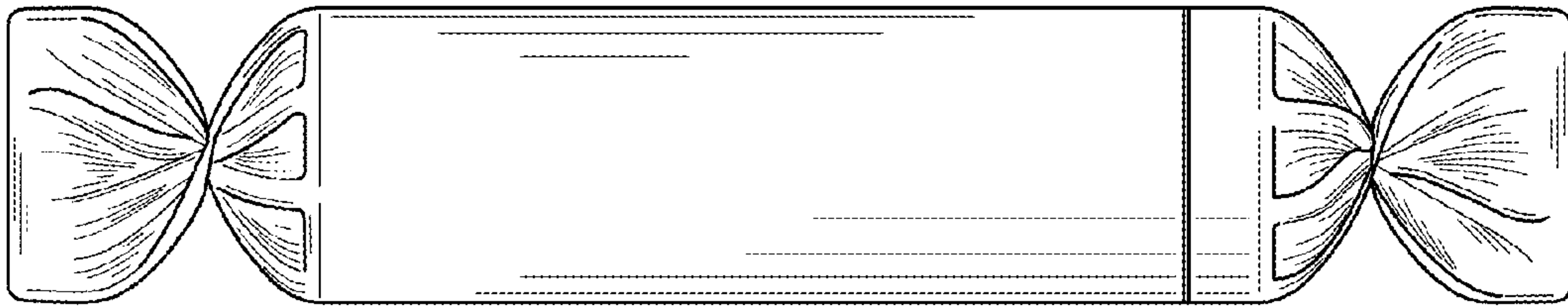


FIG. 2

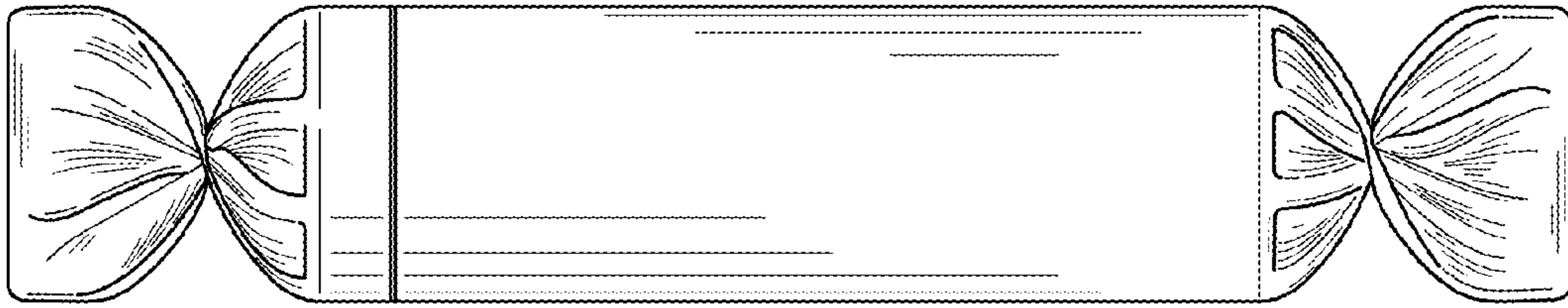


FIG. 3

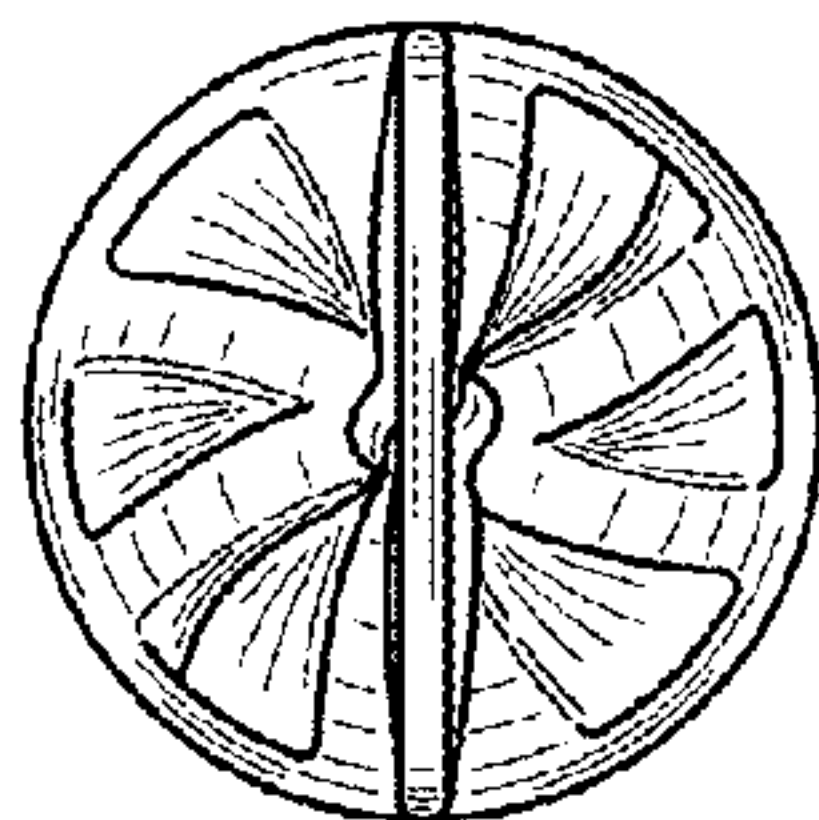


FIG. 4

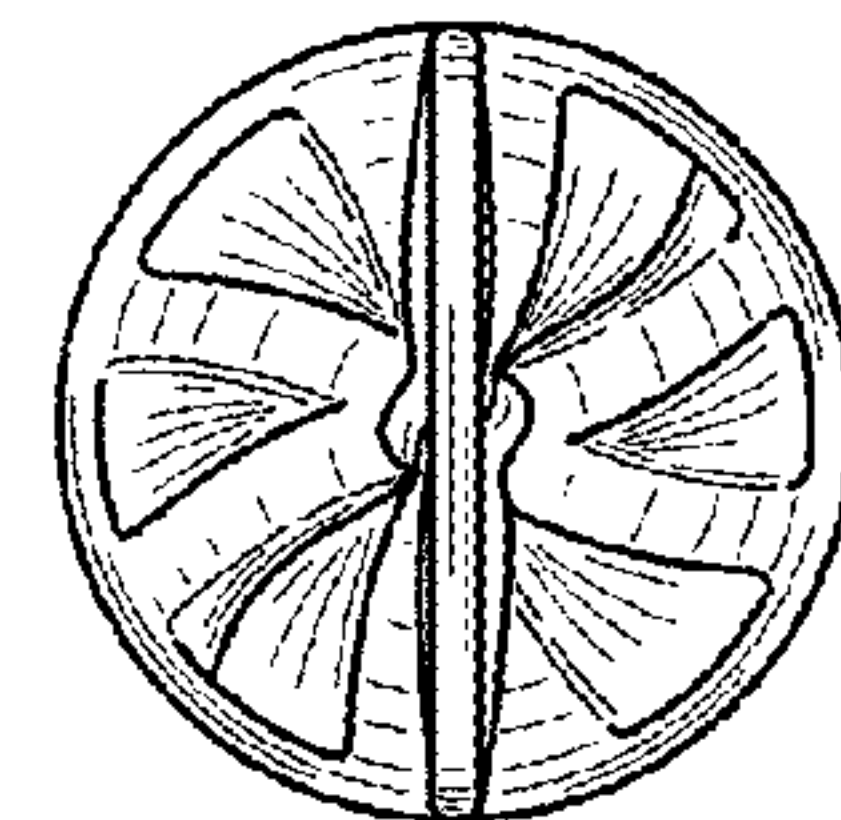


FIG. 5

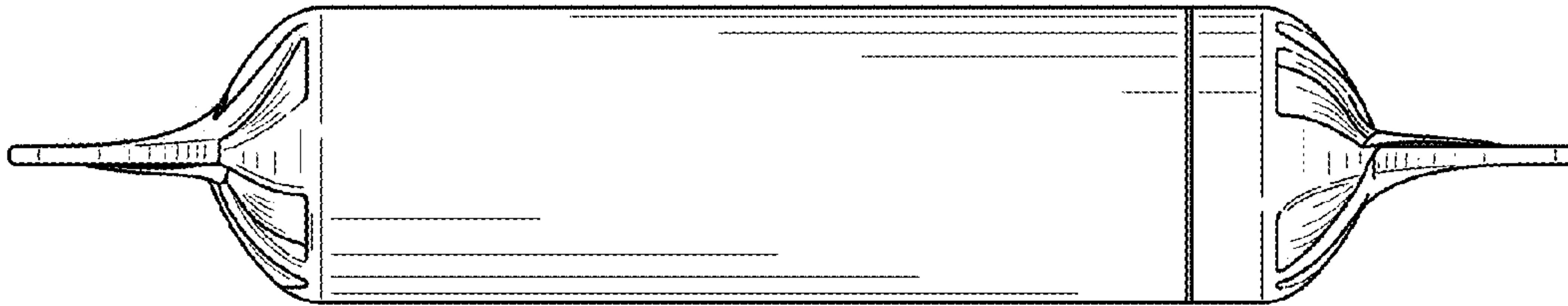


FIG. 6

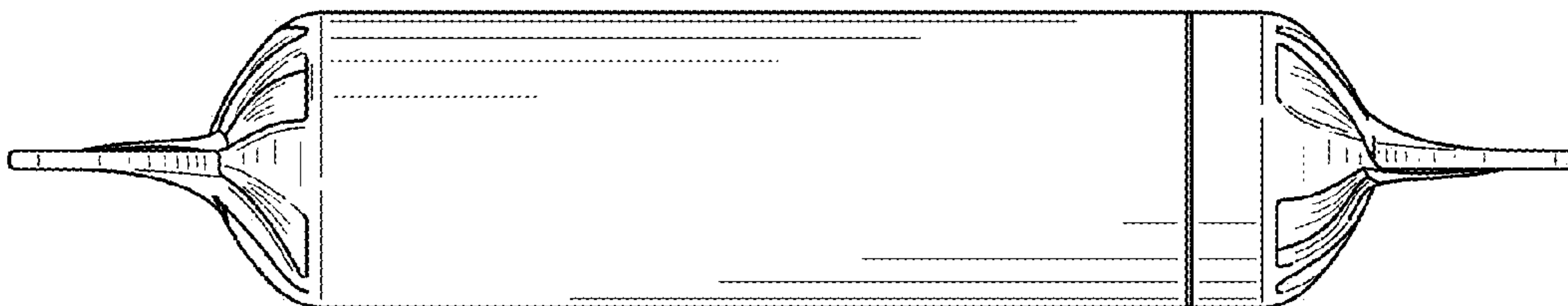


FIG. 7

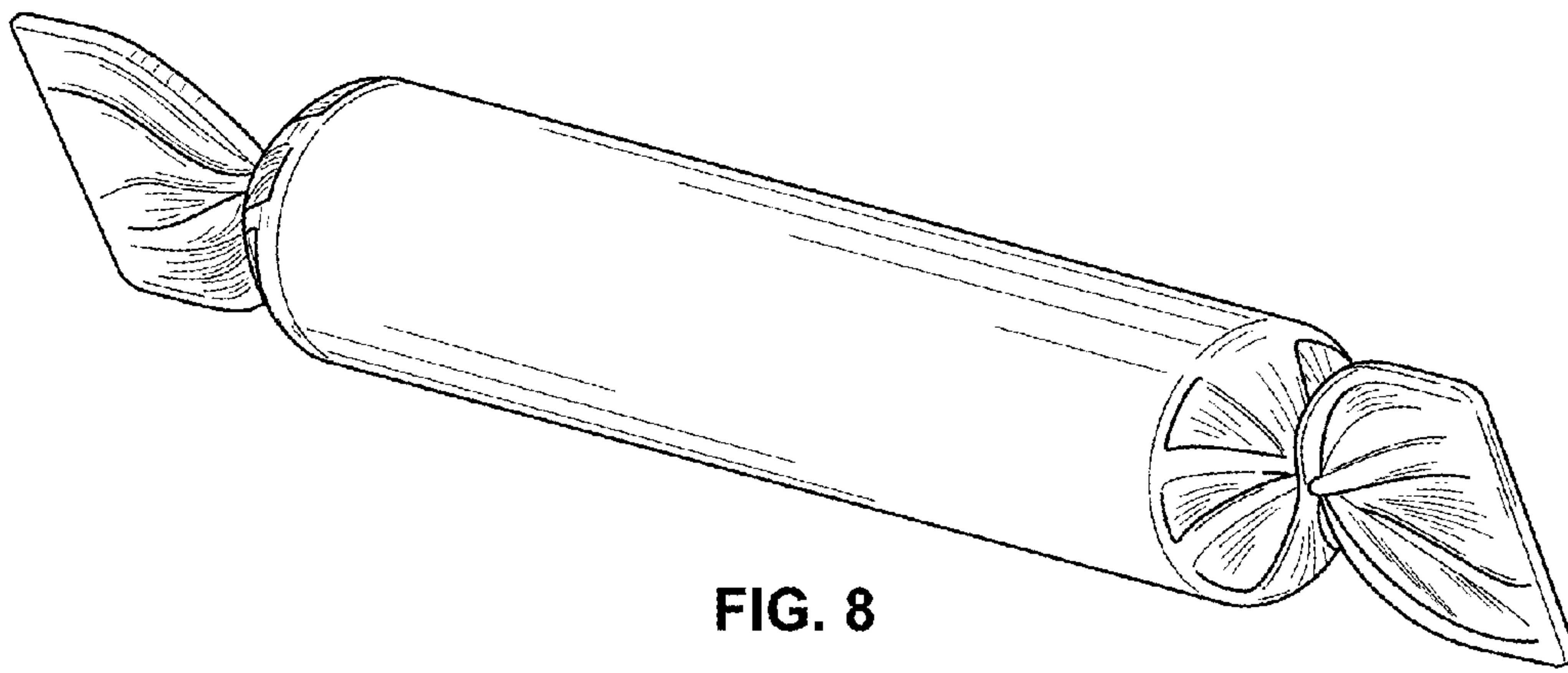


FIG. 8

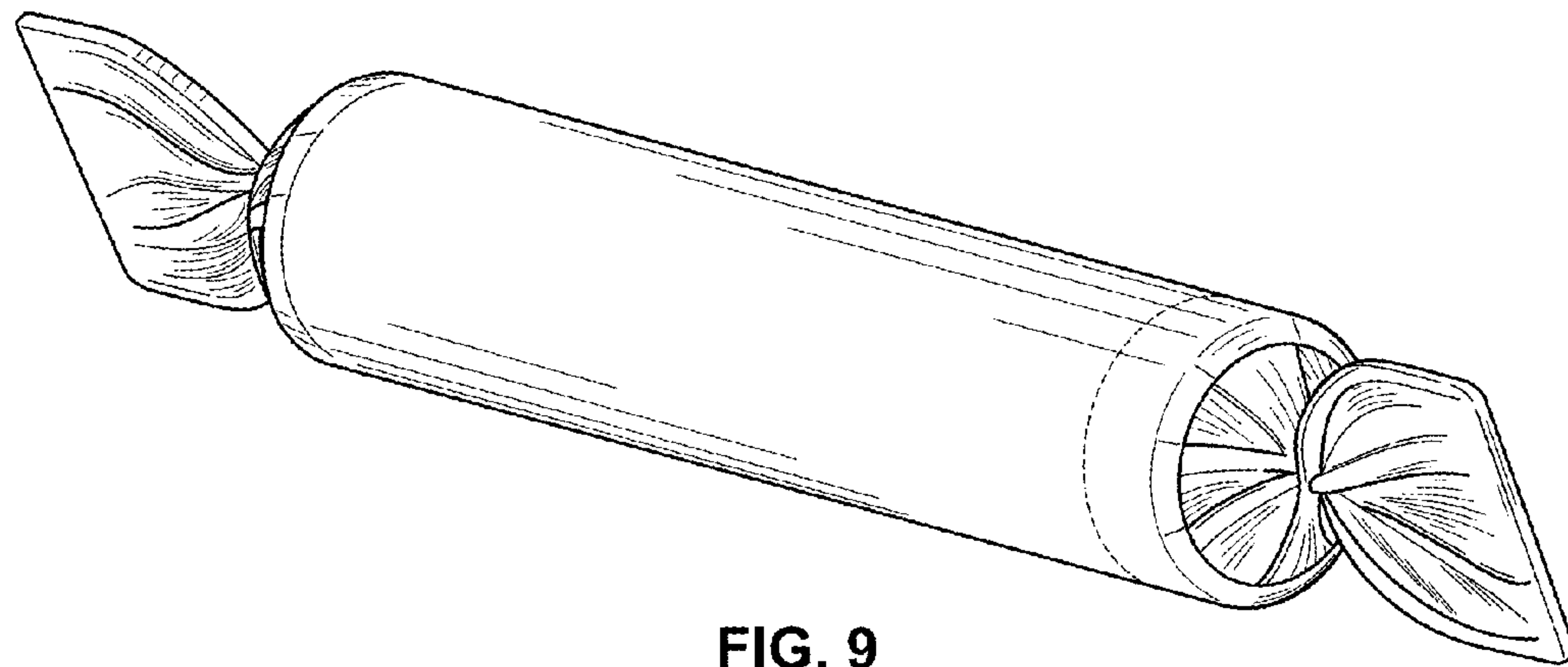


FIG. 9

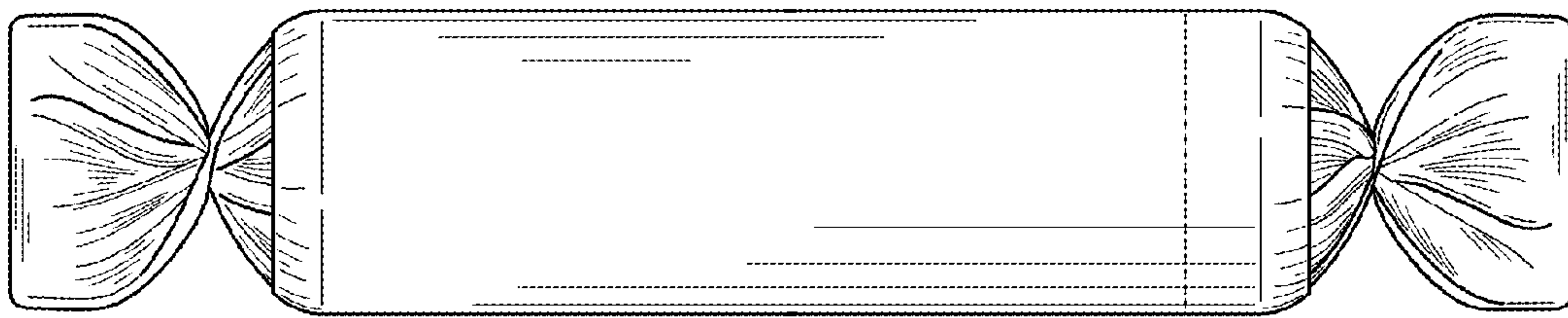


FIG. 10

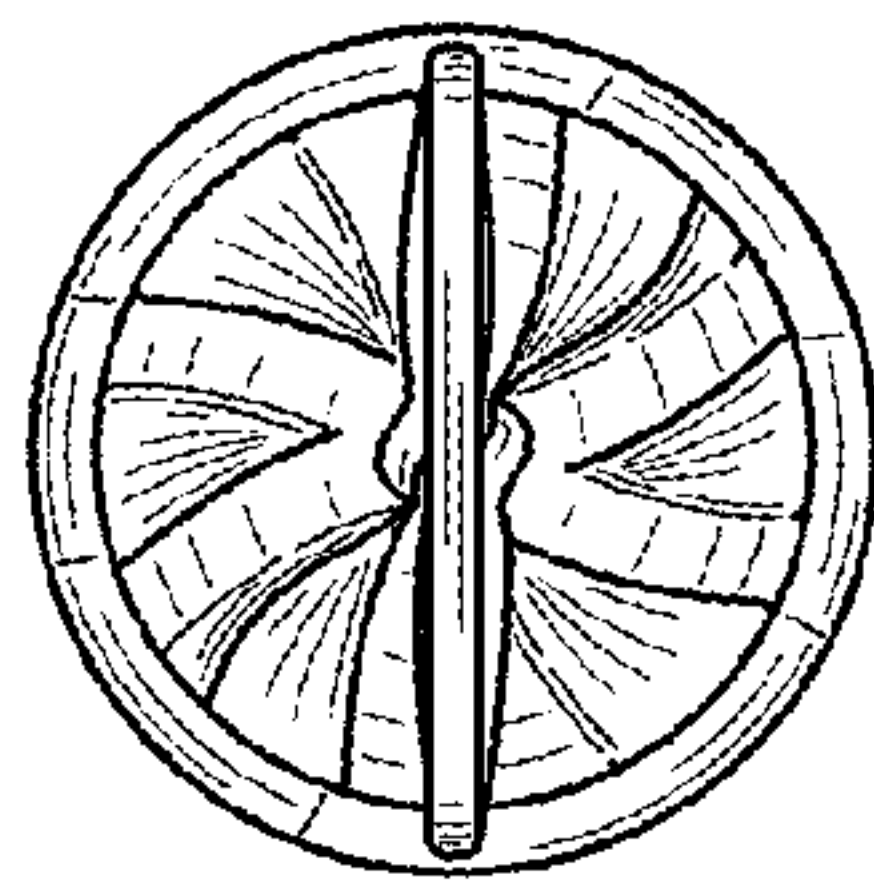


FIG. 11