



US00D764939S

(12) **United States Design Patent**
Akana et al.

(10) **Patent No.:** **US D764,939 S**
(45) **Date of Patent:** **** Aug. 30, 2016**

(54) **BAG**

(71) Applicant: **Apple Inc.**, Cupertino, CA (US)

(72) Inventors: **Jody Akana**, San Francisco, CA (US);
Molly Anderson, San Francisco, CA (US); **Bartley K. Andre**, Palo Alto, CA (US); **Shota Aoyagi**, San Francisco, CA (US); **Anthony Michael Ashcroft**, San Francisco, CA (US); **Jeremy Battailou**, San Francisco, CA (US); **Daniel J. Coster**, San Francisco, CA (US); **Daniele De Iuliis**, San Francisco, CA (US); **M. Evans Hankey**, San Francisco, CA (US); **Julian Hoenig**, San Francisco, CA (US); **Richard P. Howarth**, San Francisco, CA (US); **Jonathan P. Ive**, San Francisco, CA (US); **Duncan Robert Kerr**, San Francisco, CA (US); **Michael Korinek**, San Francisco, CA (US); **Matthew Dean Rohrbach**, San Francisco, CA (US); **Peter Russell-Clarke**, San Francisco, CA (US); **Benjamin Andrew Shaffer**, San Jose, CA (US); **Mikael Silvano**, San Francisco, CA (US); **Christopher J. Stringer**, Woodside, CA (US); **Clement Tissandier**, San Francisco, CA (US); **Eugene Antony Whang**, San Francisco, CA (US); **Rico Zörkendörfer**, San Francisco, CA (US)

(73) Assignee: **Apple Inc.**, Cupertino, CA (US)

(**) Term: **14 Years**

(21) Appl. No.: **29¹⁸519,8**

(22) Filed: **Mar. 9, 2015**

(51) **LOC (10) Cl.** **09-05**

(52) **U.S. Cl.**
USPC **D9/703**

(58) **Field of Classification Search**

USPC D9/702-714, 719, 738-740, 517-518,
D9/522, 416, 435, 444, 460, 455, 414, 499,
D9/431-432; D7/560-562; 206/434,
206/426-427, 429-430, 485, 485.1, 499,

206/508, 431, 418-422, 588-594;
229/117.3, 185, 121, 122, 200, 207,
229/236, 87.01; 220/23.83; 150/100-118;
294/137, 152; 383/6, 10, 14, 20, 40,
383/33, 104-105, 117, 108, 120, 93, 121.1,
383/127; 428/34.3
CPC B65D 33/00; B65D 33/06; B65D 33/065;
B65D 33/14; B65D 33/1683; B65D 33/12;
B65D 31/00; B65D 31/04; B65D 31/10
See application file for complete search history.

(56)

References Cited

U.S. PATENT DOCUMENTS

D254,478 S * 3/1980 Carroll D9/704
D343,288 S * 1/1994 Chao D3/290

(Continued)

Primary Examiner — Abraham Bahta

(74) *Attorney, Agent, or Firm* — Sterne, Kessler, Goldstein & Fox P.L.L.C.

(57)

CLAIM

The ornamental design for a bag, as shown and described.

DESCRIPTION

FIG. 1 is a top front perspective view of a bag showing our new design;

FIG. 2 is a front view thereof;

FIG. 3 is a rear view thereof;

FIG. 4 is a left side view thereof;

FIG. 5 is a right side view thereof;

FIG. 6 is a top view thereof;

FIG. 7 is a bottom view thereof;

FIG. 8 is a reference cross-sectional view taken along line 8-8 in FIG. 5 with handles removed; and,

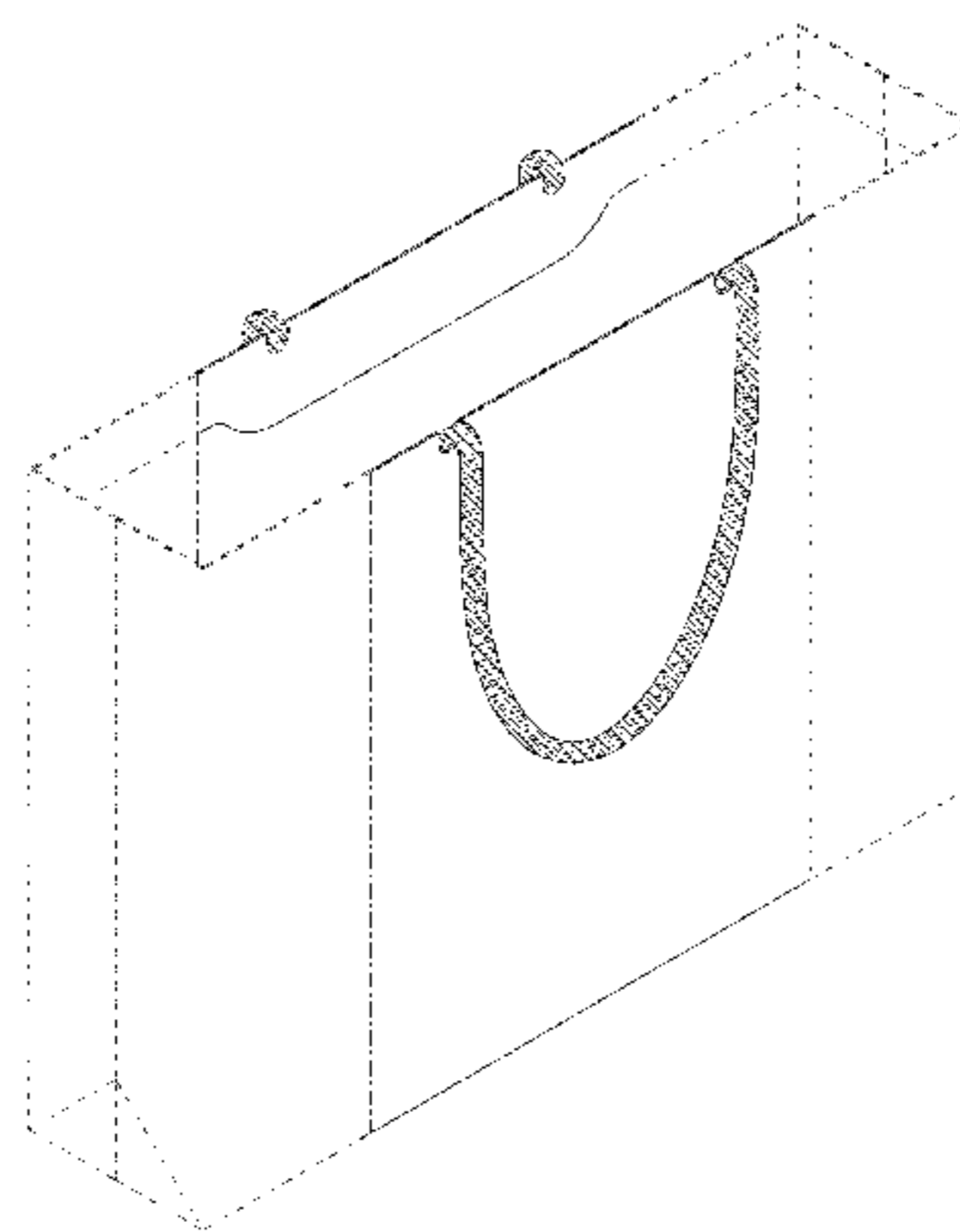
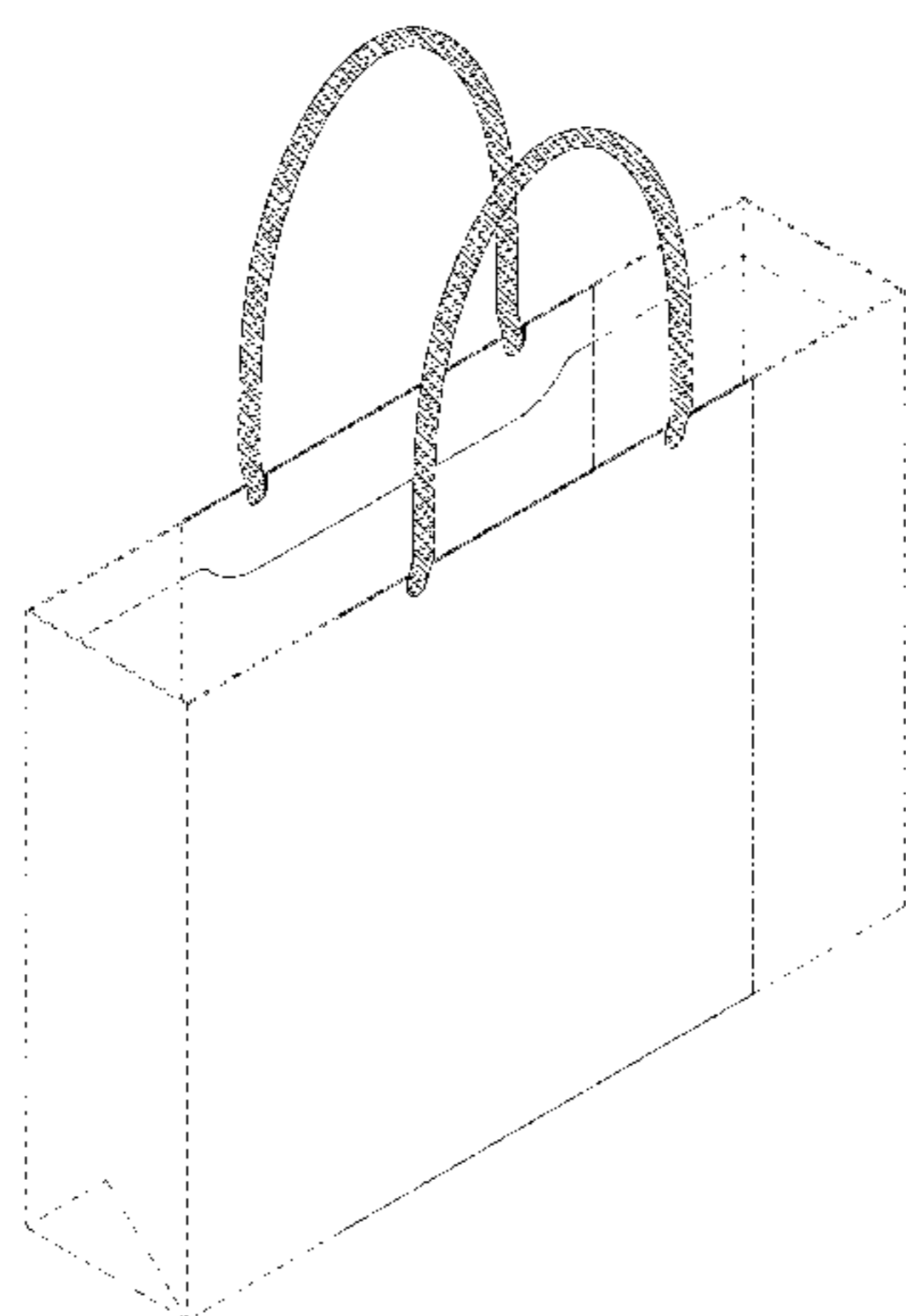
FIG. 9 is a reference perspective view showing the bag of FIG. 1 with handles in another state.

The figures are illustrated to show texture of the handles. In illustrating texture the areas shown cross-hatched have a textile appearance, such as, for example, a knitted or woven appearance.

The dashed broken lines in the figures show portions of the bag that form no part of the claimed design.

The dot-dash broken lines in the figures show boundaries that form no part of the claimed design.

1 Claim, 8 Drawing Sheets



US D764,939 S

Page 2

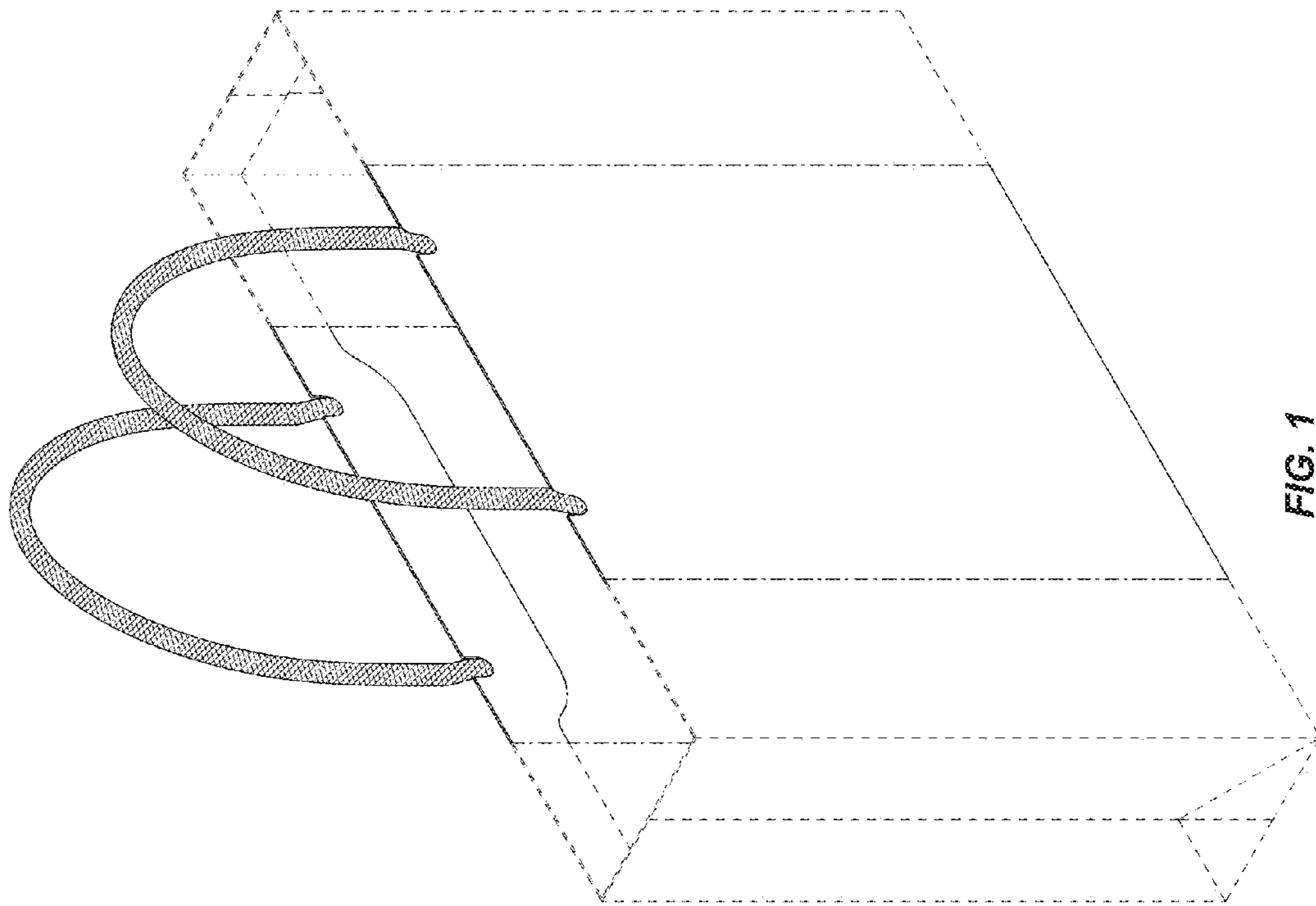
(56)

References Cited

U.S. PATENT DOCUMENTS

D490,301 S *	5/2004	Townsend	D9/704	D497,541 S *	10/2004	Clark	D9/703
D494,058 S *	8/2004	Clark	D9/703	D498,667 S *	11/2004	Clark	D9/703
D494,853 S *	8/2004	Chan	D9/704	D522,379 S *	6/2006	Clark	D9/703
					D548,107 S *	8/2007	Glass	D9/704
					D578,409 S *	10/2008	Clark	D9/703

* cited by examiner



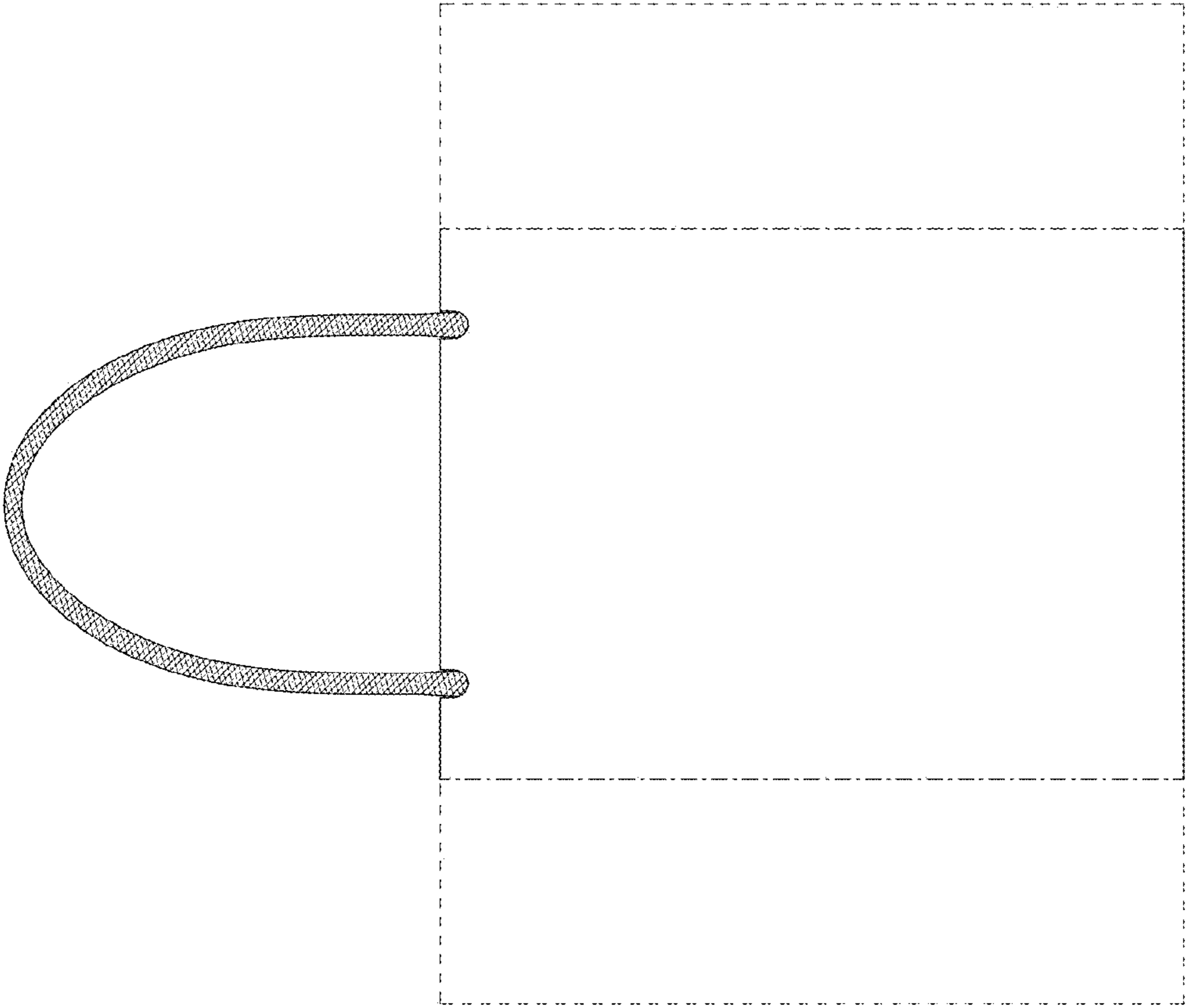


FIG. 2

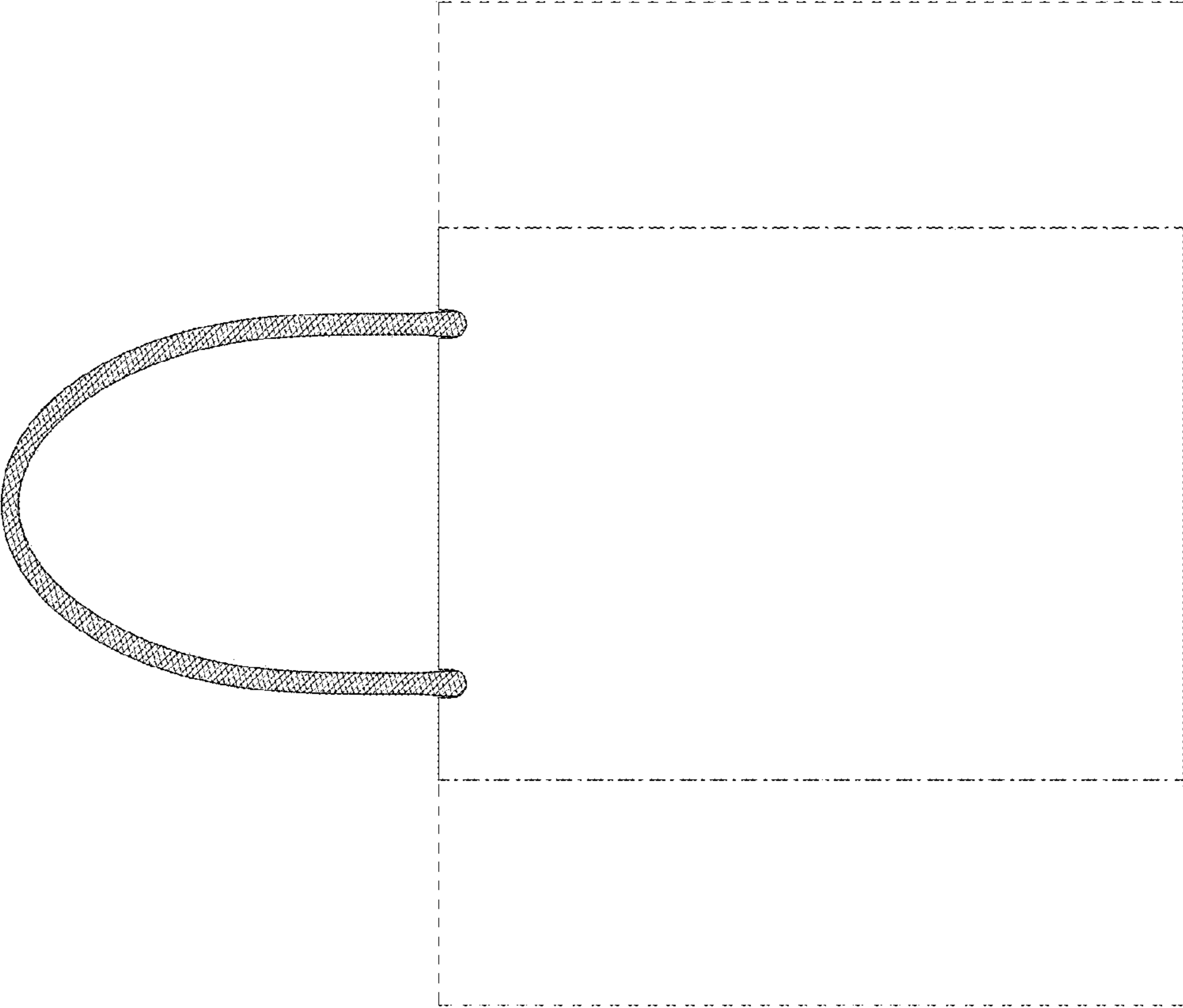


FIG. 3

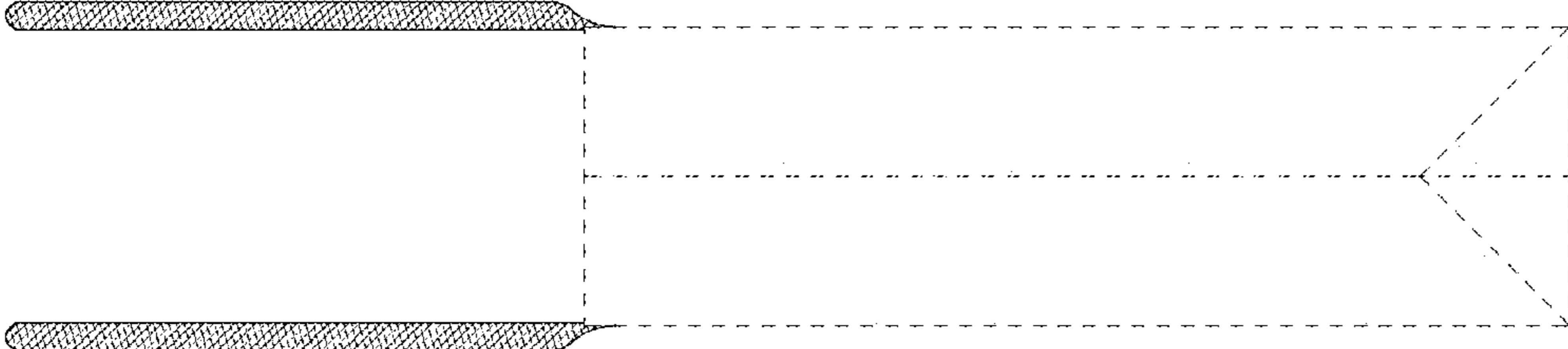


FIG. 4

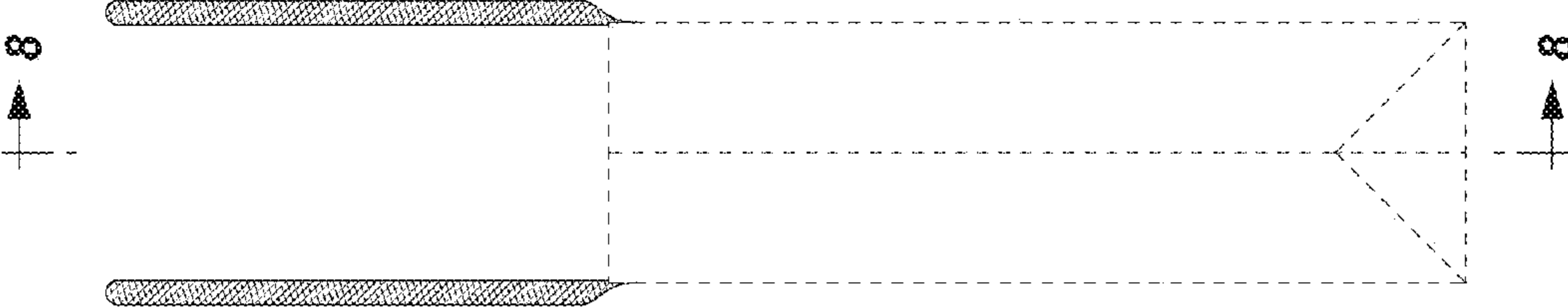


FIG. 5

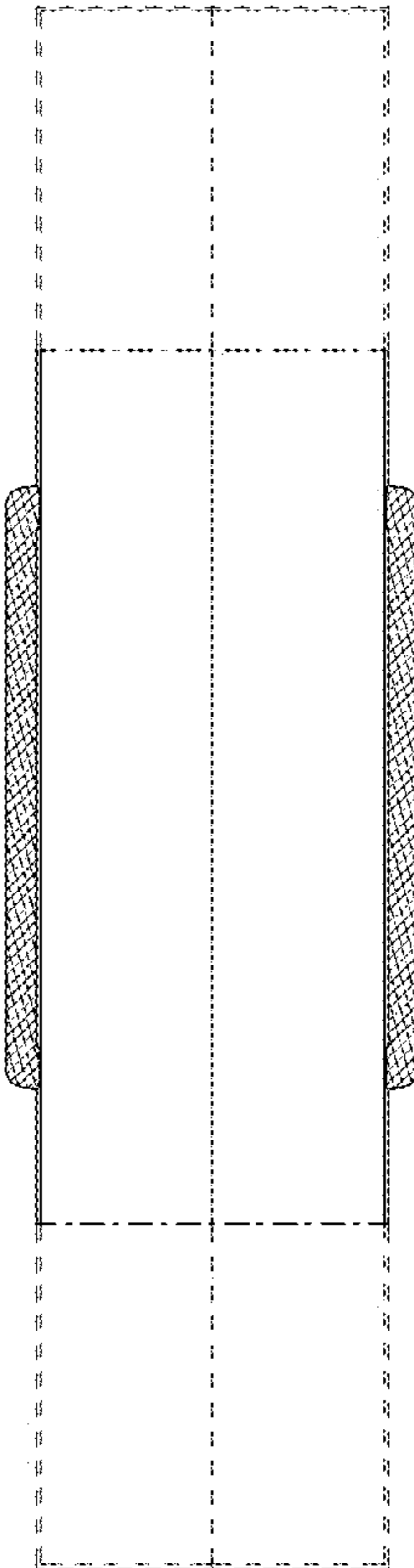


FIG. 6

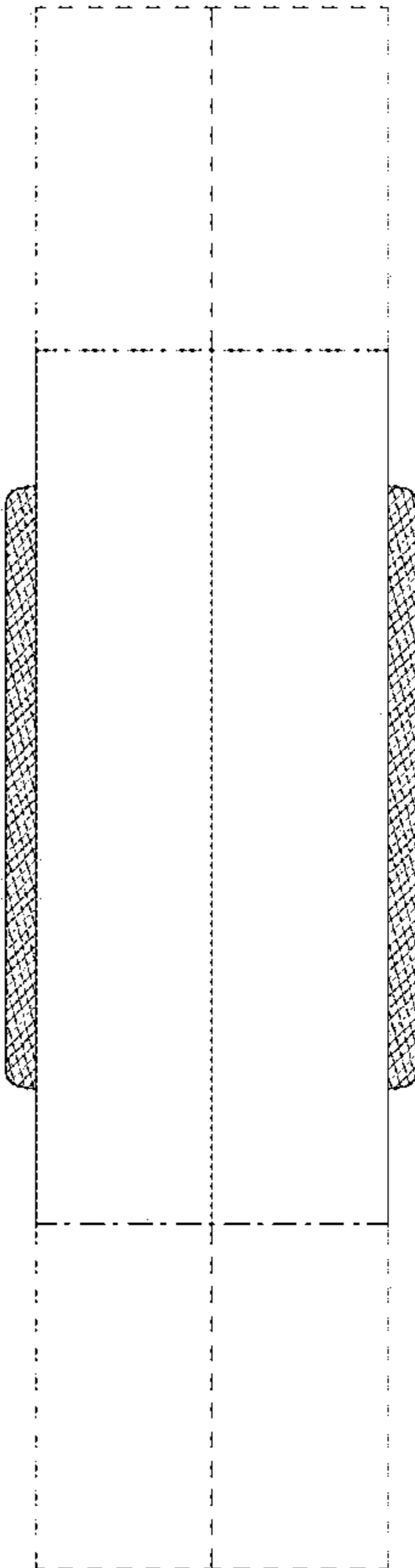


FIG. 7

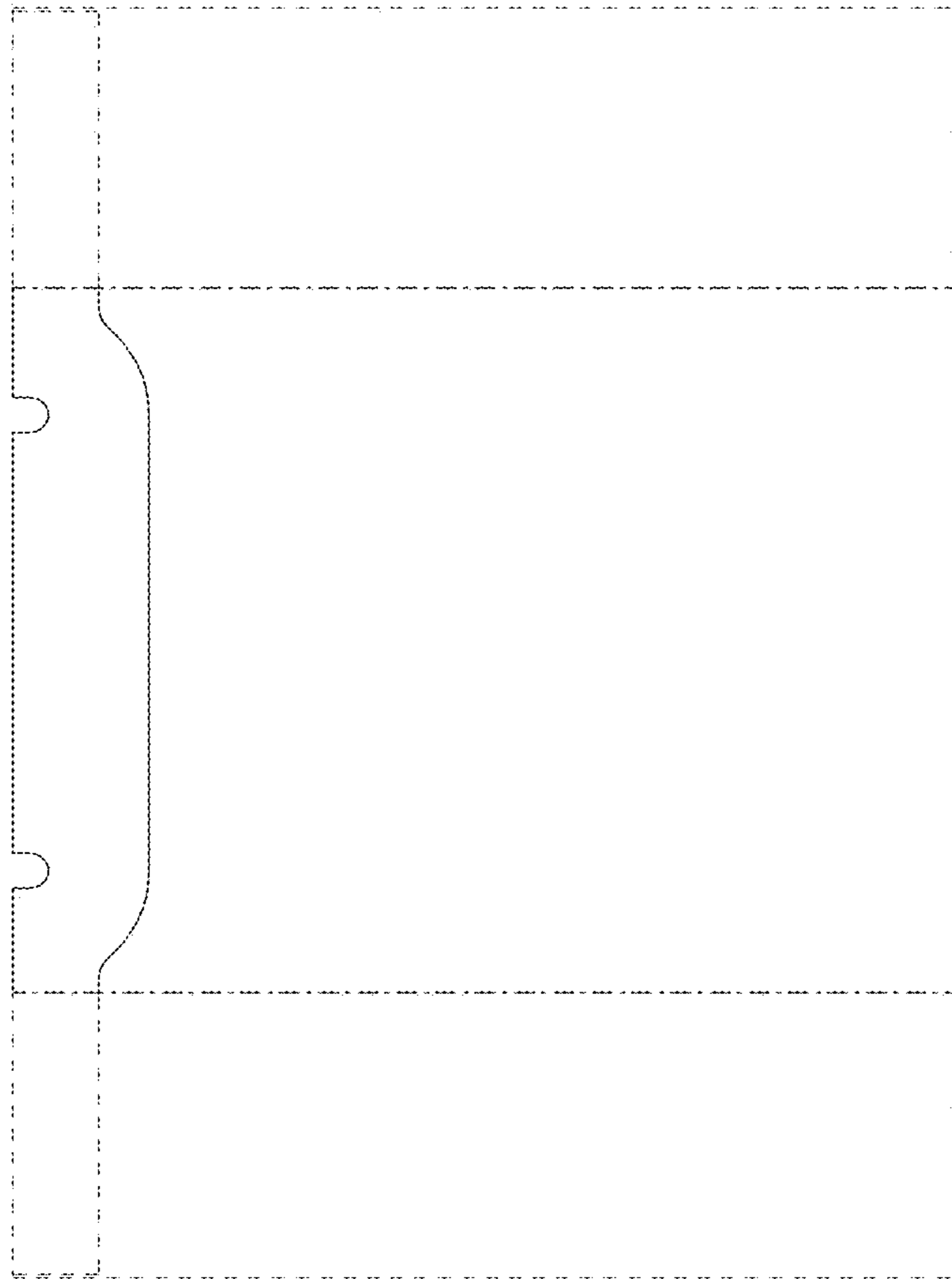


FIG. 8

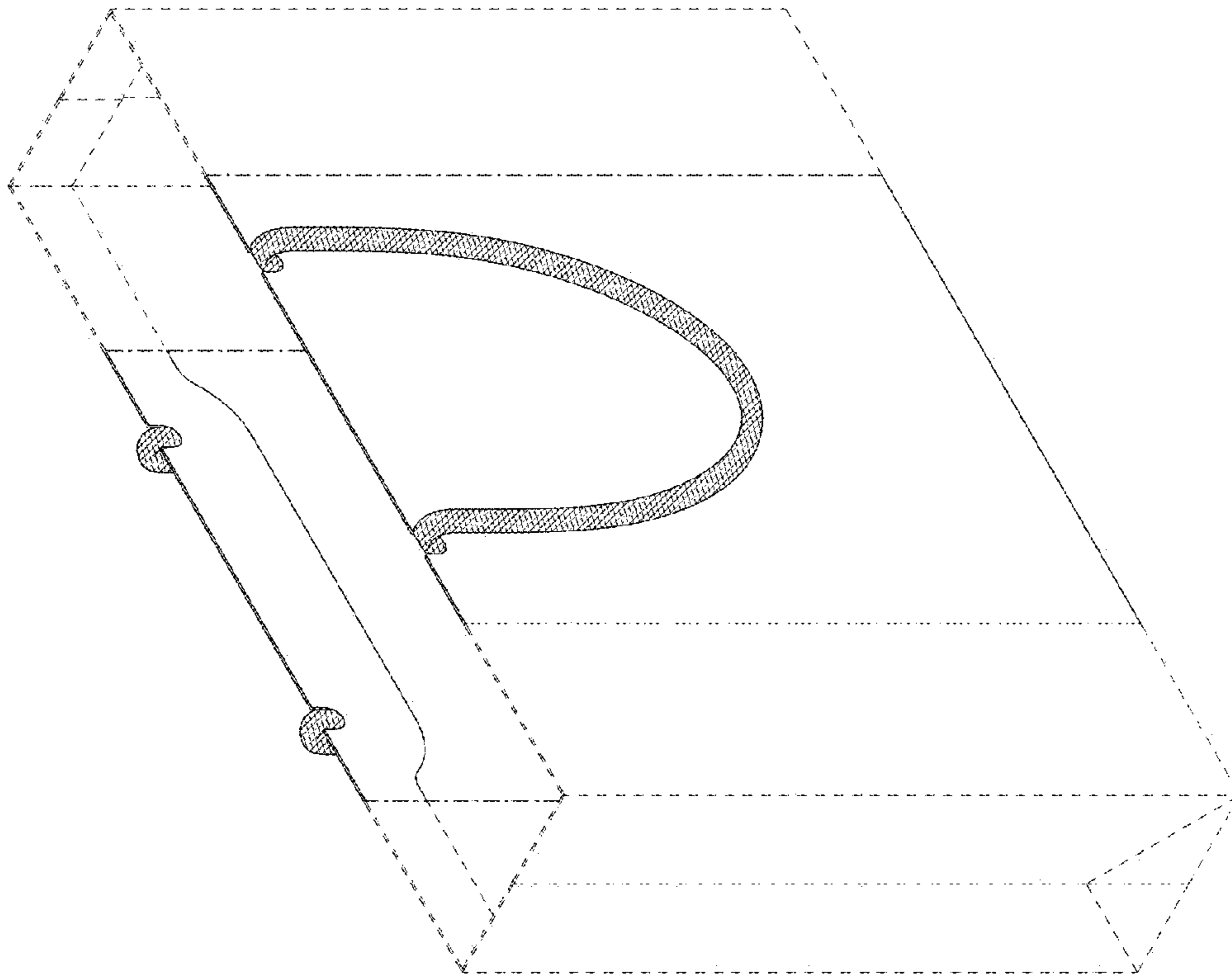


FIG. 9

UNITED STATES PATENT AND TRADEMARK OFFICE
CERTIFICATE OF CORRECTION

PATENT NO. : D764,939 S
APPLICATION NO. : 29/519818
DATED : August 30, 2016
INVENTOR(S) : Jody Akana

Page 1 of 1

It is certified that error appears in the above-identified patent and that said Letters Patent is hereby corrected as shown below:

On the Title Page

In the "Appl. No." item (21), the application number should read --29/519,818--.

Signed and Sealed this
Second Day of January, 2018



Joseph Matal

*Performing the Functions and Duties of the
Under Secretary of Commerce for Intellectual Property and
Director of the United States Patent and Trademark Office*