



US00D764929S

(12) **United States Design Patent**
Wagner

(10) **Patent No.:** **US D764,929 S**

(45) **Date of Patent:** **** Aug. 30, 2016**

(54) **TOOTH PASTE TUBE WITH FINGER BRUSH**

(56)

References Cited

(71) Applicant: **Eugene Carl Wagner**, Pacific Palisades, CA (US)

(72) Inventor: **Eugene Carl Wagner**, Pacific Palisades, CA (US)

(**) Term: **15 Years**

(21) Appl. No.: **29/505,244**

(22) Filed: **Aug. 10, 2015**

(51) **LOC (10) Cl.** **09-03**

(52) **U.S. Cl.**
USPC **D9/695**

(58) **Field of Classification Search**
USPC D9/695-699, 702-714, 521-522, 516, D9/723-729, 447, 442-443, 730, 686, D9/688-693, 435; 215/355, 380-381; 222/212, 92, 95-96, 107, 215, 207, 222/394; 220/DIG. 7; D4/103, 114; D24/113, 115, 117, 146, 147, 152; 206/229; D29/113, 114; 15/104.94; D3/29; 221/208, 278; 433/141, 142, 433/216

CPC B65D 1/00; B65D 1/02; B65D 1/023; B65D 1/0246; B65D 1/09; B65D 1/095; B65D 1/32; B65D 1/323; B65D 35/00; B65D 35/02; B65D 35/08; B65D 35/28; A46B 5/04; A65B 2200/001; A65B 2200/10; A65B 2200/1026; A65B 2200/1066

See application file for complete search history.

U.S. PATENT DOCUMENTS

2,077,540	A *	4/1937	Welker	A46B 5/04 15/184
D262,942	S *	2/1982	DiPisa, Sr.	D24/115
D313,317	S *	1/1991	Brunner	D4/103
D498,666	S *	11/2004	Mitchell	D24/115
D595,508	S *	7/2009	Wagner	D4/103
D605,406	S *	12/2009	Wagner	D4/103
D605,407	S *	12/2009	Wagner	D4/103
D637,763	S *	5/2011	Hernandez	D29/114
D658,504	S *	5/2012	McCoy	D9/697
D675,534	S *	2/2013	Weiler	D9/435
D738,626	S *	9/2015	Wagner	D4/103

* cited by examiner

Primary Examiner — Abraham Bahta

(57) **CLAIM**

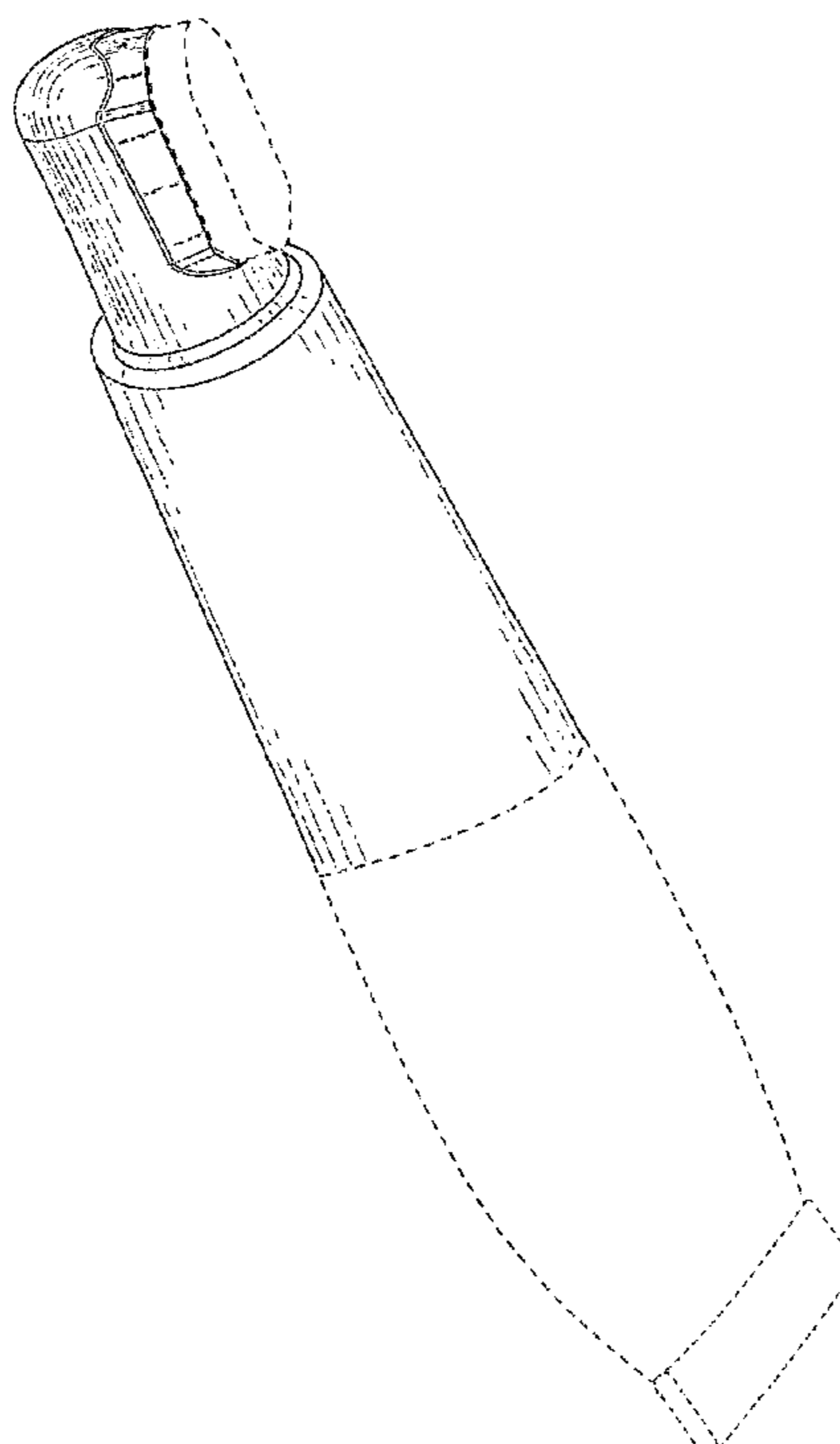
The ornamental design for a toothpaste tube with finger brush, as shown and described.

DESCRIPTION

FIG. 1 is a top and left side perspective view of the toothpaste tube with finger brush showing my new design; FIG. 2 is a left side view thereof; FIG. 3 is a top view thereof; FIG. 4 is rear view thereof; and, FIG. 5 is a front view thereof.

The broken line showing of portion of the claimed design is included for the purpose of illustrating environmental structure and forms no part of the claimed design.

1 Claim, 3 Drawing Sheets



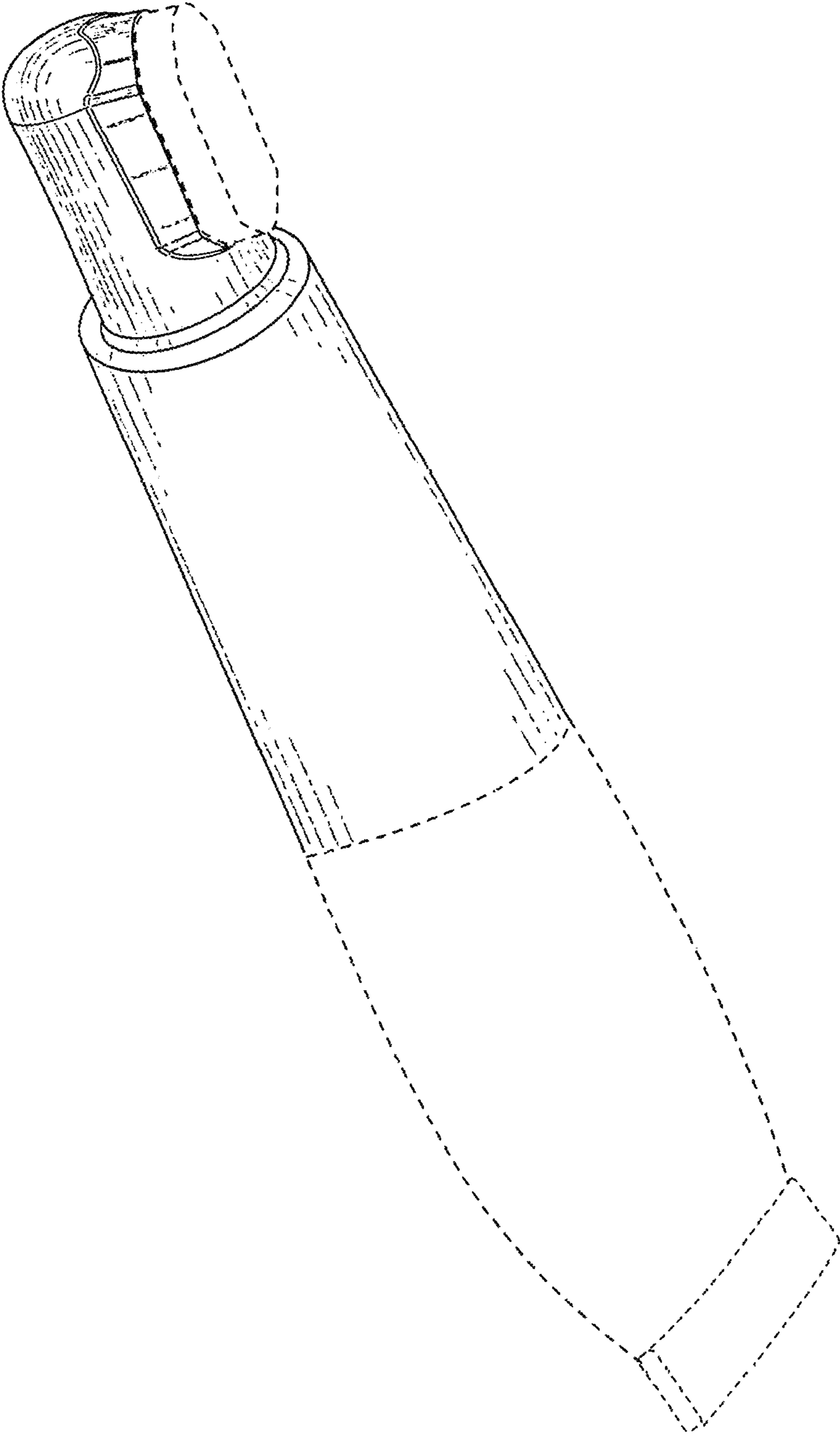


FIG. 1

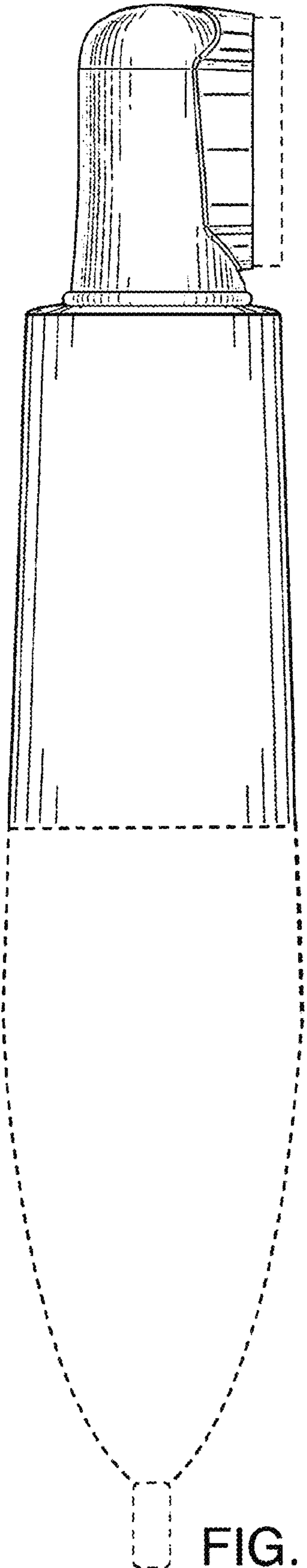


FIG. 2

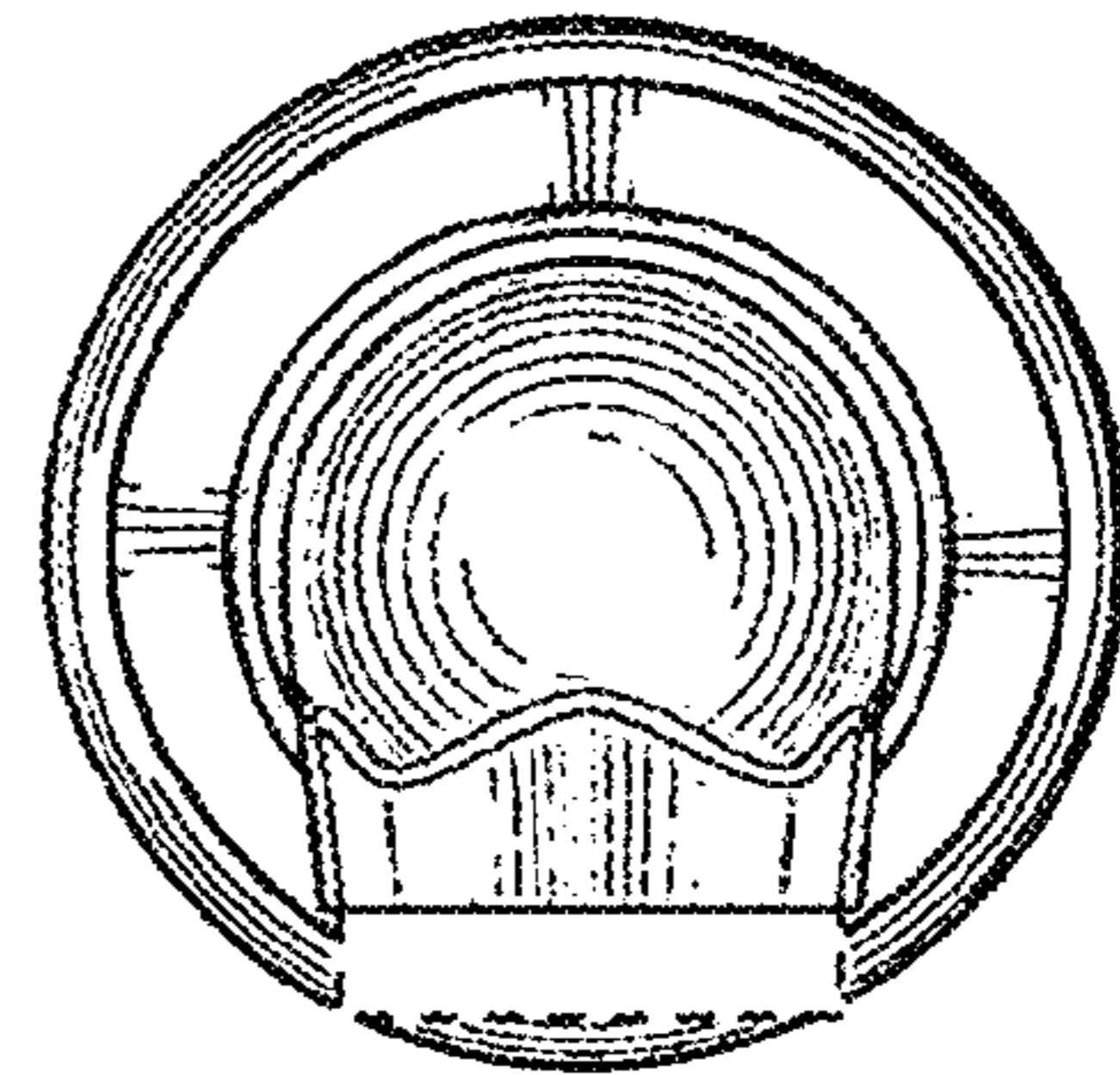


FIG. 3

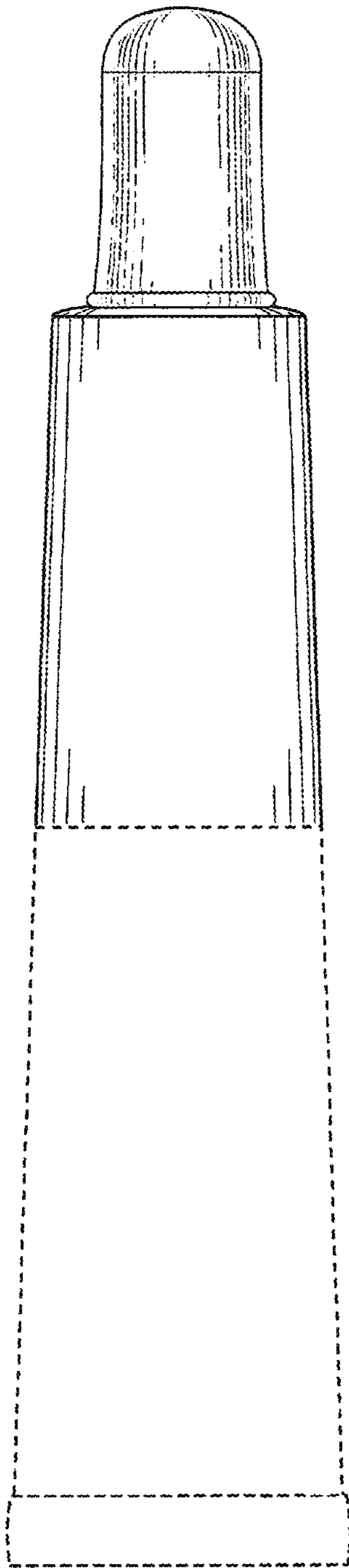


FIG. 4

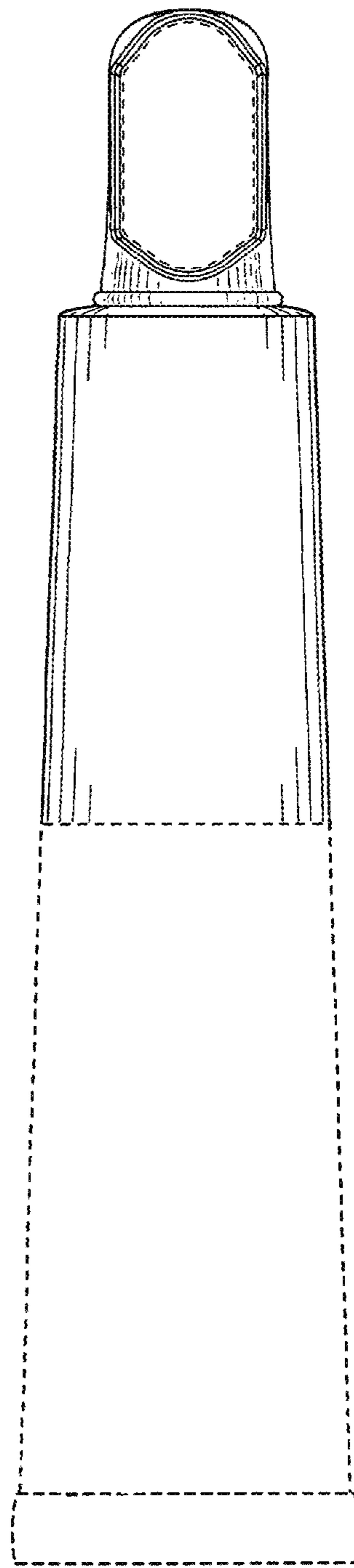


FIG. 5