



US00D764928S

(12) **United States Design Patent** (10) **Patent No.:** **US D764,928 S**
Staab (45) **Date of Patent:** **** Aug. 30, 2016**

(54) **BOTTLE**

(71) Applicant: **Mary Kay Inc.**, Addison, TX (US)
(72) Inventor: **Jenny DeMarco Staab**, Frisco, TX (US)

(73) Assignee: **Mary Kay Inc.**, Addison, TX (US)

(**) Term: **15 Years**

(21) Appl. No.: **29/529,917**

(22) Filed: **Jun. 11, 2015**

Related U.S. Application Data

(62) Division of application No. 29/458,338, filed on Jun. 18, 2013, now Pat. No. Des. 732,394.

(51) **LOC (10) Cl.** **09-01**

(52) **U.S. Cl.**
USPC **D9/694**

(58) **Field of Classification Search**
USPC D9/682-694, 715, 719, 723-729,
D9/516-522, 529-575, 600-681, 435, 436,
D9/448; D28/76, 77, 91.1
CPC B65D 1/00; B65D 1/02; B65D 1/0223;
B65D 1/0246; B65D 1/0261; B65D 1/0276;
B65D 1/40; B65D 13/02; B65D 83/14;
B65D 83/20; B65D 83/38; B65D 83/384;
B65D 2501/0009; B65D 2501/0081; B05B
11/0037; B05B 11/0054; B05B 11/3001;
B05B 11/3052; B05B 11/3053

See application file for complete search history.

(56) **References Cited**

U.S. PATENT DOCUMENTS

D258,868 S 4/1981 Soderberg 9/529
D263,560 S 3/1982 Leonard 9/529

(Continued)

FOREIGN PATENT DOCUMENTS

JP D1387508 5/2010
TW 490178 6/2002
TW D112690 8/2006

OTHER PUBLICATIONS

Search Report issued in Taiwanese Patent Application No. 102308207, dated Aug. 1, 2014.

Primary Examiner — Catherine Tuttle

(74) *Attorney, Agent, or Firm* — Norton Rose Fulbright US LLP

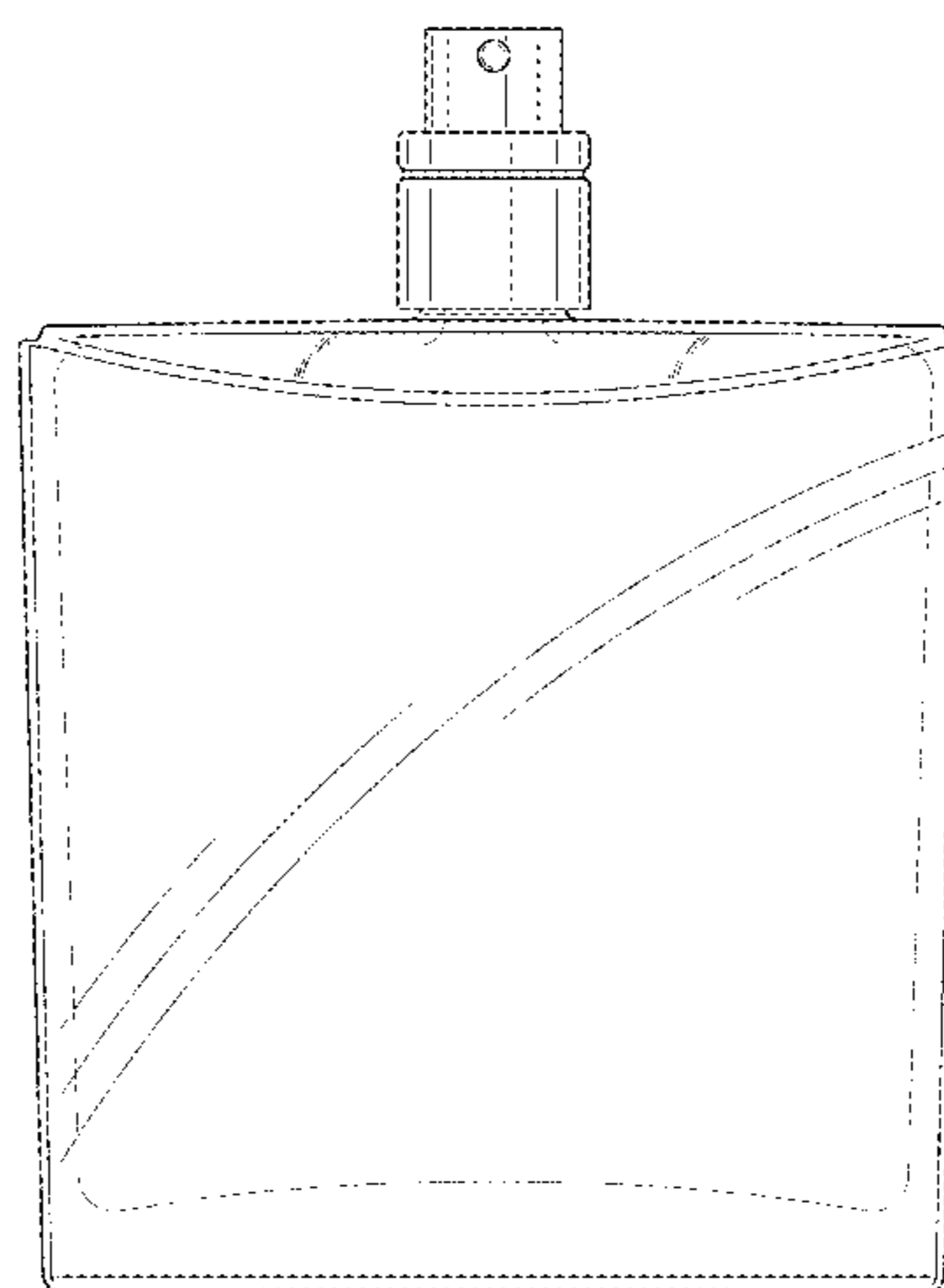
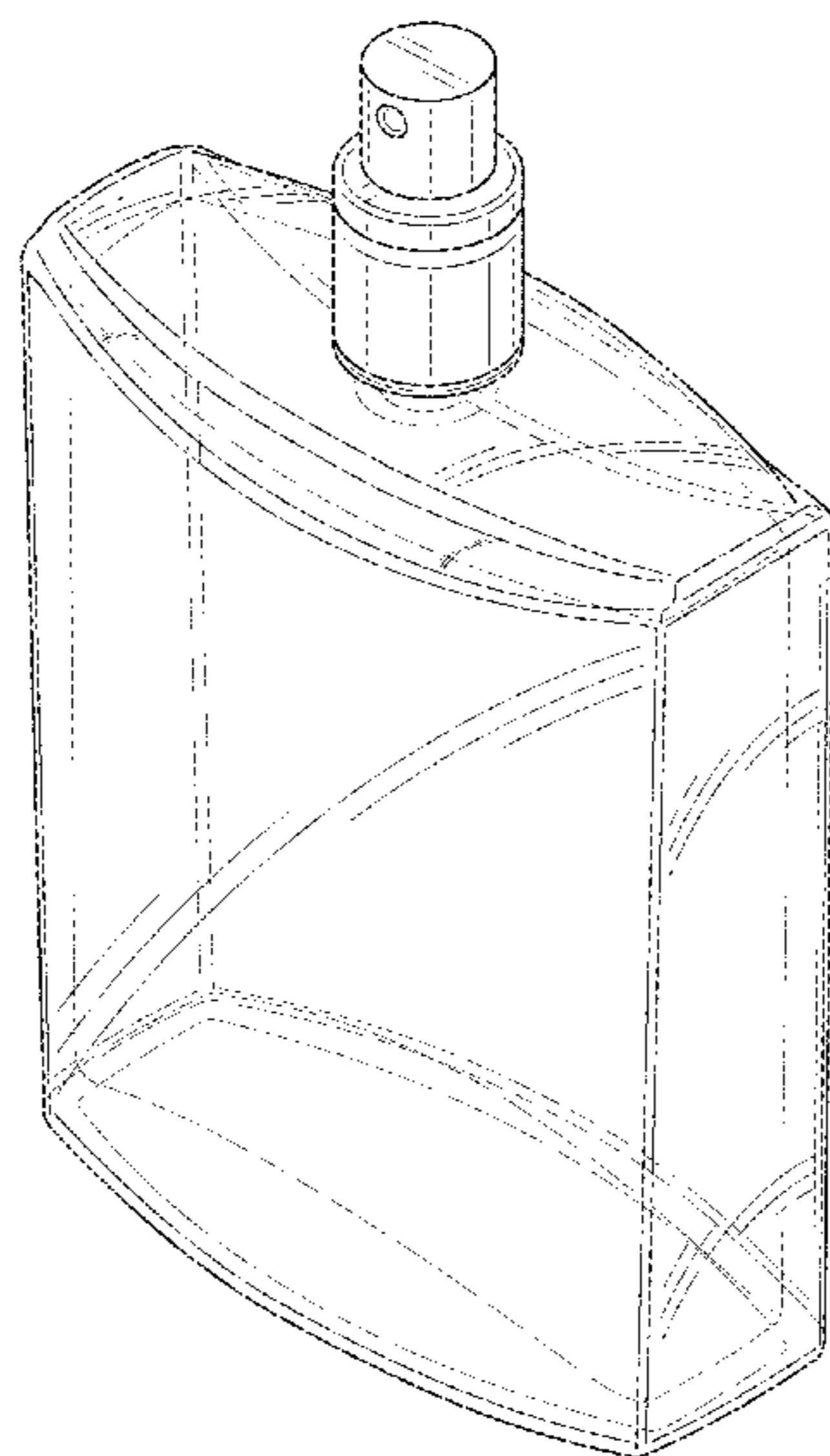
(57) **CLAIM**

The ornamental design for a bottle, as shown and described.

DESCRIPTION

FIG. 1 is a perspective view of a first embodiment of a bottle, which includes a transparent base and a spray actuator; FIG. 2 is a front view of the bottle shown in FIG. 1; FIG. 3 is a back view of the bottle shown in FIG. 1; FIG. 4 is a right side view of the bottle shown in FIG. 1; FIG. 5 is a left side view of the bottle shown in FIG. 1; FIG. 6 is a top view of the bottle shown in FIG. 1; FIG. 7 is a bottom view of the bottle shown in FIG. 1; FIG. 8 is a perspective view of a second embodiment of a bottle, which includes an opaque base and a spray actuator; FIG. 9 is a front view of the bottle shown in FIG. 8; FIG. 10 is a back view of the bottle shown in FIG. 8; FIG. 11 is a right side view of the bottle shown in FIG. 8; FIG. 12 is a left side view of the bottle shown in FIG. 8; FIG. 13 is a top view of the bottle shown in FIG. 8; and, FIG. 14 is a bottom view of the bottle shown in FIG. 8. All other surfaces or portions of the bottle in FIGS. 1-14 not shown in the figures or otherwise described in the specification form no part of the claimed design.

1 Claim, 12 Drawing Sheets



(56)

References Cited

U.S. PATENT DOCUMENTS

D272,991 S	3/1984	Thompson	9/529	D471,820 S	3/2003	Faillant-Dumas	9/529
D285,174 S	8/1986	Teschner	9/520	D480,003 S	9/2003	Blades	9/529
D294,183 S	2/1988	Hiesse	28/7	D481,952 S	11/2003	Orsomando	9/529
D299,429 S	1/1989	Dinand	9/566	D484,806 S	1/2004	Cummings	9/529
D301,837 S	6/1989	Peterson et al.	9/529	D485,495 S	1/2004	Cummings	9/529
D302,659 S	8/1989	Peterson et al.	9/529	D495,957 S	9/2004	Bakic	9/529
D303,758 S	10/1989	Nitta	9/687	D498,415 S	11/2004	Schuller et al.	9/686
D304,549 S	11/1989	Desgrippes	9/529	D511,688 S	11/2005	Baron	9/560
D305,300 S	1/1990	Kraft	9/529	D525,873 S	8/2006	Haubert et al.	9/529
D309,860 S	8/1990	Fossati	9/687	D531,049 S	10/2006	De France	9/686
D310,171 S	8/1990	Cusenza	9/529	D535,890 S	1/2007	Herrmann	9/571
D310,483 S	9/1990	De Giovellina	9/529	D536,257 S	* 2/2007	Weber	D9/558
D318,794 S	* 8/1991	Litton	D9/452	D536,259 S	2/2007	Herrmann	9/573
D323,293 S	1/1992	Gutkowski	9/529	D538,669 S	3/2007	Martinez	9/529
D325,347 S	* 4/1992	Doering	D9/558	D541,161 S	4/2007	Ames	9/529
D325,523 S	4/1992	Restrepo	9/529	D541,164 S	4/2007	Yamasaki et al.	9/529
D328,029 S	7/1992	Grip	9/544	D541,664 S	* 5/2007	Galdini	D9/574
D328,569 S	8/1992	Spelling	9/562	D542,144 S	5/2007	Herrmann	9/560
D333,270 S	2/1993	Albright et al.	9/566	D544,362 S	* 6/2007	Rica	D9/544
D334,143 S	3/1993	Rothfos	9/529	D546,192 S	7/2007	Faillant Dumas	9/571
D341,315 S	11/1993	Seymour	9/529	D551,982 S	10/2007	Forman	9/529
D342,677 S	12/1993	Cazaudehore	9/529	D558,050 S	12/2007	Urcun	9/529
D343,123 S	1/1994	De Morques	9/529	D562,151 S	2/2008	Larocca et al.	9/723
D346,743 S	5/1994	Cazaudehore	9/529	D574,248 S	8/2008	Baraky et al.	9/529
D347,389 S	5/1994	Crawford	9/529	D576,052 S	9/2008	Lloyd et al.	9/694
D348,217 S	6/1994	Le Prince	9/687	D577,591 S	9/2008	Bouroullec et al.	9/529
D348,613 S	7/1994	Gonda et al.	9/571	D581,797 S	12/2008	Calvo	9/523
D351,105 S	10/1994	Grip	9/529	D585,754 S	2/2009	McGregor et al.	9/559
D352,657 S	* 11/1994	Gonda	D9/694	D587,596 S	3/2009	Lloyd	9/694
D353,332 S	12/1994	Behm et al.	9/529	D593,420 S	6/2009	Augenbraun et al.	9/687
D357,186 S	4/1995	Dimand	9/529	D597,410 S	8/2009	Carmody et al.	9/529
D367,230 S	2/1996	Paglina	9/529	D601,432 S	10/2009	Lee	9/694
D367,605 S	3/1996	Moore	9/686	D607,334 S	1/2010	Domoy et al.	9/529
D367,608 S	3/1996	Stranders	9/529	D609,574 S	2/2010	Holmes et al.	9/542
D369,097 S	4/1996	Dinand	9/686	D610,014 S	2/2010	Wolf	9/529
D375,455 S	11/1996	Uhl et al.	9/687	D643,742 S	* 8/2011	Weng	D9/682
D377,147 S	1/1997	Baron	9/529	D646,581 S	10/2011	Baron	9/573
D381,275 S	7/1997	Lecoule	9/572	D656,827 S	4/2012	Mandell et al.	9/516
D382,206 S	8/1997	Worthington et al.	9/529	D656,830 S	4/2012	Rodrigeuz	9/520
D386,673 S	11/1997	Thompson	9/668	D656,838 S	4/2012	Mouquet	9/652
D394,368 S	5/1998	Mekler	7/605	D670,570 S	11/2012	Matsushita	9/651
D398,241 S	9/1998	Krebs	9/529	D671,008 S	* 11/2012	Monteparo	D9/560
D408,293 S	4/1999	Bakic	9/558	D677,573 S	3/2013	Papiernik	9/529
D426,466 S	6/2000	Nevins et al.	9/529	D678,776 S	3/2013	Lecetre et al.	9/573
D430,035 S	8/2000	Heeter et al.	9/529	D694,210 S	11/2013	Fujii et al.	14/126
D457,426 S	5/2002	Montana	9/420	D702,560 S	* 4/2014	Demarco	D9/694
D458,848 S	6/2002	Tompkins	9/529	D723,929 S	3/2015	Blachford et al.	9/529
D459,209 S	6/2002	Yamamoto	9/687	2004/0140325 A1	7/2004	Flaig et al.	222/182
				2008/0023575 A1	1/2008	Trumble et al.	222/135
				2010/0108779 A1	5/2010	Filsouf	239/61

* cited by examiner

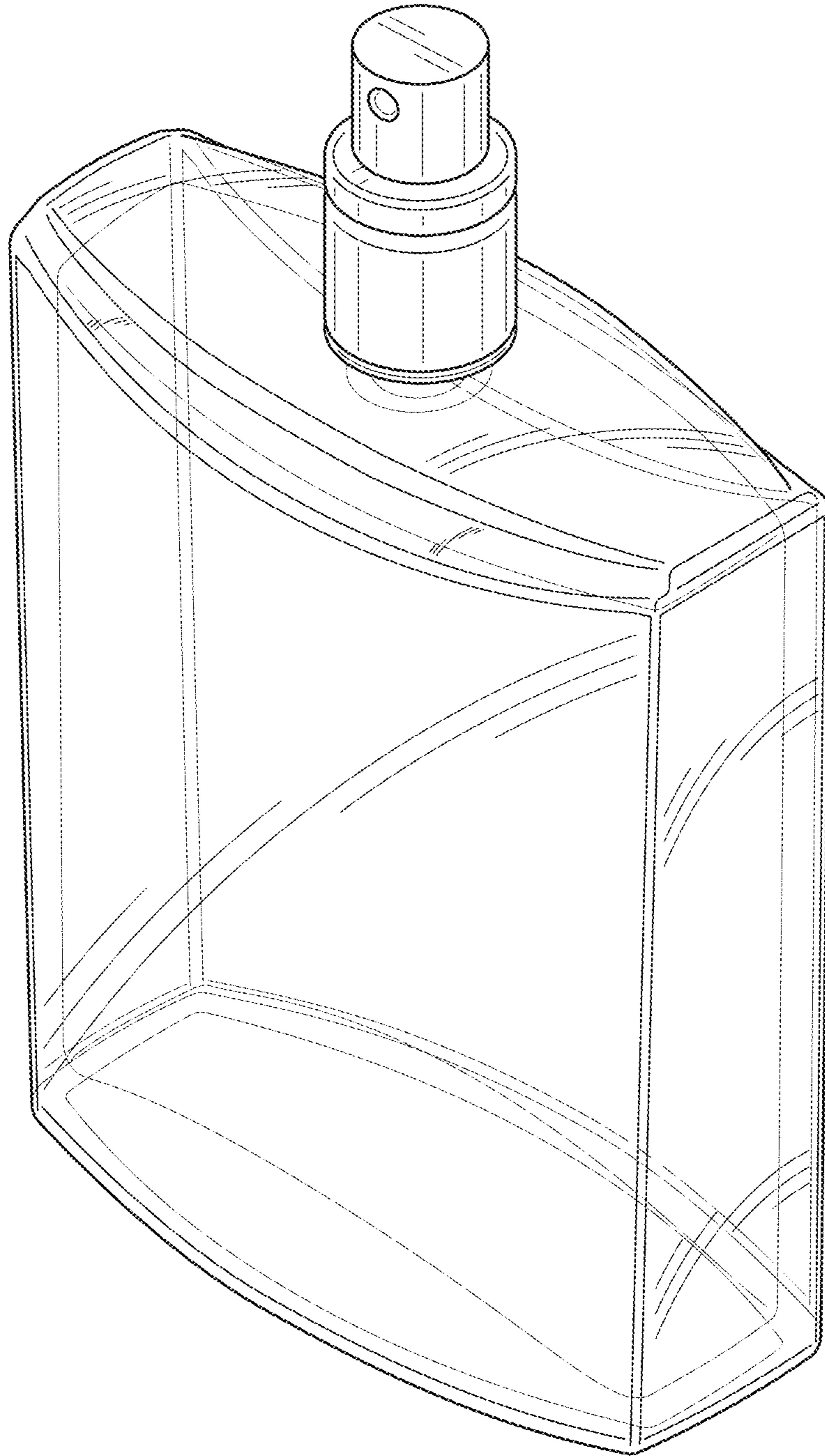


FIG. 1

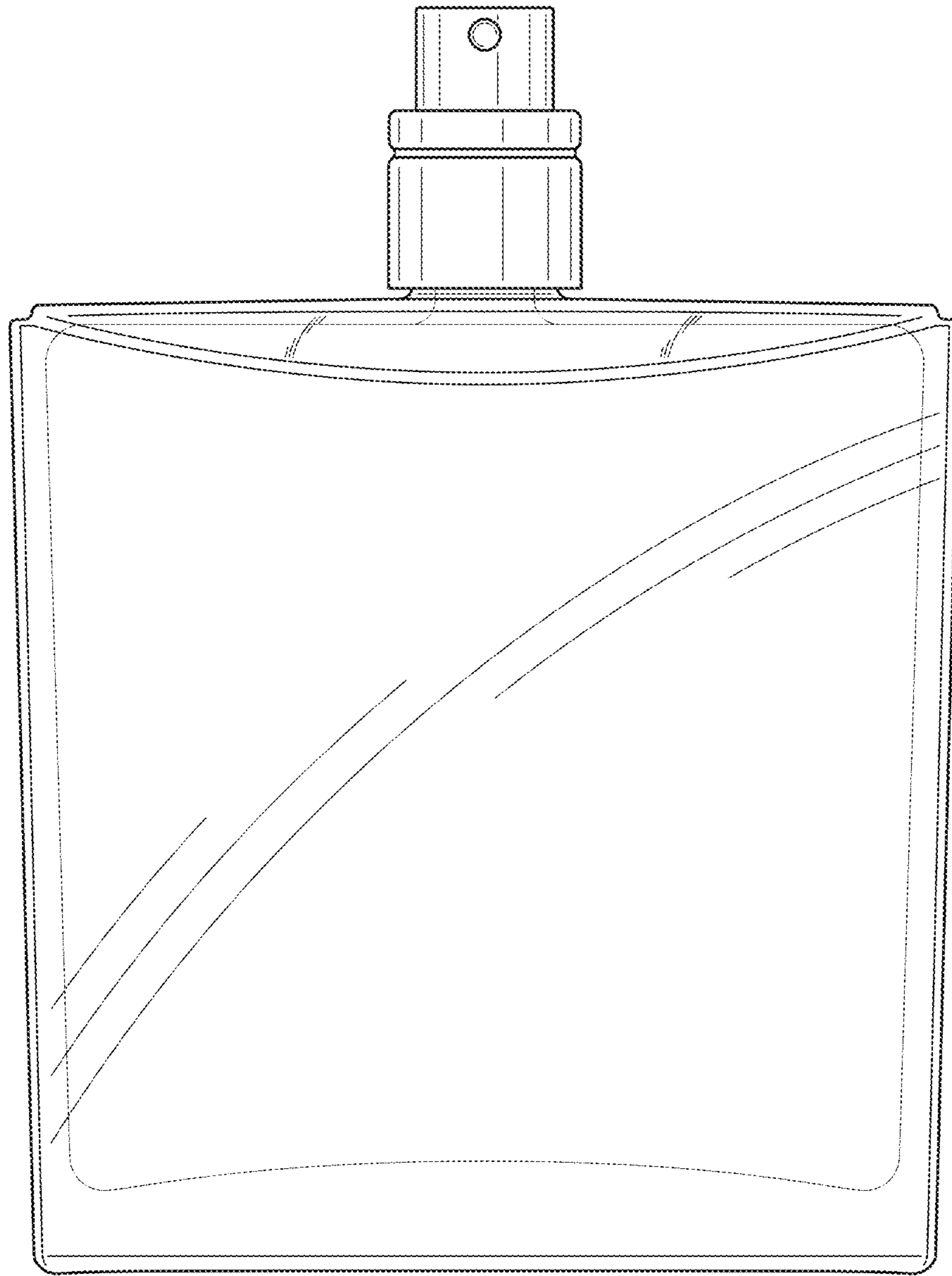


FIG. 2

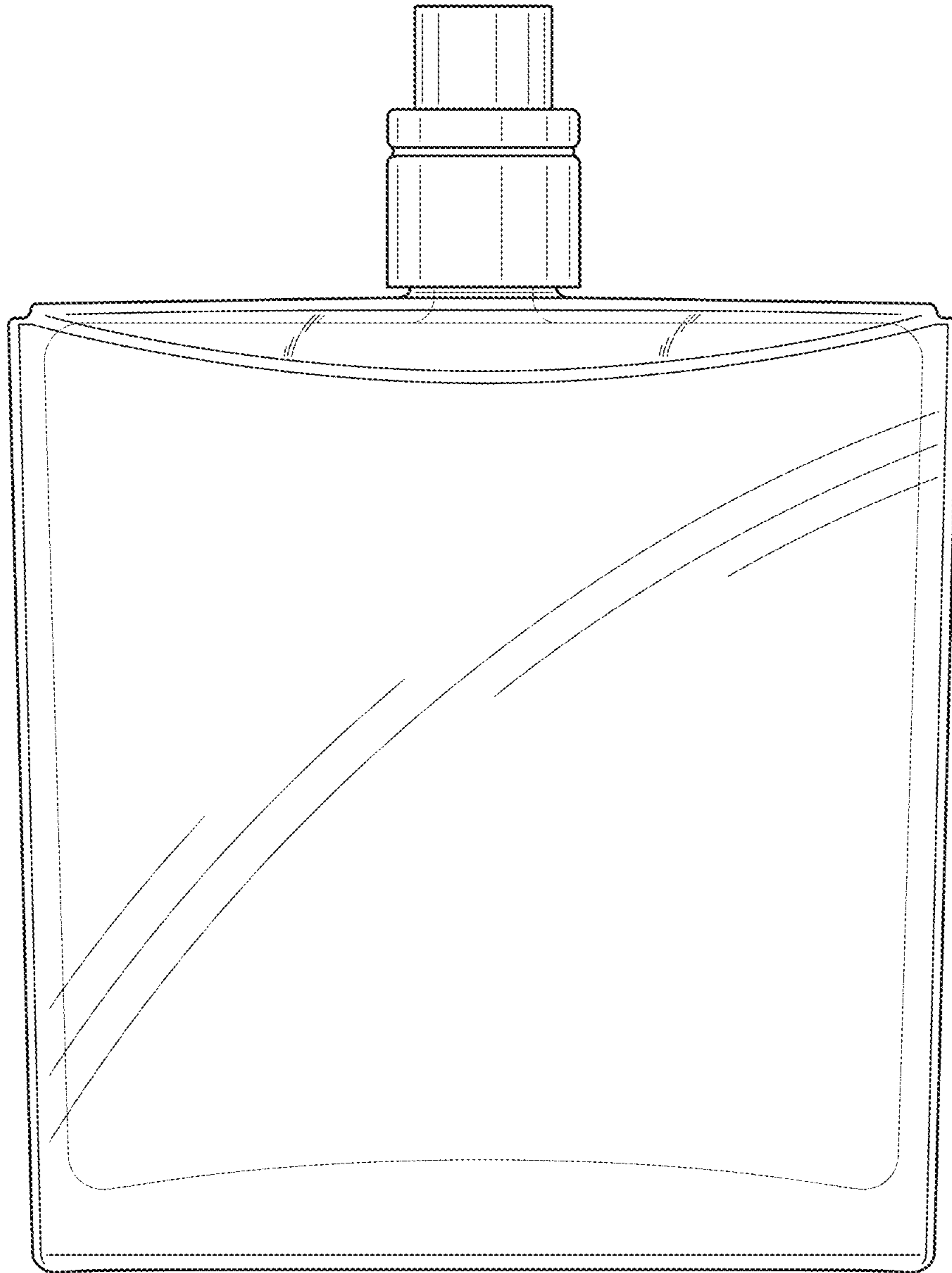


FIG. 3

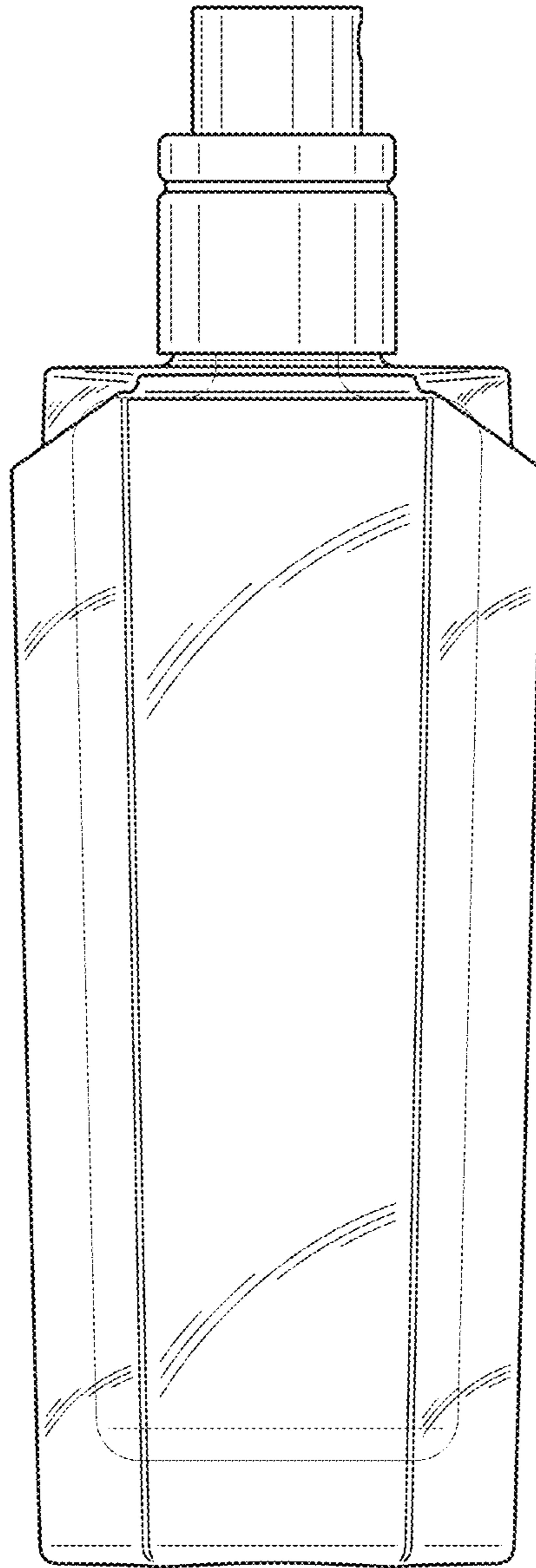


FIG. 4

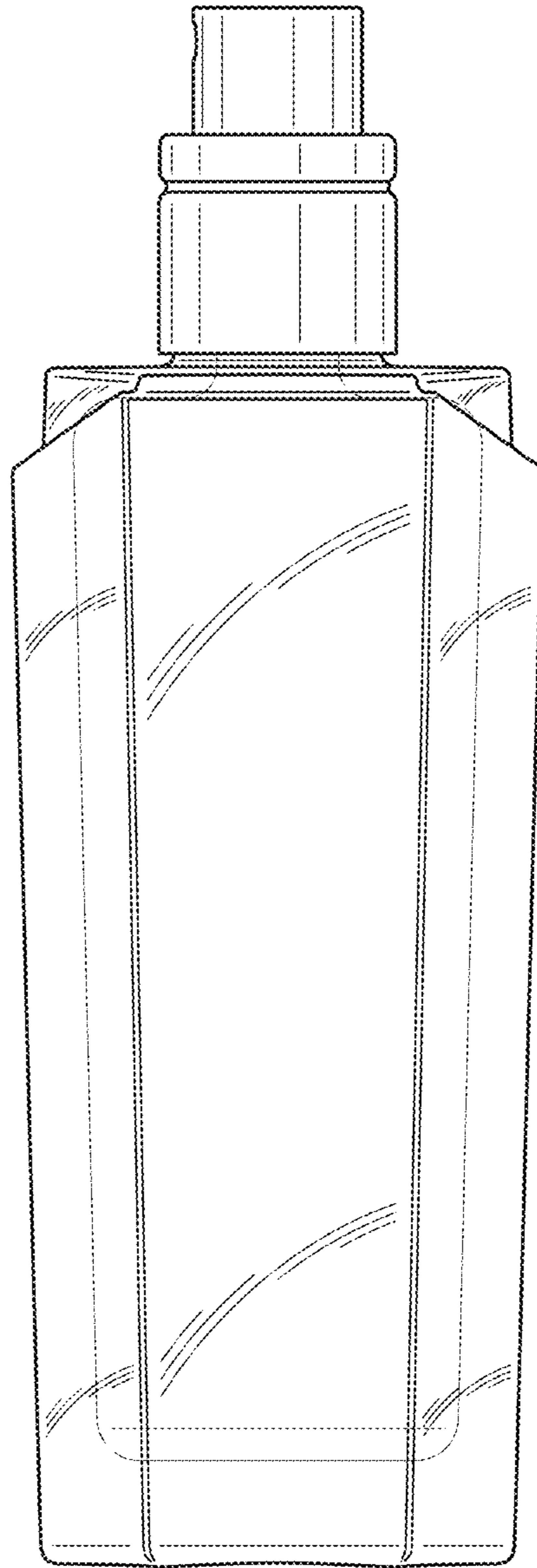


FIG. 5

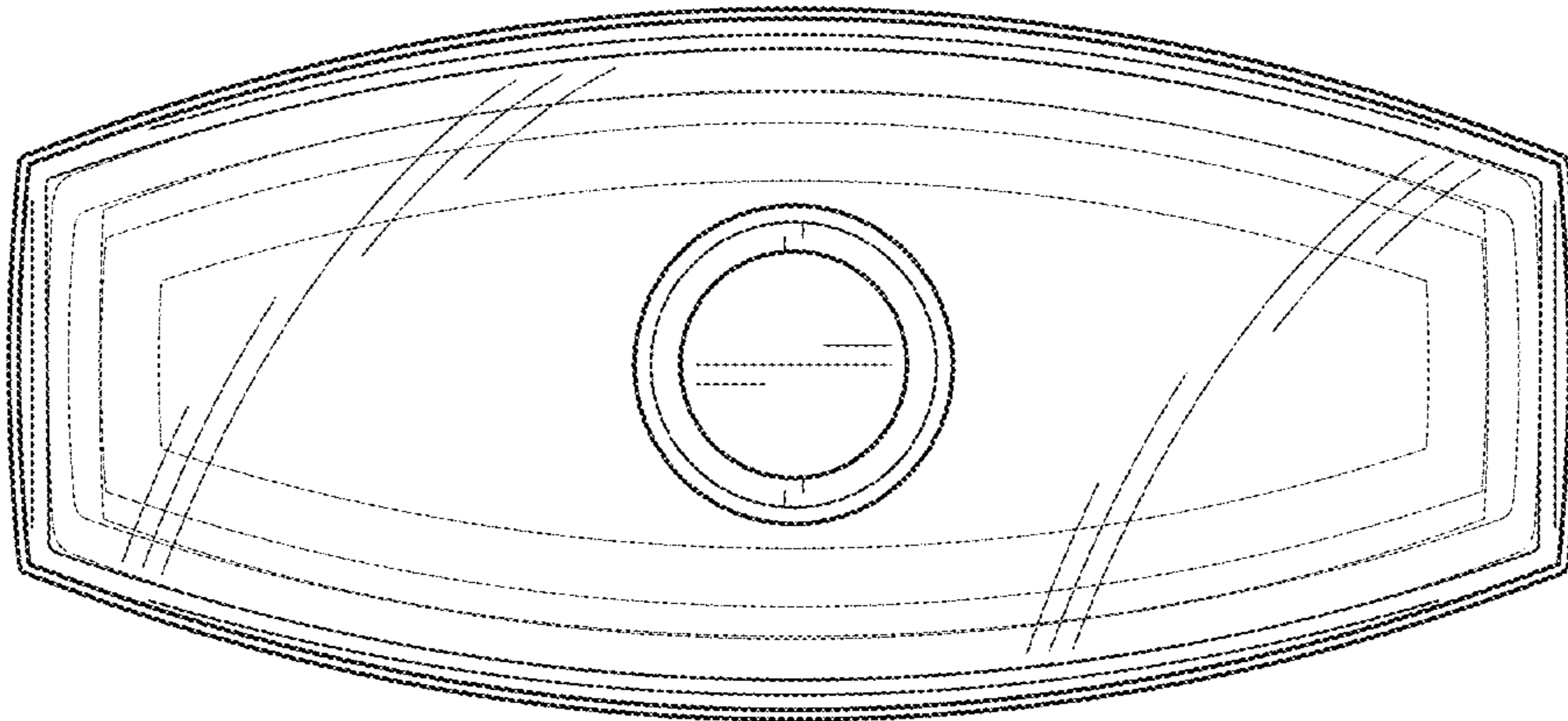


FIG. 6

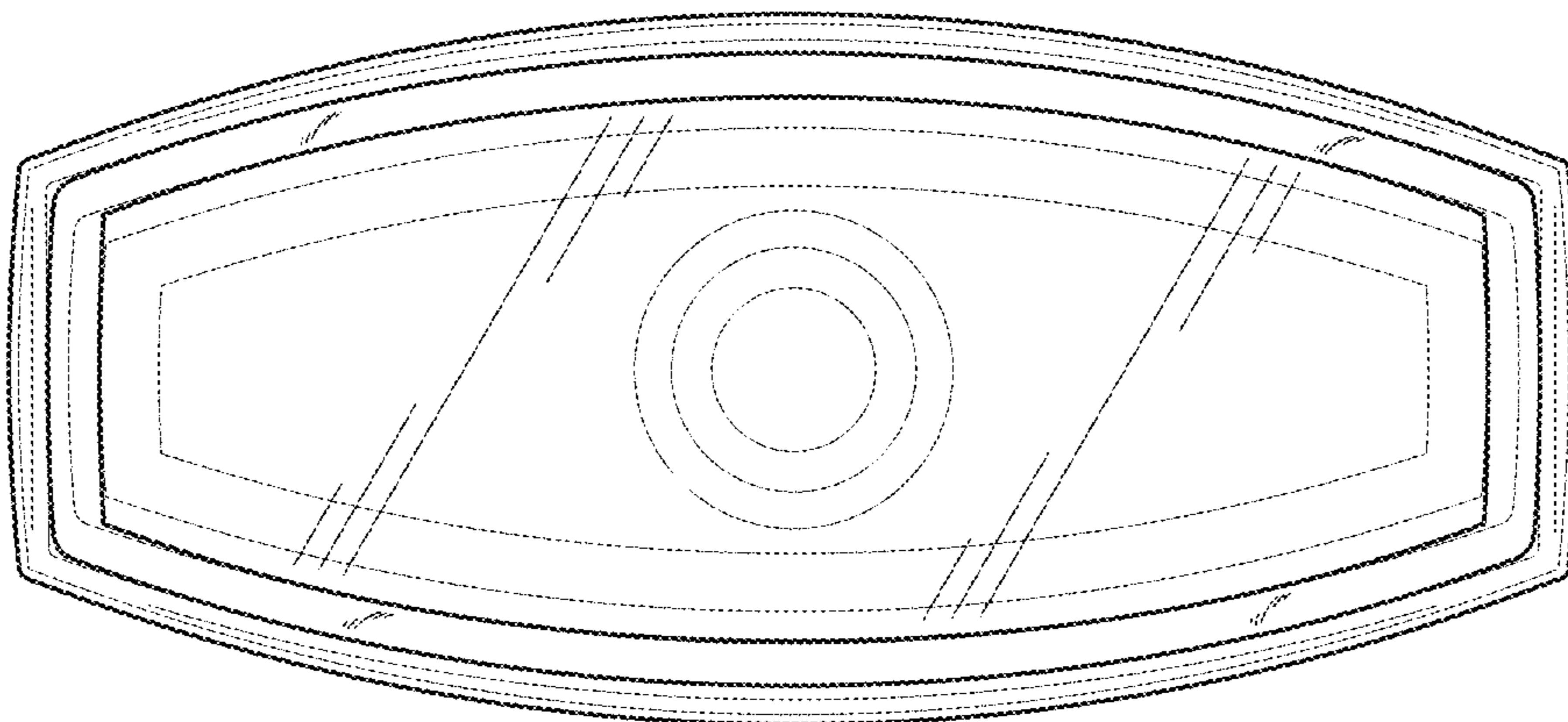


FIG. 7

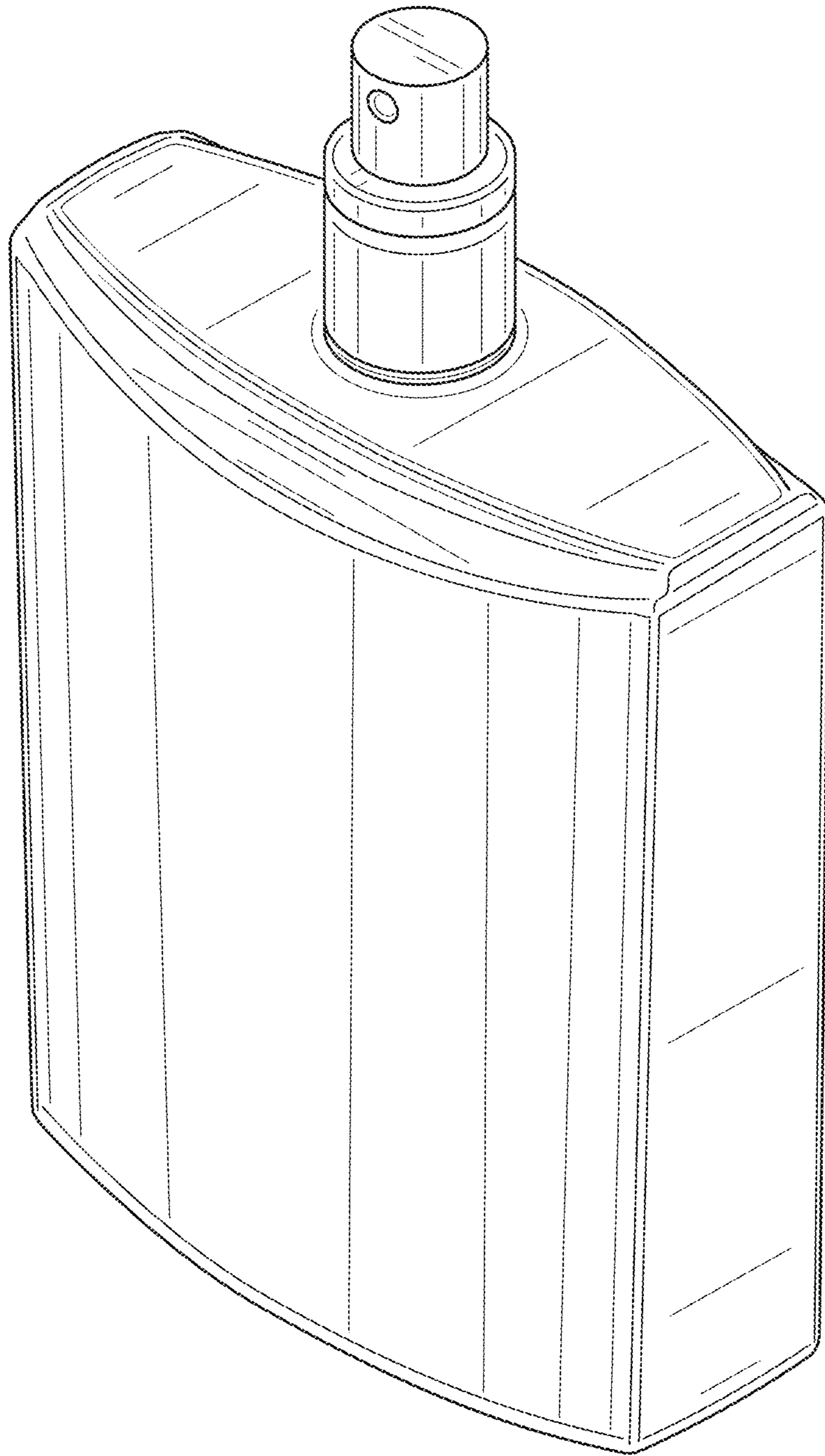


FIG. 8

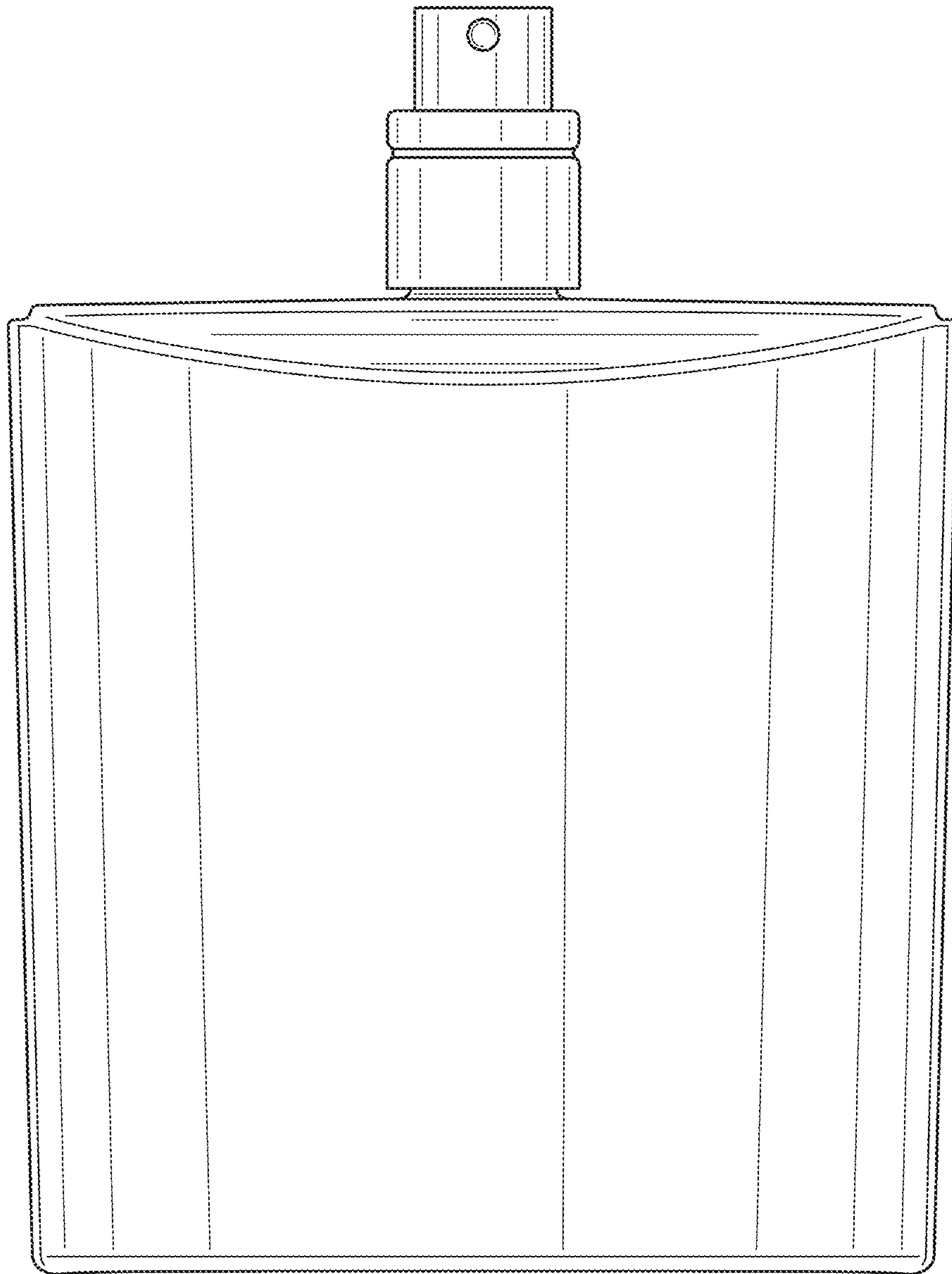


FIG. 9

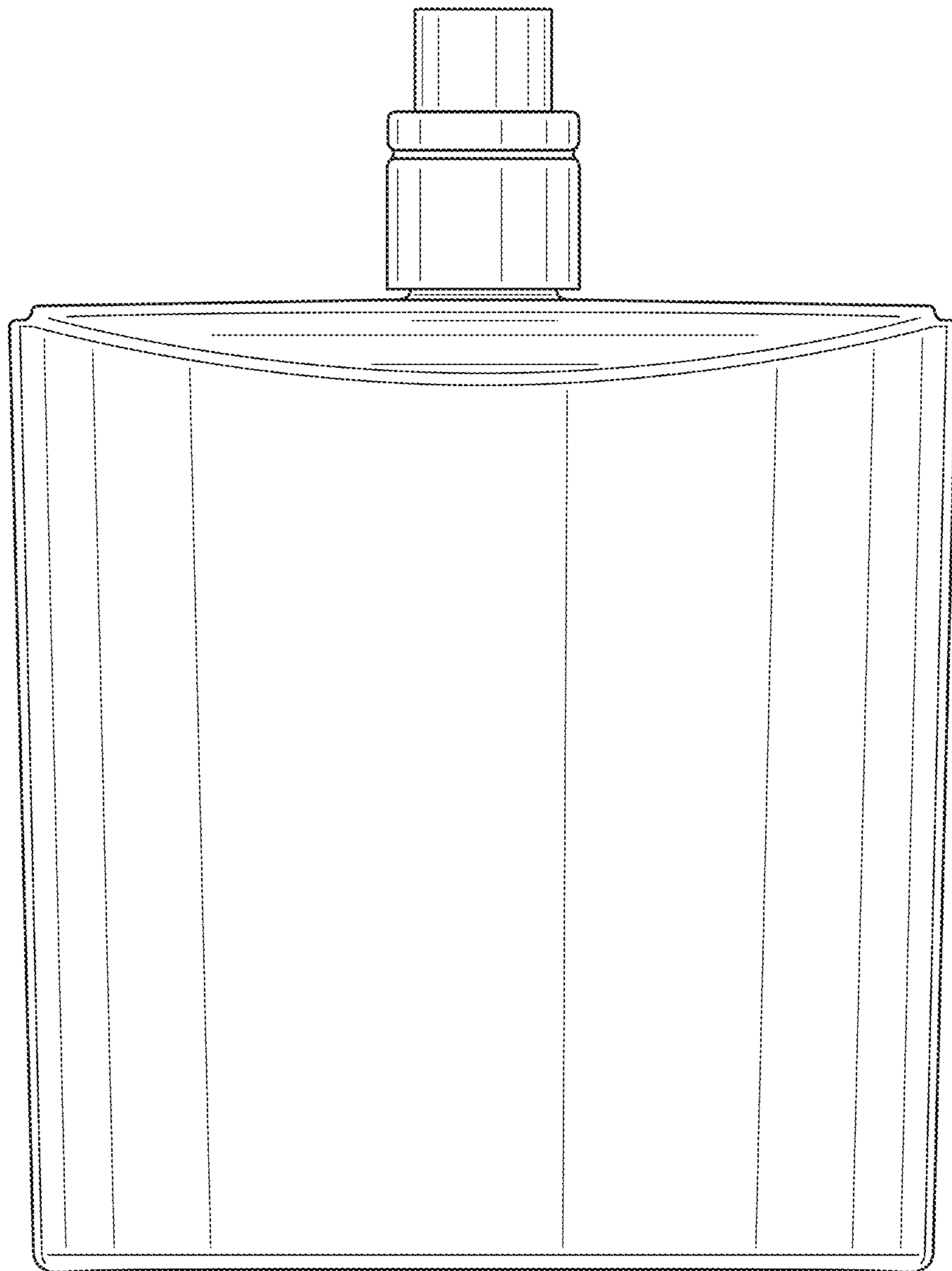


FIG. 10

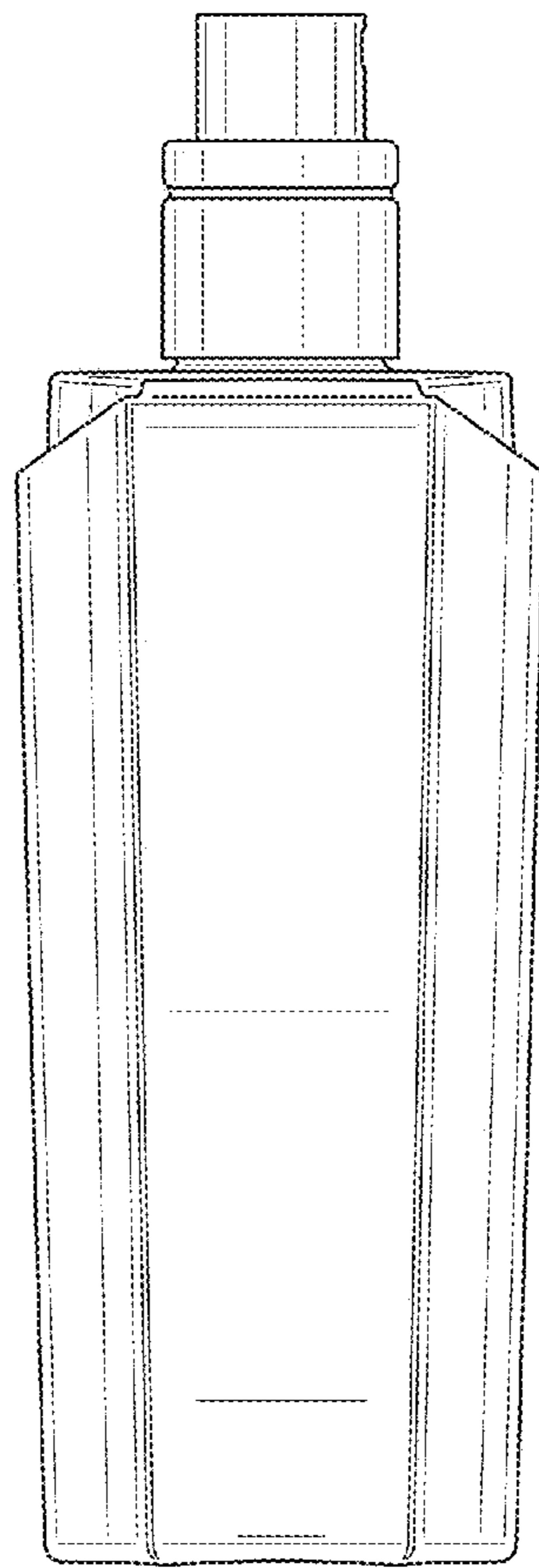


FIG. 11

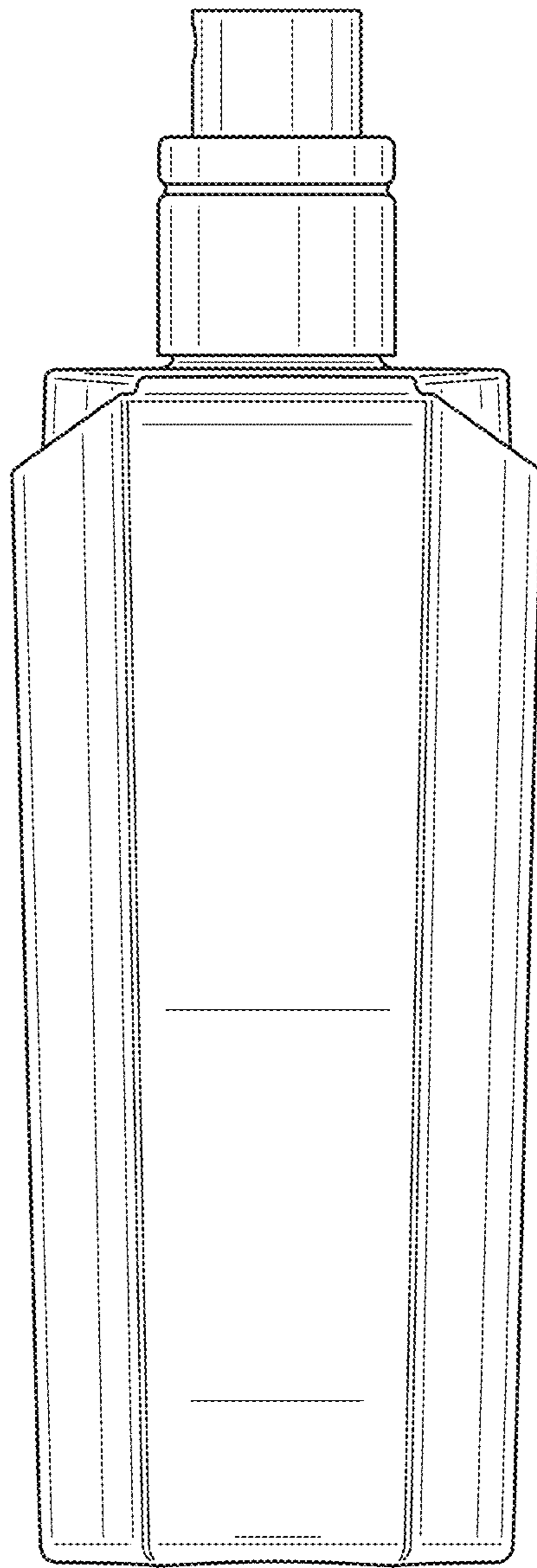


FIG. 12

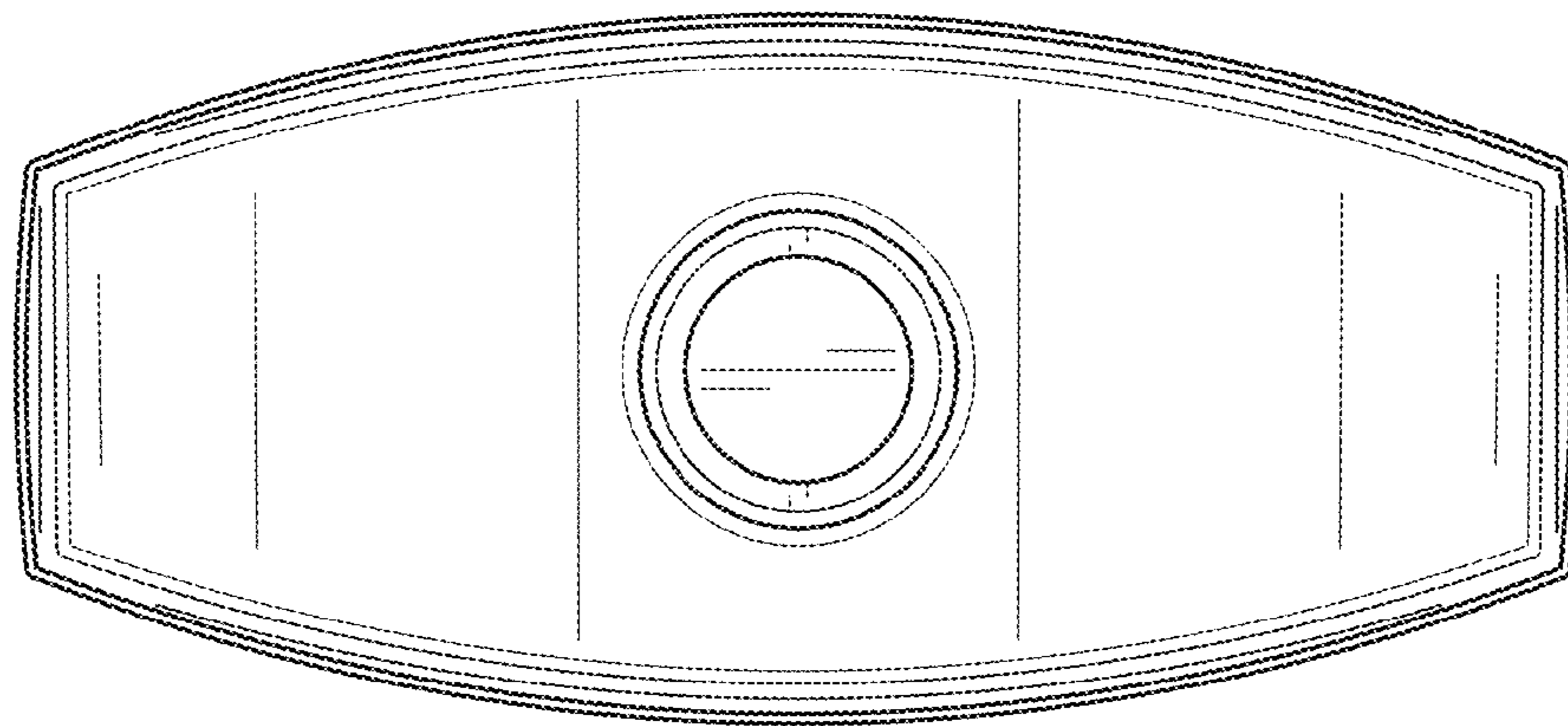


FIG. 13

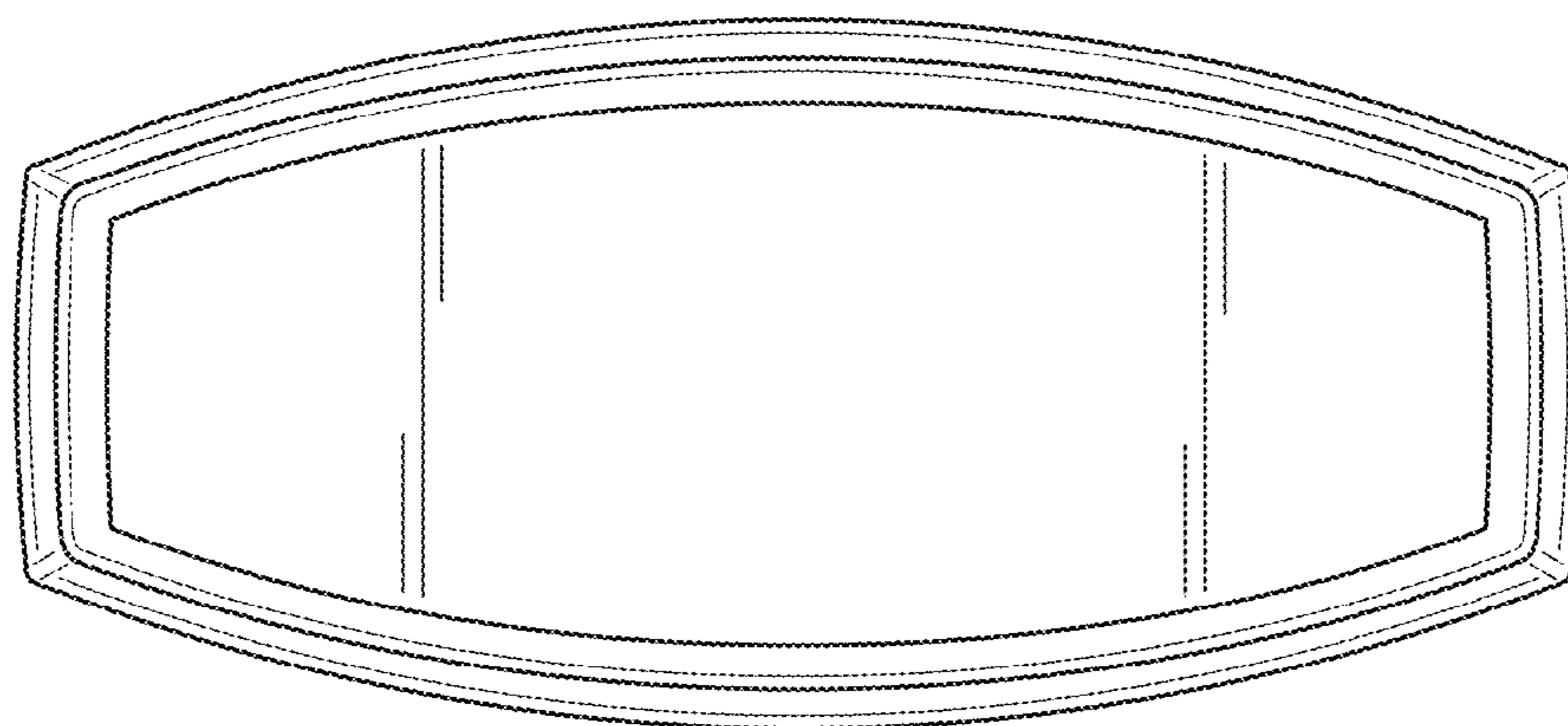


FIG. 14