



US00D764924S

(12) **United States Design Patent** (10) **Patent No.:** **US D764,924 S**  
**Eisen** (45) **Date of Patent:** **\*\* Aug. 30, 2016**

(54) **BOTTLE**

(71) Applicant: **Tangs Department Limited**, Hong Kong (HK)

(72) Inventor: **Mark Eisen**, Groot Drakenstein (ZA)

(73) Assignee: **Tangs Department Limited**, Hong Kong (HK)

(\*\*) Term: **15 Years**

(21) Appl. No.: **29/528,998**

(22) Filed: **Jun. 2, 2015**

(51) **LOC (10) Cl.** ..... **09-01**

(52) **U.S. Cl.**  
USPC ..... **D9/560**; D9/569

(58) **Field of Classification Search**  
USPC ..... D9/600–681, 682–694, 715, 719, D9/516–522, 529–575; D28/76, 77, 91.1  
CPC ..... B65D 1/00; B65D 1/02; B65D 1/0223; B65D 1/10; B65D 1/40; B65D 1/44; B65D 13/02; B65D 23/00; B65D 23/102; B65D 39/00; B65D 39/0047; B65D 39/0094; B65D 51/245; B65D 83/14; B65D 83/20; B65D 83/38; B65D 83/40; B65D 2501/0009; B65D 2501/0081; B65D 2501/0018; B65D 2501/0027; B65D 2501/0045; A45D 34/00; A45D 34/02; A45D 2034/007; B05B 11/0037; B05B 11/3001; B05B 11/3046; B05B 11/3047; B05B 11/3049; B05B 11/3052; B05B 11/3053; B05B 11/3054  
See application file for complete search history.

(56) **References Cited**

U.S. PATENT DOCUMENTS

D30,760 S *	5/1899	Lowrey	.....	D9/544
D94,009 S *	12/1934	Westlake	.....	D9/546
D95,849 S *	6/1935	Leach	.....	D9/544
D125,922 S *	3/1941	McIntosh	.....	D9/568
D154,988 S *	8/1949	Carter	.....	D9/504

D157,451 S *	2/1950	Miklos	.....	D9/546
D214,877 S *	8/1969	Biallo et al.	.....	D9/529
D259,173 S *	5/1981	Lauren	.....	D9/560
D262,518 S *	1/1982	Cottrell	.....	D9/520
D310,630 S *	9/1990	Thieffry	.....	D9/529
D348,832 S *	7/1994	Gobe	.....	D9/661
D357,415 S *	4/1995	Fontanella	.....	D9/503
D366,422 S *	1/1996	Gobe	.....	D9/544
D412,283 S *	7/1999	de Baschmakoff	.....	D9/435
D511,688 S *	11/2005	Baron	.....	D9/560
D555,002 S *	11/2007	Lloyd	.....	D9/544
D562,689 S *	2/2008	Antretter	.....	D9/439
D584,639 S *	1/2009	Antretter	.....	D9/687
D589,818 S *	4/2009	Veillet	.....	D9/694
D751,916 S *	3/2016	Dygert	.....	D9/560
2009/0291174 A1 *	11/2009	Lewis	.....	B32B 27/32 426/399
2015/0246758 A1 *	9/2015	Benigni	.....	B65D 45/322 220/315

\* cited by examiner

*Primary Examiner* — Catherine Tuttle

(74) *Attorney, Agent, or Firm* — Fross Zelnick Lehrman & Zissu, P.C.; Lawrence E. Apolzon, Esq.

(57) **CLAIM**

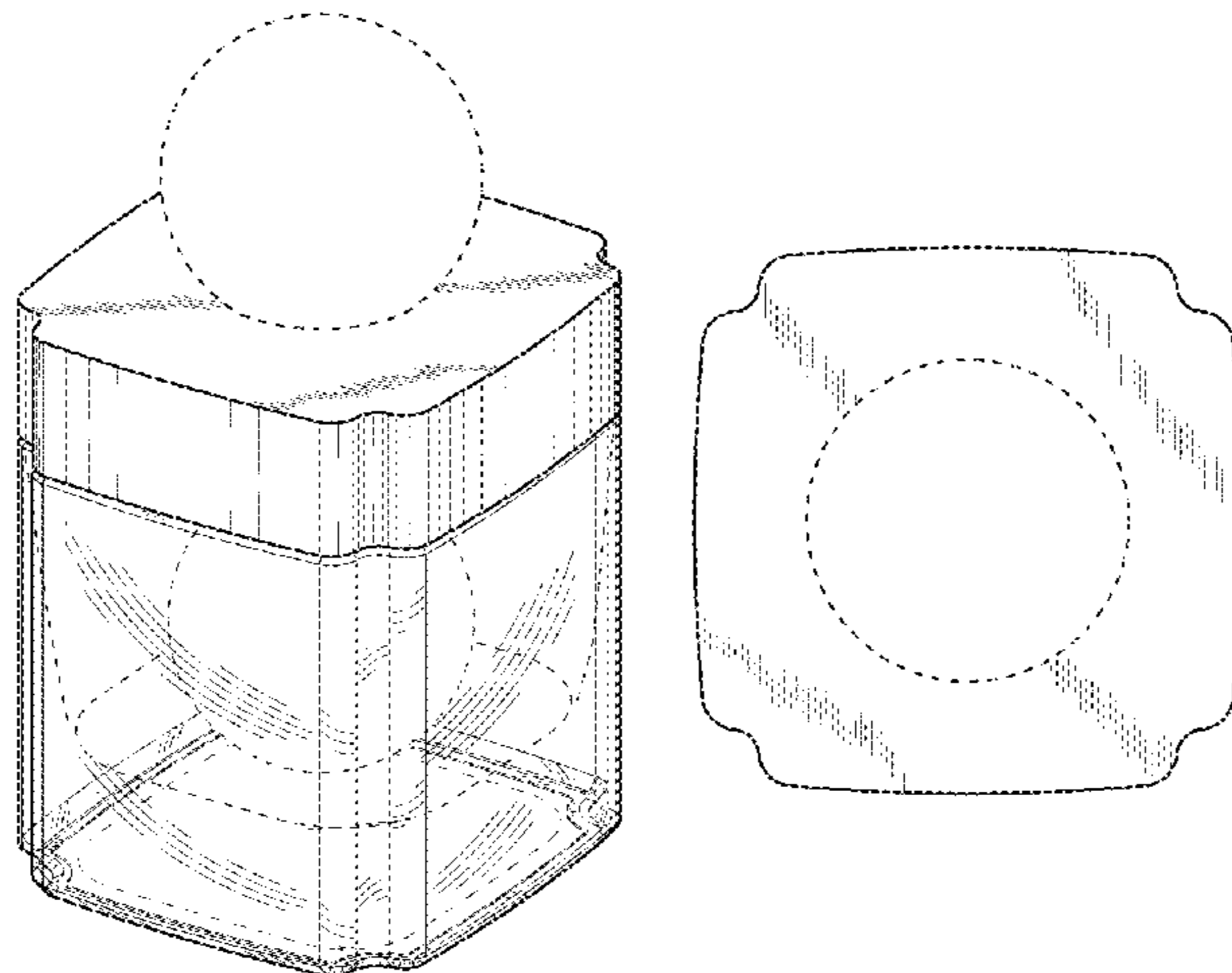
The ornamental design for a bottle, as shown and described.

**DESCRIPTION**

FIG. 1 is a front perspective view of a bottle showing my new design;  
FIG. 2 is a front view thereof;  
FIG. 3 is a back view thereof;  
FIG. 4 is a left side view thereof;  
FIG. 5 is a right side view thereof;  
FIG. 6 is a top view thereof;  
FIG. 7 is a bottom view thereof; and,  
FIG. 8 is a front perspective view thereof, shown with cap removed.

The broken lines are included for the purpose of illustrating the portions of the bottle, namely the interior wall, interior sphere, spray top, bottom surface and cap that form no part of the claimed design.

**1 Claim, 5 Drawing Sheets**



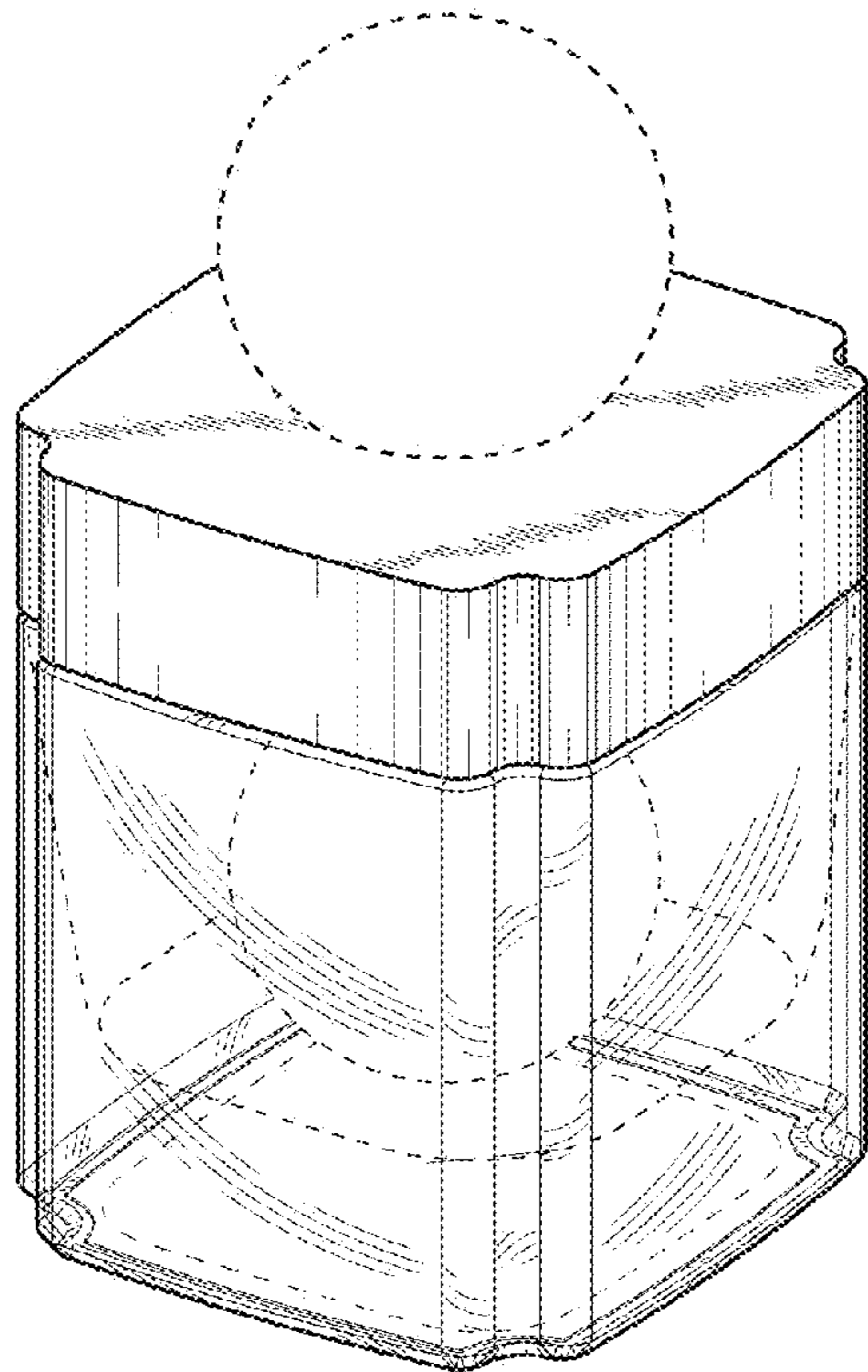


FIG. 1

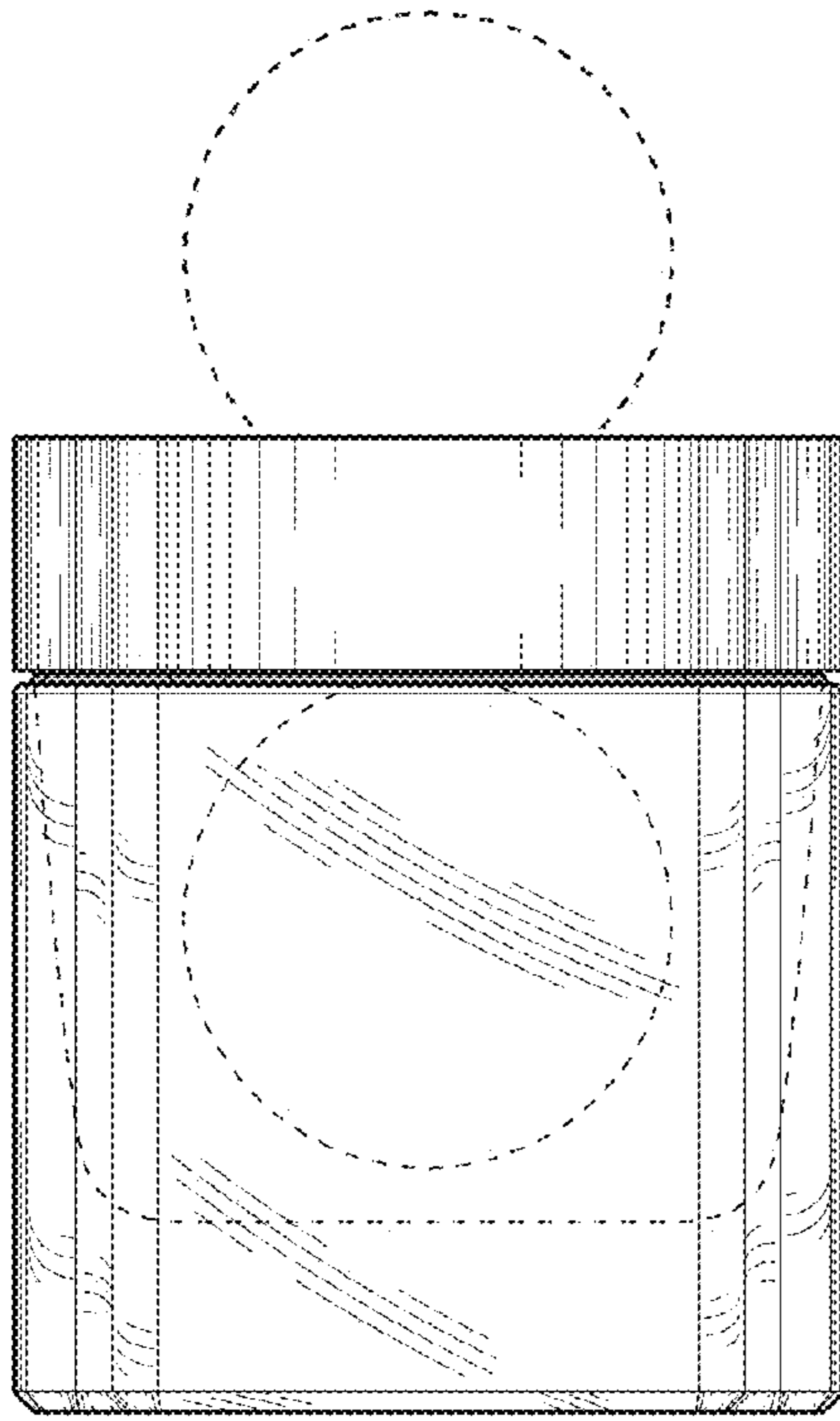


FIG. 2

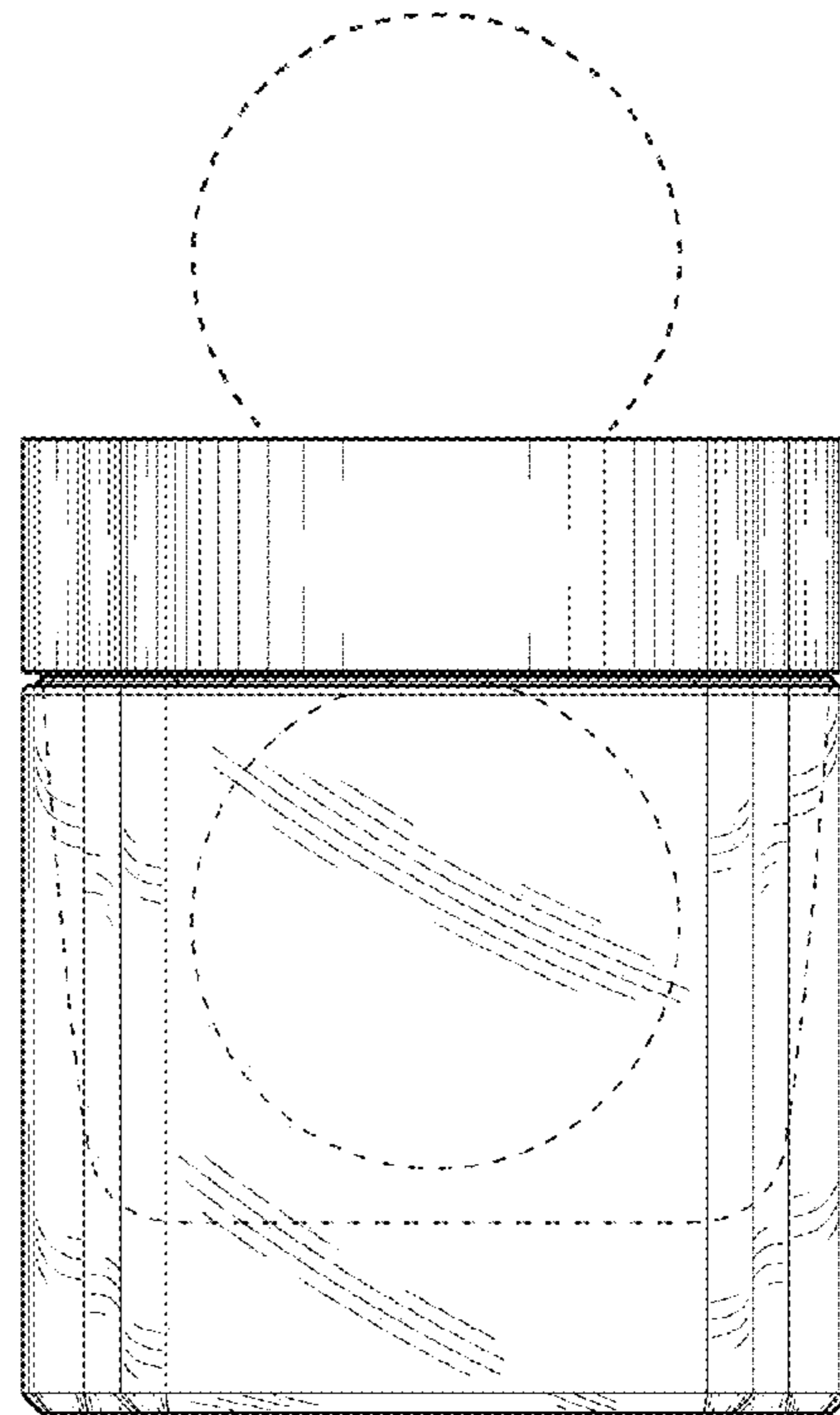


FIG. 3

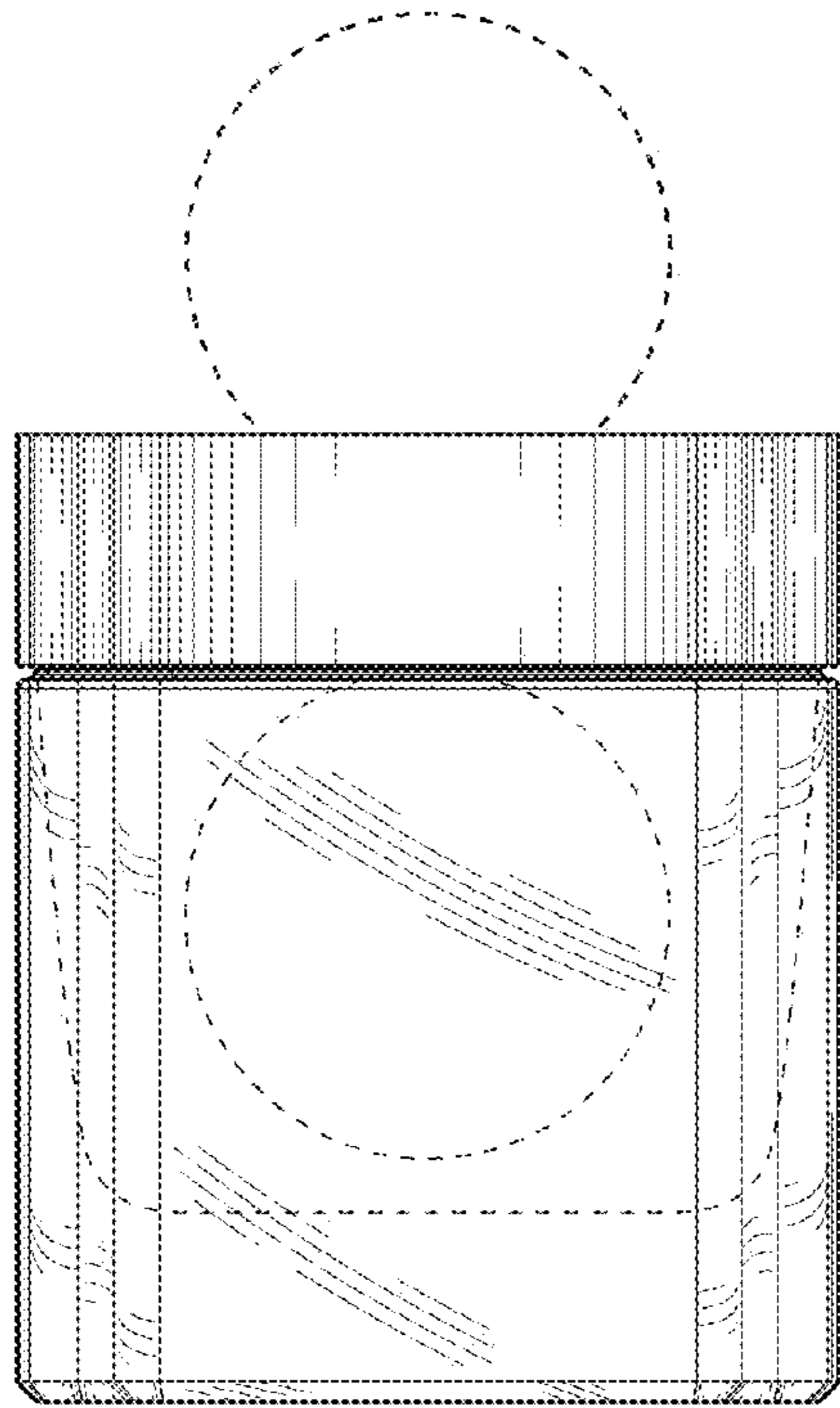


FIG. 4

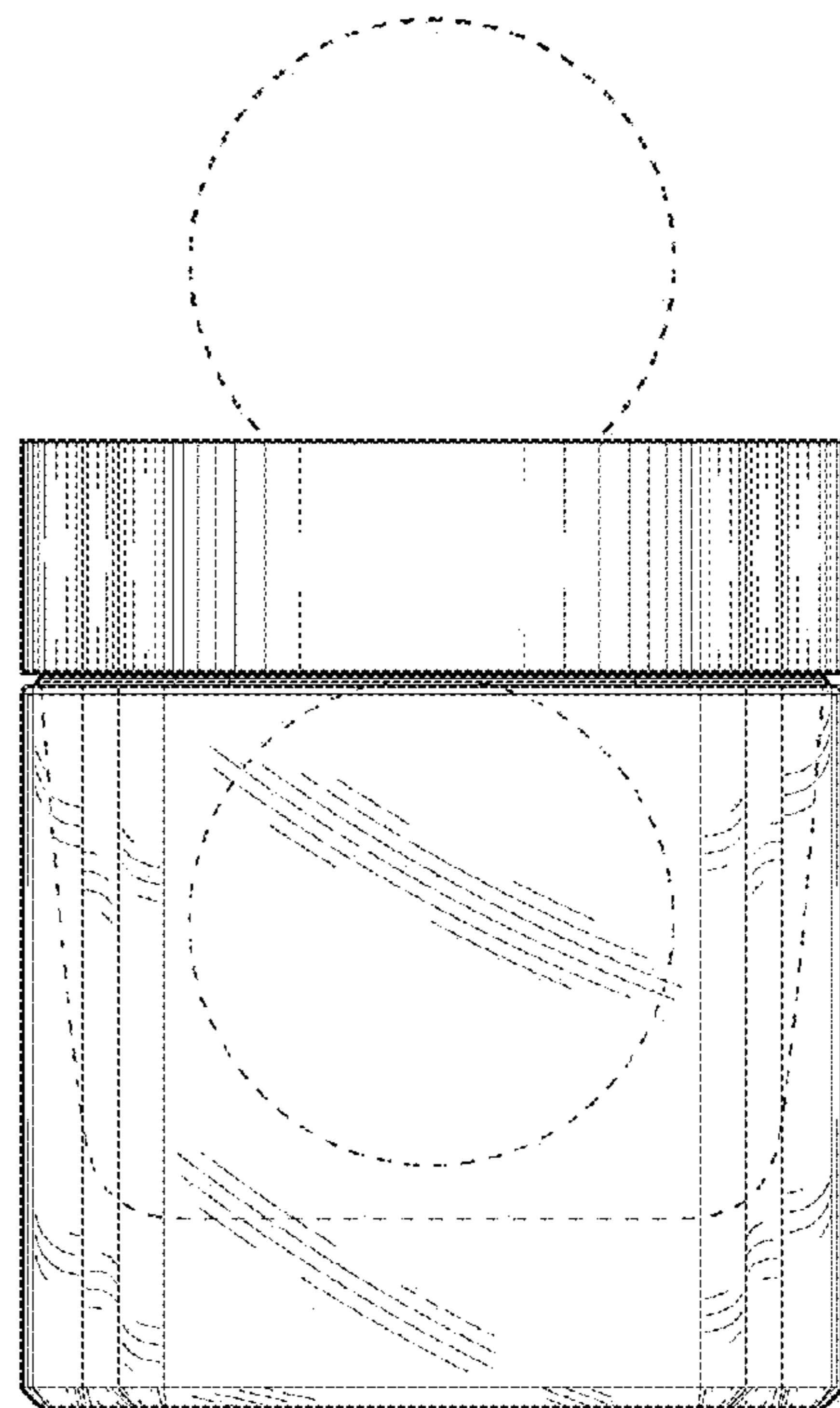


FIG. 5

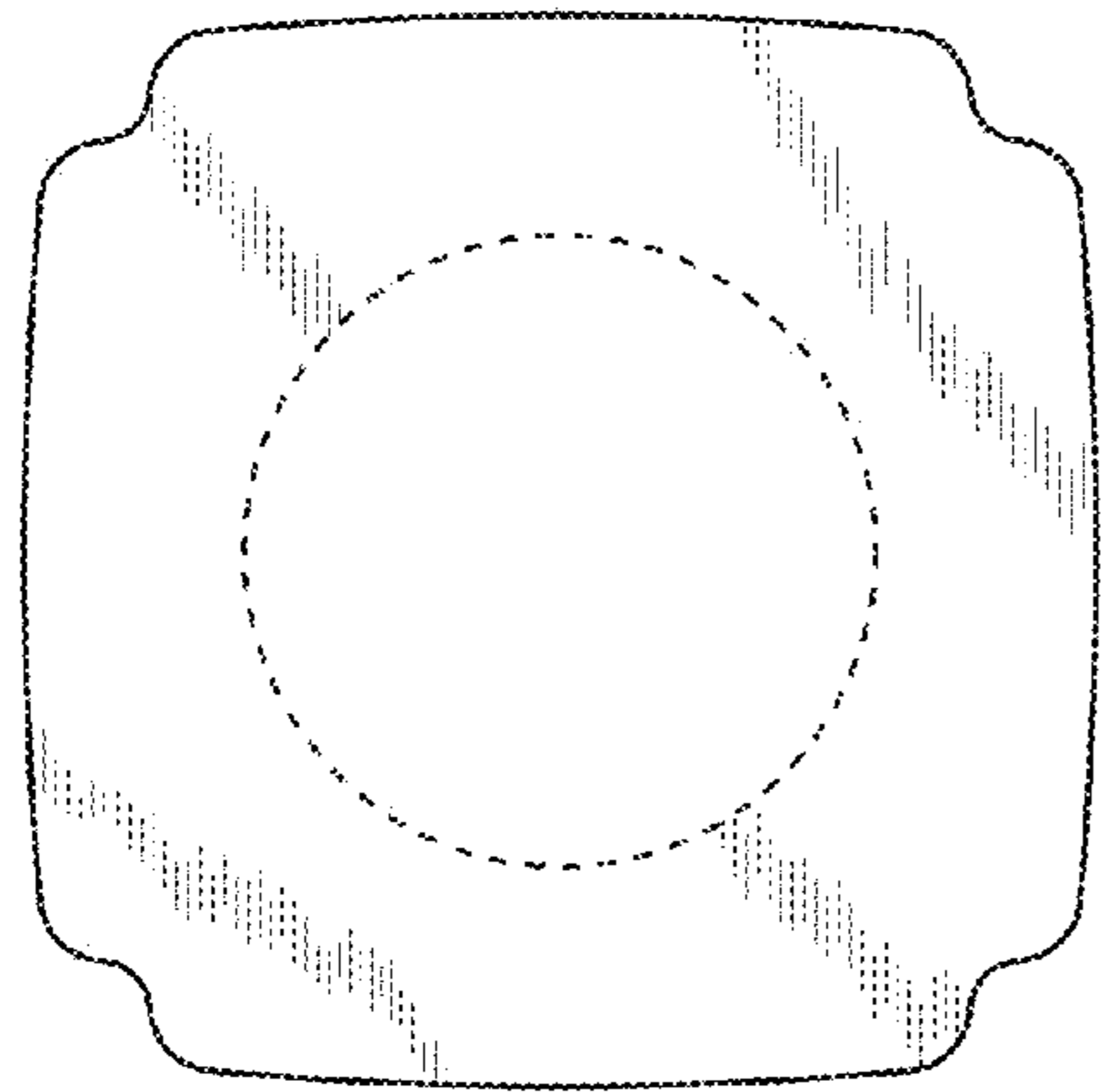


FIG. 6

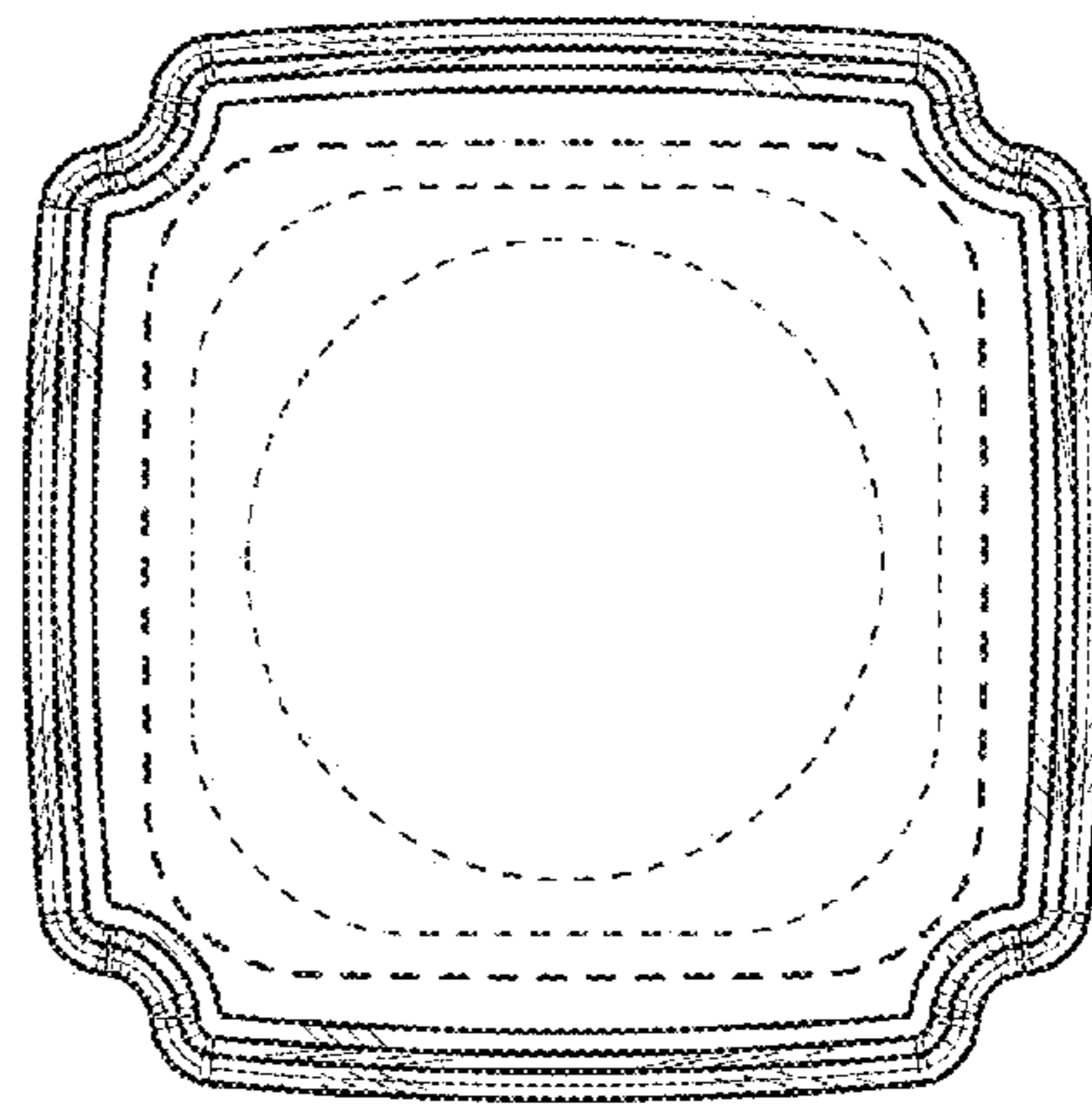


FIG. 7

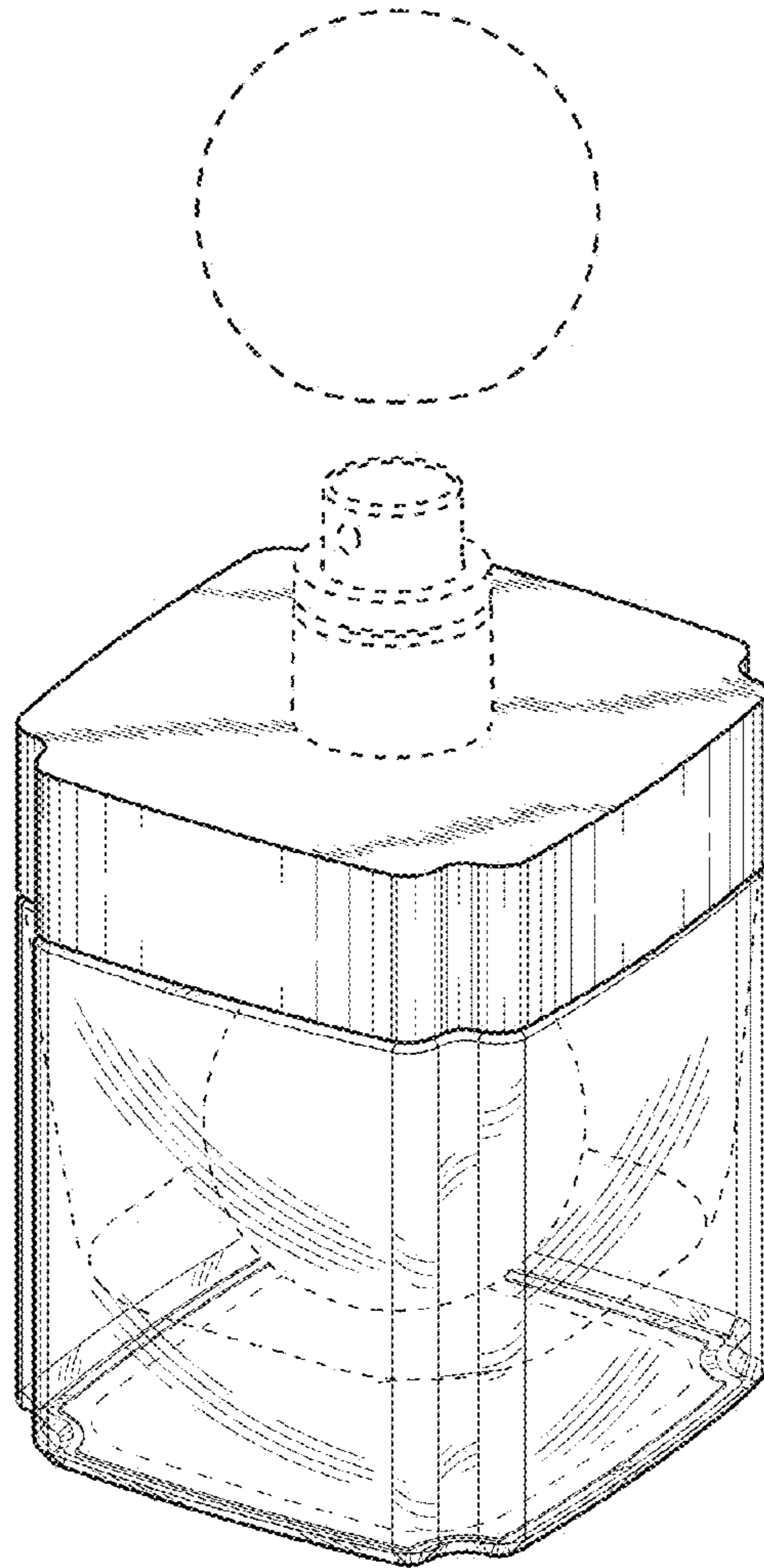


FIG. 8