

US00D764923S

(12) **United States Design Patent**  
**House et al.**

(10) **Patent No.:** **US D764,923 S**

(45) **Date of Patent:** **\*\* \*Aug. 30, 2016**

(54) **BOTTLE FOR A DIETARY SUPPLEMENT**

(71) Applicant: **Novartis Consumer Health SA,**  
Prangins (CH)

(72) Inventors: **Christopher House,** Berkeley Heights,  
NJ (US); **Timothy James,** Brooklyn,  
NY (US)

(73) Assignee: **Novartis Consumer Healthcare, SA,**  
Prangins (CH)

(\*) Notice: This patent is subject to a terminal dis-  
claimer.

(\*\*) Term: **14 Years**

(21) Appl. No.: **29/457,743**

(22) Filed: **Jun. 12, 2013**

(51) **LOC (10) Cl.** ..... **09-01**

(52) **U.S. Cl.**  
USPC ..... **D9/560; D9/559; D9/564; D9/574**

(58) **Field of Classification Search**  
USPC ..... D3/201, 202, 203.1, 203.2; D4/116;  
D7/300, 507, 509, 584, 587, 601, 602,  
D7/619.1; D9/504, 516, 520, 529, 530,  
D9/538, 539, 541, 542, 543, 544, 548, 552,  
D9/556, 558, 559, 560, 564, 569, 571,  
D9/574; D19/93; D23/211-211.2;  
D24/121, 197, 224; 215/396, 398,  
215/381-385; 220/660, 675  
CPC ..... A61J 1/03; A61J 1/05; B65D 1/02;  
B65D 1/0223; B65D 1/08; B65D 1/10;  
A47G 19/22; A47G 19/2205; A47G 19/2266  
See application file for complete search history.

(56) **References Cited**

**U.S. PATENT DOCUMENTS**

D70,513 S \* 7/1926 Smith ..... D9/548  
D85,838 S \* 12/1931 Noble ..... D9/520

D241,416 S \* 9/1976 Aul et al. .... D9/520  
D247,847 S 5/1978 Kretz  
D271,665 S \* 12/1983 Garwood et al. .... D9/520  
D279,456 S \* 7/1985 Fortuna ..... D9/529  
D288,964 S \* 3/1987 Larkin et al. .... D24/224  
D291,828 S \* 9/1987 Larkin et al. .... D24/224  
D298,012 S \* 10/1988 Larkin et al. .... D24/224  
D307,238 S 4/1990 May  
D307,865 S \* 5/1990 Conner et al. .... D9/558  
D336,855 S \* 6/1993 Tacconelli ..... D9/558  
D346,115 S \* 4/1994 Meisner et al. .... D9/529  
5,383,558 A 1/1995 Wilkinson et al.  
5,803,290 A 9/1998 Bongiorno  
5,900,293 A 5/1999 Zettle  
D418,758 S 1/2000 Yucknut  
D422,218 S 4/2000 Ohchi et al.  
D429,649 S \* 8/2000 Kotyuk ..... D9/552  
D430,804 S \* 9/2000 Bulsink ..... D9/543  
D438,116 S 2/2001 Nosella

(Continued)

*Primary Examiner* — Thomas Johannes

*Assistant Examiner* — Catherine Posthauer

(74) *Attorney, Agent, or Firm* — Alison B. Kessler;  
Theodore R. Furman

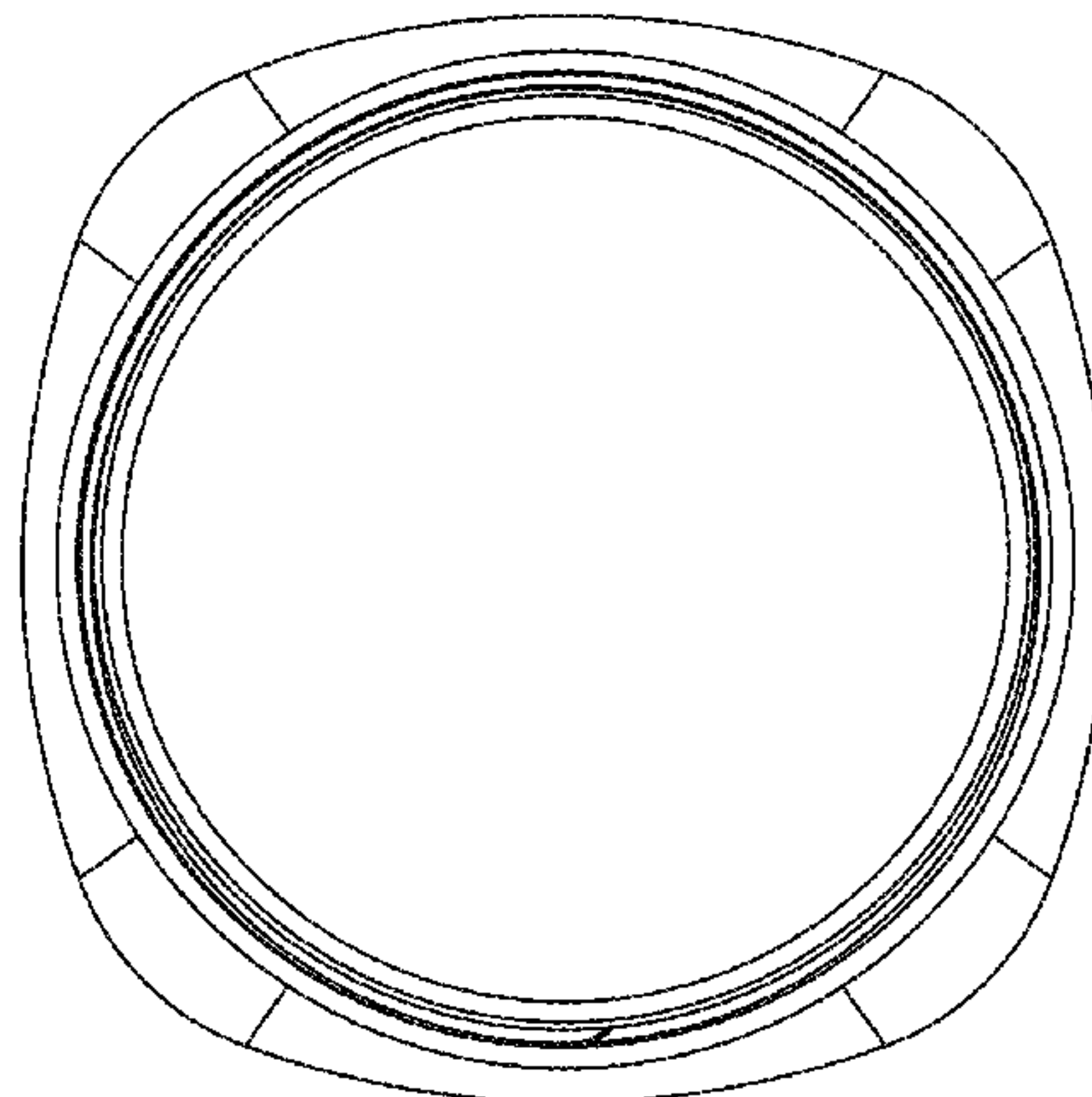
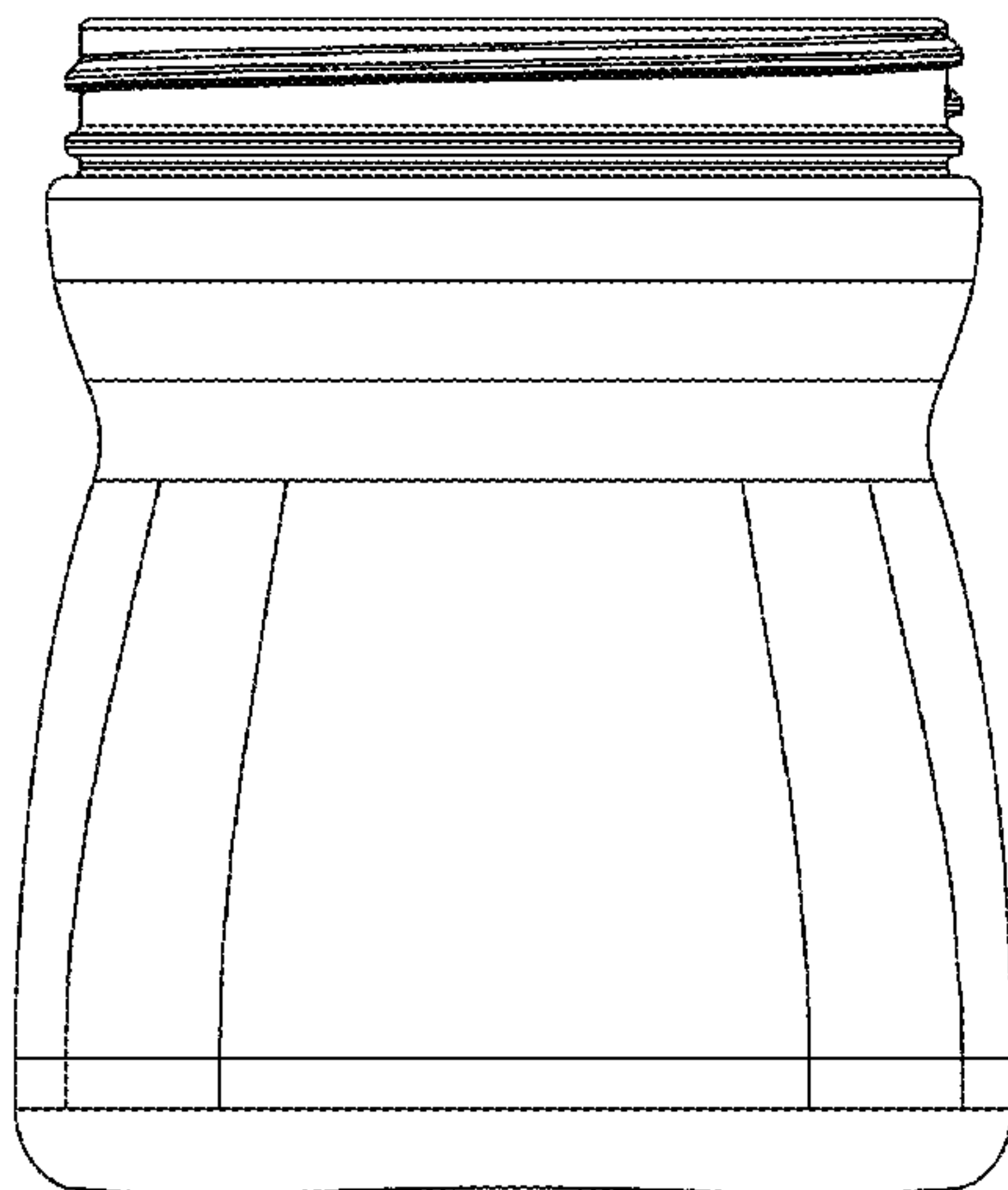
(57) **CLAIM**

The ornamental design for a bottle for dietary supplement,  
as shown and described.

**DESCRIPTION**

FIG. 1 is a left side plan view of a bottle for a dietary  
supplement, showing our new design;  
FIG. 2 is a front side plan view thereof;  
FIG. 3 is a right side plan view thereof;  
FIG. 4 is a back side plan view thereof;  
FIG. 5 is a top side plan view thereof; and,  
FIG. 6 is a bottom side plan view thereof.  
In the drawings, the broken lines are shown for the purpose  
of illustrating portions of the article and form no part of the  
claimed design.

**1 Claim, 6 Drawing Sheets**



(56)

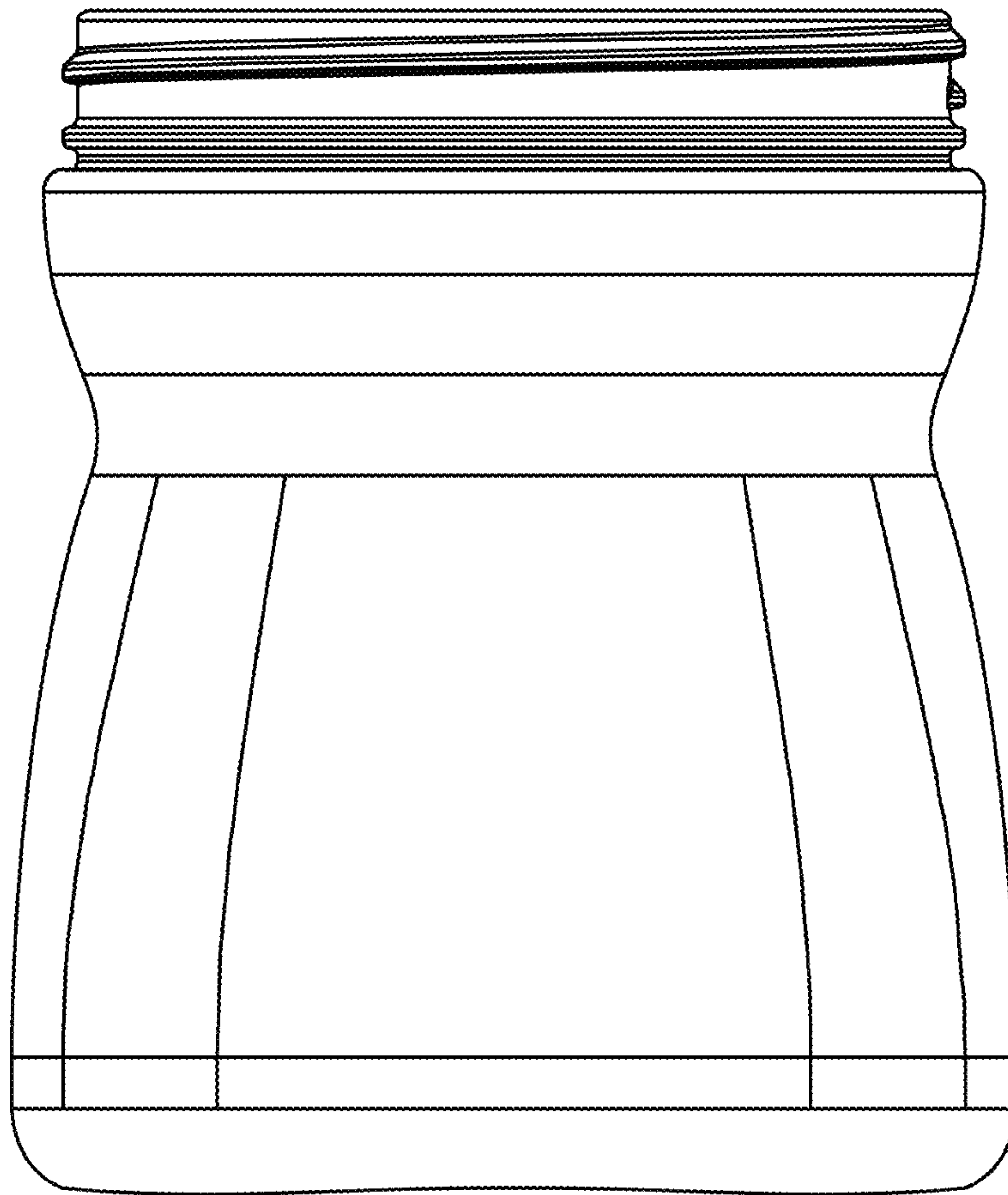
**References Cited**

U.S. PATENT DOCUMENTS

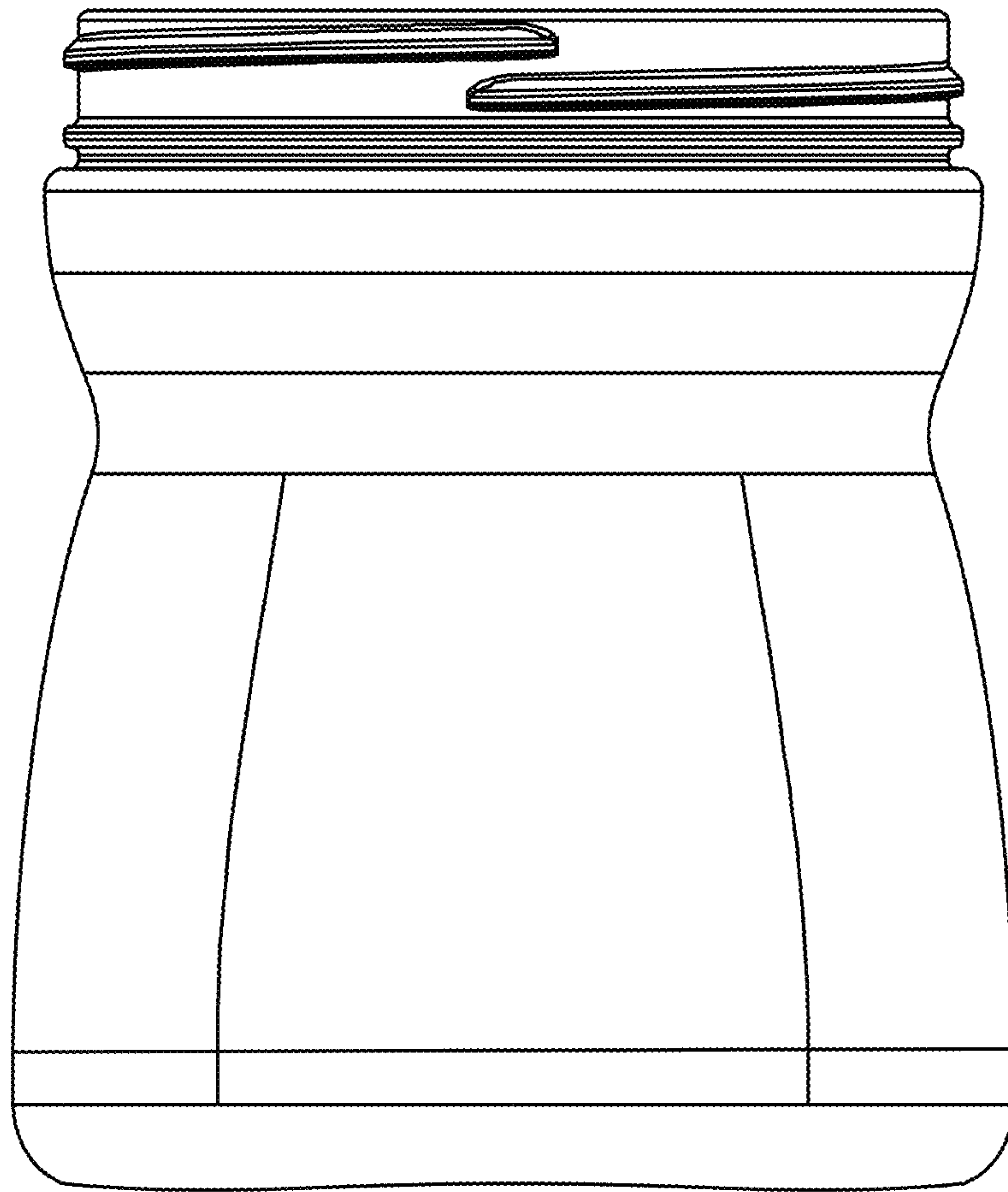
D445,337 S 7/2001 Croft et al.  
 D447,418 S 9/2001 Bezek et al.  
 D452,440 S 12/2001 Bezek et al.  
 D452,824 S 1/2002 Bezek et al.  
 D456,609 S \* 5/2002 Blom et al. .... D4/116  
 6,472,007 B2 10/2002 Bezek et al.  
 D471,458 S \* 3/2003 Booth et al. .... D9/504  
 6,841,262 B1 1/2005 Beck et al.  
 D519,843 S \* 5/2006 Forte ..... D9/556  
 D529,804 S \* 10/2006 Lohrman ..... D9/453

7,178,687 B1 2/2007 Manderfield, Jr. et al.  
 D587,123 S \* 2/2009 Bourne ..... D9/539  
 D598,770 S \* 8/2009 Delfino, Jr. .... D9/538  
 7,581,654 B2 9/2009 Stowitts  
 D635,458 S \* 4/2011 Braun et al. .... D9/516  
 D689,336 S \* 9/2013 Slocumb et al. .... D7/590  
 D694,587 S \* 12/2013 Slocumb et al. .... D7/590  
 D717,660 S \* 11/2014 Schmertz, Jr. .... D9/552  
 2007/0045216 A1 3/2007 Gami et al.  
 2011/0108515 A1 5/2011 Gill et al.  
 2013/0097973 A1 \* 4/2013 McCoy et al. .... 53/467  
 2013/0320029 A1 \* 12/2013 Yourist et al. .... 220/646

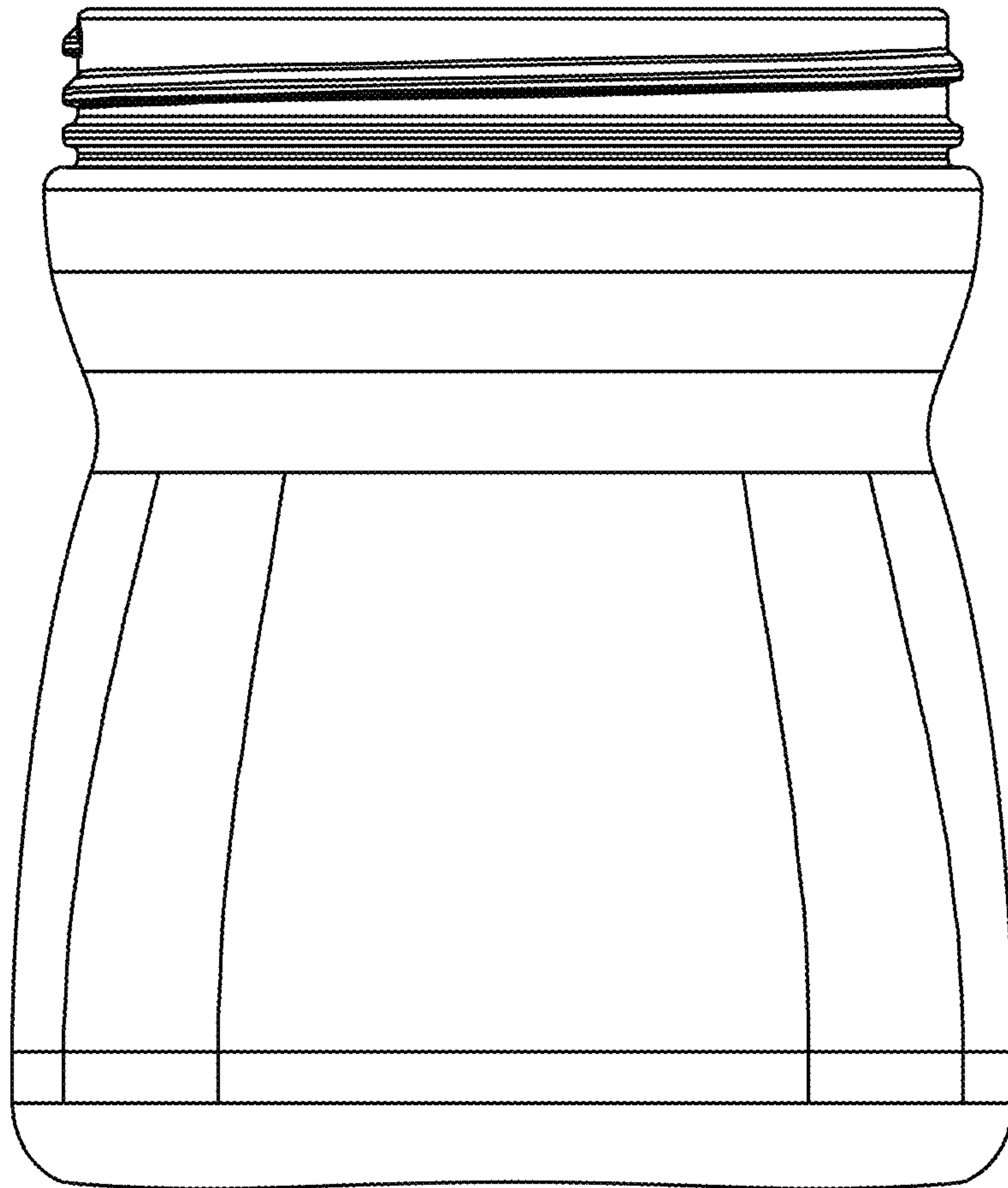
\* cited by examiner



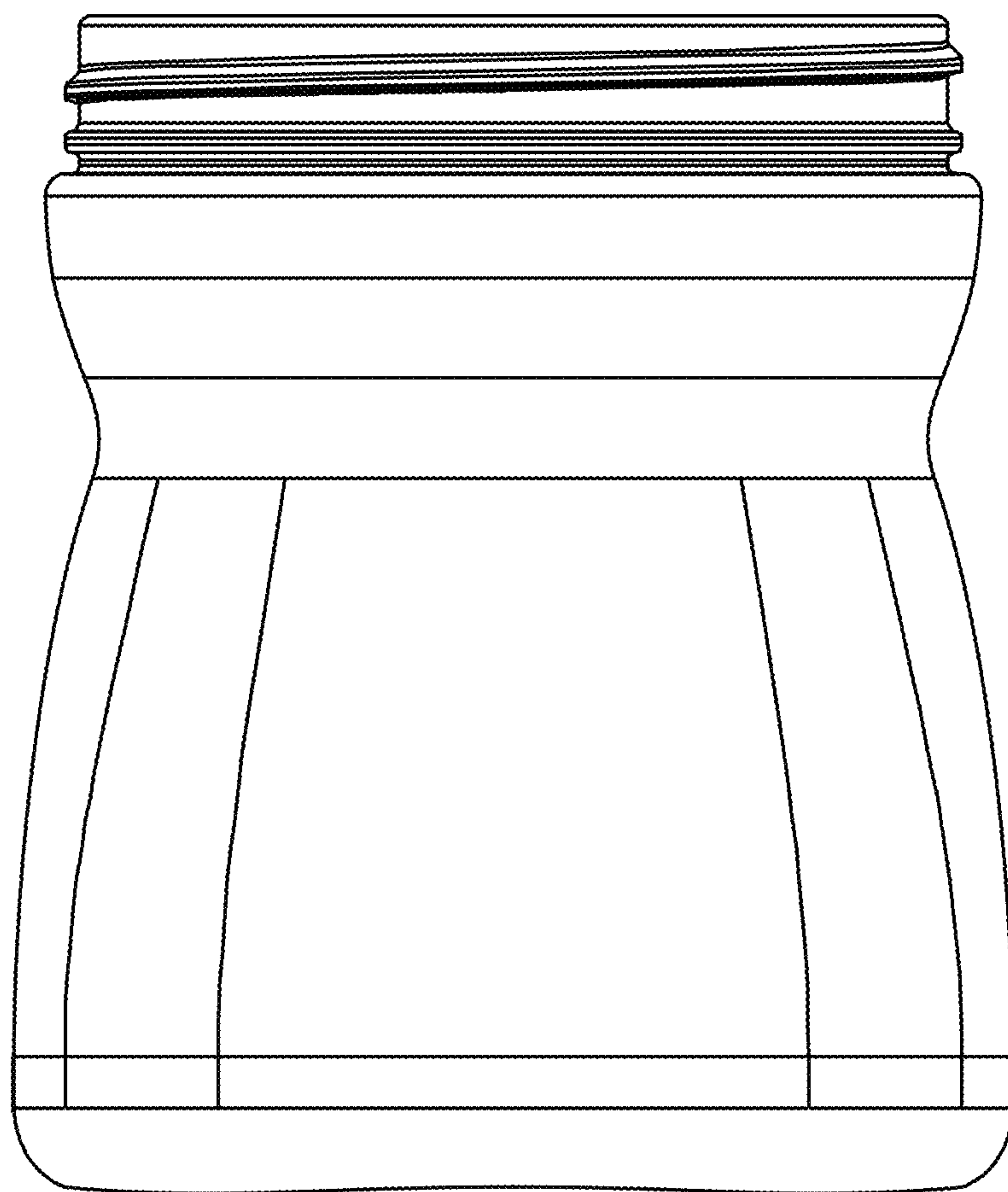
**FIG. 1**



**FIG. 2**

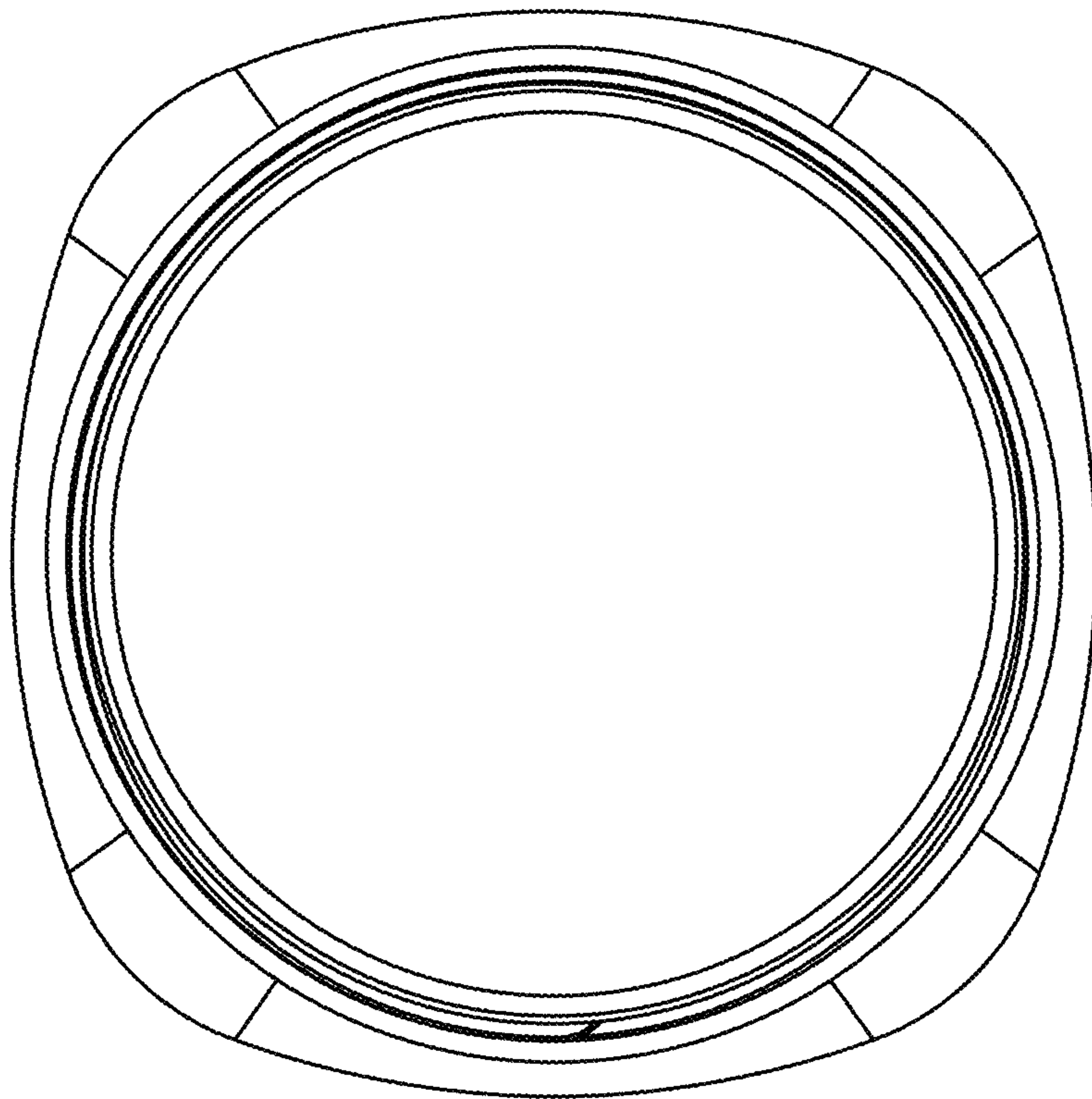


**FIG. 3**

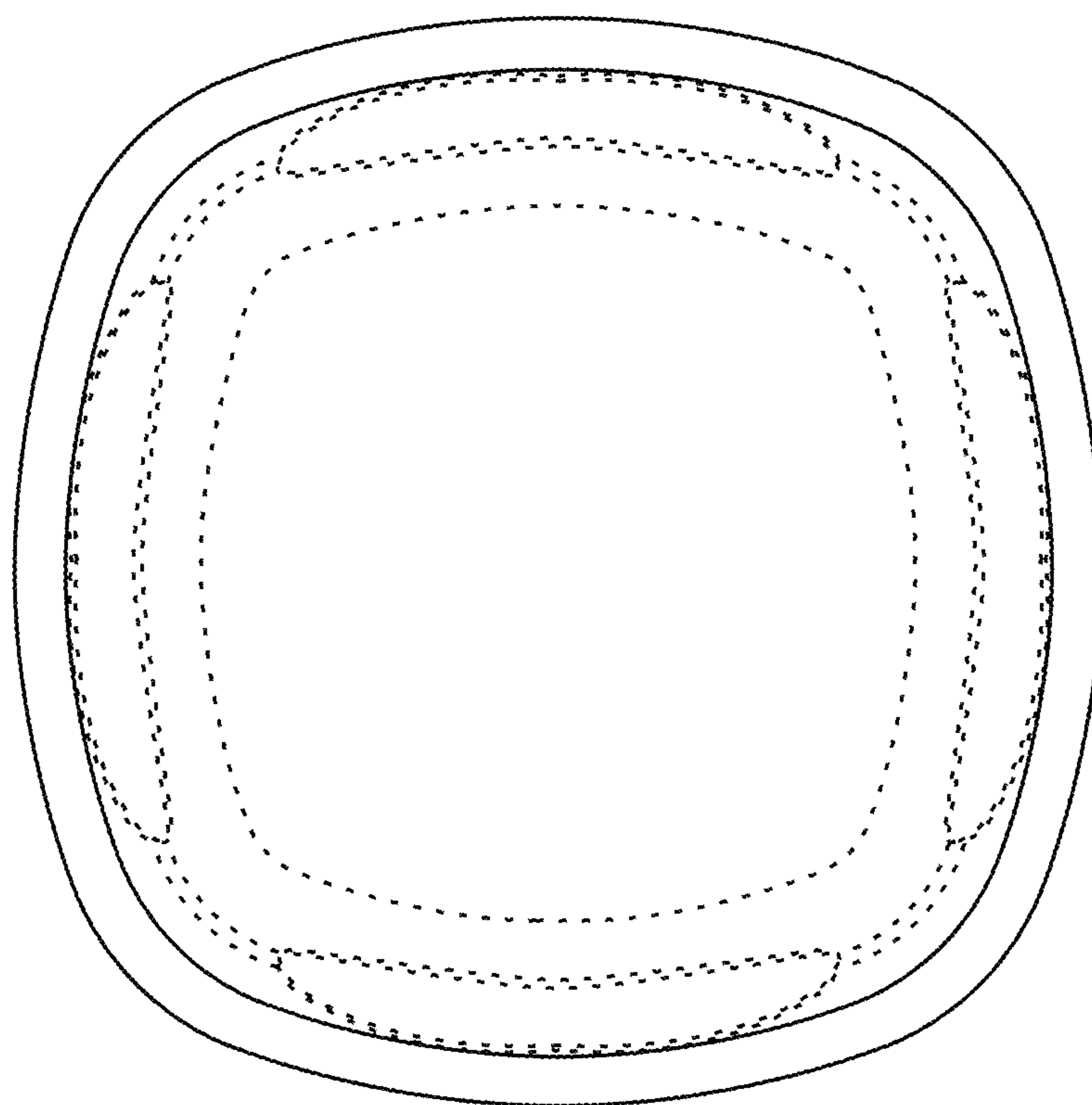


**FIG. 4**





**FIG. 5**



**FIG. 6**