



US00D764921S

(12) **United States Design Patent**
Gaydon

(10) **Patent No.:** **US D764,921 S**

(45) **Date of Patent:** **** Aug. 30, 2016**

(54) **BOTTLE**

(71) Applicant: **Jean-Christophe Gaydon**, Grasse (FR)

(72) Inventor: **Jean-Christophe Gaydon**, Grasse (FR)

(73) Assignee: **Saverglass Inc.**, Ramsey, NJ (US)

(**) Term: **14 Years**

(21) Appl. No.: **29/519,927**

(22) Filed: **Mar. 9, 2015**

Related U.S. Application Data

(63) Continuation of application No. 29/466,894, filed on Sep. 12, 2013.

(51) **LOC (10) Cl.** **09-01**

(52) **U.S. Cl.**
USPC **D9/544**; D9/574

(58) **Field of Classification Search**
USPC D9/516, 544, 572-574, 682, 686-691,
D9/694; D7/300, 300.1, 598; D28/91.1;
215/379, 381-382; 220/660, 662, 669,
220/675

CPC B65D 1/00; B65D 1/02; B65D 1/0223;
B65D 1/40; B65D 23/00; B65D 2501/0009;
B65D 2501/0081

See application file for complete search history.

(56) **References Cited**

U.S. PATENT DOCUMENTS

D73,368 S * 8/1927 Cavanaugh D9/544
D92,426 S * 6/1934 Picker D9/566
D192,942 S * 5/1962 Du Pree D7/300

D261,109 S * 10/1981 Rosenblatt D9/544
D263,372 S * 3/1982 Mansau D9/544
D263,683 S * 4/1982 Mansau D9/544
D323,985 S * 2/1992 Bormioli D9/573
D356,502 S * 3/1995 Poandl D9/520
D362,391 S * 9/1995 Gobe D9/544
D428,343 S * 7/2000 Waitzenegger D9/544
D544,362 S * 6/2007 Rica D9/544
D559,697 S * 1/2008 Didier D9/544
D562,143 S * 2/2008 Didier D9/544
D678,776 S * 3/2013 Lecetre D9/544
D693,227 S * 11/2013 Gonzalez Rodriguez D9/544
D704,561 S * 5/2014 Manoel D9/445
D715,152 S * 10/2014 Maskell D9/566
D741,189 S * 10/2015 Gaydon D9/544
D747,212 S * 1/2016 Staab D9/559

* cited by examiner

Primary Examiner — Dana L Meyrow

(74) *Attorney, Agent, or Firm* — Fross Zelick Lehrman & Zissu, P.C.; Charles T. J. Weigell, Esq.

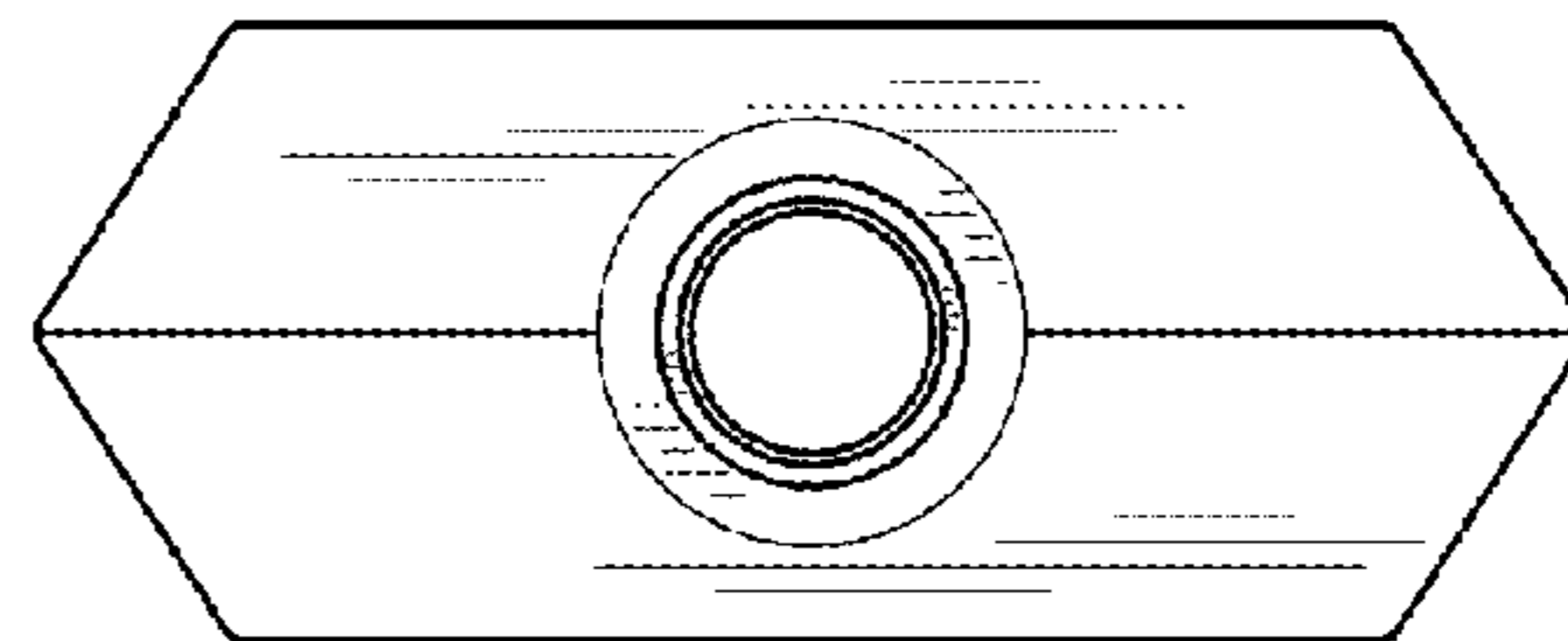
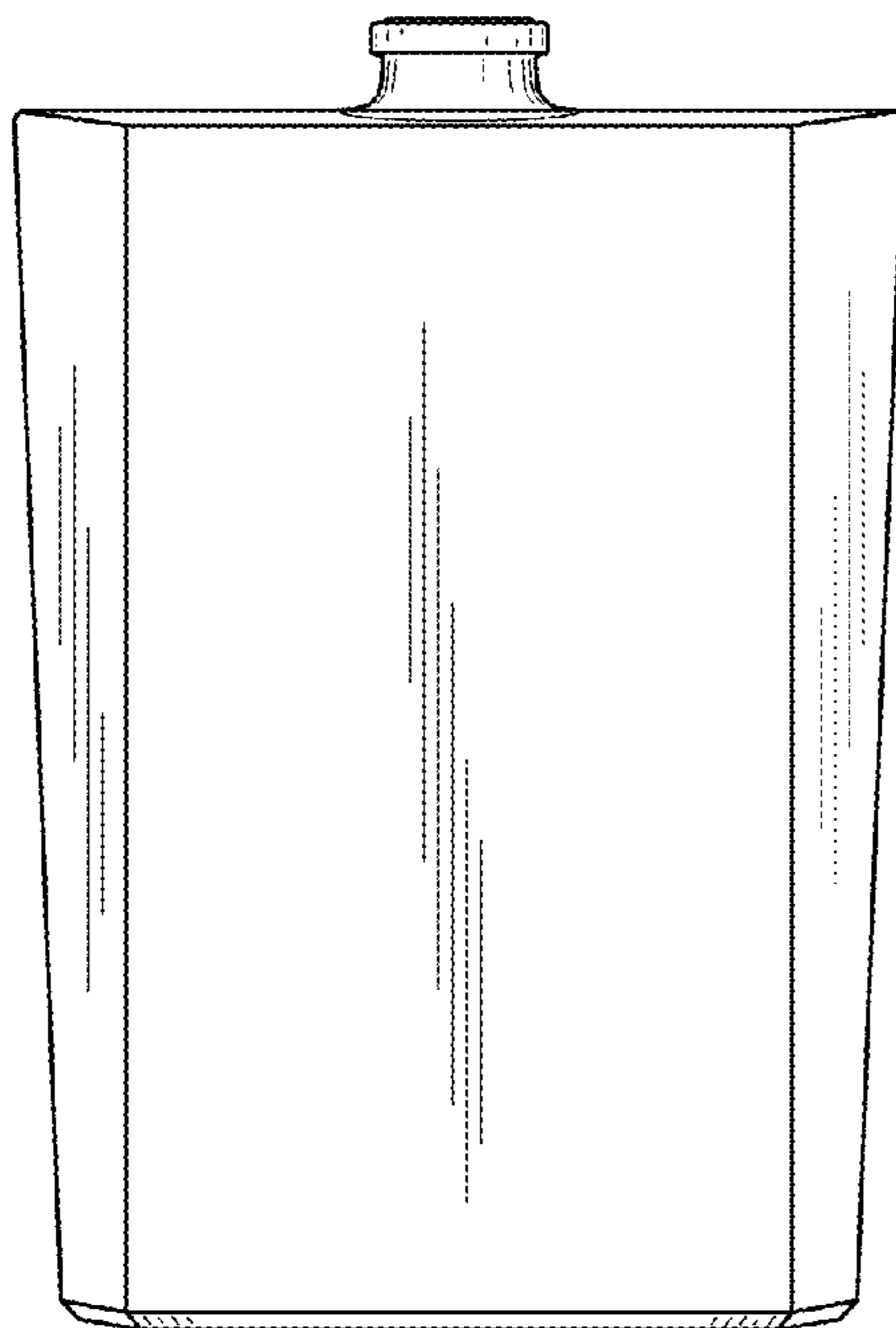
(57) **CLAIM**

The ornamental design for a bottle, as shown and described.

DESCRIPTION

FIG. 1 is a front view of a bottle showing my new design (with the rear view being the same);
FIG. 2 is a side view of the bottle shown in FIG. 1 (with the other side view being the same)
FIG. 3 is a top view of the bottle shown in FIG. 1;
FIG. 4 is a bottom view of the bottle shown in FIG. 1; and,
FIG. 5 is a front perspective view of the bottle shown in FIG. 1.

1 Claim, 1 Drawing Sheet



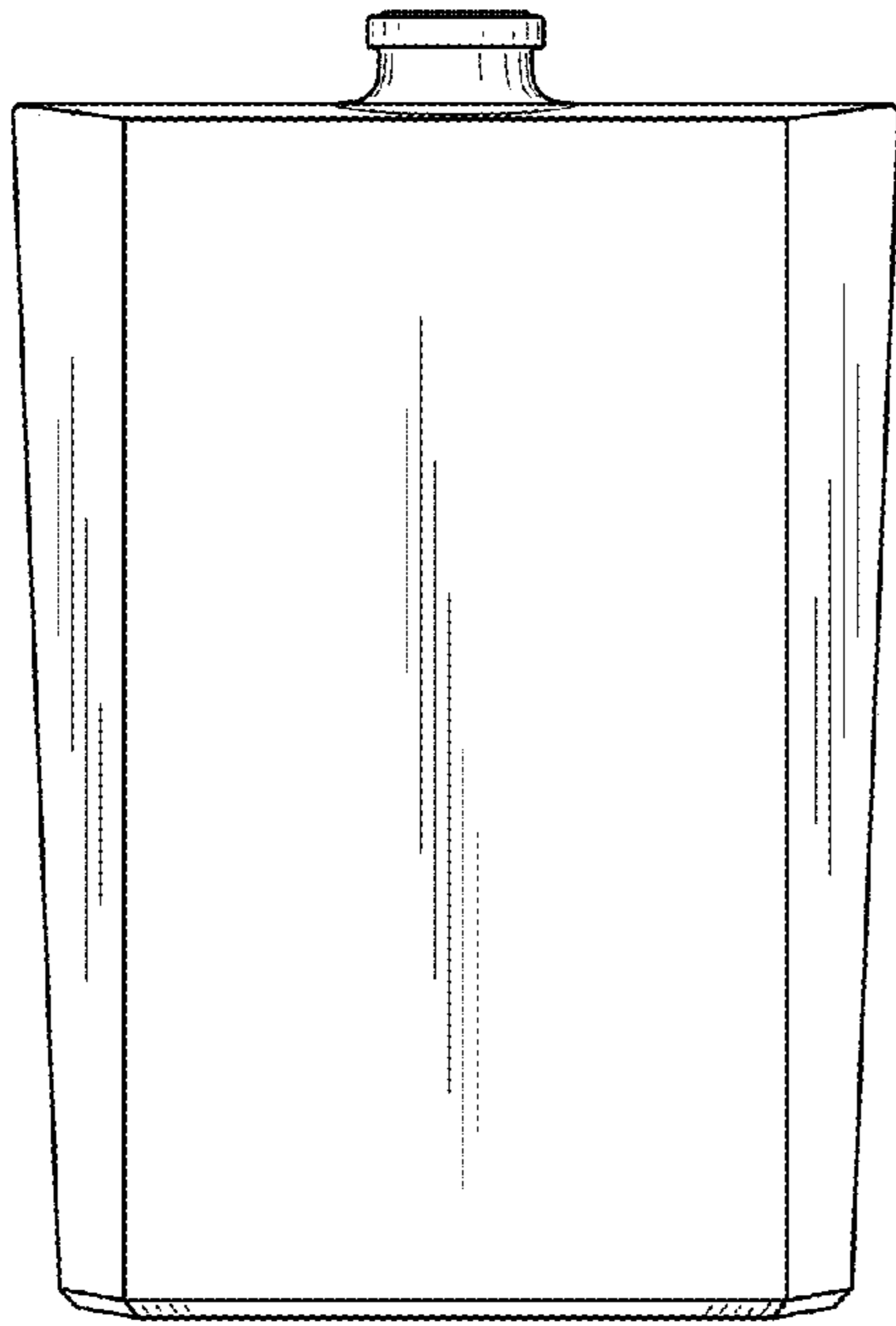


FIG. 1

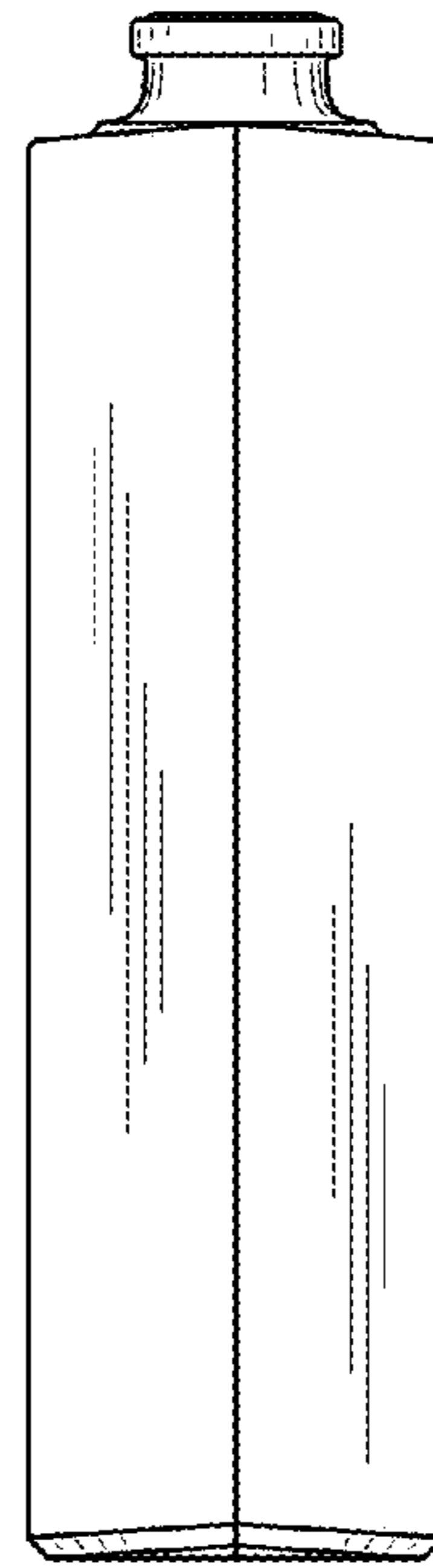


FIG. 2

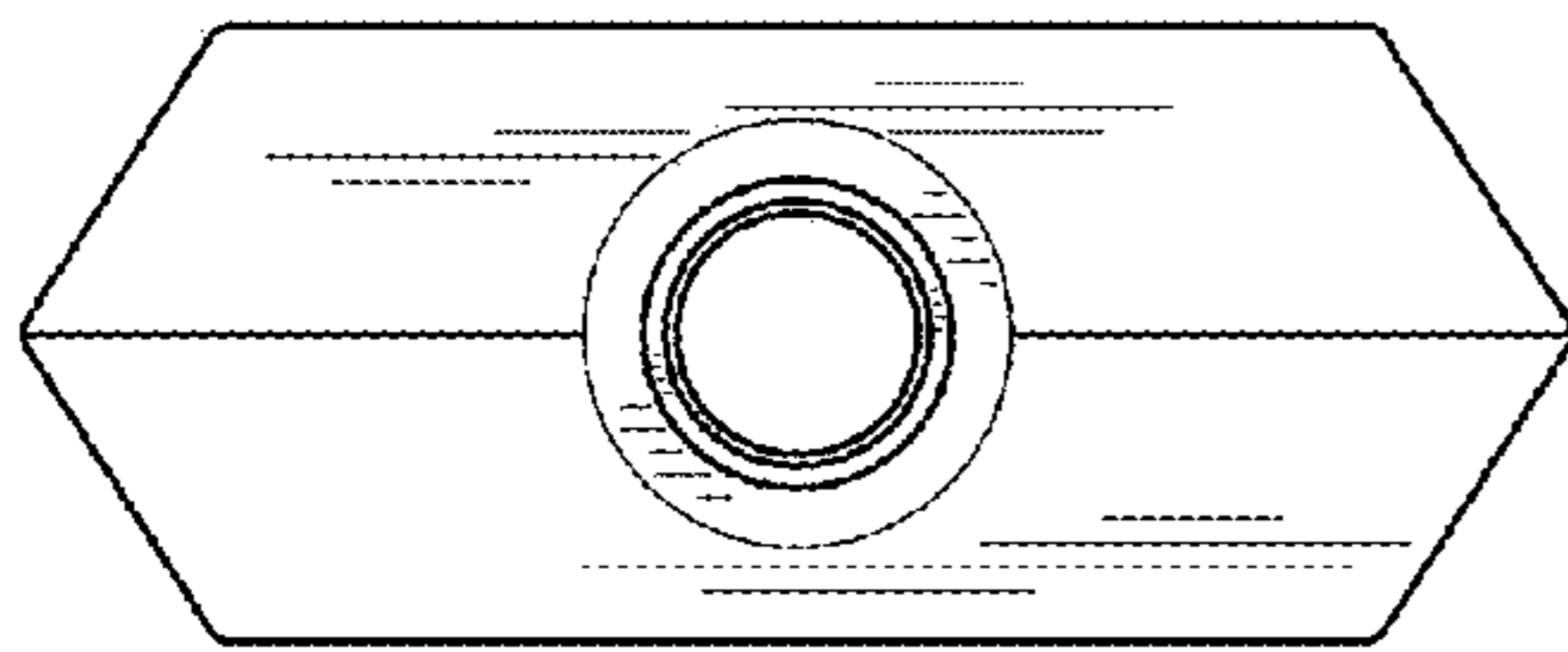


FIG. 3

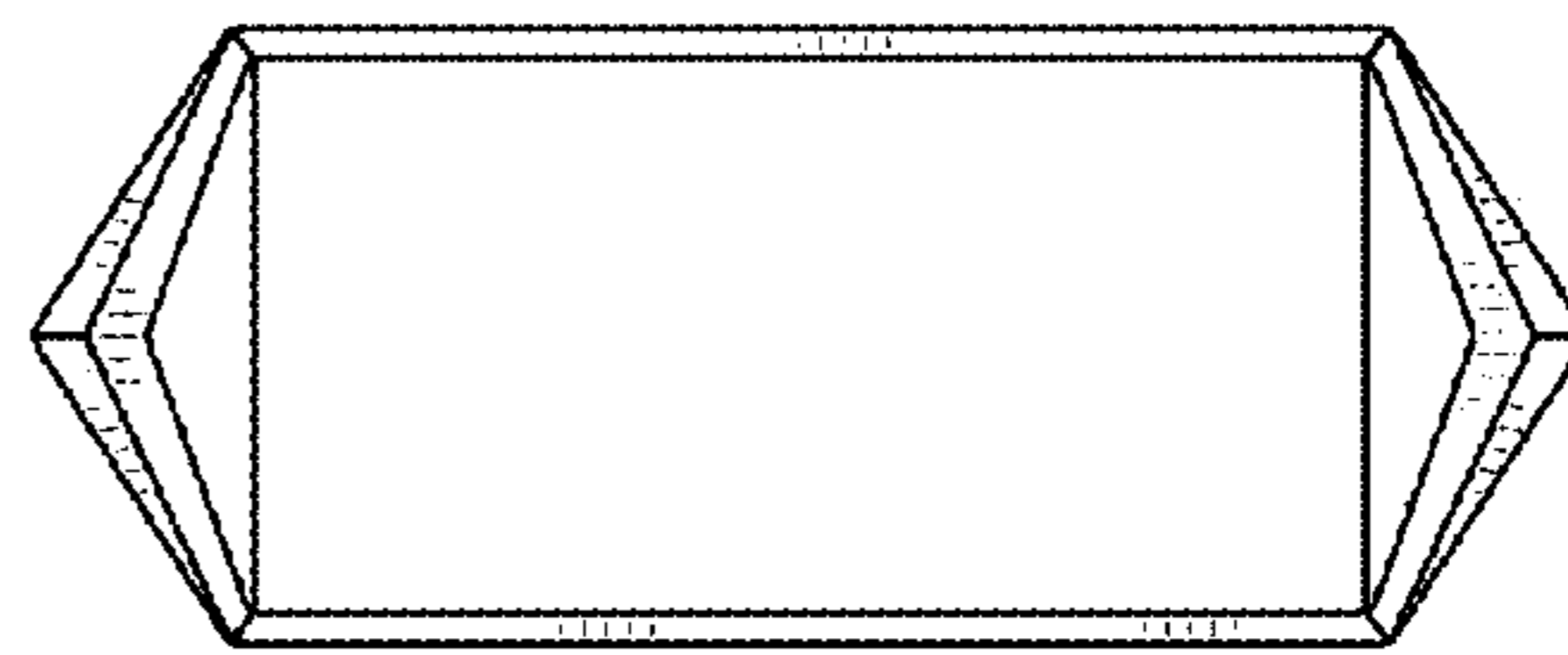


FIG. 4

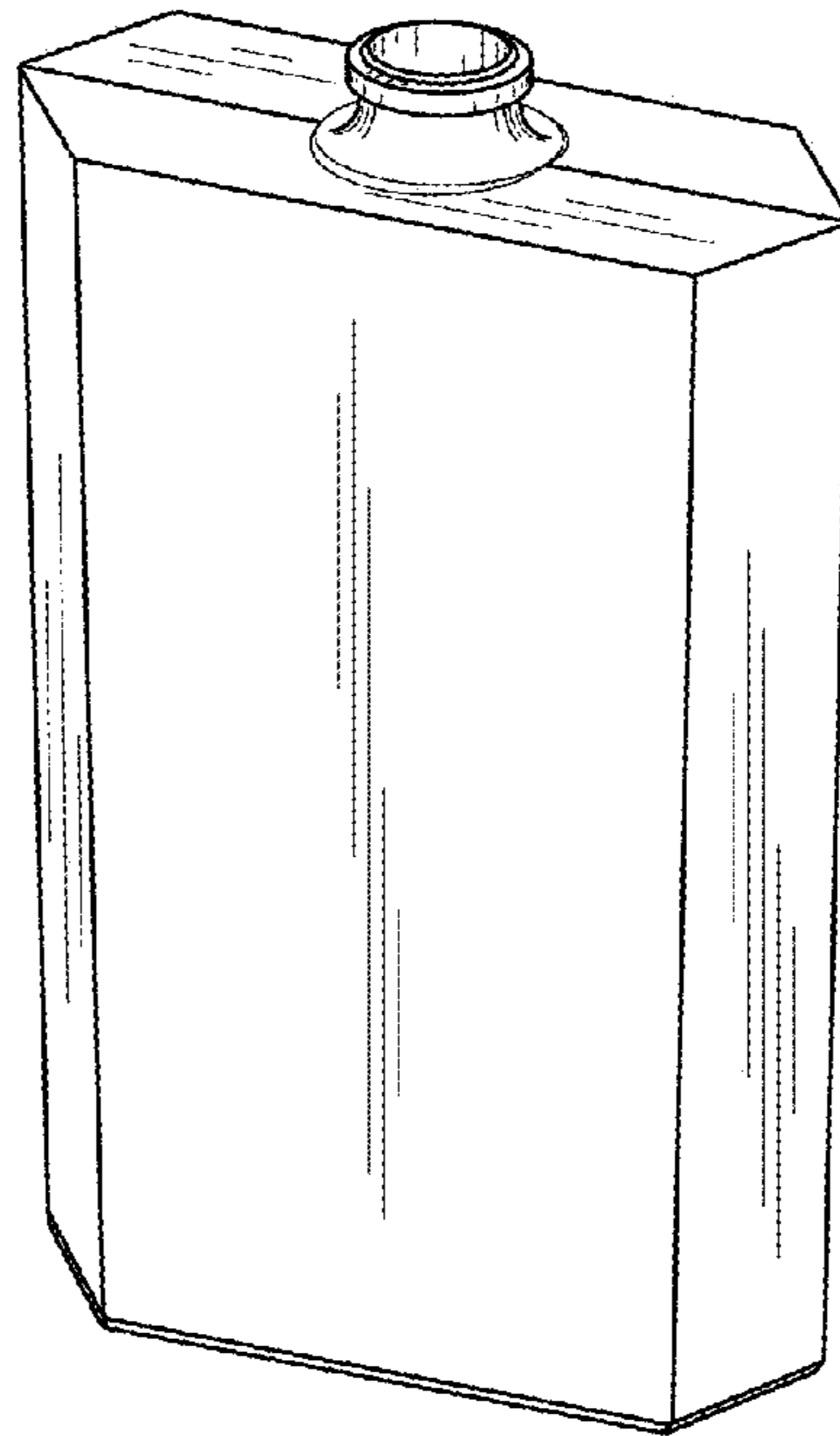


FIG. 5