



US00D764919S

(12) **United States Design Patent** (10) **Patent No.:** **US D764,919 S**
Damon et al. (45) **Date of Patent:** **** Aug. 30, 2016**

(54) **RAZOR PACKAGE**

(71) Applicant: **The Gillette Company**, Boston, MA (US)

(72) Inventors: **Todd Armand Damon**, Burlington, MA (US); **Andrew Anthony Markle**, New York, NY (US)

(73) Assignee: **The Gillette Company**, Boston, MA (US)

(**) Term: **14 Years**

(21) Appl. No.: **29/513,187**

(22) Filed: **Dec. 29, 2014**

(51) **LOC (10) Cl.** **09-03**

(52) **U.S. Cl.**
USPC **D9/457**; D9/499

(58) **Field of Classification Search**
USPC D9/434, 441, 447, 457, 643, 667, 748, D9/499; D11/24; D14/485, 489; D26/30, D26/31; 206/557, 775, 776; 215/379, 381, 215/382; 220/660, 669, 675; 229/87.08, 229/123.1, 123.3, 221

CPC B65D 2203/02; B65D 5/4233; G09F 3/02
See application file for complete search history.

(56) **References Cited**

U.S. PATENT DOCUMENTS

D602,772 S	*	10/2009	Suzuki	D9/434
D618,093 S	*	6/2010	Arnell	D9/434
D642,909 S	*	8/2011	Graham	D9/434
D644,119 S	*	8/2011	Giles	D24/224
D649,875 S	*	12/2011	Graham	D9/434
D662,414 S	*	6/2012	Graham	D9/434

D726,219 S	*	4/2015	Chaudhri	D14/489
D743,795 S	*	11/2015	Castan Artal	D9/499
D750,494 S	*	3/2016	Boston	D9/499
D752,981 S	*	4/2016	Dumville	D9/499

OTHER PUBLICATIONS

Graph Paper Hub. Download Free Perspective Printable Graph Paper; published by Amit Bhawani. Jul. 29, 2011 [earliest online date], [site visited Apr. 27, 2016]. Available from Internet, <URL:http://graphpaperhub.com/download-free-perspective-printable-graph-paper/>.*

Blogspot.alltheworstideas; Construction of a grid in central perspective by Joey Carr. Jun. 6, 2011 [earliest online date], [site visited Apr. 26, 2016]. Available from Internet, <URL:http://alltheworstideas.blogspot.com/2011/06/construction-of-grid-in-central.html>.*

* cited by examiner

Primary Examiner — Robert M Spear

Assistant Examiner — Darcey E Heflin

(74) *Attorney, Agent, or Firm* — Joanne N. Pappas; Kevin C. Johnson; Steve W. Miller

(57) **CLAIM**

The ornamental design for a razor package, as shown and described.

DESCRIPTION

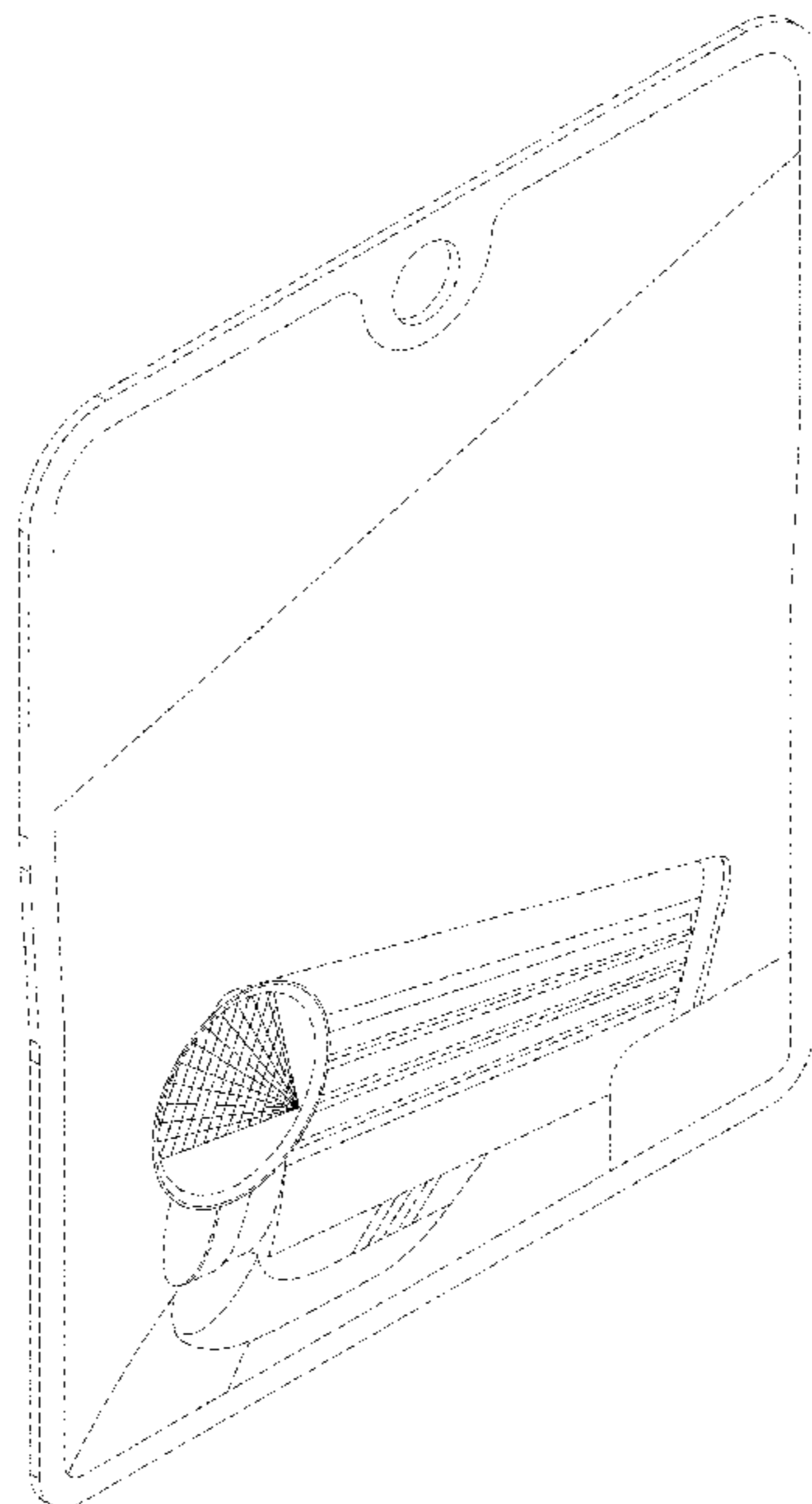
FIG. 1 is a perspective view of a razor package of the present invention; and,

FIG. 2 is a front view thereof.

Further, the broken lines are environmental subject matter shown for illustrative purposes only and form no part of the claimed design.

The claim comprises only the solid lines in the drawings.

1 Claim, 2 Drawing Sheets



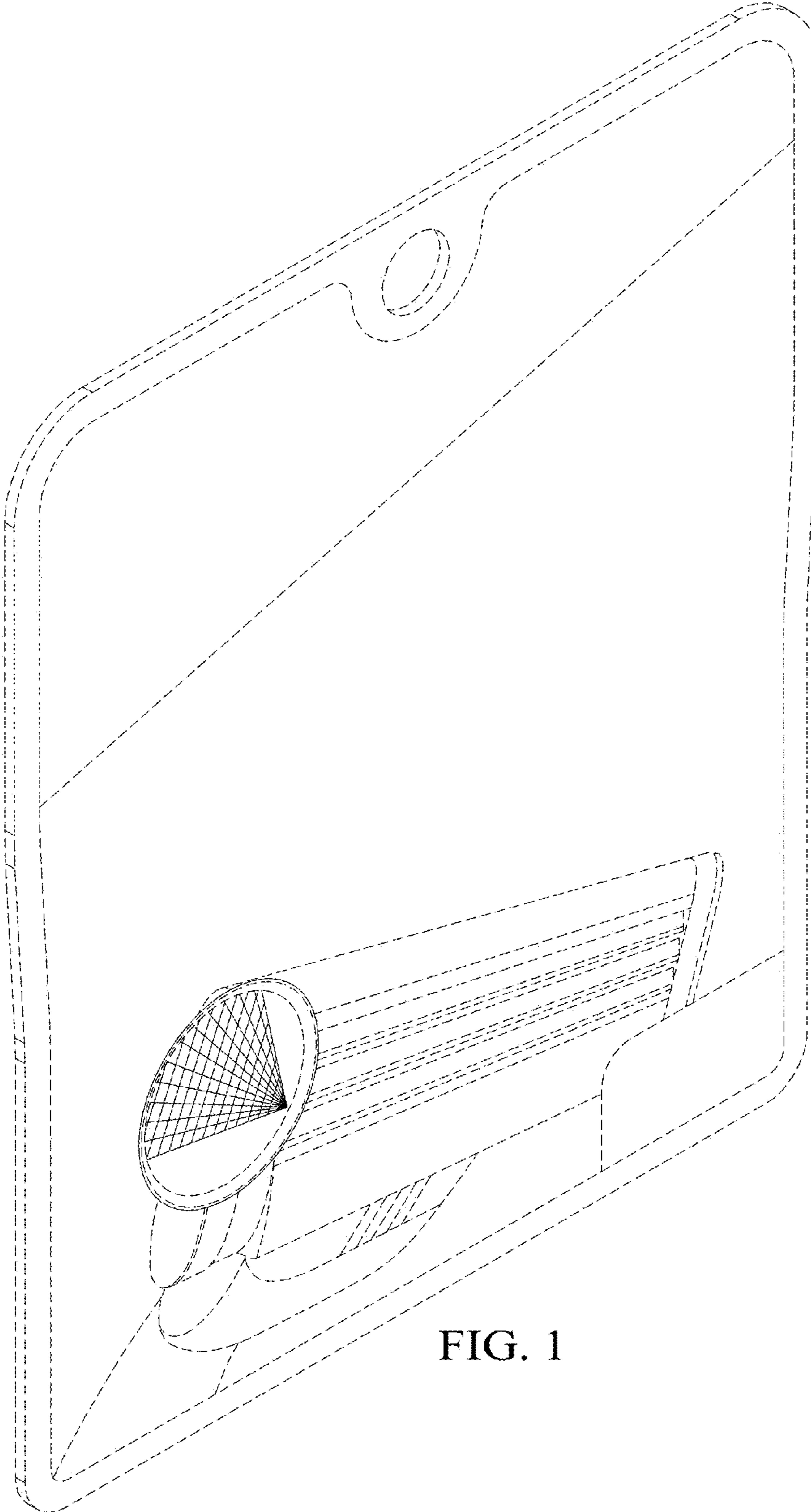


FIG. 1

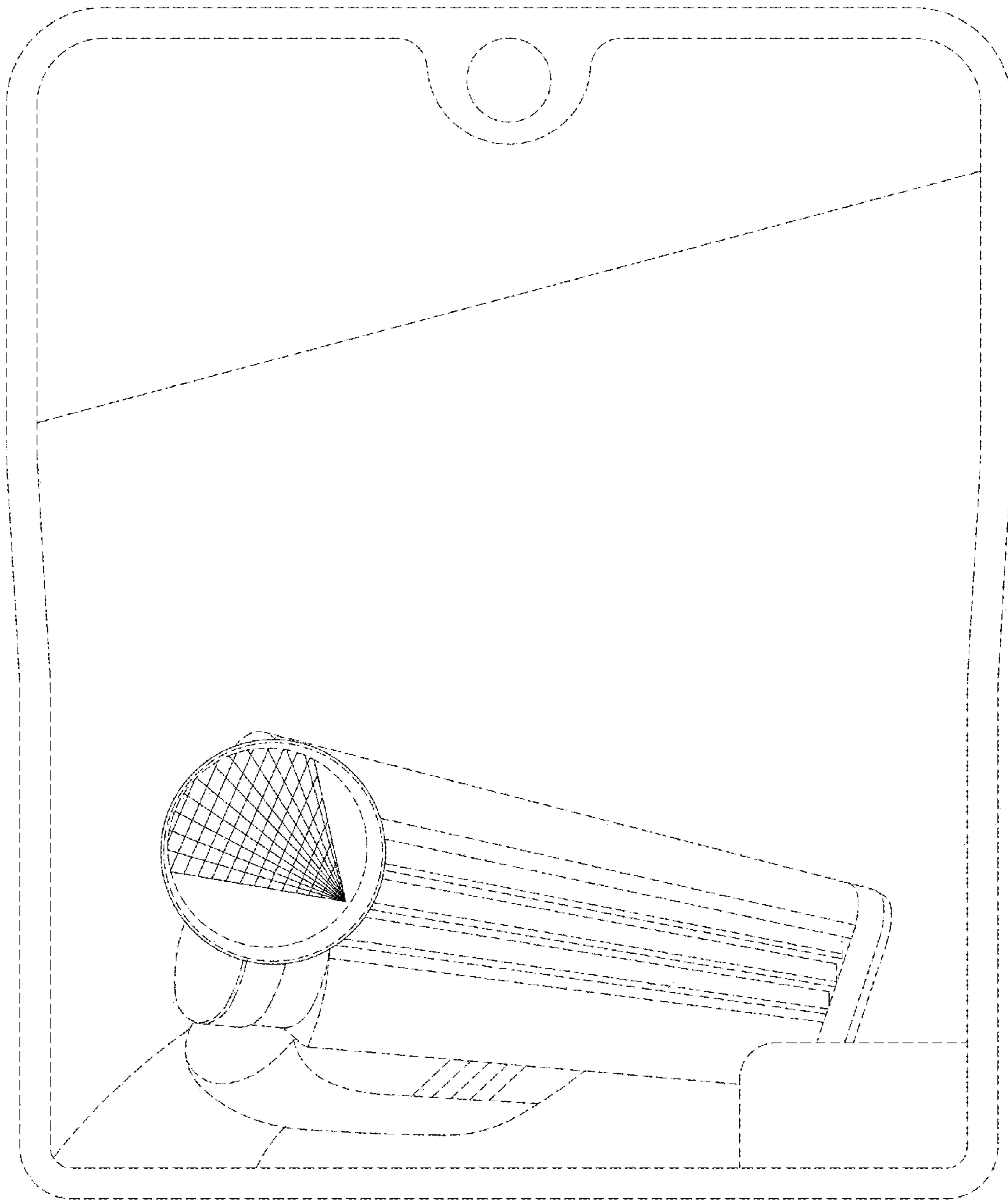


FIG. 2