



US00D764916S

(12) **United States Design Patent** (10) **Patent No.:** **US D764,916 S**  
**Mount, III et al.** (45) **Date of Patent:** **\*\* Aug. 30, 2016**

- (54) **BOTTLE HANDLE**
- (71) Applicants: **Guy Mount, III**, Wilsonville, OR (US);  
**Aaron Hartling**, Wilsonville, OR (US)
- (72) Inventors: **Guy Mount, III**, Wilsonville, OR (US);  
**Aaron Hartling**, Wilsonville, OR (US)
- (73) Assignee: **Icy-Hot Hydration LLC**, Wilsonville,  
OR (US)

|              |    |   |        |             |       |                        |
|--------------|----|---|--------|-------------|-------|------------------------|
| D332,379     | S  | * | 1/1993 | Murphy      | ..... | D7/391                 |
| D368,224     | S  | * | 3/1996 | Arndt       | ..... | D9/436                 |
| D392,432     | S  | * | 3/1998 | Henrie      | ..... | D32/40                 |
| 6,688,500    | B1 | * | 2/2004 | Cheng       | ..... | B05C 17/005<br>220/210 |
| D516,864     | S  | * | 3/2006 | Kleckauskas | ..... | D7/507                 |
| D596,490     | S  | * | 7/2009 | Kleckauskas | ..... | D9/535                 |
| D620,357     | S  | * | 7/2010 | Jewett      | ..... | D9/443                 |
| D677,119     | S  | * | 3/2013 | Ying        | ..... | D7/392.1               |
| D704,551     | S  | * | 5/2014 | Wycoff      | ..... | D9/434                 |
| 2012/0199548 | A1 | * | 8/2012 | Kitto       | ..... | B65D 55/16<br>215/316  |

(\*\*) Term: **15 Years**

\* cited by examiner

(21) Appl. No.: **29/528,655**

*Primary Examiner* — Karen S Acker

(22) Filed: **May 29, 2015**

*Assistant Examiner* — Wendy Arminio

(51) **LOC (10) Cl.** ..... **09-07**

(74) *Attorney, Agent, or Firm* — Schwabe Williamson & Wyatt

(52) **U.S. Cl.**

USPC ..... **D9/443**

(58) **Field of Classification Search**

USPC ..... D9/429, 434–436, 439–454, 499, 571,  
D9/600, 601, 614–617, 620, 623, 624, 628,  
D9/724; D7/387, 392, 393, 396.2, 510,  
D7/511, 514–517, 598, 599, 612.2, 623,  
D7/628; D3/202, 294, 318; D11/148  
CPC ..... A61J 1/1412; B65D 1/02; B65D 1/323;  
B65D 1/0246; B65D 25/40; B65D 25/42;  
B65D 25/44; B65D 41/56; B65D 41/62;  
B65D 47/06; B65D 47/08

See application file for complete search history.

(56) **References Cited**

**U.S. PATENT DOCUMENTS**

|           |   |   |         |          |       |                        |
|-----------|---|---|---------|----------|-------|------------------------|
| 2,038,392 | A | * | 4/1936  | Wandell  | ..... | B65D 49/04<br>215/21   |
| 3,216,865 | A | * | 11/1965 | Dickover | ..... | H01M 2/1205<br>429/163 |
| 4,004,722 | A | * | 1/1977  | Olivier  | ..... | A45F 5/1026<br>16/406  |

(57) **CLAIM**

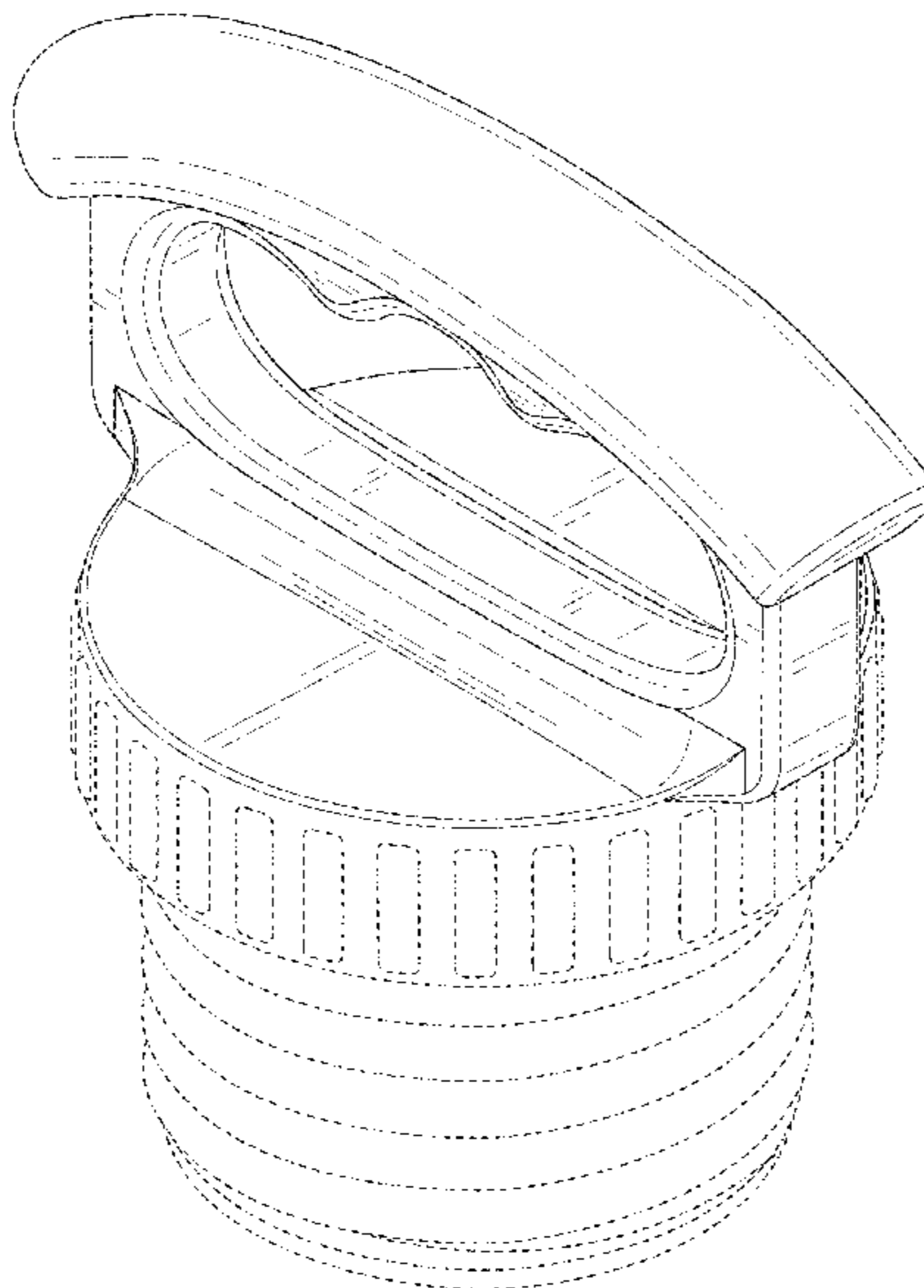
We claim an ornamental design for a bottle handle, as shown and described.

**DESCRIPTION**

FIG. 1 is a perspective view of a bottle handle, showing our new design;  
FIG. 2 is a front view thereof;  
FIG. 3 is a rear view thereof;  
FIG. 4 is a right side view thereof;  
FIG. 5 is a left side view thereof;  
FIG. 6 is a top view thereof;  
FIG. 7 is a bottom view thereof; and,  
FIG. 8 is a perspective view of the bottle handle, shown attached to a bottle.

The broken lines are included for illustrating environmental structure and form no part of the claimed design.

**1 Claim, 7 Drawing Sheets**



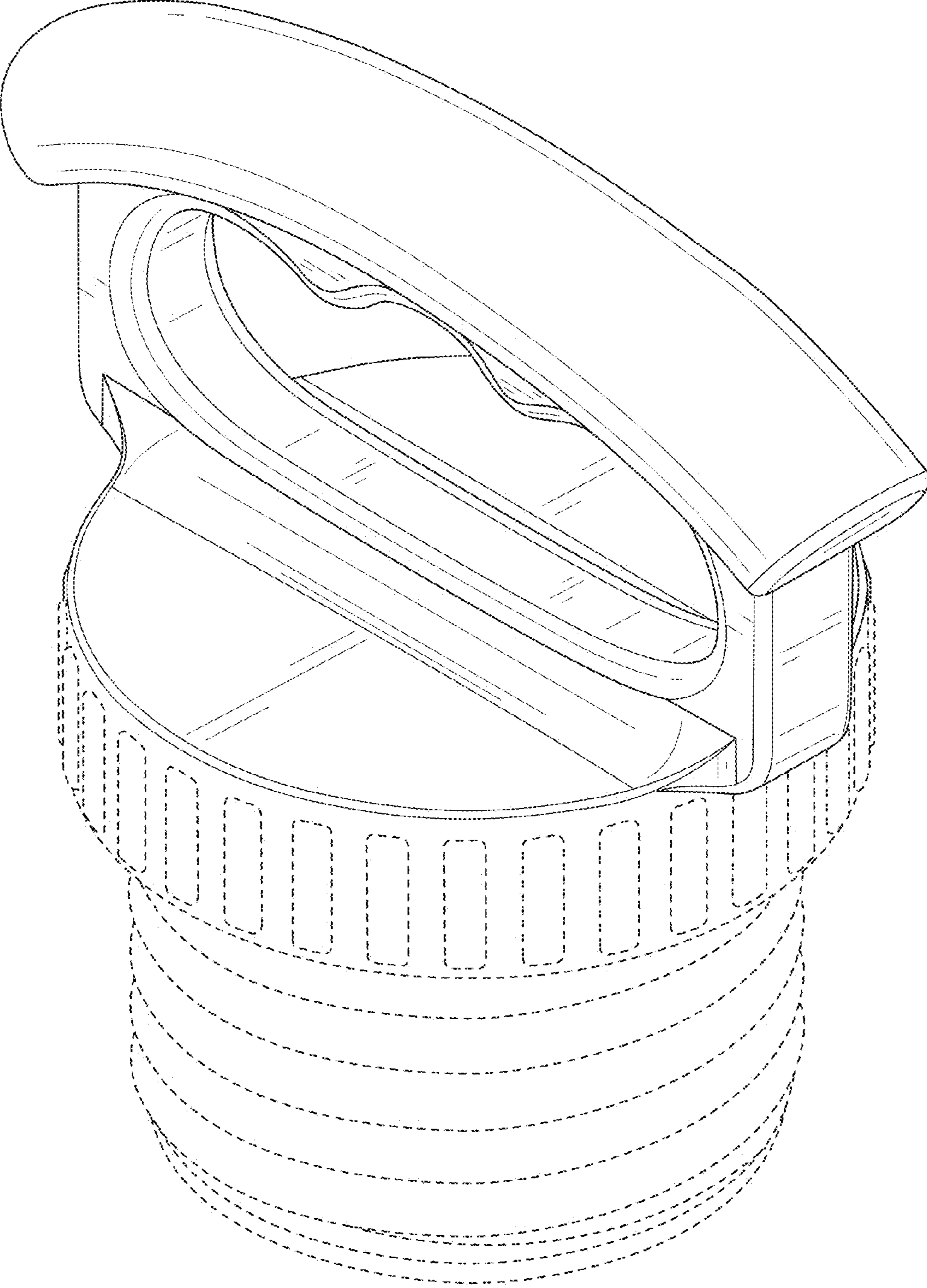


FIG. 1

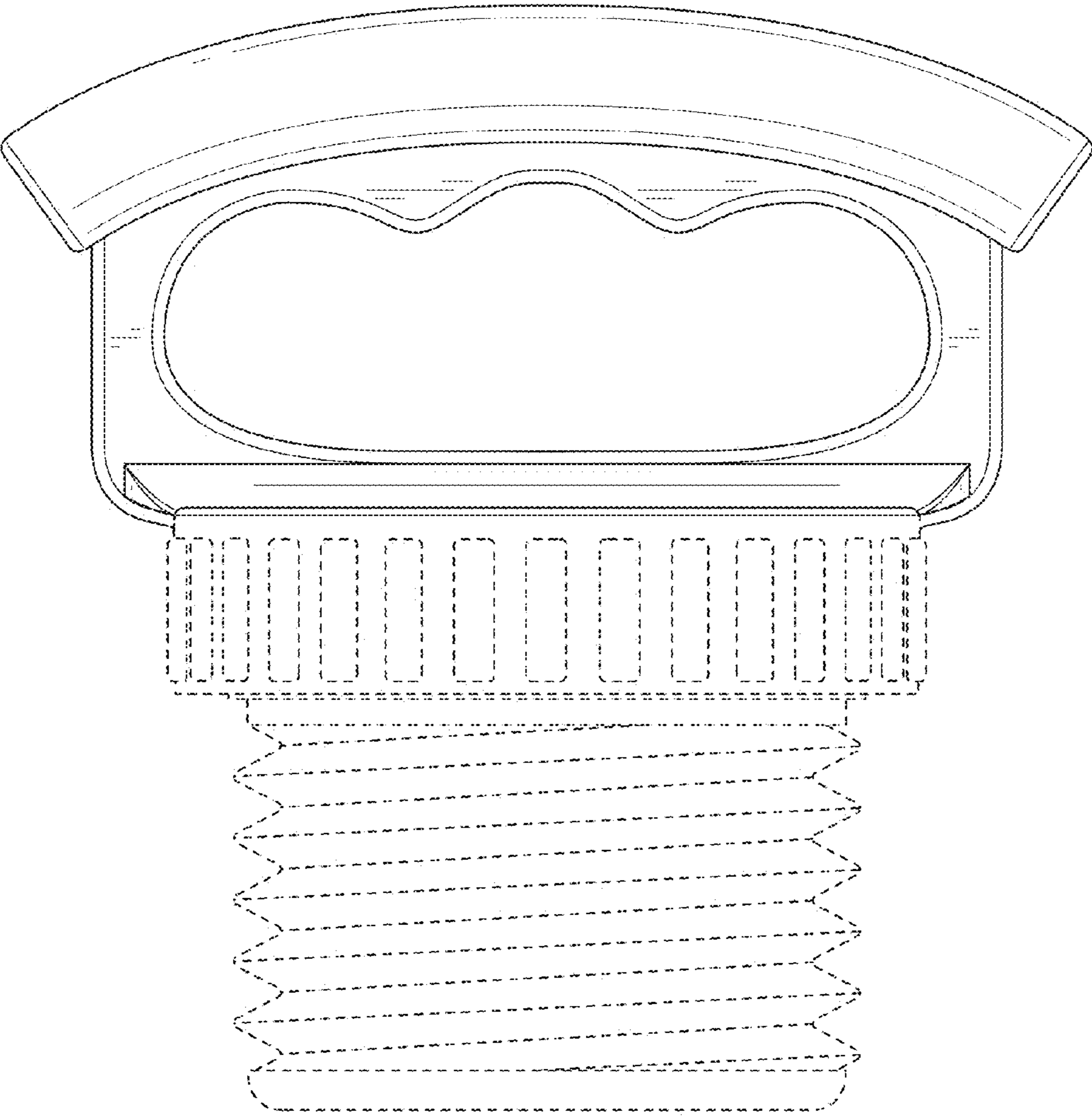


FIG. 2

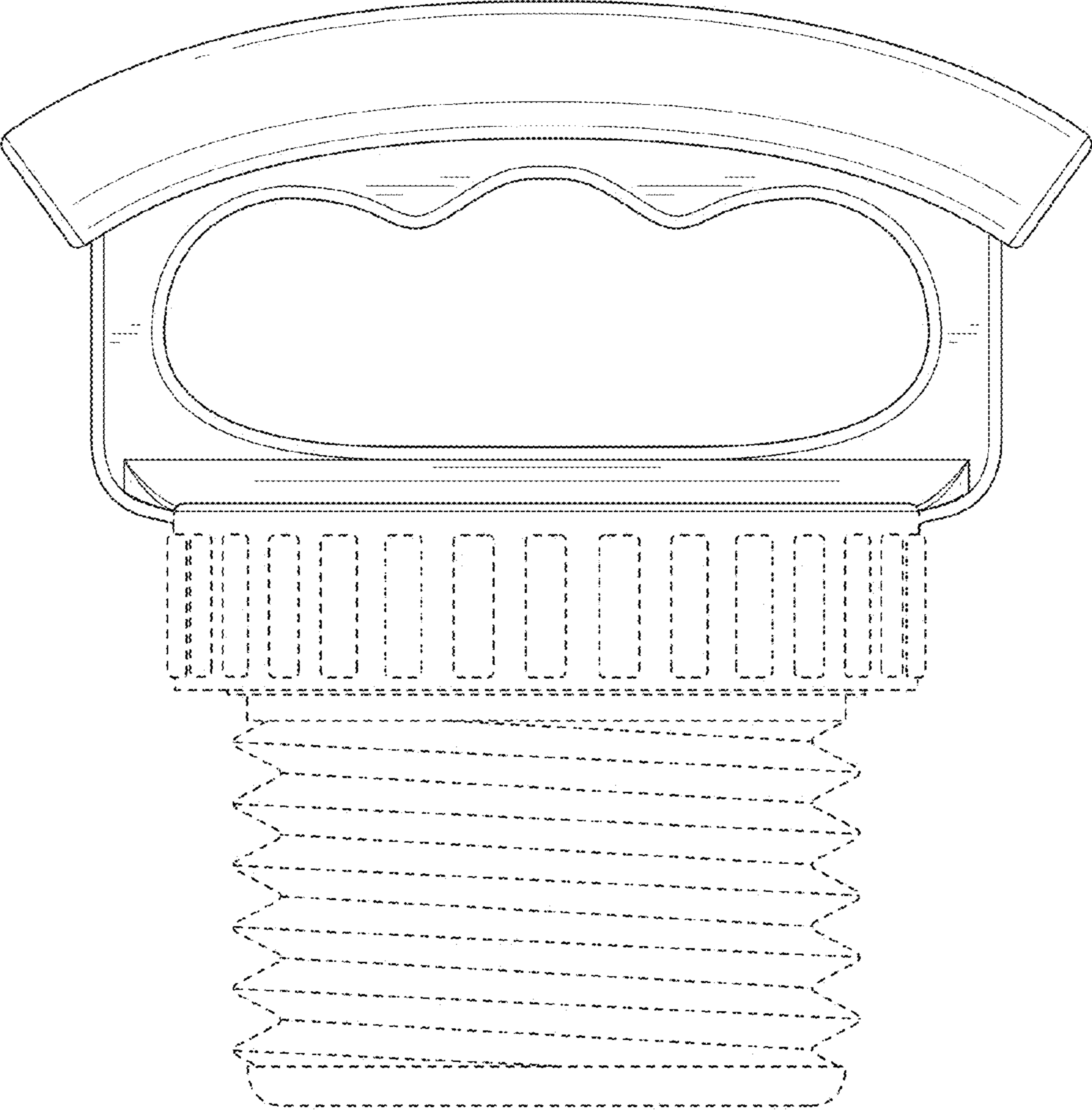


FIG. 3



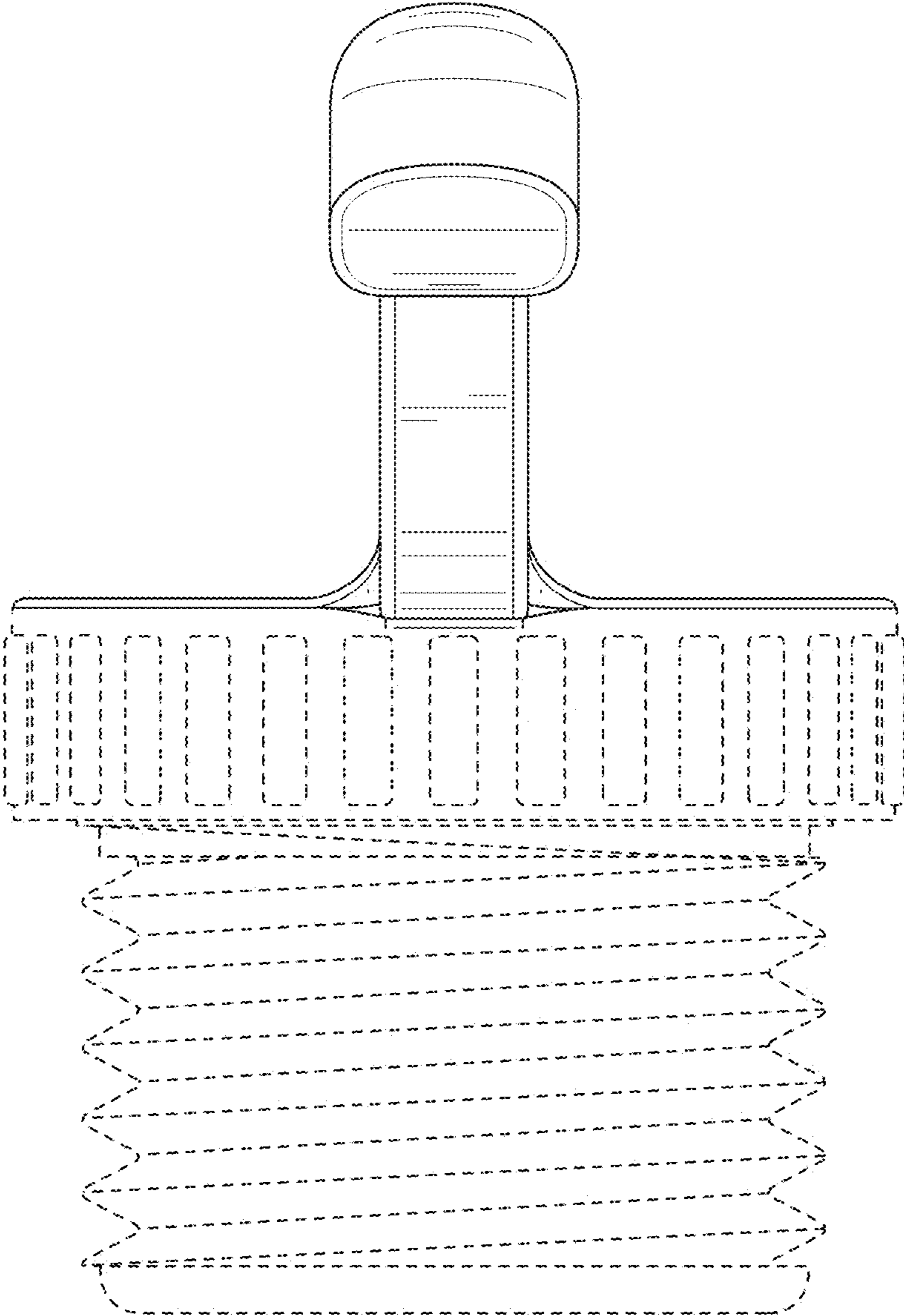


FIG. 4

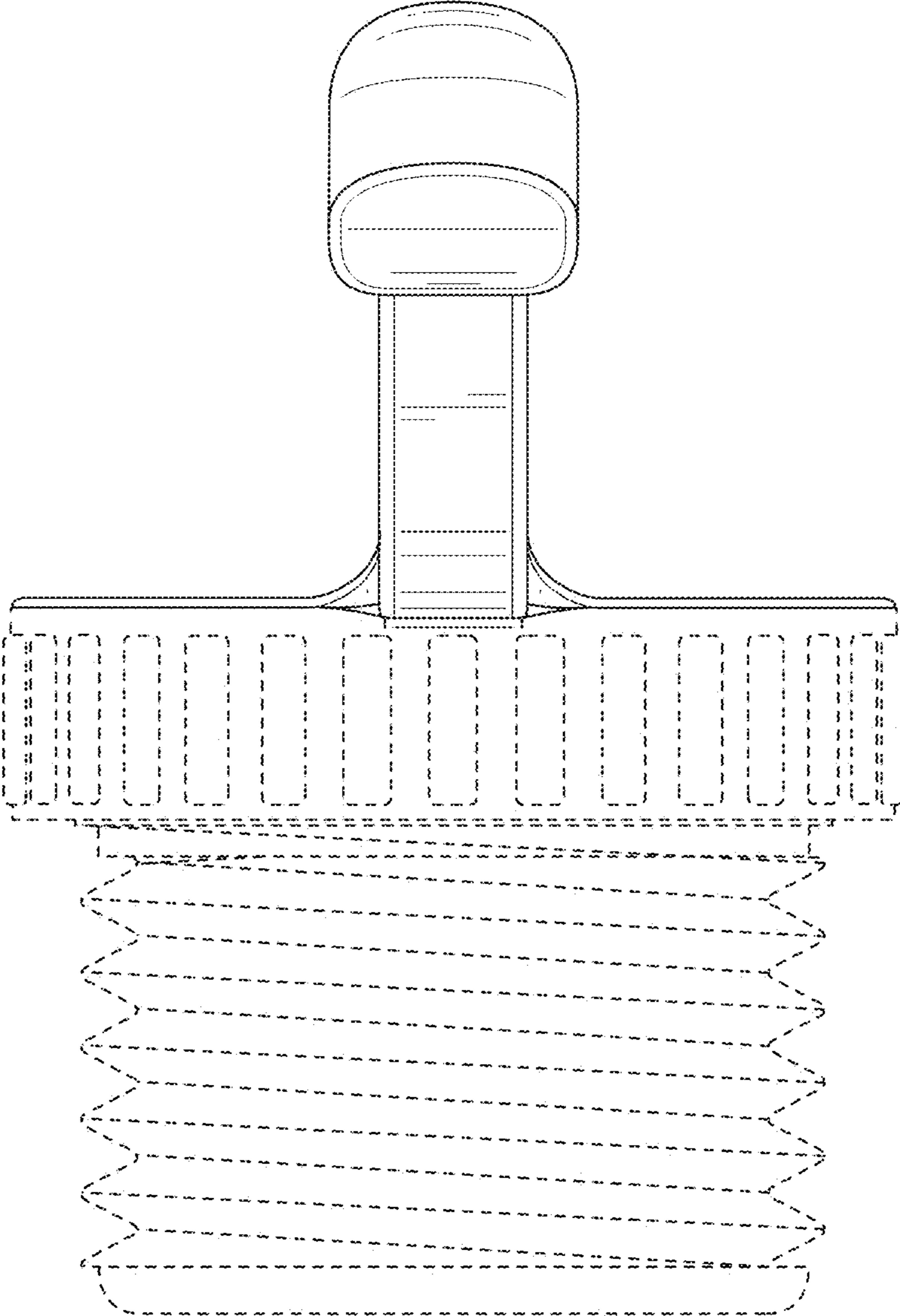


FIG. 5

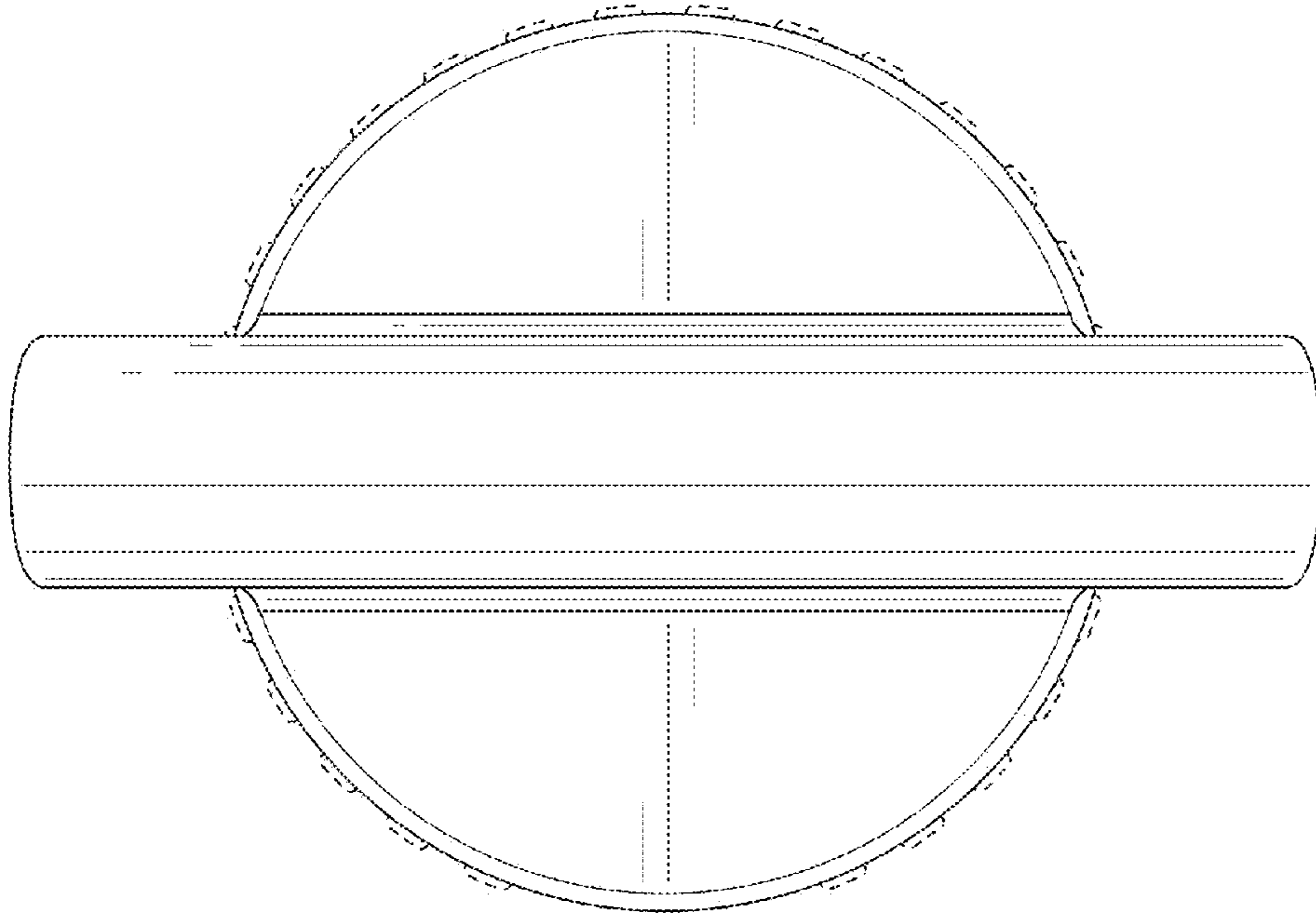


FIG. 6

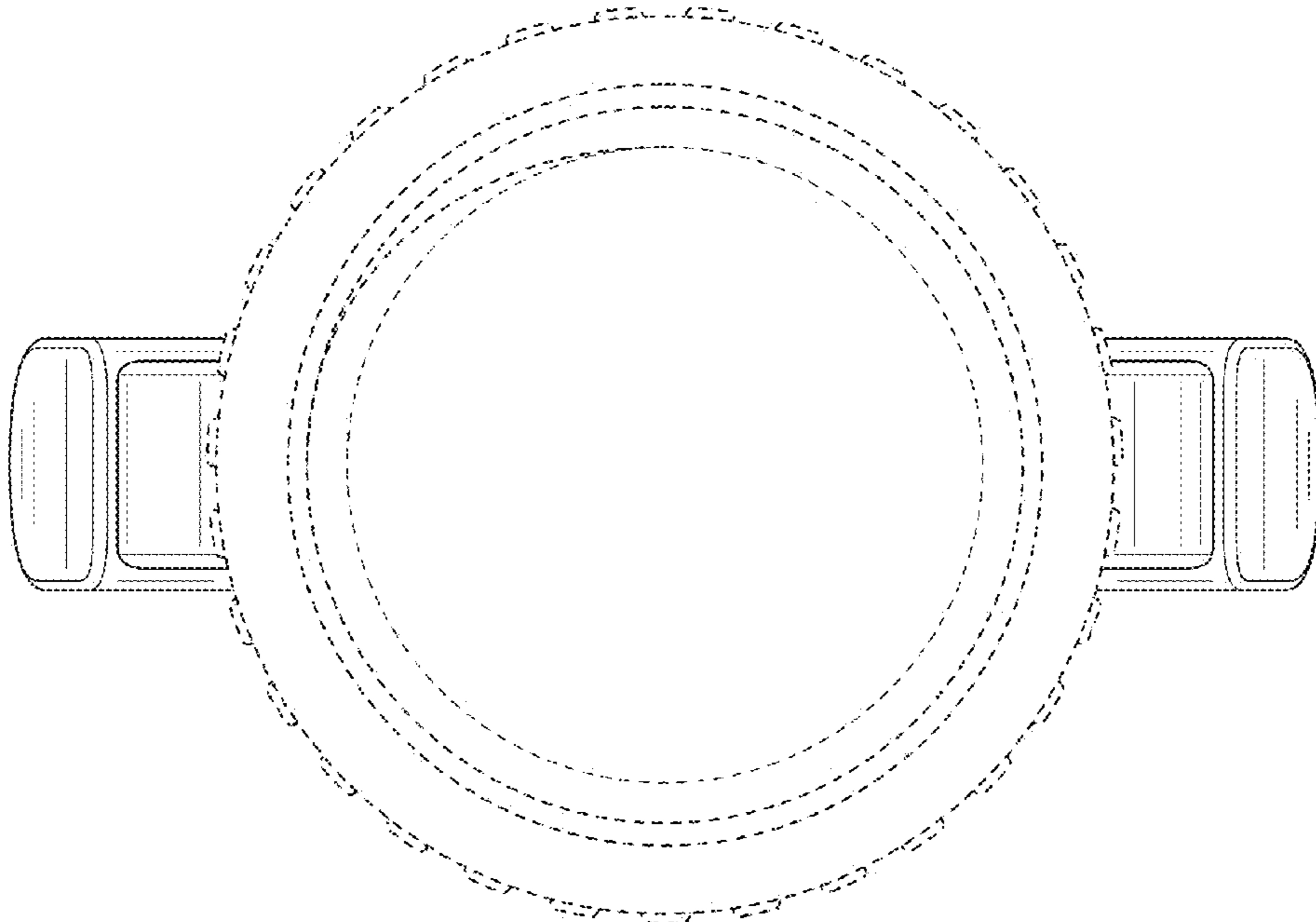


FIG. 7

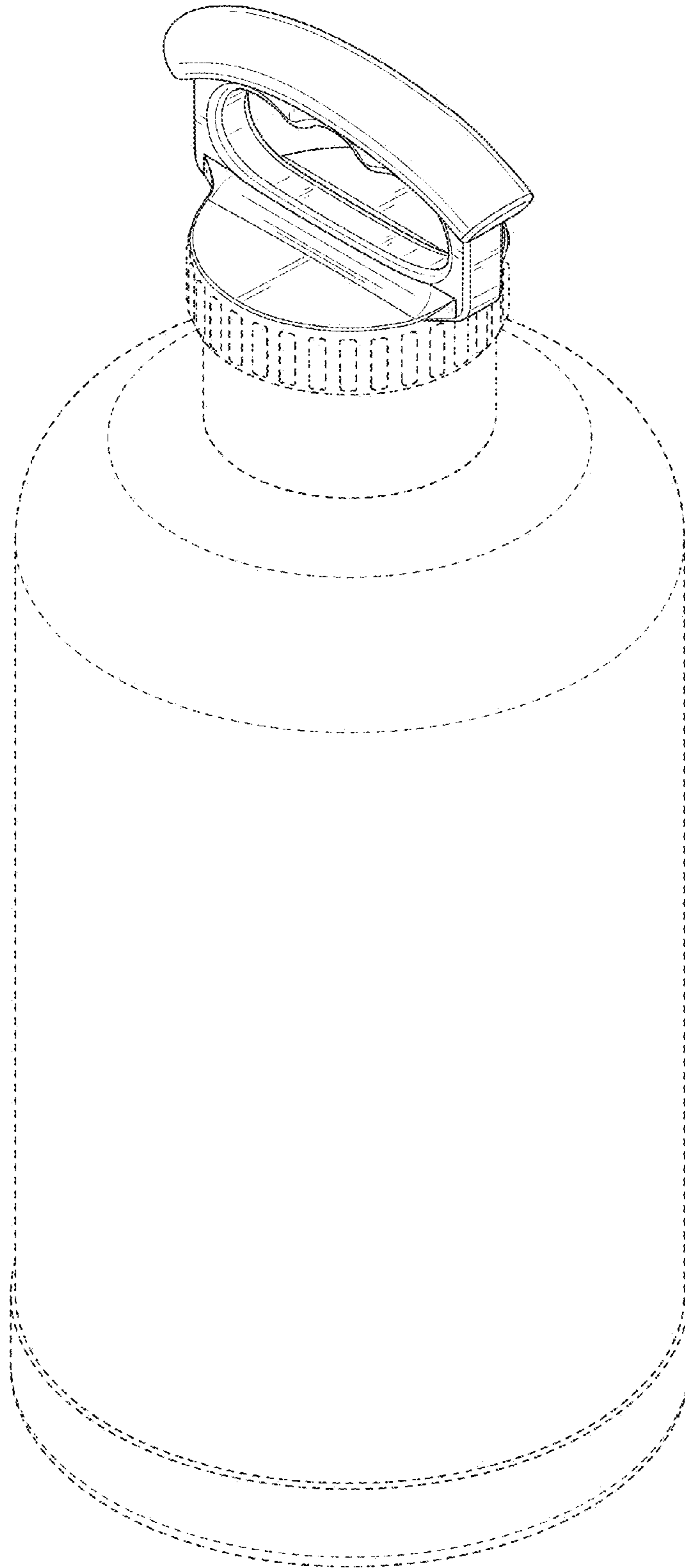


FIG. 8