

US00D764915S

(12) **United States Design Patent** (10) **Patent No.:** **US D764,915 S**
Schwartz et al. (45) **Date of Patent:** **** *Aug. 30, 2016**

(54) **SAFETY CLOSURE**
(71) Applicant: **Deutsche SiSi-Werke Betriebs GmbH**,
Eppelheim (DE)
(72) Inventors: **Erhard Schwartz**, Wiesloch (DE);
Christopher Schmitt, Weinheim (DE)
(73) Assignee: **Deutsche Sisi-Werke Betriebs GmbH**,
Eppelheim (DE)
(*) Notice: This patent is subject to a terminal dis-
claimer.
(**) Term: **14 Years**
(21) Appl. No.: **29/481,621**
(22) Filed: **Feb. 7, 2014**

Related U.S. Application Data

(63) Continuation of application No. 12/495,369, filed on
Jun. 30, 2009, now abandoned.

Foreign Application Priority Data

May 19, 2009 (DE) 20 2009 007 163

(51) **LOC (10) Cl.** **09-07**

(52) **U.S. Cl.**
USPC **D9/443**

(58) **Field of Classification Search**
USPC D9/434, 435, 436, 443, 445, 453, 454,
D9/455, 456, 702, 708, 709, 756, 759,
D9/761; D7/392.1, 396.2; 206/427, 529;
215/305; 222/109; 53/412
CPC B60K 15/0406; B65D 2543/00092;
B65D 2543/00537; B65D 2543/00111;
B65D 51/242; B65D 41/04; B65D 81/366
See application file for complete search history.

(56) **References Cited**

U.S. PATENT DOCUMENTS

866,318 A 9/1907 Wilson
1,423,464 A 7/1922 Shaw
4,502,616 A 3/1985 Meierhoefer
4,512,475 A 4/1985 Federighi

(Continued)

FOREIGN PATENT DOCUMENTS

DE 102005028992 A1 1/2007
EP 2033906 A1 3/2009

(Continued)

OTHER PUBLICATIONS

English language translation of Office Action issued on Jul. 30, 2012
in Korean Patent Appln. No. 10-2010-0045951.

(Continued)

Primary Examiner — Robert M Spear

(74) *Attorney, Agent, or Firm* — Strook & Strook & Lavan
LLP

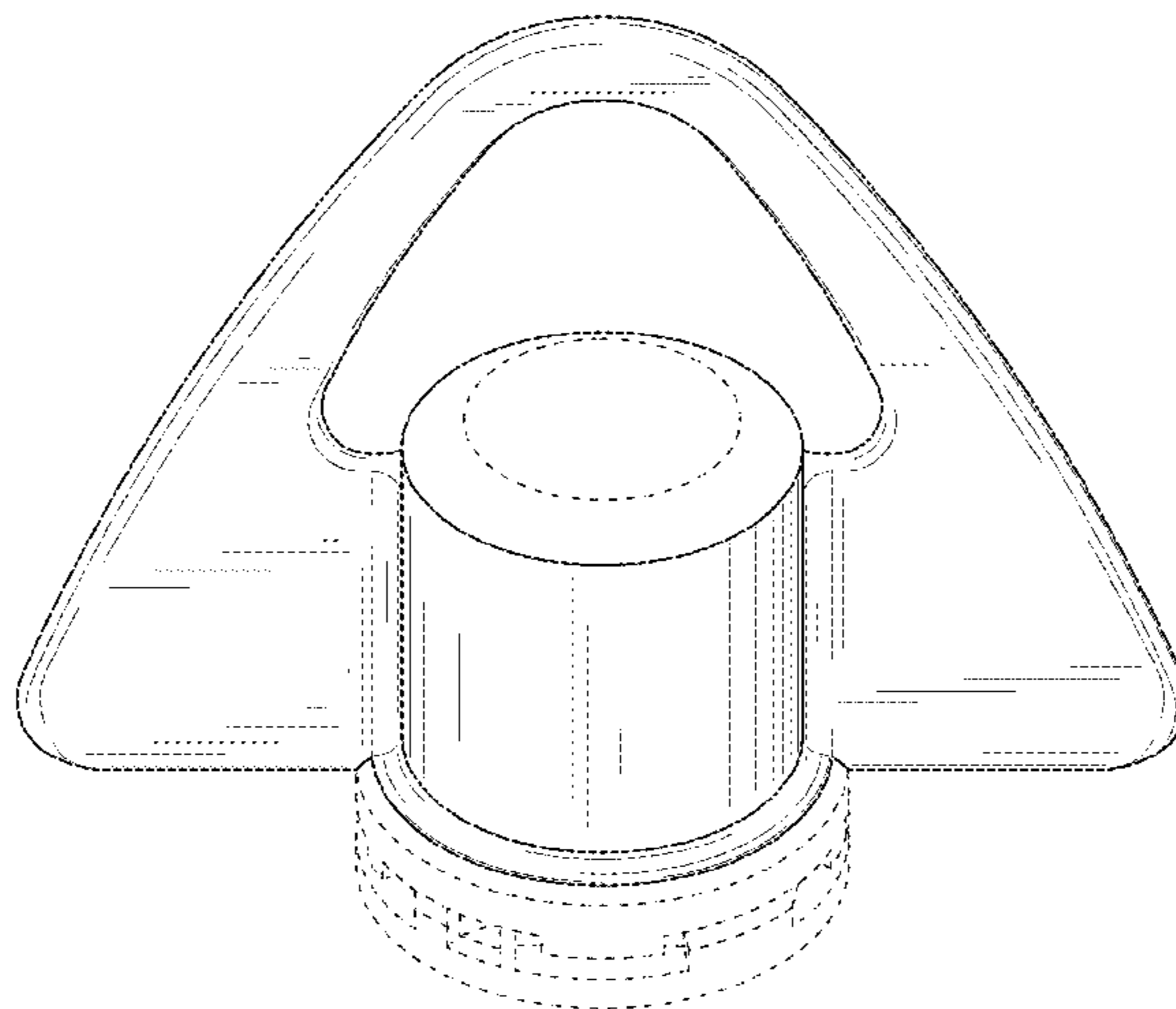
(57) **CLAIM**

The ornamental design for a safety closure, as shown and
described.

DESCRIPTION

FIG. 1 is a perspective view of the front side of a safety
closure for a container in accordance with the invention;
FIG. 2 is a front elevational view thereof;
FIG. 3 is a rear elevational view thereof;
FIG. 4 is a left side elevational view thereof;
FIG. 5 is a right side elevational view thereof;
FIG. 6 is a top plan view thereof; and,
FIG. 7 is a bottom plan view thereof.
The broken lines shown in the drawings are to illustrate
environmental features only and form no part of the claimed
design.

1 Claim, 4 Drawing Sheets



(56)

References Cited

U.S. PATENT DOCUMENTS

4,664,278 A 5/1987 Barriac
4,792,060 A 12/1988 Brogli
4,981,228 A 1/1991 Kahn
5,184,740 A 2/1993 Mandrell et al.
5,577,636 A 11/1996 Fukuoka et al.
5,588,552 A 12/1996 Johnson
5,908,124 A 6/1999 Klauke et al.
5,944,206 A 8/1999 Culter et al.
D482,607 S 11/2003 McRae
6,799,699 B1 10/2004 LeMarr et al.
6,874,665 B2 4/2005 Doherty et al.
6,991,140 B2 1/2006 Bourque et al.
7,540,389 B2 6/2009 Fontana
D631,346 S 1/2011 Schwartz et al.
D638,720 S 5/2011 Schwartz et al.
2003/0222047 A1 12/2003 McRae
2004/0238564 A1 12/2004 Bourque et al.

2008/0041810 A1 2/2008 Itoh et al.
2010/0294773 A1 11/2010 Schwartz et al.
2014/0151375 A1* 6/2014 Schwartz et al. 220/288

FOREIGN PATENT DOCUMENTS

FR 1404567 7/1965
JP 2006-526545 A 11/2006
KR 10-2004-0096995 A 11/2004
KR 10-2007-0045317 A 5/2007
WO 99/57034 11/1999
WO 03/039985 5/2003

OTHER PUBLICATIONS

Search Report, dated Jun. 11, 2010, in European Patent Appln. No. 10163268.5, filed on May 19, 2010.
Office Action, dated Sep. 8, 2011, in Canadian Patent Appln. No. 2,701,415, filed on Apr. 26, 2010.

* cited by examiner

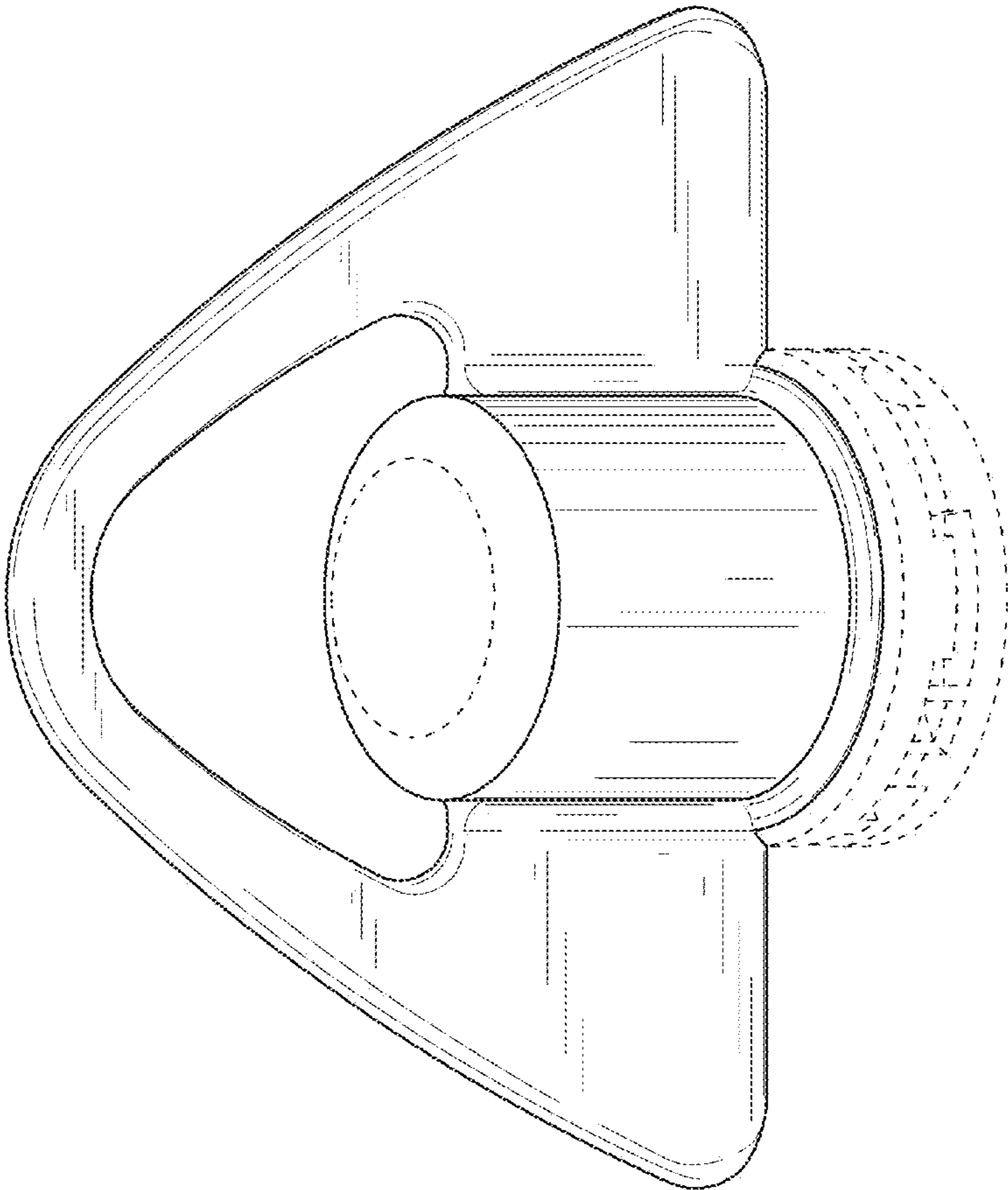


Fig. 1

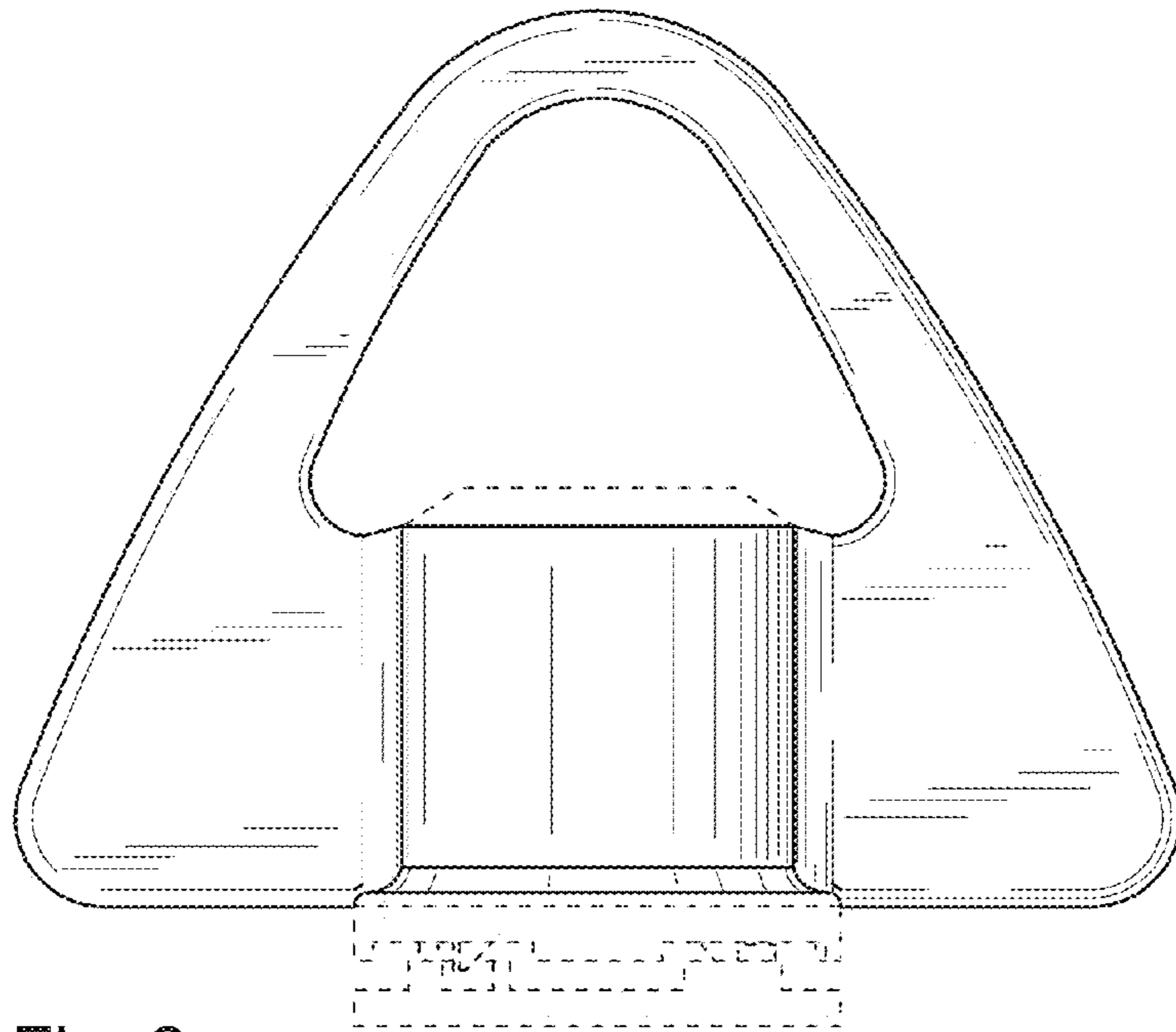


Fig. 2

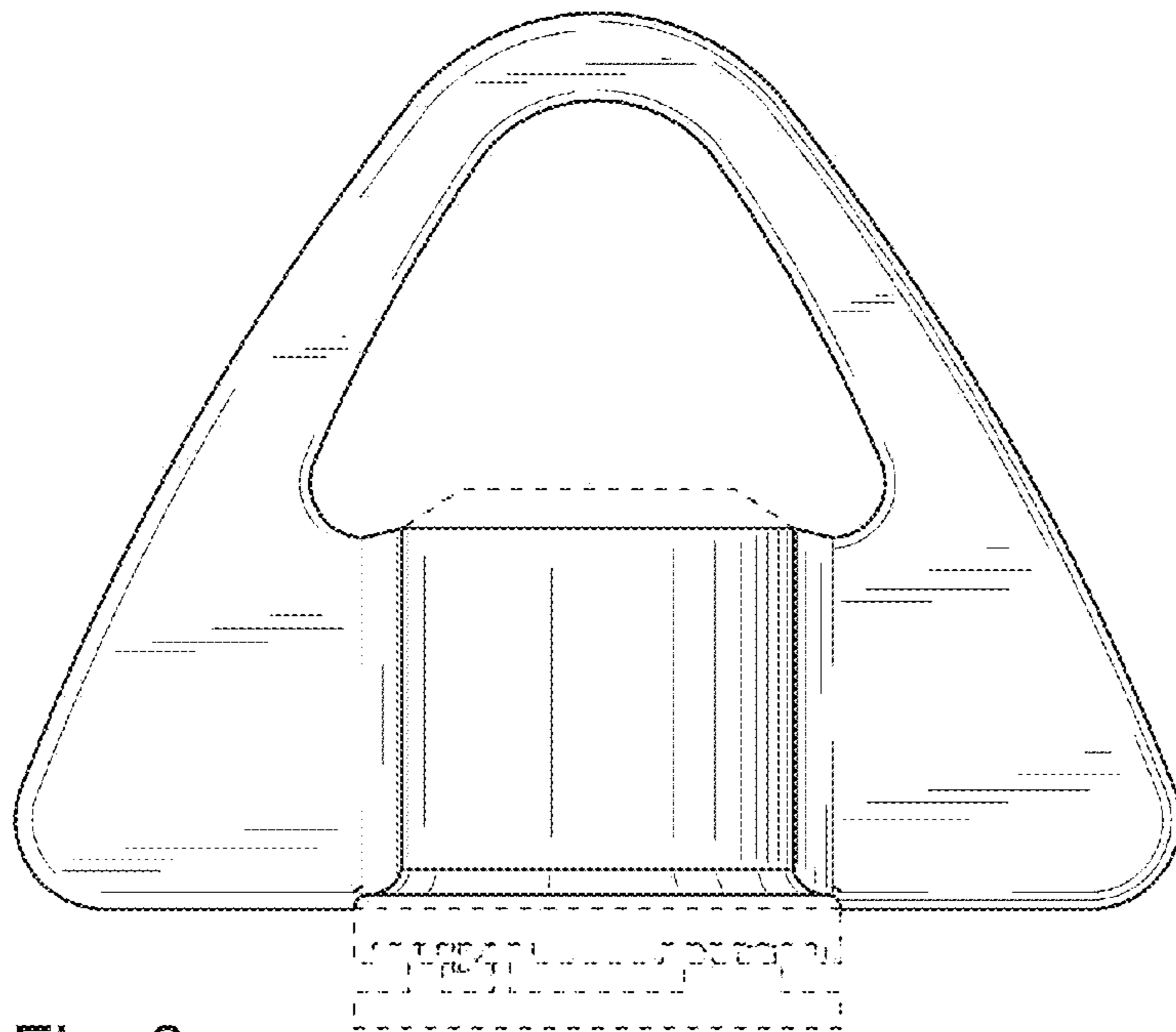


Fig. 3

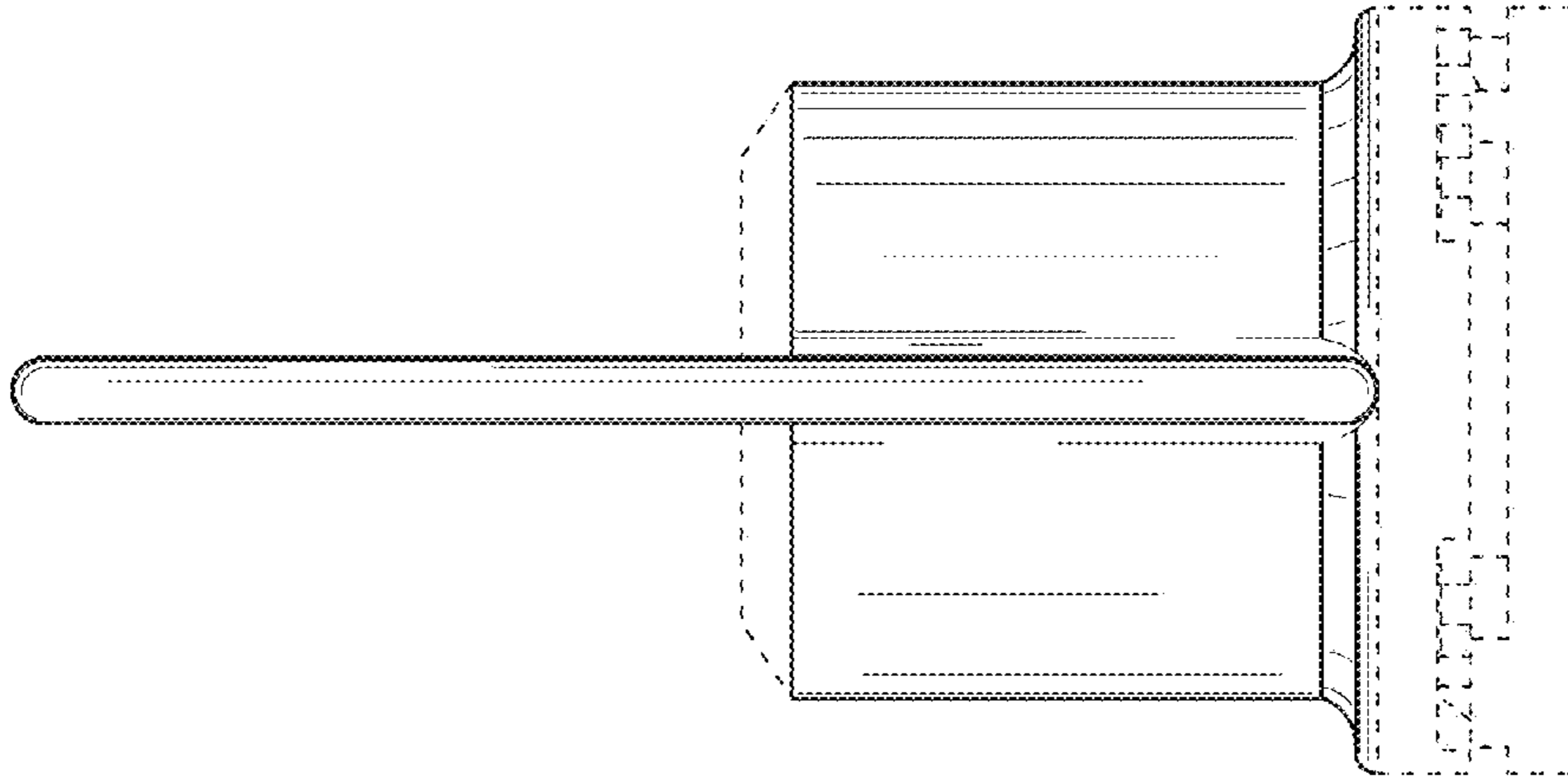


Fig. 5

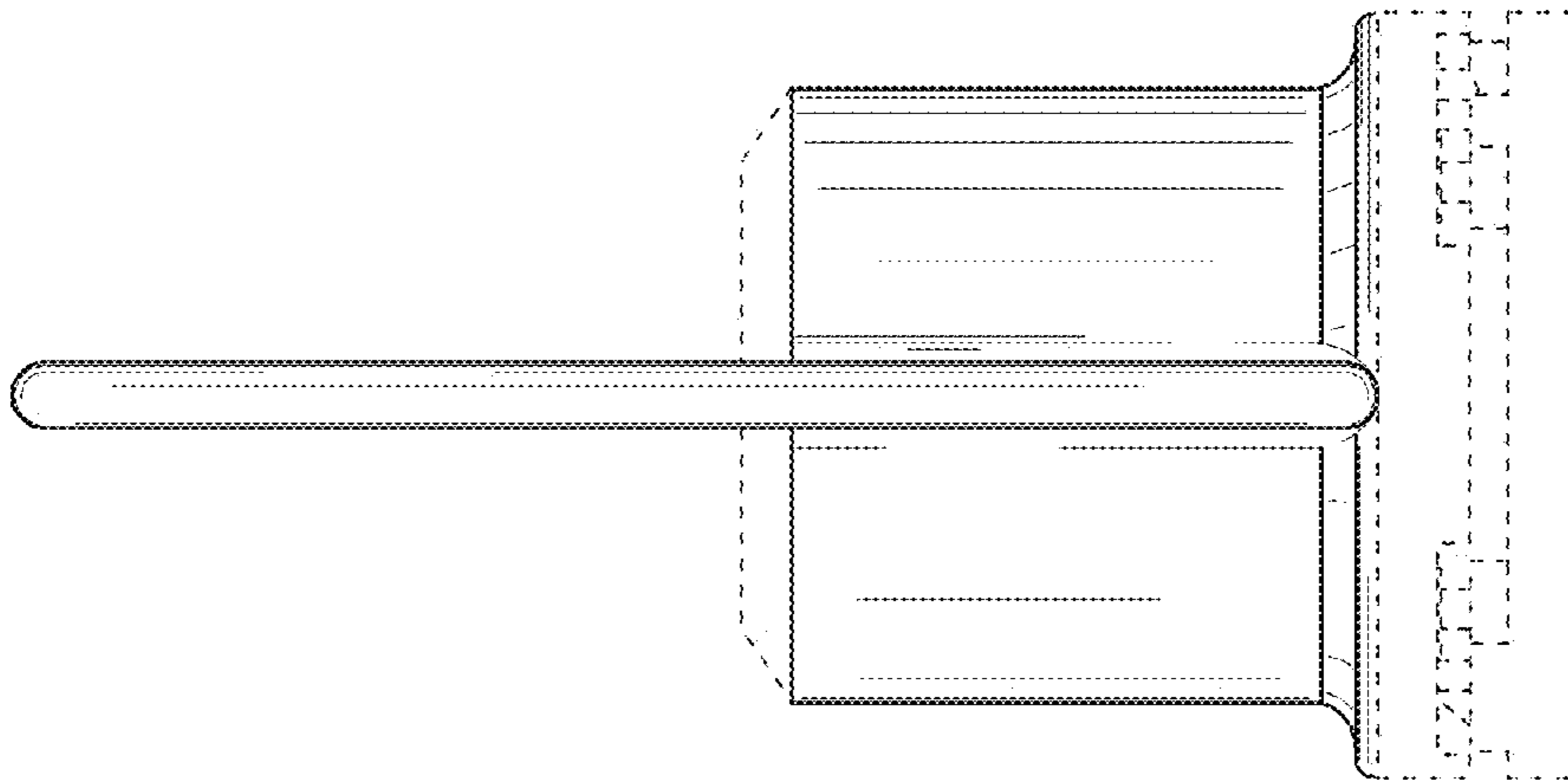


Fig. 4

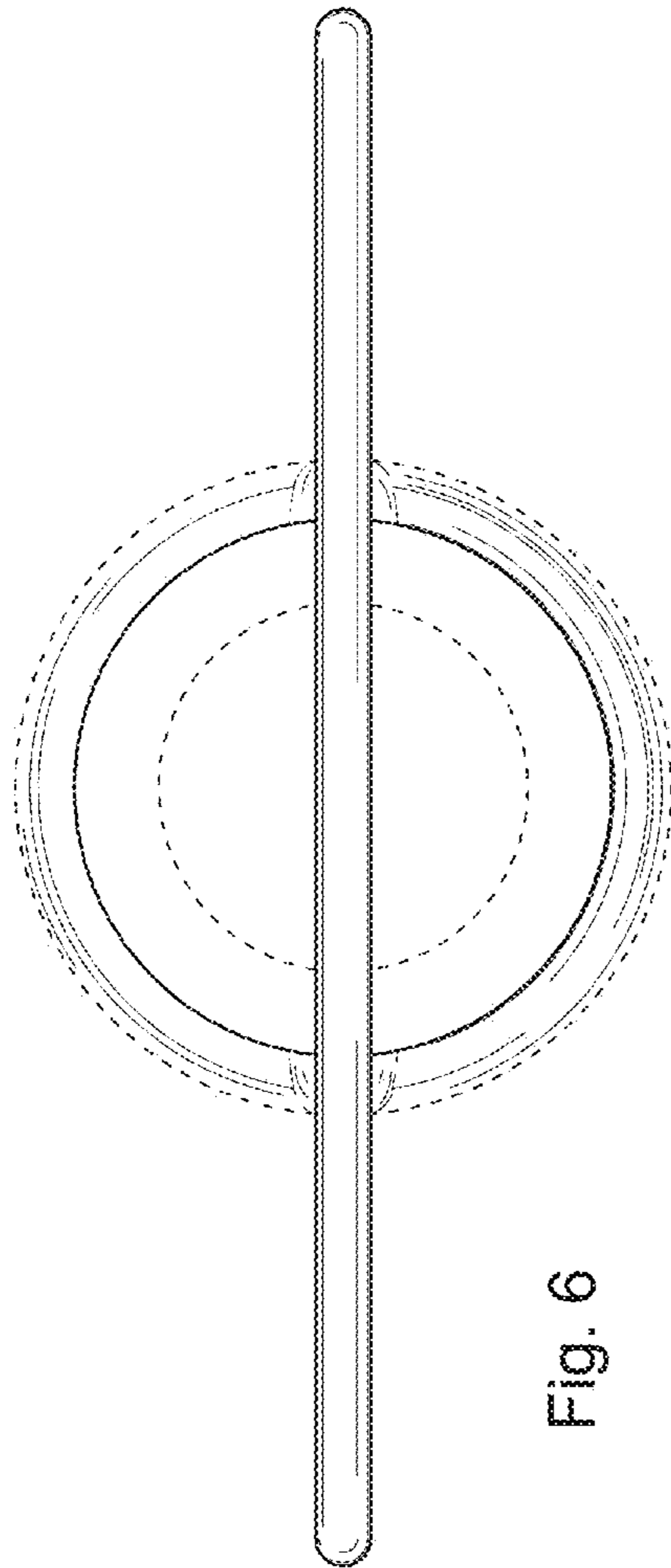


Fig. 6

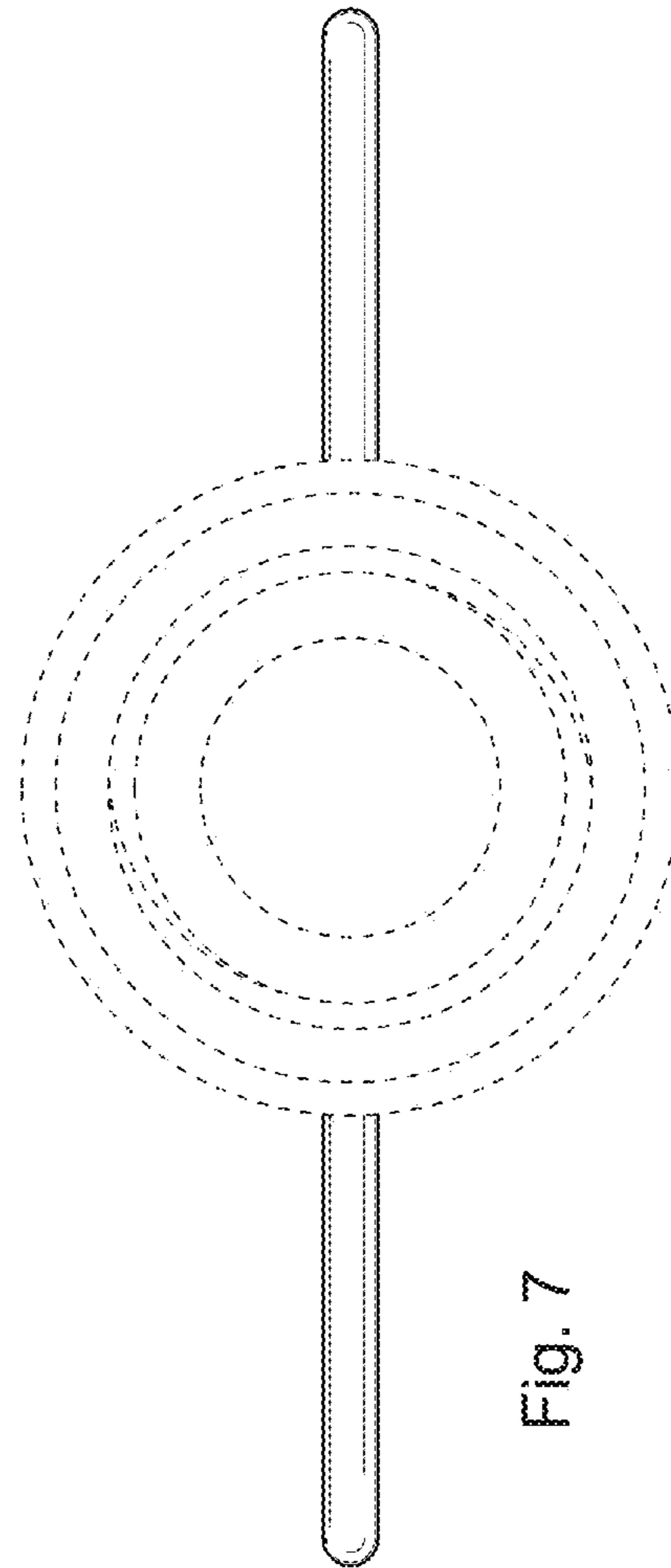


Fig. 7