



US00D764914S

(12) **United States Design Patent**  
**Sanfilippo et al.**

(10) **Patent No.:** **US D764,914 S**

(45) **Date of Patent:** **\*\* Aug. 30, 2016**

(54) **PACKAGE**

(71) Applicant: **CLEAR LAM PACKAGING, INC.**,  
Elk Grove Village, IL (US)

(72) Inventors: **James J. Sanfilippo**, Barrington Hills,  
IL (US); **Milorad Radenovic**, Chicago,  
IL (US)

(73) Assignee: **CLEAR LAM PACKAGING, INC.**,  
Elk Grove Village, IL (US)

(\*\*) Term: **14 Years**

(21) Appl. No.: **29/472,440**

(22) Filed: **Nov. 12, 2013**

(51) **LOC (10) Cl.** ..... **09-07**

(52) **U.S. Cl.**  
USPC ..... **D9/435; D9/449**

(58) **Field of Classification Search**  
USPC ..... D11/95, 99; D5/20, 63; D9/414, 415,  
D9/423, 424, 425, 432, 433, 434, 435, 759,  
D9/760, 770; D19/1, 27; 206/775, 776,  
206/557, 823; D7/546, 549, 602, 550.1,  
D7/703; 229/87.08, 123.1, 123.3, 221  
CPC ..... B65D 5/4204; B65D 15/08; B65D 1/34;  
B65D 65/22; B65D 2577/205; B65D 5/706;  
B65D 5/705; A45D 40/22

See application file for complete search history.

(56) **References Cited**

**U.S. PATENT DOCUMENTS**

664,316 A *	12/1900	Crump	229/123.3
2,017,176 A	10/1935	Andrews	
2,041,227 A	5/1936	Chalmers	
2,048,122 A	7/1936	Howard	
2,092,858 A	9/1937	Richard	
2,180,841 A	11/1939	Vogt	
2,328,579 A	9/1943	Pelosi	
2,339,156 A	1/1944	Duane	

2,352,766 A	7/1944	Bogue
2,385,898 A	10/1945	Waters
2,416,332 A	2/1947	Lehman
2,508,962 A	5/1950	Moore
2,524,766 A	10/1950	Carroll
2,619,226 A	11/1952	Adams

(Continued)

**FOREIGN PATENT DOCUMENTS**

EP	1106508 A1	6/2001
EP	1508531 A1	2/2005

(Continued)

**OTHER PUBLICATIONS**

Reynolds, "Doritos Gamer Packs function on multiple levels",  
Packaging World (Nov. 14, 2013).

(Continued)

*Primary Examiner* — Robert M Spear  
*Assistant Examiner* — Marissa J Cash

(74) *Attorney, Agent, or Firm* — Marshall, Gerstein &  
Borun LLP

(57) **CLAIM**

The ornamental design for a package, as shown and  
described.

**DESCRIPTION**

FIG. 1 is a top, front-side, and front view of a package that  
has the new design.

FIG. 2 is a front elevation view of the package.

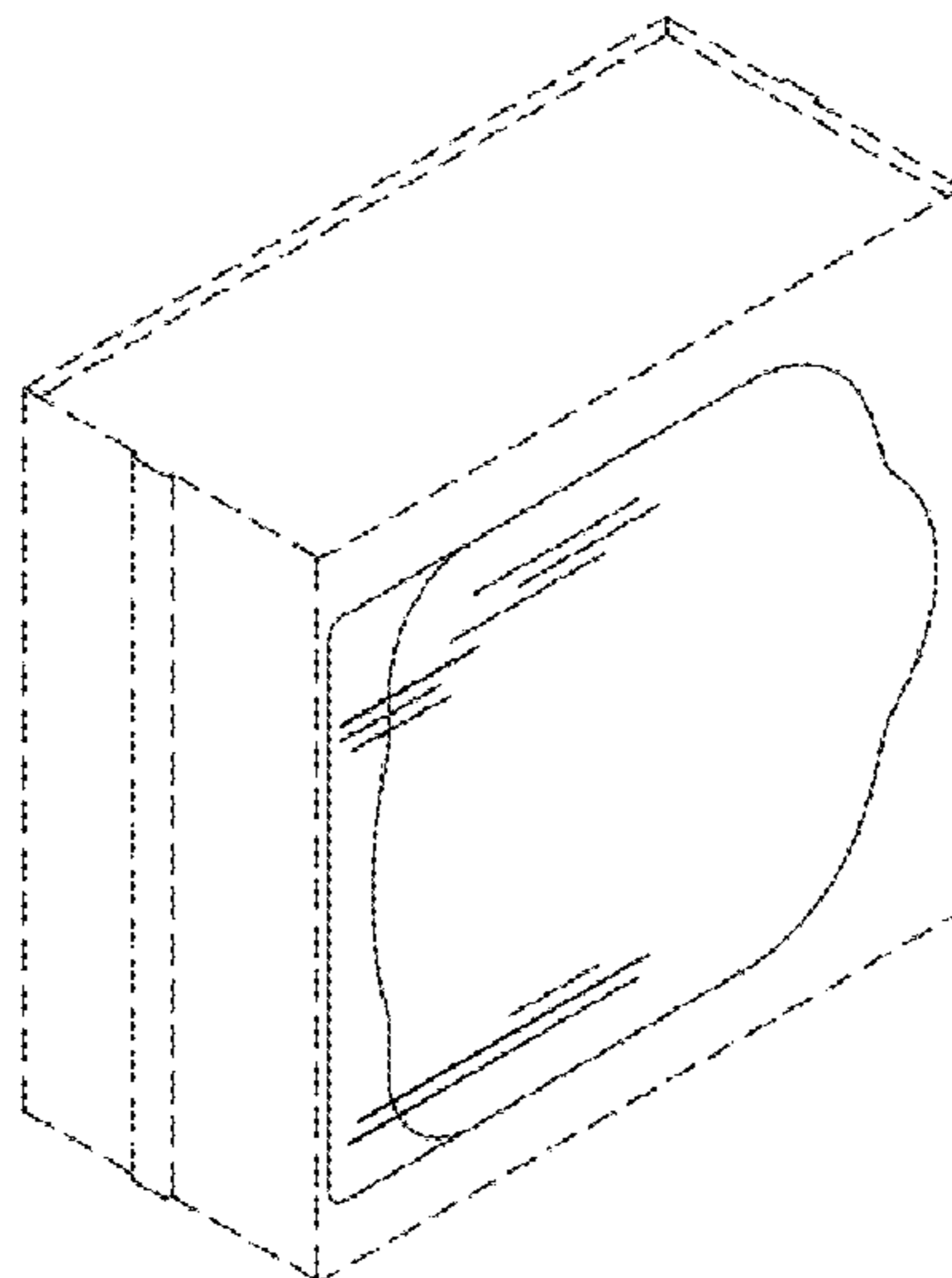
FIG. 3 is a rear elevation view of the package.

FIG. 4 is a top plan view of the package. The bottom plan  
view is the same; and,

FIG. 5 is a side elevation view of the package. The opposite  
side elevation view is a mirror image of this view.

The broken lines show elements of the package that form no  
part of the claimed design.

**1 Claim, 5 Drawing Sheets**



(56)

## References Cited

U.S. PATENT DOCUMENTS					
2,719,663	A *	10/1955	Meyer-Jagenberg	.....	229/123.3
2,750,093	A	6/1956	Moore		
2,758,775	A	8/1956	Moore		
2,819,831	A	1/1958	Polarek et al.		
2,936,940	A	5/1960	Berghgracht		
2,970,735	A	2/1961	Jacke		
3,006,257	A	10/1961	Orsini		
3,127,082	A	3/1964	Meyer-Jagenberg		
3,228,584	A	1/1966	Ashton		
3,259,303	A	7/1966	Repko		
3,314,591	A	4/1967	Cheeley		
3,349,959	A	10/1967	Watkins		
3,373,917	A	3/1968	Cox		
3,380,646	A	4/1968	Doyen et al.		
3,426,499	A	2/1969	Paige		
3,434,652	A	3/1969	Shore		
3,437,258	A	4/1969	Kugler		
3,462,067	A	8/1969	Shore		
3,505,779	A	4/1970	Kopp		
D219,266	S *	11/1970	Biallo	.....	D9/423
3,562,392	A	2/1971	Mylilus		
3,604,491	A	9/1971	Spiess		
3,738,567	A	6/1973	Ruda		
3,739,977	A	6/1973	Shapiro et al.		
3,785,112	A	1/1974	Leasure et al.		
3,917,158	A	11/1975	Dorofachuk et al.		
3,935,993	A	2/1976	Doyen et al.		
3,940,054	A	2/1976	Goebel et al.		
3,968,921	A	7/1976	Jewell		
3,980,225	A	9/1976	Kan		
4,041,851	A	8/1977	Jentsch		
4,101,051	A	7/1978	Reil		
4,124,159	A *	11/1978	Schwarzkopf	.....	229/248
4,129,976	A	12/1978	Grundler et al.		
4,197,949	A	4/1980	Carlsson		
4,308,679	A	1/1982	Ray, III et al.		
D265,777	S	8/1982	Elzea et al.		
4,345,393	A	8/1982	Price et al.		
D266,049	S	9/1982	Conti		
4,353,497	A	10/1982	Bustin		
D268,481	S *	4/1983	Van Inwagen	.....	D9/433
4,512,476	A	4/1985	Herrington, Jr.		
4,531,668	A	7/1985	Forbes, Jr.		
4,576,309	A	3/1986	Tzifkansky et al.		
D285,777	S	9/1986	Forbes, Jr.		
D286,745	S	11/1986	Forbes, Jr.		
4,687,104	A	8/1987	Ielmini		
4,738,365	A	4/1988	Prater		
4,746,019	A	5/1988	Prater		
D297,214	S	8/1988	Forbes, Jr.		
4,790,436	A	12/1988	Nakamura		
4,798,295	A	1/1989	Rausing		
4,837,849	A	6/1989	Erickson et al.		
4,848,575	A	7/1989	Nakamura et al.		
4,851,246	A	7/1989	Maxwell et al.		
D304,016	S	10/1989	Forbes, Jr.		
D315,099	S	3/1991	Alizard		
5,036,997	A	8/1991	May et al.		
5,044,777	A	9/1991	Watkins et al.		
5,059,036	A	10/1991	Richison et al.		
5,065,887	A	11/1991	Schuh et al.		
5,158,371	A	10/1992	Moravek		
D332,399	S	1/1993	Neff		
5,195,829	A	3/1993	Watkins et al.		
5,205,651	A	4/1993	Decottignies et al.		
5,254,073	A	10/1993	Richison et al.		
D351,090	S	10/1994	Narsutis		
5,353,946	A	10/1994	Behrend		
5,356,069	A	10/1994	Bochet et al.		
5,366,104	A	11/1994	Armstrong		
D354,436	S	1/1995	Krupa		
D364,563	S	11/1995	Miller et al.		
5,498,080	A	3/1996	Dalea et al.		
5,505,305	A	4/1996	Scholz et al.		
5,542,902	A	8/1996	Richison et al.		
5,556,026	A	9/1996	Blankitny		
D374,774	S	10/1996	Cassel		
5,577,612	A	11/1996	Chesson et al.		
5,611,452	A	3/1997	Bonora et al.		
5,613,608	A	3/1997	Tronchetti et al.		
5,655,706	A	8/1997	Vandiver		
D386,001	S	11/1997	Saffran		
5,704,480	A	1/1998	Scholz et al.		
D394,383	S *	5/1998	Bradfield	.....	D9/416
D394,606	S	5/1998	Zorn et al.		
5,770,839	A	6/1998	Ruebush et al.		
5,772,332	A	6/1998	Geller		
D395,952	S	7/1998	Buczowski et al.		
5,785,179	A	7/1998	Buczowski et al.		
5,788,121	A	8/1998	Sasaki et al.		
5,788,378	A	8/1998	Thomas		
5,791,465	A	8/1998	Niki et al.		
D398,526	S	9/1998	Schwarz et al.		
D398,844	S	9/1998	Oberloier		
5,799,863	A	9/1998	Capy et al.		
5,826,401	A	10/1998	Bois		
5,842,790	A	12/1998	Imer		
5,862,652	A	1/1999	Schoeler		
D409,484	S	5/1999	Tasker		
D412,439	S	8/1999	Cormack		
6,005,234	A	12/1999	Moseley et al.		
6,021,624	A	2/2000	Richison et al.		
6,026,953	A	2/2000	Nakamura et al.		
D421,901	S	3/2000	Hill		
D421,902	S	3/2000	Hill		
6,036,365	A	3/2000	Imer		
D427,056	S	6/2000	Irace et al.		
6,113,271	A	9/2000	Scott et al.		
6,120,183	A	9/2000	Buchanan et al.		
D431,464	S	10/2000	Collins et al.		
6,137,098	A	10/2000	Moseley et al.		
6,149,304	A	11/2000	Hamilton et al.		
D437,686	S	2/2001	Balzar et al.		
6,182,887	B1	2/2001	Ljunstrom et al.		
6,229,061	B1	5/2001	Dragoo et al.		
6,231,237	B1	5/2001	Geller		
6,261,215	B1	7/2001	Imer		
D446,014	S	8/2001	Adkins		
6,273,610	B1	8/2001	Koyama et al.		
6,274,181	B1	8/2001	Richison et al.		
D450,960	S	11/2001	Boyea et al.		
D452,374	S	12/2001	Kim		
6,325,239	B2	12/2001	Randall et al.		
6,423,356	B2	7/2002	Richison et al.		
D461,403	S	8/2002	Chomik et al.		
D463,276	S	9/2002	Piscopo et al.		
6,446,796	B1	9/2002	Schmidt		
D464,884	S	10/2002	Sumpmann et al.		
D464,894	S	10/2002	Mittersinker et al.		
6,481,183	B1	11/2002	Schmidt		
D466,807	S	12/2002	Buck et al.		
6,510,673	B1	1/2003	Visona' et al.		
6,513,308	B1	2/2003	Meeuwesen et al.		
D471,804	S	3/2003	Staples		
D473,461	S	4/2003	Joubert		
6,615,567	B2	9/2003	Kuhn et al.		
6,659,645	B1	12/2003	Schulz		
D485,461	S	1/2004	Sams et al.		
6,679,034	B2	1/2004	Kohl et al.		
6,695,757	B2	2/2004	Edwards et al.		
D487,192	S	3/2004	Farnham et al.		
D489,530	S	5/2004	Lindsay		
6,729,112	B2	5/2004	Kuss et al.		
6,736,309	B1	5/2004	Westerman et al.		
6,746,388	B2	6/2004	Edwards et al.		
6,761,279	B1	7/2004	Martin et al.		
6,783,277	B2	8/2004	Edwards et al.		
6,817,160	B2	11/2004	Schmidt		
D501,134	S	1/2005	Takahashi et al.		
6,845,602	B2	1/2005	Drut		
D502,095	S	2/2005	Tucker et al.		
D503,336	S	3/2005	Tucker et al.		
D504,622	S	5/2005	Takahashi et al.		
6,918,532	B2	7/2005	Sierra-Gomez et al.		

(56)

References Cited

U.S. PATENT DOCUMENTS

6,953,069 B2 10/2005 Galomb  
D513,870 S 1/2006 Rosine et al.  
D514,439 S 2/2006 Snedden et al.  
D528,010 S 9/2006 Yashima et al.  
D531,894 S 11/2006 Ramirez et al.  
7,153,026 B2 12/2006 Galomb  
7,156,556 B2 1/2007 Takahashi et al.  
D536,608 S 2/2007 Arkins  
7,213,710 B2 5/2007 Cotert  
D544,762 S 6/2007 Zimmerman  
D545,186 S 6/2007 Liebe et al.  
D548,080 S 8/2007 Brown et al.  
D551,508 S 9/2007 Friedland et al.  
D552,468 S 10/2007 Seum et al.  
7,299,608 B2 11/2007 Kohl et al.  
D563,219 S \* 3/2008 Okin et al. .... D9/423  
D569,719 S 5/2008 Ross  
D571,146 S 6/2008 Sanfilippo et al.  
D571,197 S 6/2008 Sanfilippo et al.  
D591,555 S 5/2009 Sanfilippo et al.  
D593,369 S 6/2009 Green et al.  
D608,193 S 1/2010 Sanfilippo et al.  
7,665,629 B2 2/2010 Julius et al.  
7,665,895 B2 2/2010 Takita et al.  
7,780,006 B2 8/2010 Clark, Jr. et al.  
D629,296 S 12/2010 De Muynck  
D637,577 S 5/2011 Han et al.  
7,993,256 B2 8/2011 Takita et al.  
8,006,833 B2 8/2011 Clark, Jr. et al.  
8,038,349 B2 10/2011 Andersson et al.  
D648,302 S 11/2011 Park et al.  
8,066,137 B2 11/2011 Sanfilippo et al.  
D651,077 S \* 12/2011 Frias ..... D9/434  
8,132,395 B2 3/2012 Gehring et al.  
8,231,024 B2 7/2012 Sanfilippo et al.  
8,276,353 B2 10/2012 Reaves et al.  
8,308,363 B2 11/2012 Vogt et al.  
D676,014 S 2/2013 Chung  
D682,244 S 5/2013 Park et al.  
D686,181 S 7/2013 Jeong  
D689,767 S 9/2013 Clark et al.  
D696,107 S 12/2013 Kimple et al.  
8,602,242 B2 12/2013 Sanfilippo et al.  
8,602,244 B2 12/2013 Sanfilippo et al.  
D715,643 S \* 10/2014 Sanfilippo et al. .... D9/434  
D721,575 S \* 1/2015 Paboojian ..... D9/423  
D725,467 S \* 3/2015 Sanfilippo et al. .... D9/434  
2001/0005979 A1 7/2001 Kuss et al.  
2001/0040107 A1 11/2001 Toure et al.

2002/0094922 A1 7/2002 Edwards et al.  
2003/0041564 A1 3/2003 Schmidt  
2003/0059130 A1 3/2003 Yoneyama et al.  
2003/0085265 A1\* 5/2003 Haim ..... 229/123.1  
2003/0100424 A1 5/2003 Barmore et al.  
2003/0111523 A1 6/2003 Haugan  
2003/0230504 A1 12/2003 Hamming  
2004/0089578 A1 5/2004 Lin  
2004/0099570 A1 5/2004 Cargile  
2004/0185156 A1 9/2004 Garwood  
2004/0188457 A1 9/2004 Galomb  
2004/0226625 A1 11/2004 Galomb  
2004/0232029 A1 11/2004 Cotert  
2004/0251163 A1 12/2004 Conde et al.  
2005/0011906 A1 1/2005 Buck et al.  
2005/0053315 A1 3/2005 Aasen  
2005/0069230 A1 3/2005 Takahashi et al.  
2005/0109827 A1 5/2005 Martin  
2005/0150785 A1 7/2005 Julius et al.  
2005/0189367 A1 9/2005 Chasid et al.  
2005/0208188 A1 9/2005 Garwood  
2005/0276525 A1 12/2005 Hebert et al.  
2006/0076352 A1 4/2006 Peterson et al.  
2006/0283750 A1 12/2006 Villars et al.  
2007/0151887 A1 7/2007 Clark et al.  
2009/0039078 A1 2/2009 Sanfilippo et al.  
2009/0120828 A1 5/2009 Sanfilippo et al.  
2009/0152290 A1 6/2009 Wang et al.  
2010/0113240 A1 5/2010 Takita et al.  
2010/0140129 A1 6/2010 Sanfilippo et al.  
2011/0297690 A1 12/2011 Teys et al.  
2012/0125937 A1 5/2012 Ahlstrom et al.  
2014/0083897 A1 3/2014 Sanfilippo et al.  
2014/0102936 A1 4/2014 Sanfilippo et al.  
2014/0109522 A1 4/2014 Sanfilippo et al.  
2015/0001234 A1\* 1/2015 Sanfilippo et al. .... 220/834

FOREIGN PATENT DOCUMENTS

FR 2766794 A1 2/1999  
JP 10-203560 8/1998  
WO WO-86/06344 A1 11/1986  
WO WO-00/12407 A1 3/2000  
WO WO-02/085726 A1 10/2002  
WO WO-2004/110885 A1 12/2004

OTHER PUBLICATIONS

Color photographs of Frito-Lay Doritos "Gamer Pack" package (circa 2013).

\* cited by examiner

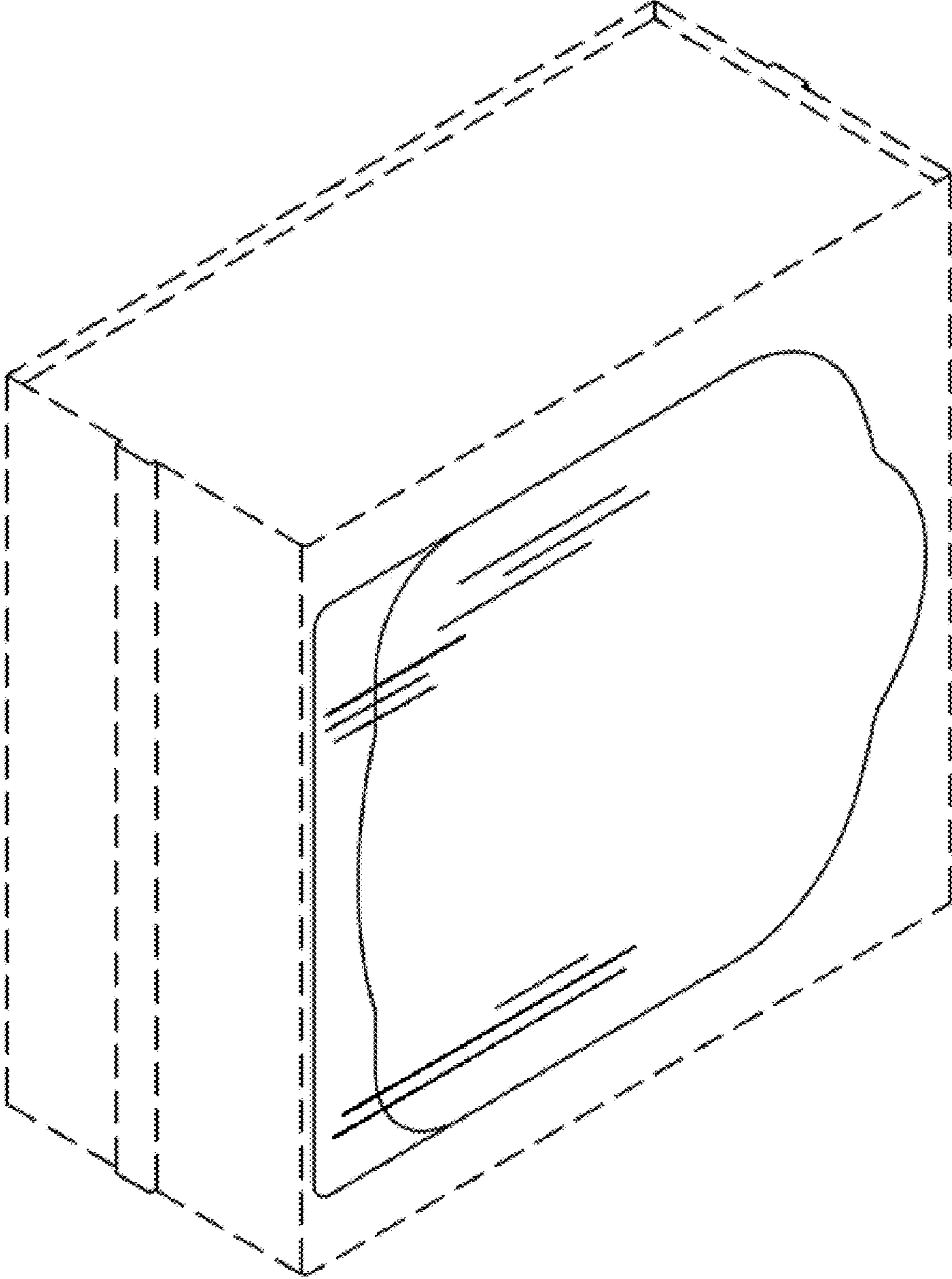


Fig. 1

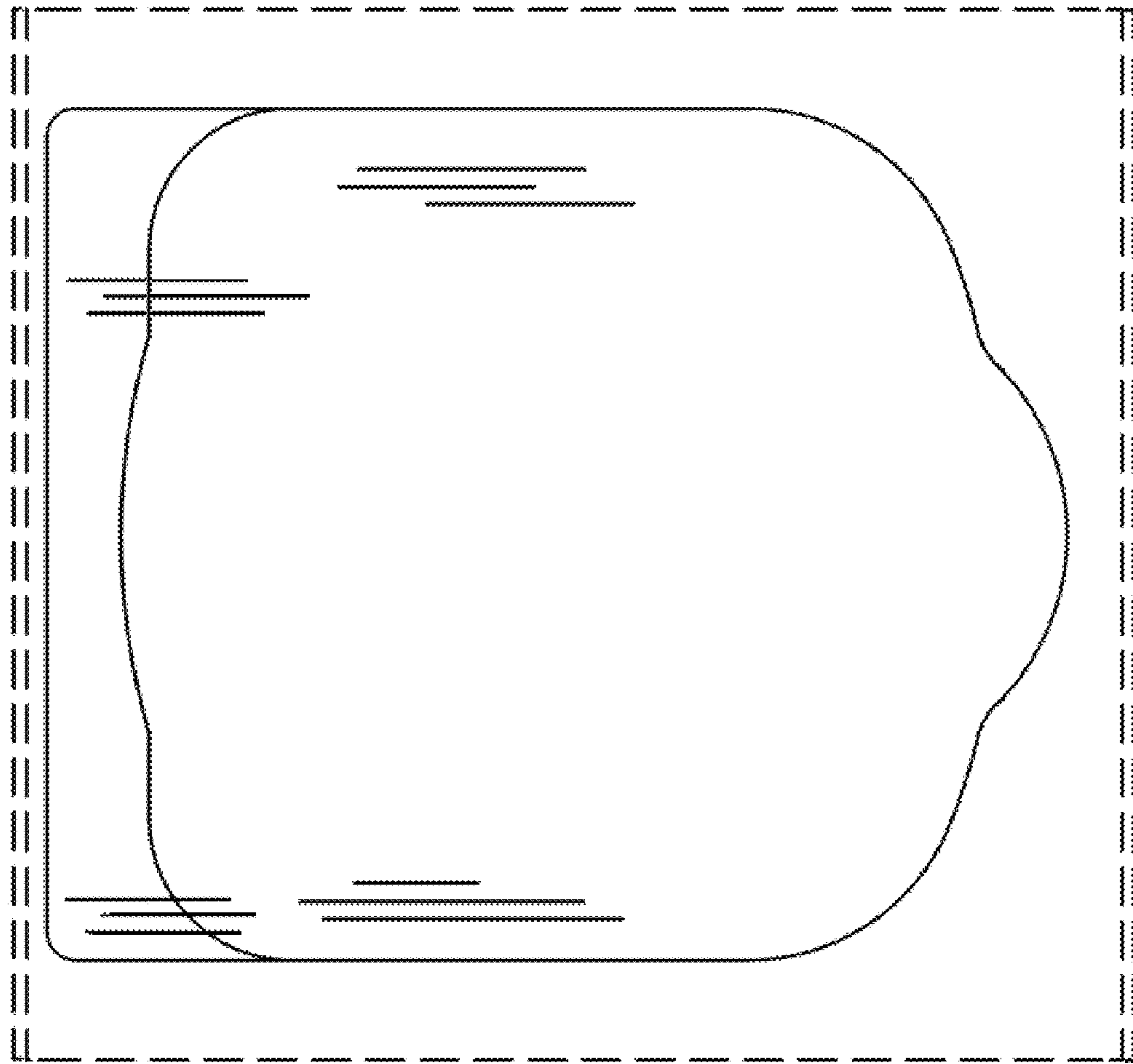


Fig. 2



Fig. 3



Fig. 4

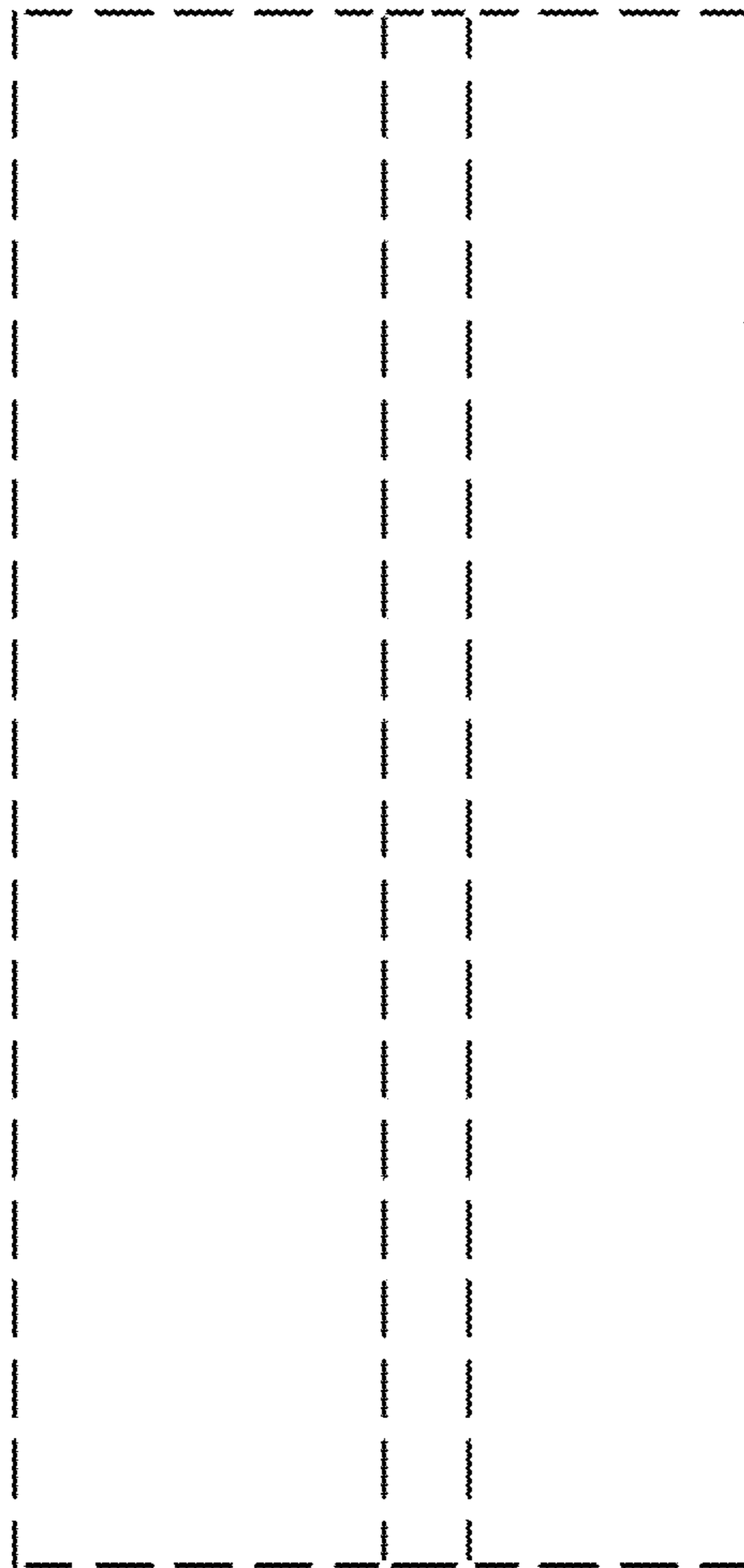


Fig. 5