

US00D764911S

(12) **United States Design Patent** (10) **Patent No.:** **US D764,911 S**
Glass et al. (45) **Date of Patent:** **** Aug. 30, 2016**

(54) **BOX FOR HOLDING CHALK AND A STORED VALUE CARD**

(74) *Attorney, Agent, or Firm* — Polsinelli PC

(71) Applicant: **Gift Card Impressions, LLC**, Kansas City, MO (US)

(57) **CLAIM**
The ornamental design for a box for holding chalk and a stored value card, as shown and described.

(72) Inventors: **Brett R. Glass**, Kansas City, MO (US);
Nicole E. Glass, Kansas City, MO (US)

DESCRIPTION

(73) Assignee: **Gift Card Impressions, LLC**, Kansas City, MO (US)

FIG. 1 is a perspective view of a box for holding chalk and a stored value card shown in a closed disposition;
FIG. 2 is a perspective view of the chalkboard box of FIG. 1 in an open disposition;
FIG. 3 is a front elevation view of the chalkboard box of FIG. 1;
FIG. 4 is a rear elevation view of the chalkboard box of FIG. 1;
FIG. 5 is a right elevation view of the chalkboard box of FIG. 1;
FIG. 6 is a left elevation view of the chalkboard box of FIG. 1;
FIG. 7 is a top plan view of the chalkboard box of FIG. 1; and
FIG. 8 is a bottom plan view of the chalkboard box of FIG. 1.

(**) Term: **14 Years**

(21) Appl. No.: **29/502,002**

(22) Filed: **Sep. 10, 2014**

(51) **LOC (10) Cl.** **09-03**

(52) **U.S. Cl.**
USPC **D9/432**

(58) **Field of Classification Search**
USPC D9/414–419, 420–425, 428, 429–435, D9/600, 668, 708, 719, 734; D3/203.2, D3/272, 273, 294, 302–304; D7/538–542, D7/601, 602, 629
CPC B65D 5/02; B65D 5/18; B65D 5/20; B65D 5/24; B65D 5/28; B65D 5/30; B65D 5/40; B65D 5/42; B65D 5/46; B65D 5/70; B65D 5/74

See application file for complete search history.

(56) **References Cited**

U.S. PATENT DOCUMENTS

D39,729 S 12/1908 Smead
D67,875 S * 7/1925 Cluett D9/432

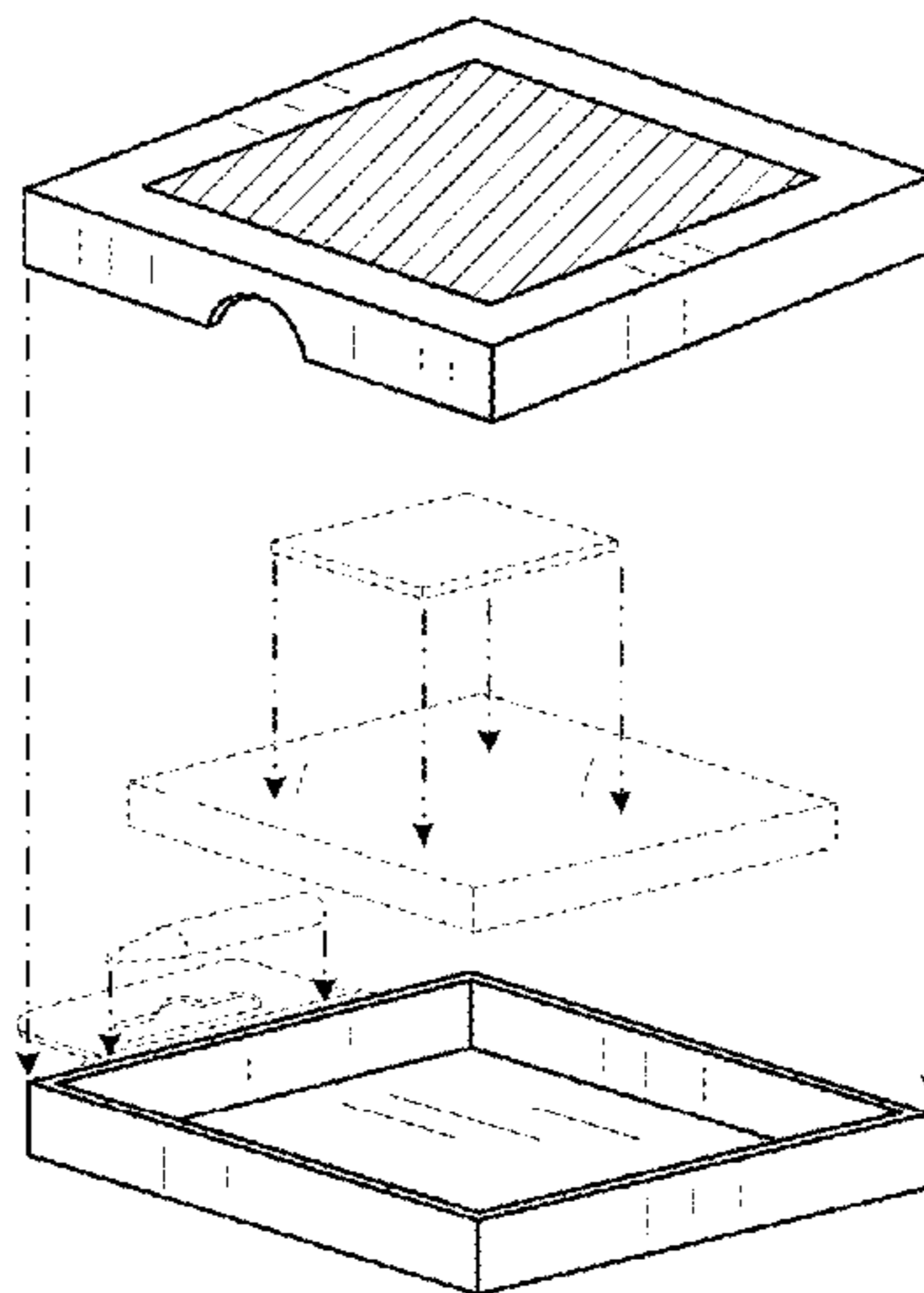
(Continued)

OTHER PUBLICATIONS

Office Action from related U.S. Appl. No. 29/502,004 dated Jun. 3, 2016; 11 pgs.

Primary Examiner — Vy Koenig

1 Claim, 3 Drawing Sheets



(56)

References Cited

U.S. PATENT DOCUMENTS

2,194,669	A *	3/1940	Mumford	B65D 5/12 206/454	D630,505	S	1/2011	Westemeyer et al.	
D261,234	S *	10/1981	Abraham	D9/432	D640,922	S *	7/2011	Daley	D9/432
5,029,723	A	7/1991	Lo		D642,743	S	8/2011	Shteyssel	
D339,059	S *	9/1993	Koehler	D9/418	D685,178	S	7/2013	Lv	
D396,004	S *	7/1998	Srinual	D3/294	D686,065	S	7/2013	Kuo et al.	
D399,135	S *	10/1998	Mecca	D9/423	D687,321	S *	8/2013	Pralus	D9/414
D437,779	S *	2/2001	Randall	D9/418	D716,649	S *	11/2014	McAdam	D9/418
D452,148	S	12/2001	Friedberg		D717,165	S	11/2014	Kwak et al.	
D469,607	S	2/2003	Wolff		D730,742	S *	6/2015	Glass	D9/418
D547,175	S	7/2007	Berg		D740,019	S	10/2015	Hynek	
D621,703	S *	8/2010	Hageman	D9/432	D756,561	S	5/2016	Ghiotti et al.	
					2008/0215440	A1	9/2008	Peterson et al.	
					2013/0133686	A1	5/2013	Shteyssel	
					2014/0342322	A1	11/2014	Nolan et al.	

* cited by examiner

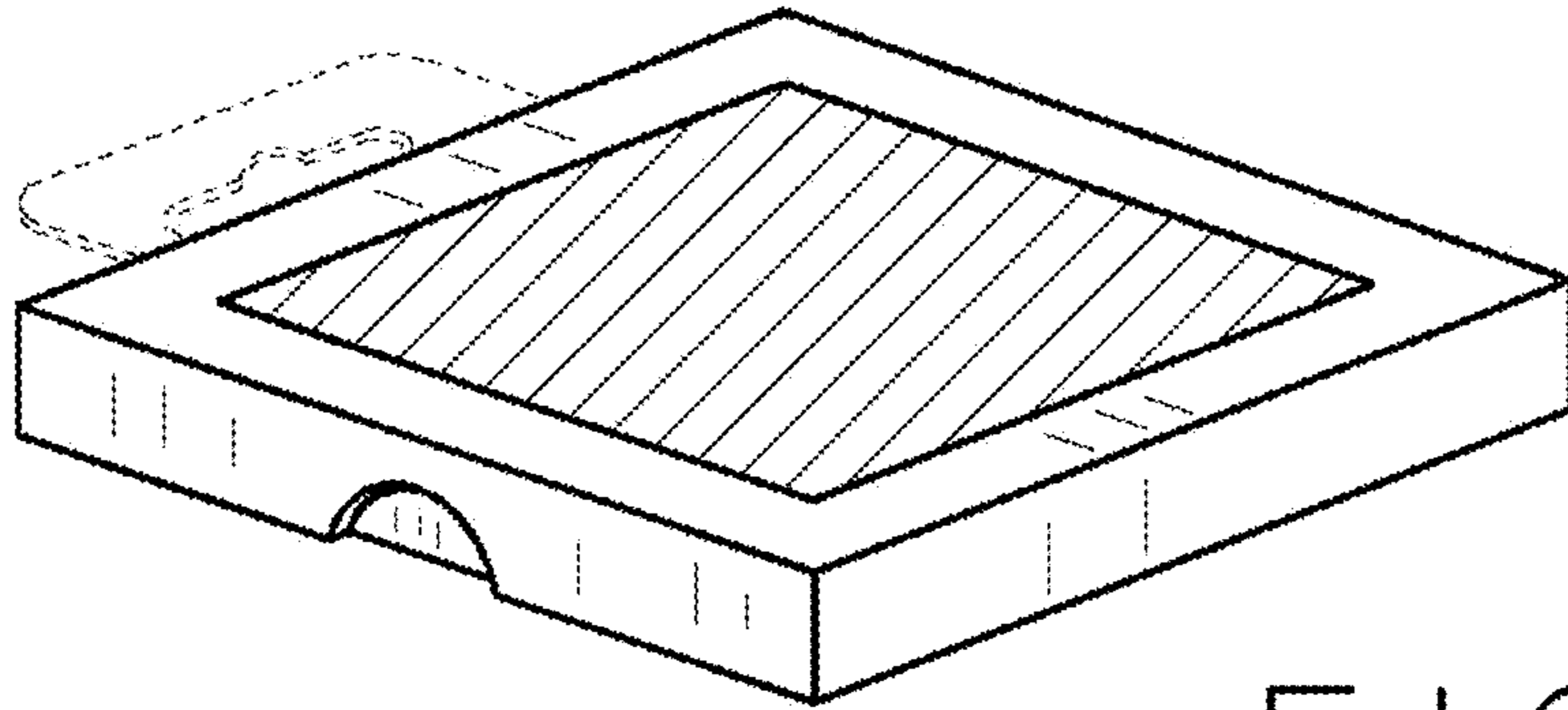


FIG. 1

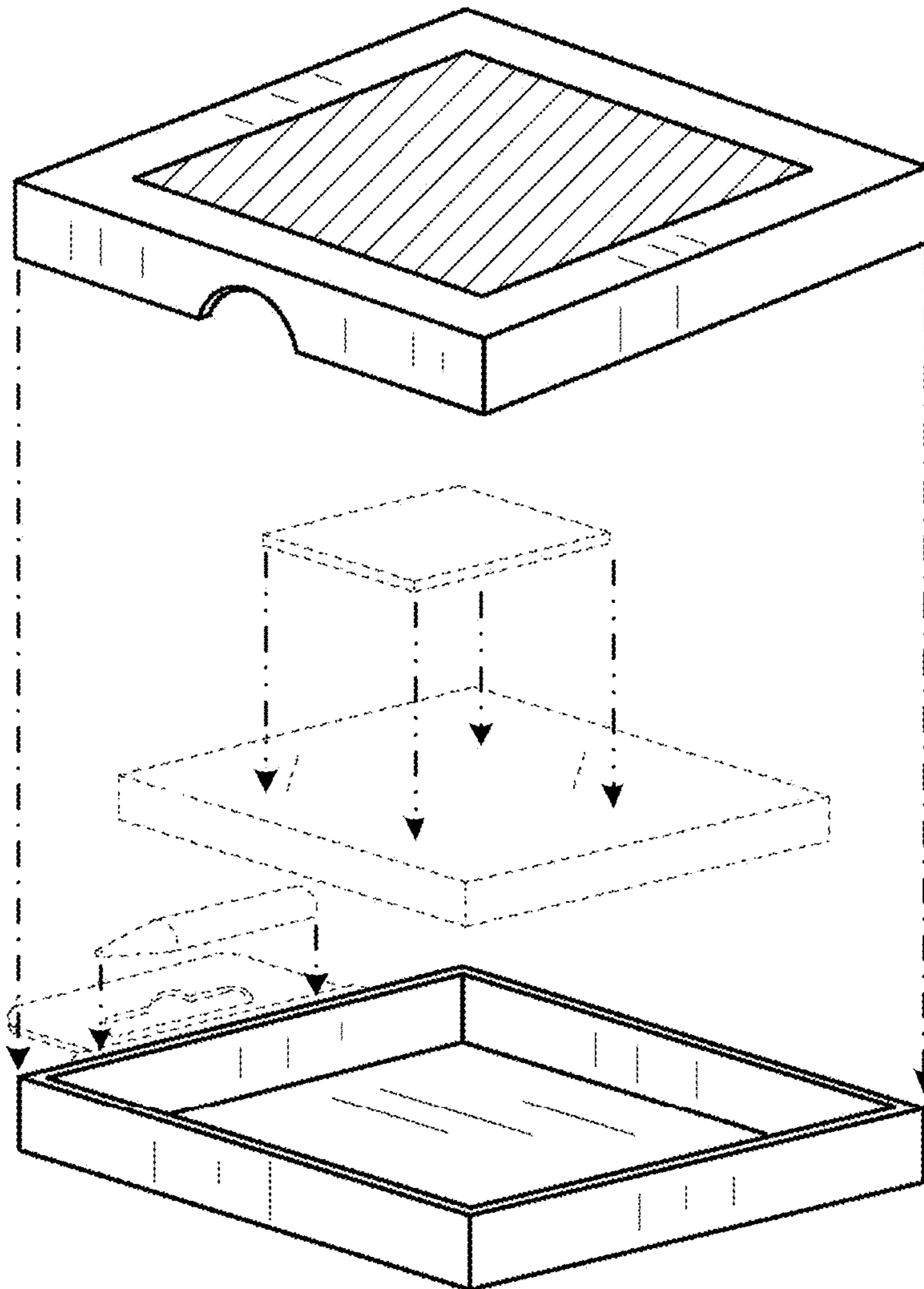


FIG. 2

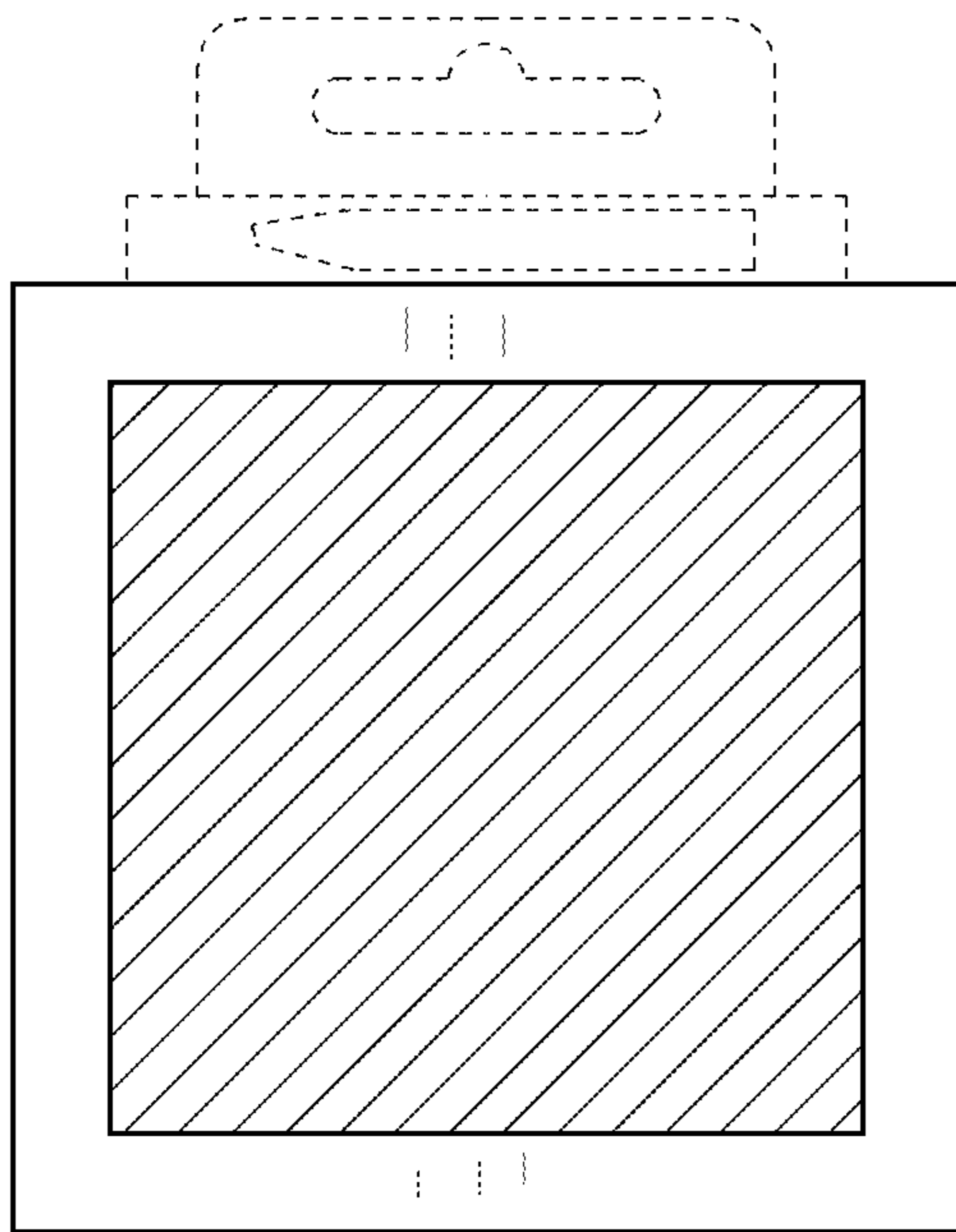


FIG. 3

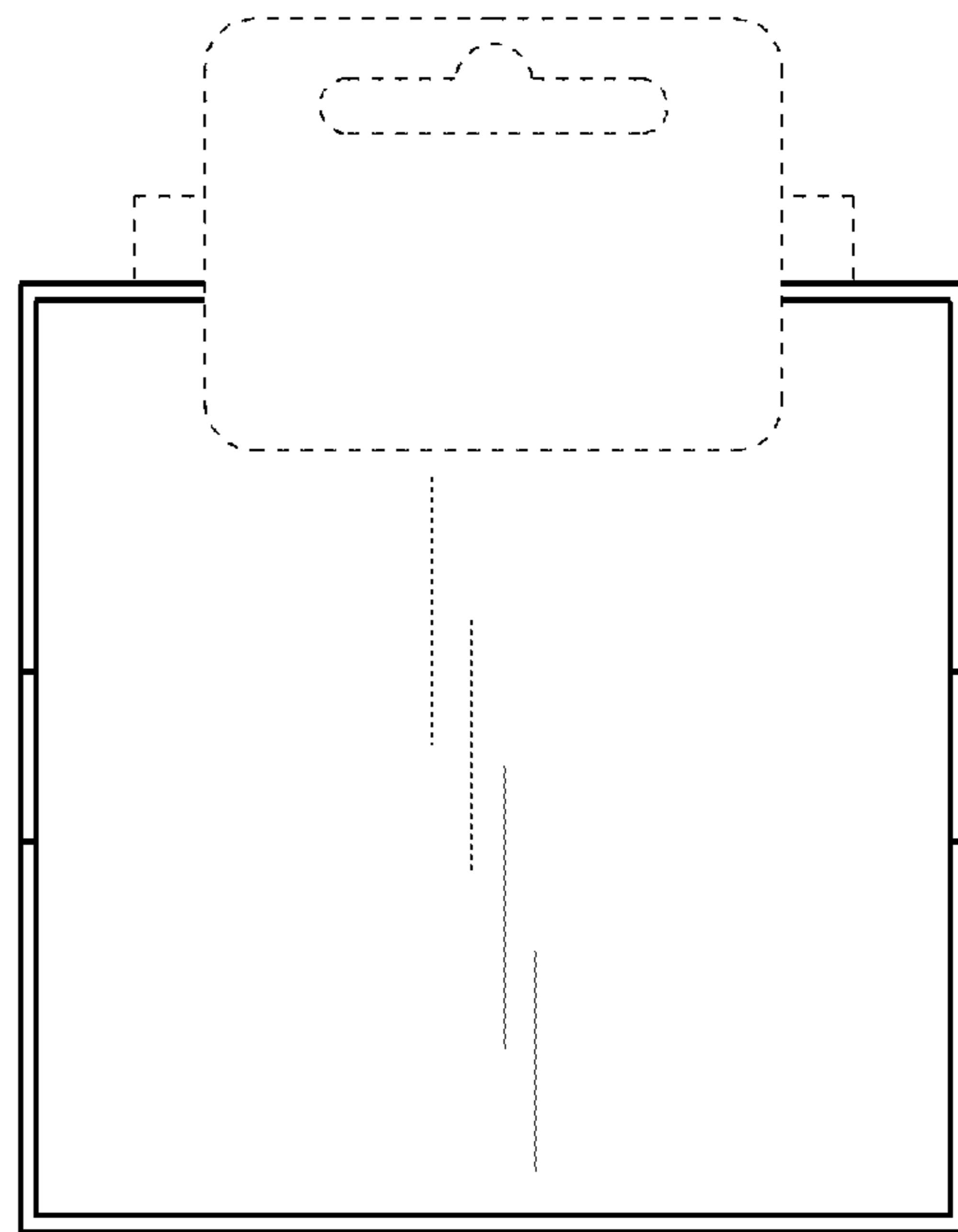


FIG. 4

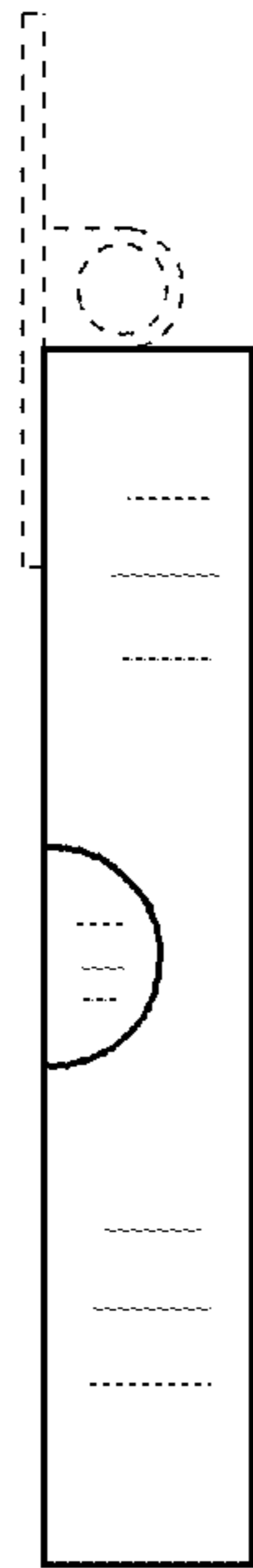


FIG. 5

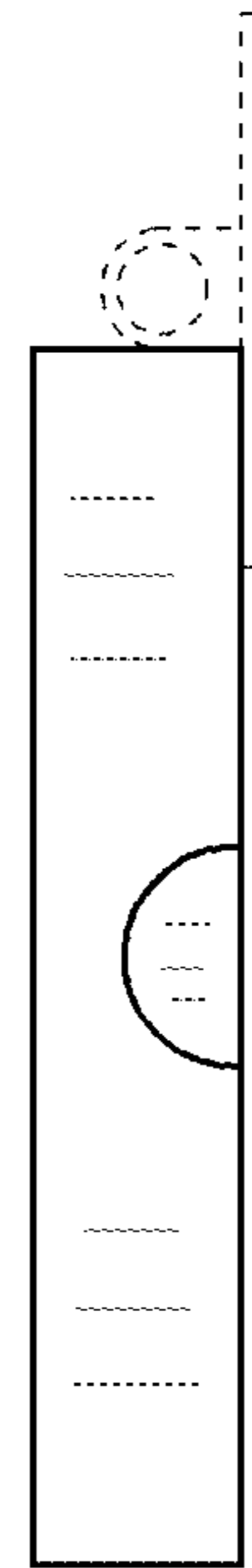


FIG. 6

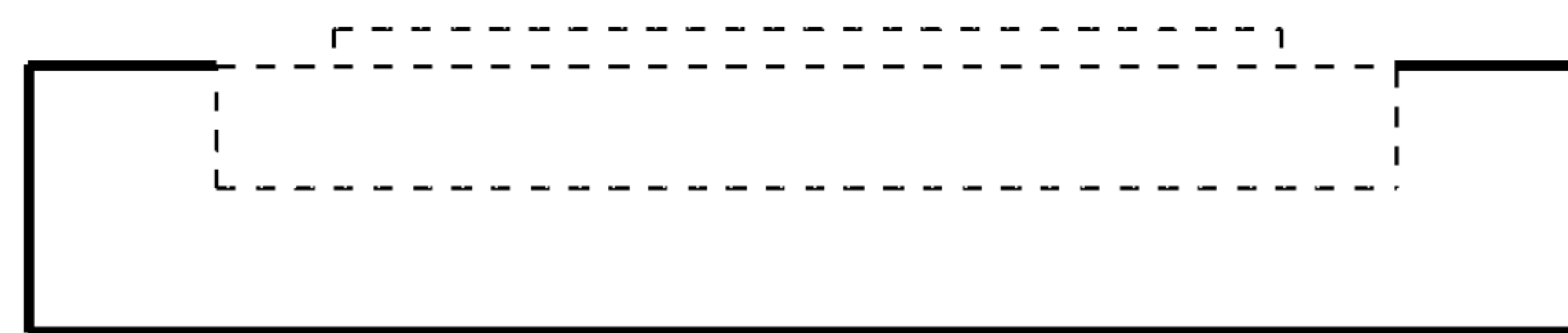


FIG. 7



FIG. 8