



US00D764908S

(12) **United States Design Patent**  
**Shiffer et al.**

(10) **Patent No.:** **US D764,908 S**

(45) **Date of Patent:** **\*\* Aug. 30, 2016**

(54) **CONTAINER**

(71) Applicant: **Tech II, Inc.**, Springfield, OH (US)

(72) Inventors: **Eric Shiffer**, North Lewisburg, OH (US); **Doug Jackson**, Rocky River, OH (US)

(73) Assignee: **Tech II, Inc.**, Springfield, OH (US)

(\*\*) Term: **14 Years**

(21) Appl. No.: **29/492,067**

(22) Filed: **May 28, 2014**

(51) **LOC (10) Cl.** ..... **09-03**

(52) **U.S. Cl.**  
USPC ..... **D9/428**

(58) **Field of Classification Search**

USPC ..... D9/414, 415, 416, 419, 420, 421, 422, D9/423, 424, 425, 426, 427, 428, 429, 432, D9/454, 457, 652, 667, 721, 904; D7/619.1; 229/400, 401, 403, 404, 229/405, 406, 407, 779; 220/592.16, 220/656-659, 662, 665, 669-675, 220/4.21-4.27; 206/6.1, 214, 217, 431, 206/503, 514, 521.1, 528, 530, 557, 564, 206/775, 776, 779  
CPC ..... A47J 36/06; A47J 47/14; B65D 1/22; B65D 1/34; B65D 1/40; B65D 1/165; B65D 15/02; B65D 21/083; B65D 21/0233; B65D 21/0234; B65D 43/162; B65D 71/50; B65D 77/24; B65D 77/245; B65D 81/3869; B65D 2543/00046; B65D 2543/00083; B65D 2543/00092; B65D 2543/00296; B65D 3/06; B65D 3/28; B65D 5/4204; B65D 7/46; B65D 85/34; B21D 51/18; B21D 51/2646; A45C 11/16  
See application file for complete search history.

(56) **References Cited**

**U.S. PATENT DOCUMENTS**

D271,555 S \* 11/1983 Daenen ..... D7/316  
D288,063 S \* 2/1987 Tyler ..... D9/425

D291,659 S \* 9/1987 Powell ..... D7/507  
4,966,294 A \* 10/1990 Mack ..... B65D 43/0249  
220/260  
D595,128 S \* 6/2009 Bouveret ..... D7/545  
D611,807 S \* 3/2010 Miga, Jr. .... D9/424  
D629,658 S \* 12/2010 Rusnak ..... D7/629  
D630,899 S \* 1/2011 Samartgis ..... D7/602  
D645,738 S 9/2011 Shiffer et al.  
D646,160 S 10/2011 Shiffer et al.  
D650,638 S \* 12/2011 Lasky ..... D7/602

(Continued)

*Primary Examiner* — Karen S Acker

*Assistant Examiner* — Wendy Arminio

(74) *Attorney, Agent, or Firm* — Maginot, Moore & Beck LLP

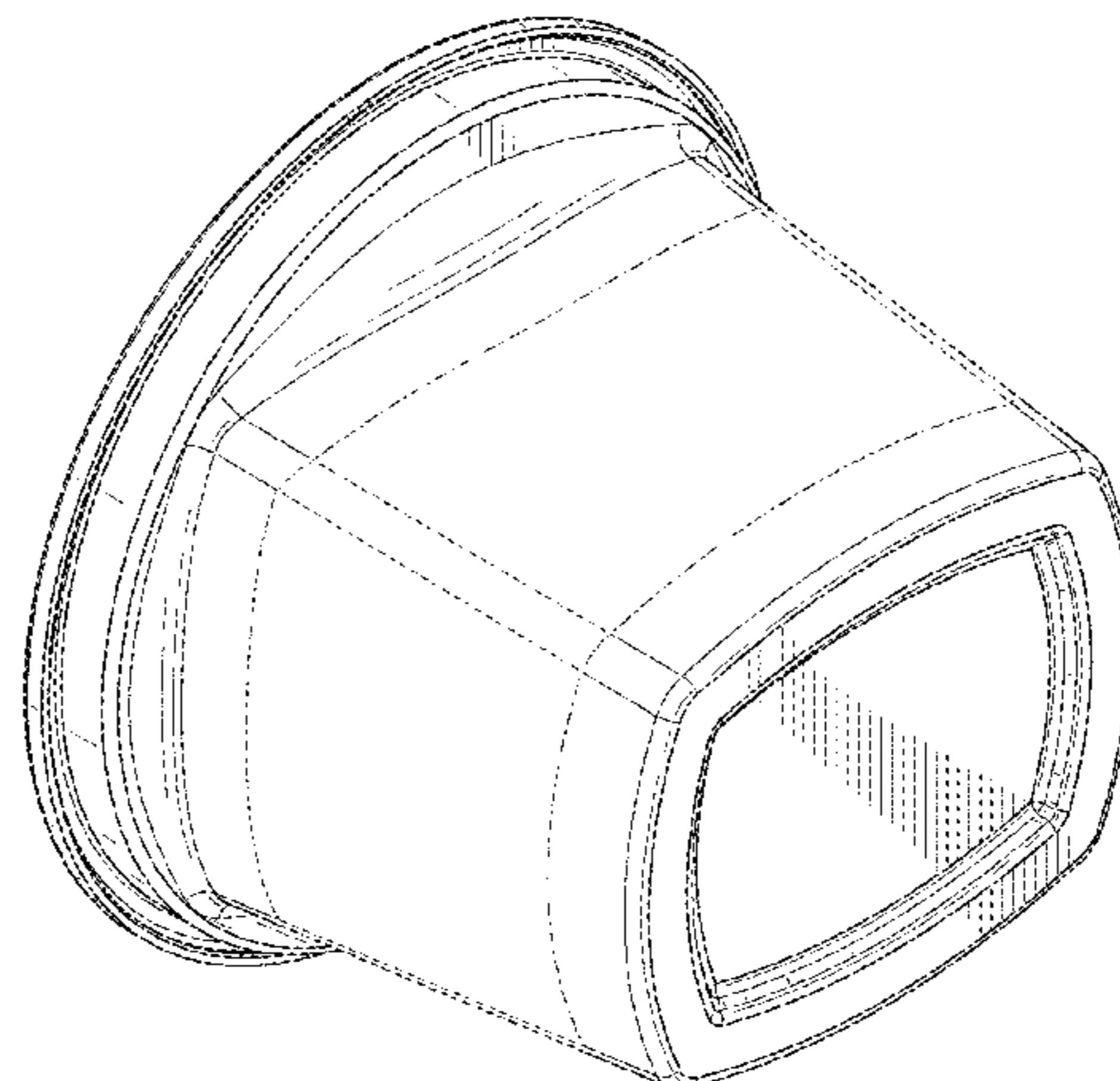
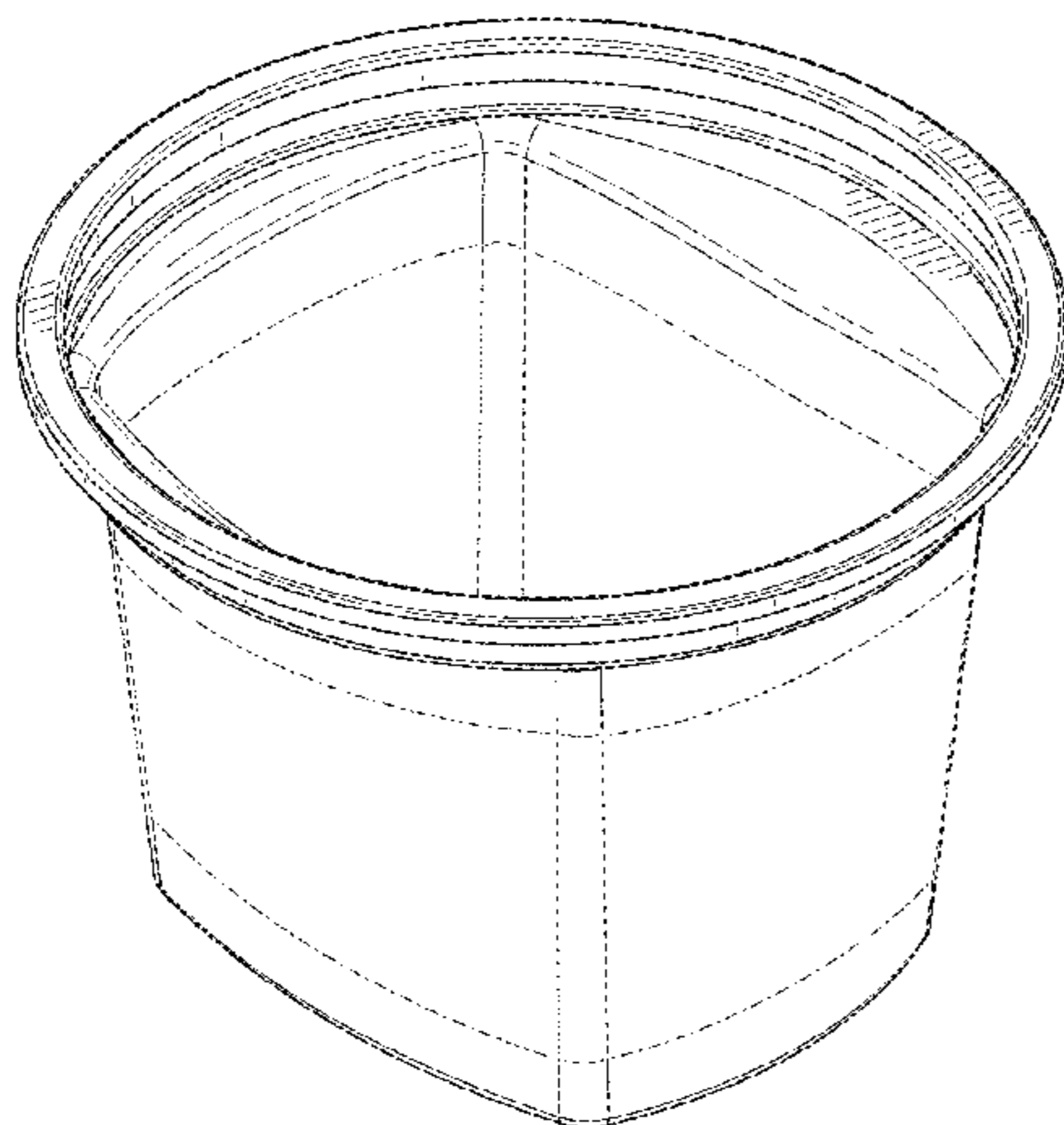
(57) **CLAIM**

The ornamental design for a container, as shown and described.

**DESCRIPTION**

FIG. 1 is a front perspective view of a container showing our new design;  
FIG. 2 is a bottom perspective view showing the design for the container of FIG. 1;  
FIG. 3 is a left side elevational view showing the design for the container of FIG. 1;  
FIG. 4 is a right side elevational view showing the design for the container of FIG. 1;  
FIG. 5 is a front elevational view showing the design for the container of FIG. 1;  
FIG. 6 is a back elevational view showing the design for the container of FIG. 1;  
FIG. 7 is a top plan view showing the design for the container of FIG. 1; and,  
FIG. 8 is a bottom plan view showing the design for the container of FIG. 1.  
The broken lines shown in the figures illustrate portions of the container that form no part of the claimed design. The dot-dash-dot broken lines depict the boundaries of the claim and form no part of the claimed design.

**1 Claim, 8 Drawing Sheets**



(56)

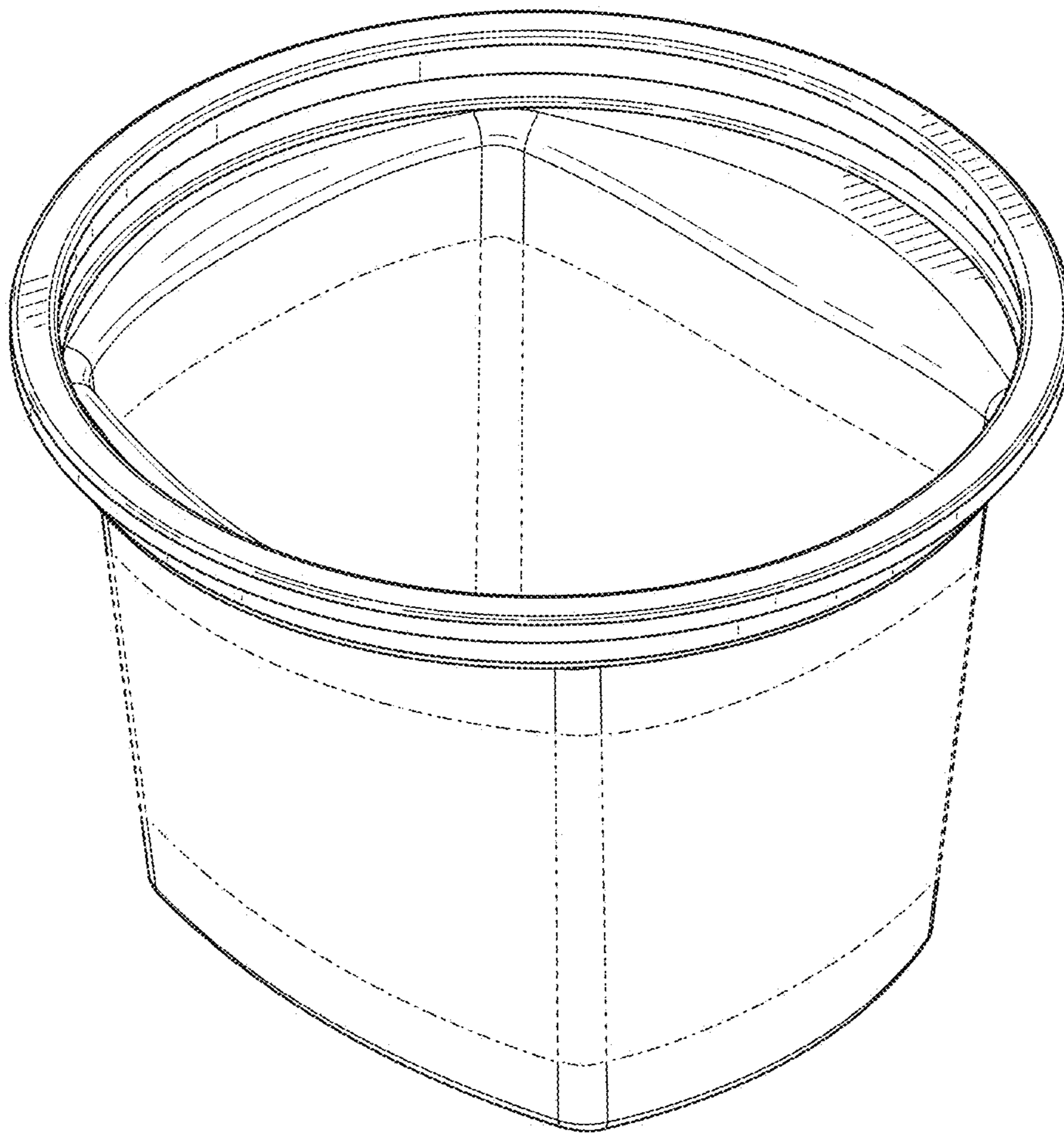
**References Cited**

U.S. PATENT DOCUMENTS

D650,660 S 12/2011 Shiffer et al.  
D650,661 S 12/2011 Shiffer et al.  
D650,662 S 12/2011 Shiffer et al.

D650,663 S 12/2011 Shiffer et al.  
D688,124 S \* 8/2013 Crosby ..... D9/428  
D690,198 S \* 9/2013 Haracourt ..... D7/602  
D737,678 S \* 9/2015 Danenberg ..... D9/428  
2003/0108714 A1\* 6/2003 Razeti ..... B32B 7/12

\* cited by examiner



**FIG. 1**

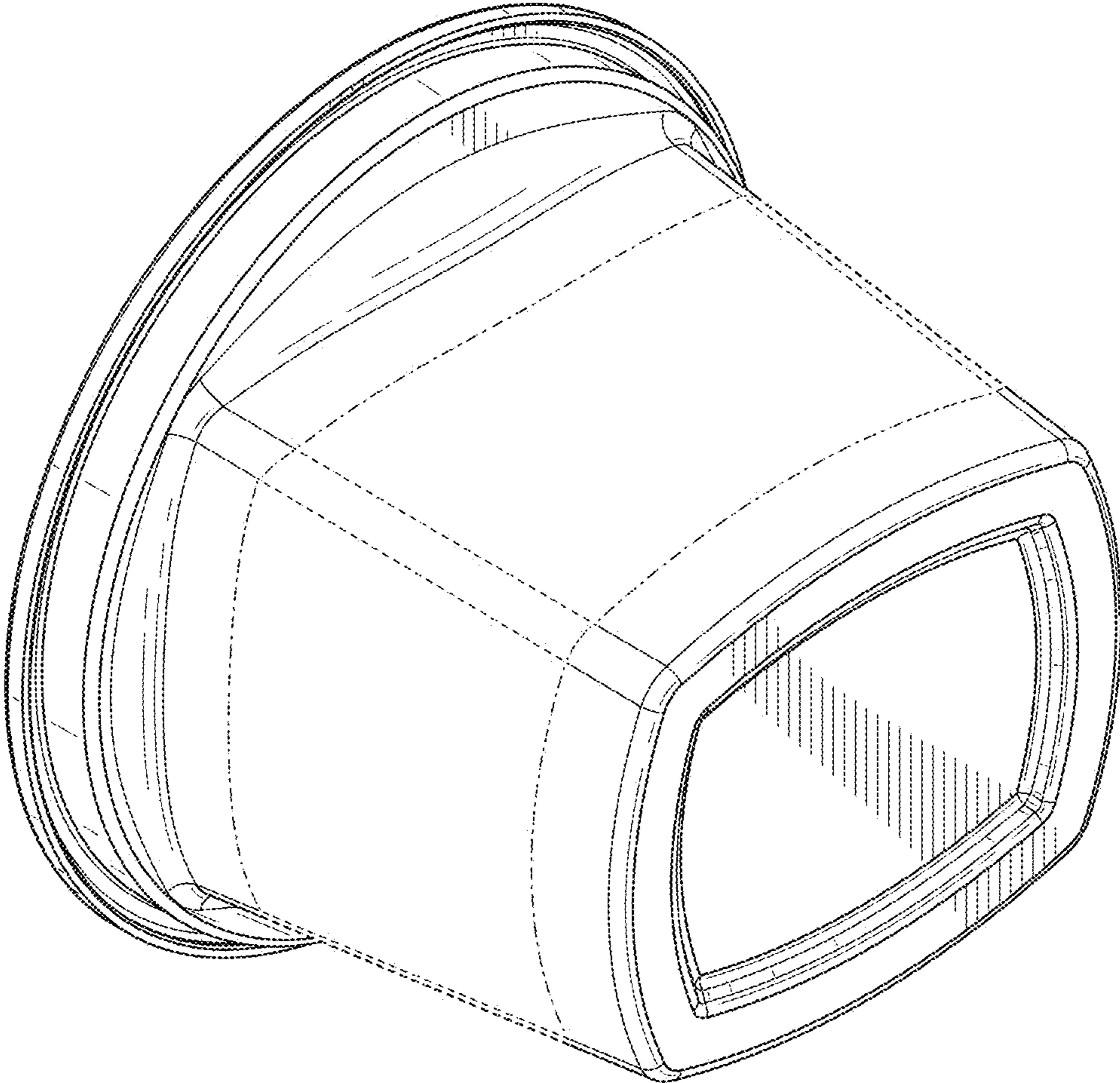
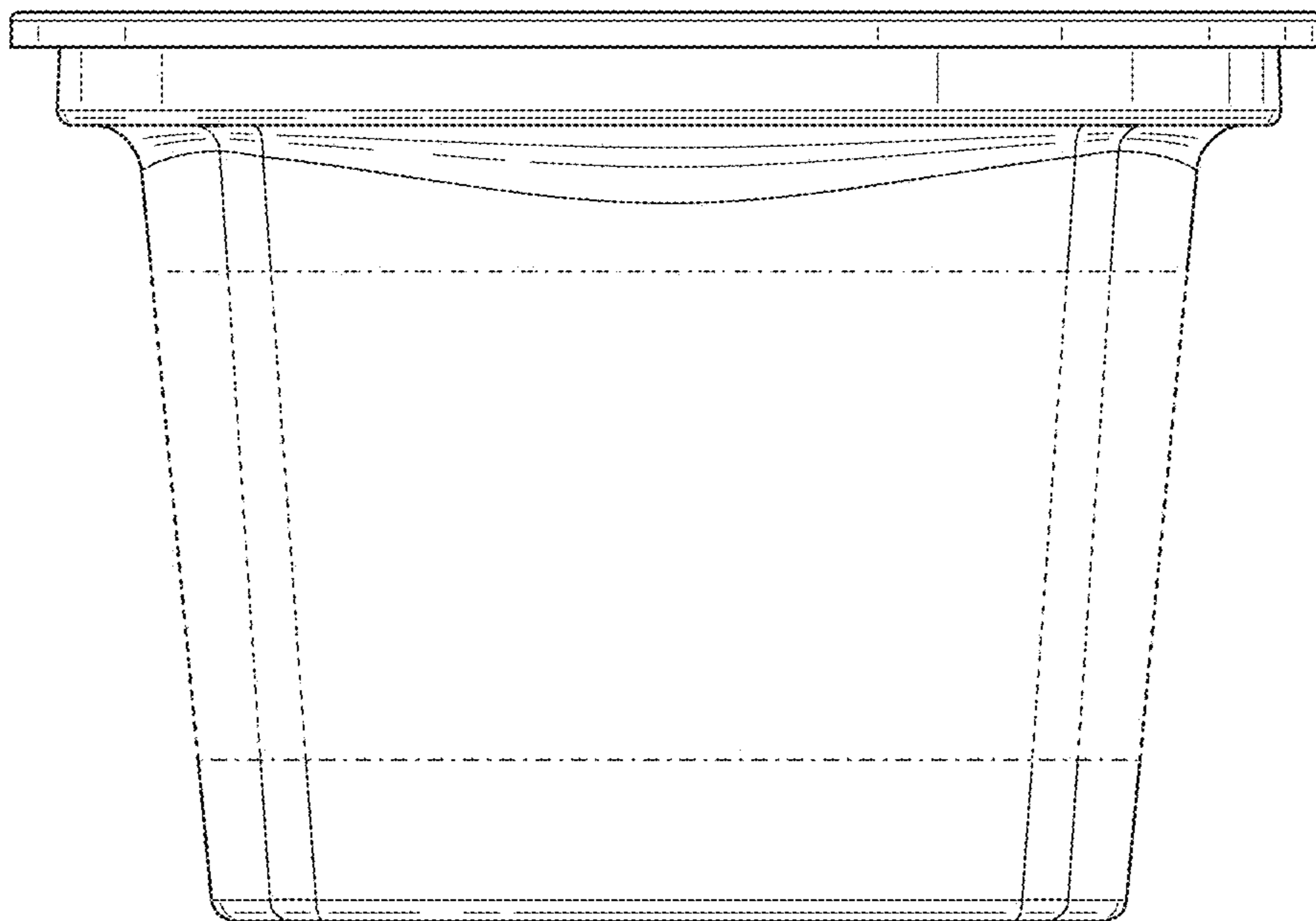


FIG. 2



**FIG. 3**

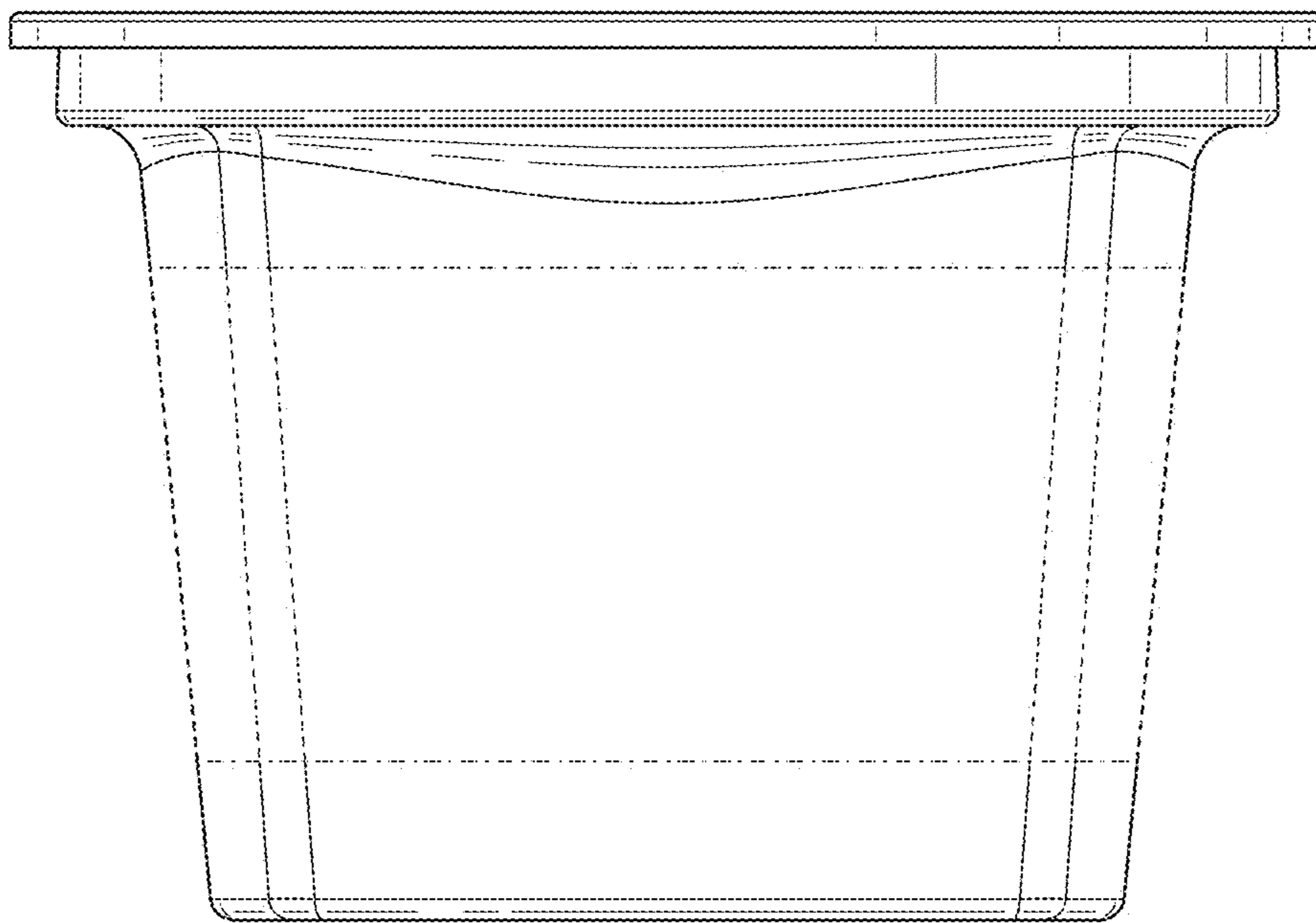


FIG. 4

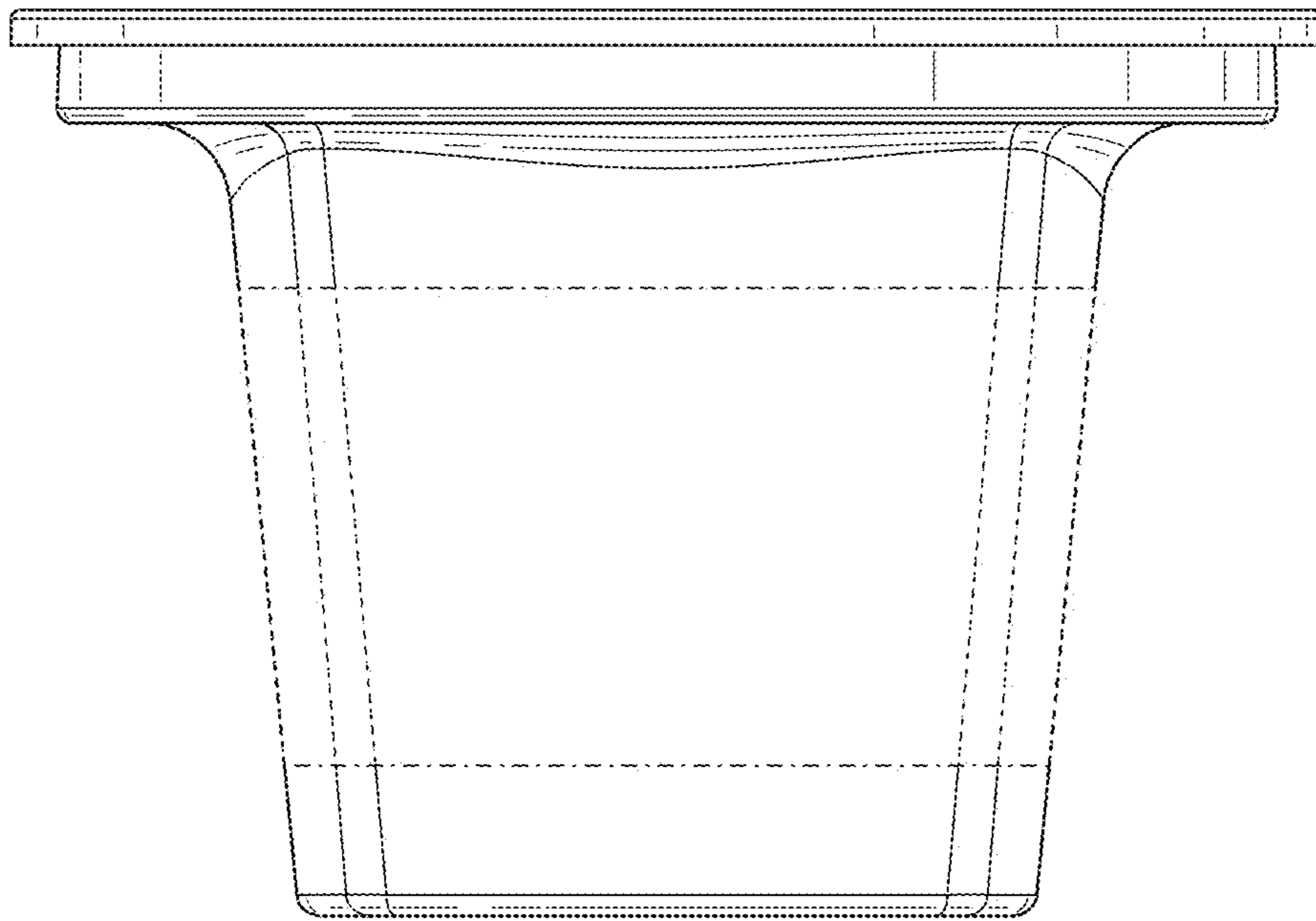


FIG. 5

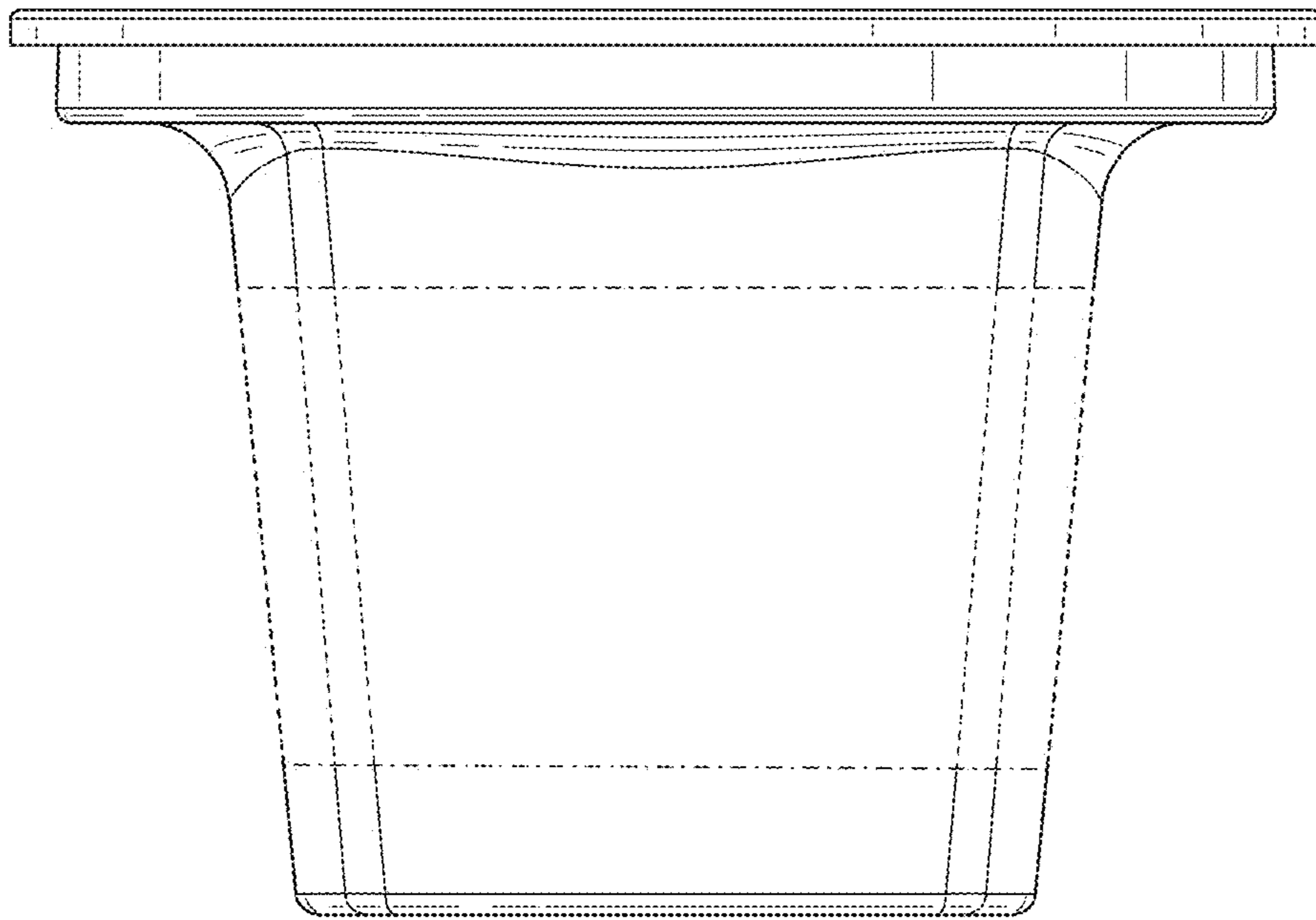
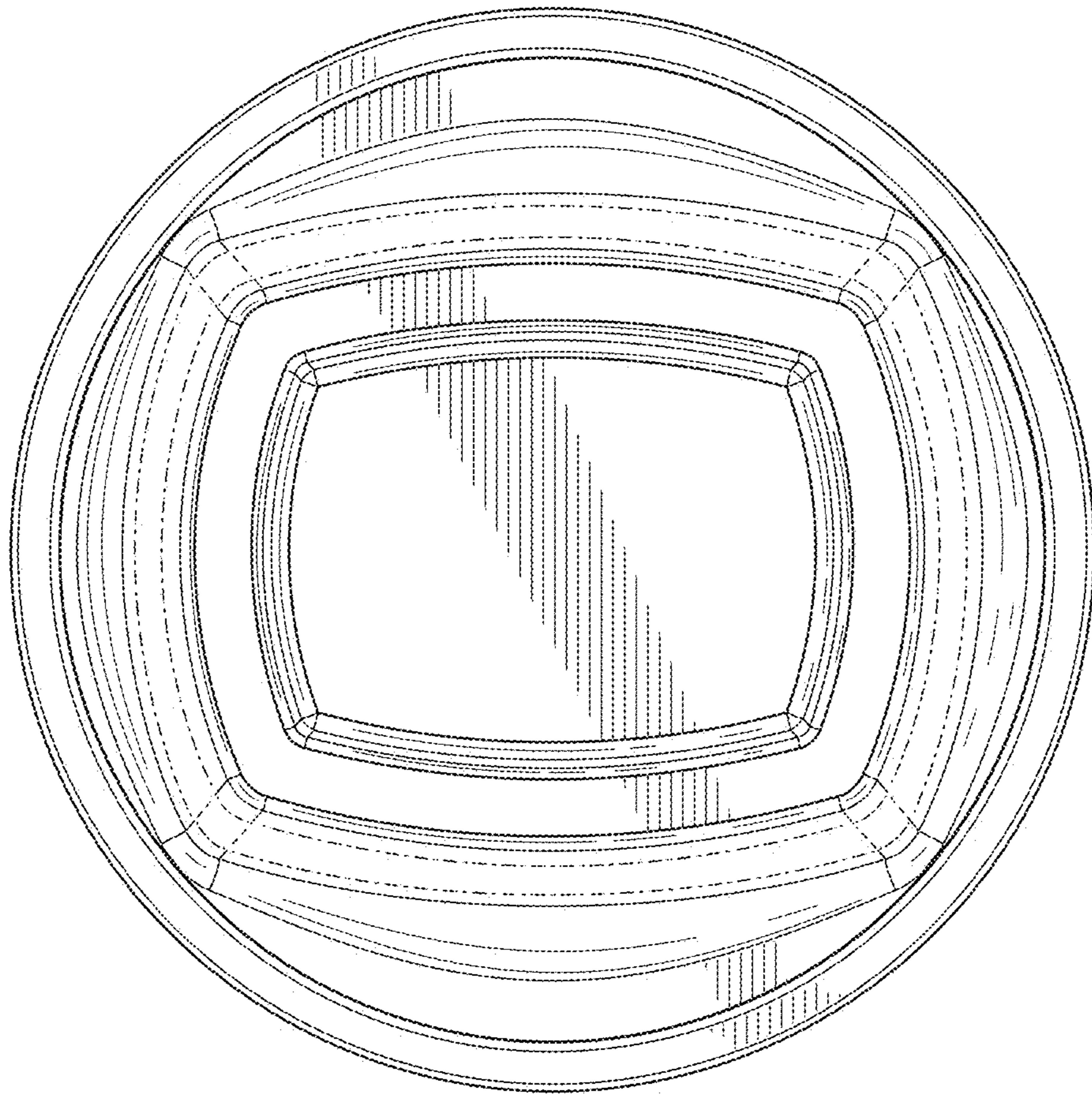
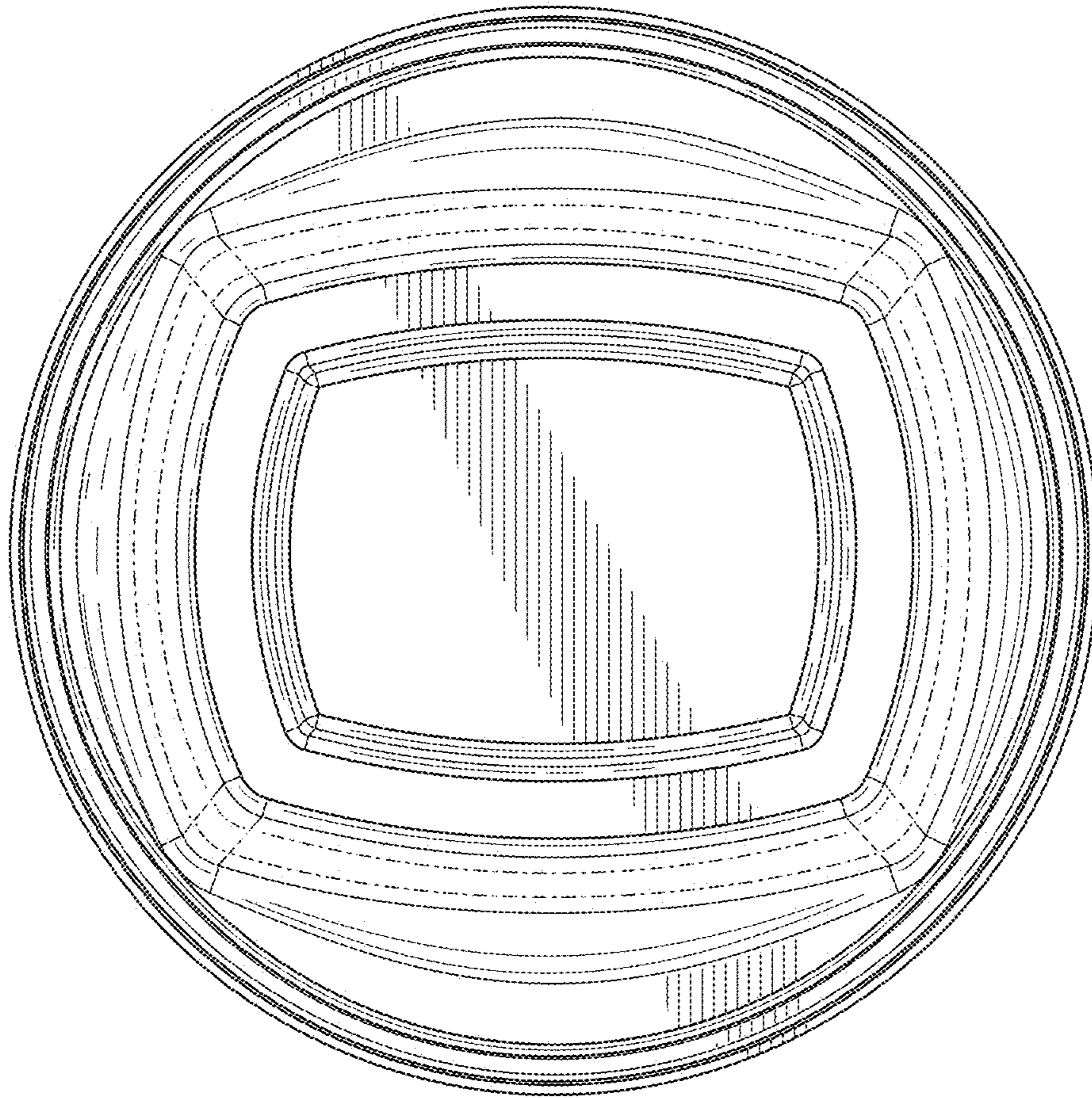


FIG. 6





**FIG. 7**



**FIG. 8**