

US00D764904S

(12) **United States Design Patent** (10) **Patent No.:** **US D764,904 S**
Moseri (45) **Date of Patent:** **** Aug. 30, 2016**

- (54) **PRODUCT PACKAGE**
- (71) Applicant: **Moseri Group, Inc.**, Alpharetta, GA (US)
- (72) Inventor: **Tex O. Moseri**, Alpharetta, GA (US)
- (73) Assignee: **Moseri Group, Inc.**, Alpharetta, GA (US)
- (**) Term: **14 Years**
- (21) Appl. No.: **29/508,160**
- (22) Filed: **Nov. 4, 2014**
- (51) **LOC (10) Cl.** **09-03**
- (52) **U.S. Cl.**
USPC **D9/419; D9/414; D9/432; D9/433**
- (58) **Field of Classification Search**
USPC D9/414-419, 499, 431-434, 721; D18/156; 206/777, 822; 229/114, 229/117.01, 217; D28/76; D30/161; D3/294
CPC B65D 83/0805; B65D 81/368; B65D 5/2047; B65D 5/3628; B65D 5/701
See application file for complete search history.

- D411,799 S * 7/1999 Davis D9/721
- D412,398 S * 8/1999 Watabe D3/294
- D438,791 S * 3/2001 Tsuruishi D9/433
- D455,347 S * 4/2002 Robinson D9/433
- D465,156 S * 11/2002 Glover D9/433
- D482,615 S * 11/2003 Morin D9/433
- D490,703 S * 6/2004 Rusnock D9/416
- 6,761,269 B2 * 7/2004 Hamming B65D 83/0805
206/777
- D528,905 S * 9/2006 Sholeen D9/418
- D562,127 S * 2/2008 Croft D9/415
- D562,887 S * 2/2008 Seo D18/56
- D582,264 S * 12/2008 Snyder D9/423

(Continued)

Primary Examiner — Holly Baynham
Assistant Examiner — Rhea Shields
(74) *Attorney, Agent, or Firm* — Brient Globerman, LLC; Kyle M. Globerman

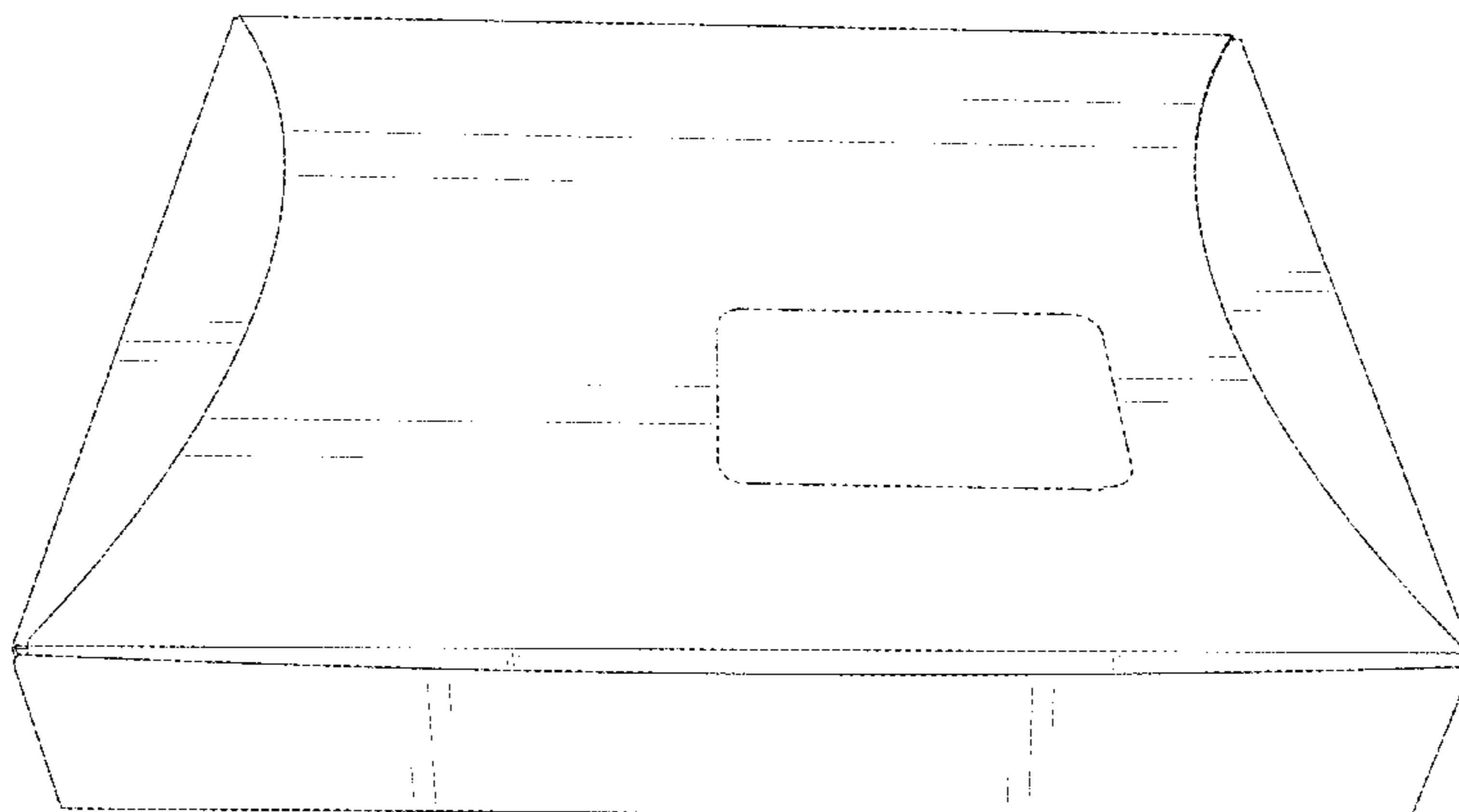
(57) **CLAIM**
The ornamental design of a product package, substantially as shown and described.

DESCRIPTION

FIG. 1 is a top perspective view of a product package embodying the design of the present invention; FIG. 2 is a top perspective view of the product package shown in FIG. 1; FIG. 3 is a top perspective view of the product package shown in FIG. 1; FIG. 4 is a top perspective view of the product package shown in FIG. 1; FIG. 5 is a top perspective view of the product package shown in FIG. 1; FIG. 6 is a top view of the product package shown in FIG. 1 in a blank configuration; and, FIG. 7 is a bottom view of the product package shown in FIG. 1 in a blank configuration. In the drawings the dash-dash broken lines are for the purpose of illustrating fold lines and form a part of the claimed design. The dash-dot-dot lines are for the purpose of illustrating the claimed boundaries.

1 Claim, 7 Drawing Sheets

- (56) **References Cited**
U.S. PATENT DOCUMENTS
1,553,793 A * 9/1925 Rozowsky B65D 81/368
206/822
1,956,802 A * 5/1934 Madison B65D 5/2047
229/114
2,594,394 A * 4/1952 Casselman B65D 5/3628
229/117.01
D262,946 S * 2/1982 Mills D9/433
D265,890 S * 8/1982 Fallen D9/433
D297,774 S * 9/1988 Sussman D28/76
D306,402 S * 3/1990 Colla D9/414
D316,372 S * 4/1991 Boggus, Jr. D9/433
5,145,111 A * 9/1992 Giblin B65D 5/701
229/217
D372,565 S * 8/1996 Rice D30/161
D394,385 S * 5/1998 Laughlin D9/431



(56)

References Cited

U.S. PATENT DOCUMENTS

D587,112 S * 2/2009 Magnusson D9/433
D601,419 S * 10/2009 Sant' Ana Caceres D9/433
D635,018 S * 3/2011 Wallace D9/433
D652,294 S * 1/2012 Seneca D9/418
D675,095 S * 1/2013 Villiers D9/434
D691,464 S * 10/2013 Lee D9/415

D695,101 S * 12/2013 Keberlein D9/416
D697,789 S * 1/2014 Gerdes D9/417
D702,116 S * 4/2014 Buchanan D9/416
D726,025 S * 4/2015 Somers D9/416
D742,739 S * 11/2015 Kim D9/433
D743,254 S * 11/2015 Kim D9/433
D745,391 S * 12/2015 Palmer D9/433
D749,946 S * 2/2016 Katopo D9/433
D751,895 S * 3/2016 Bellamah D9/432

* cited by examiner

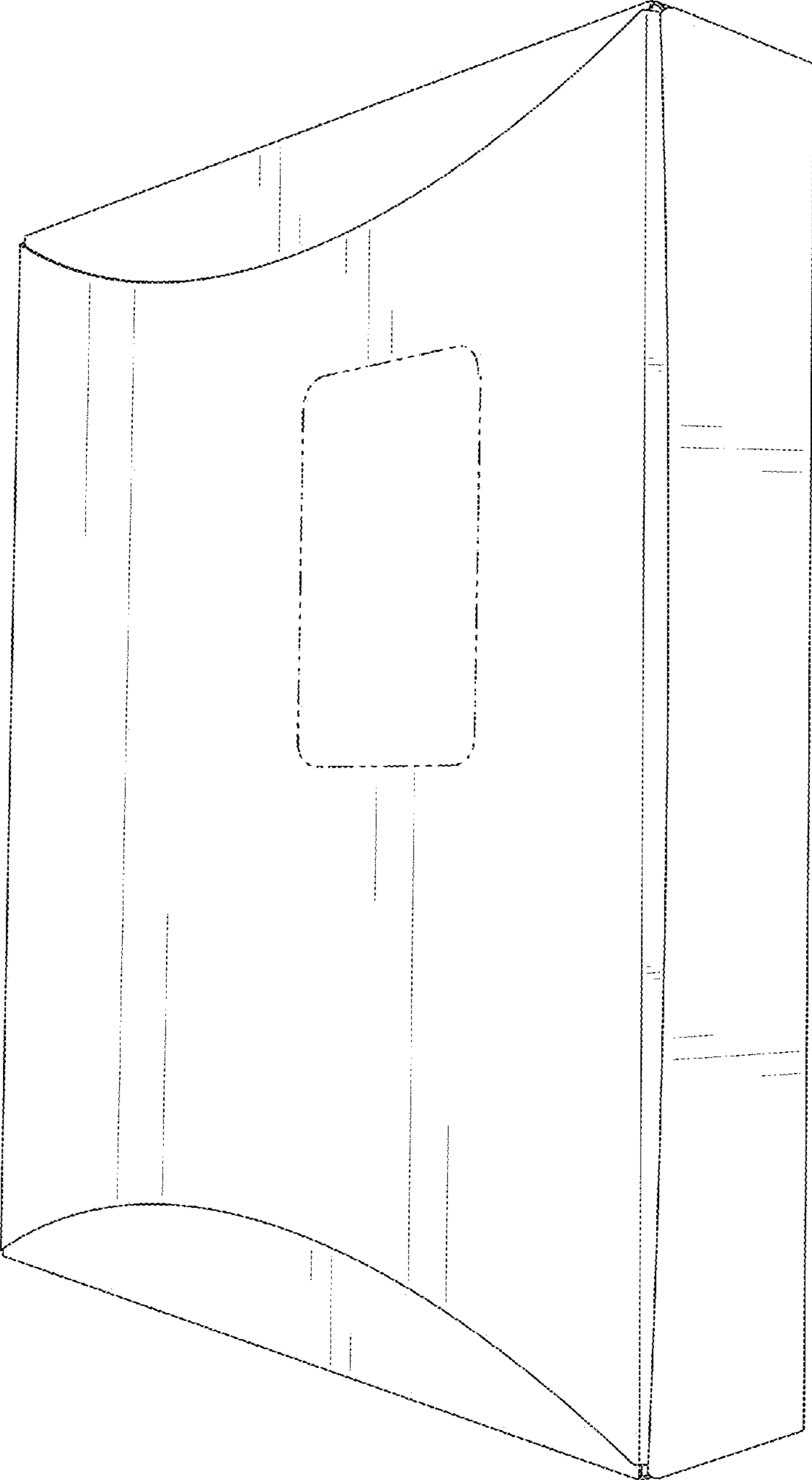


FIG. 1

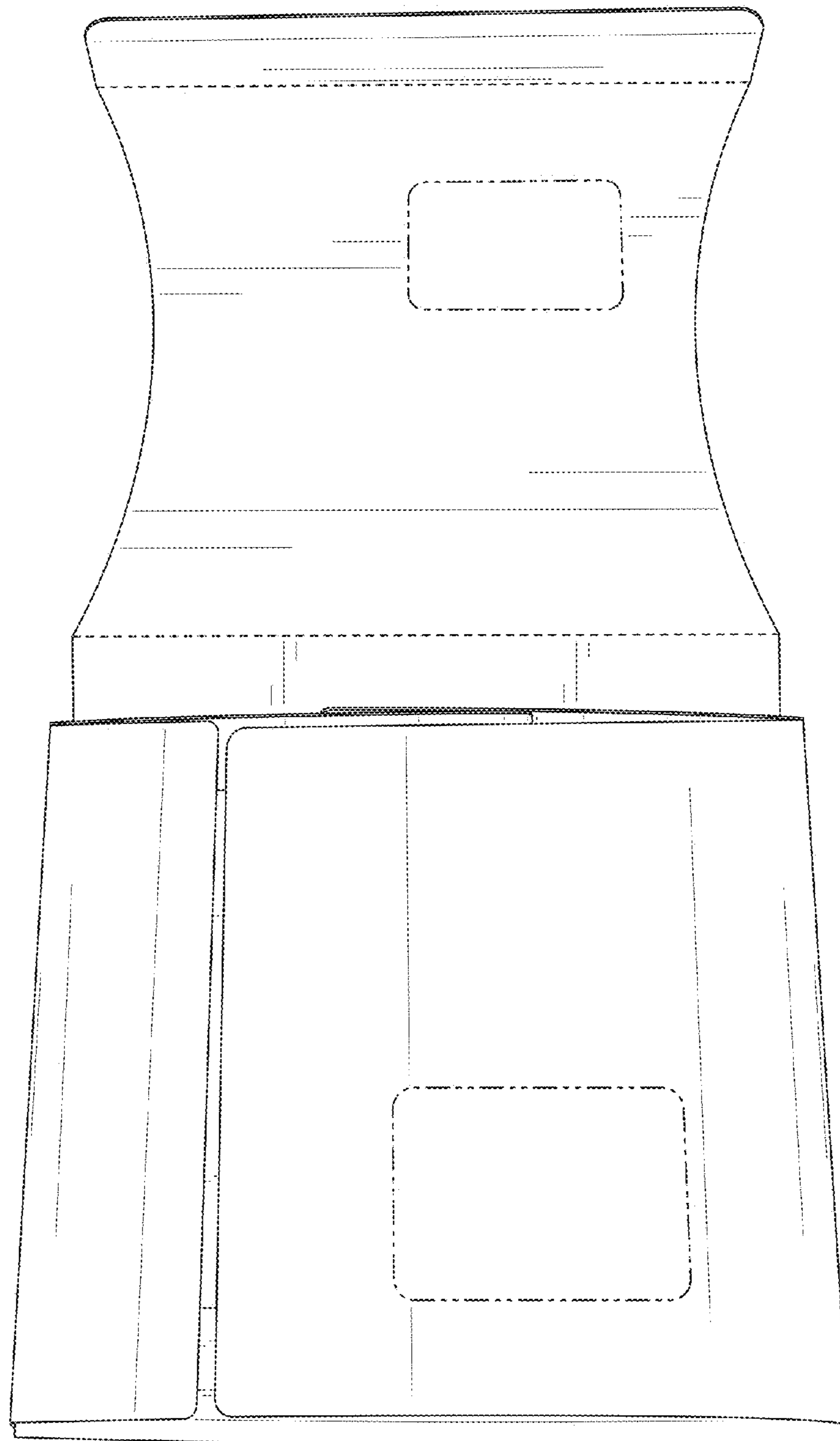


FIG. 2

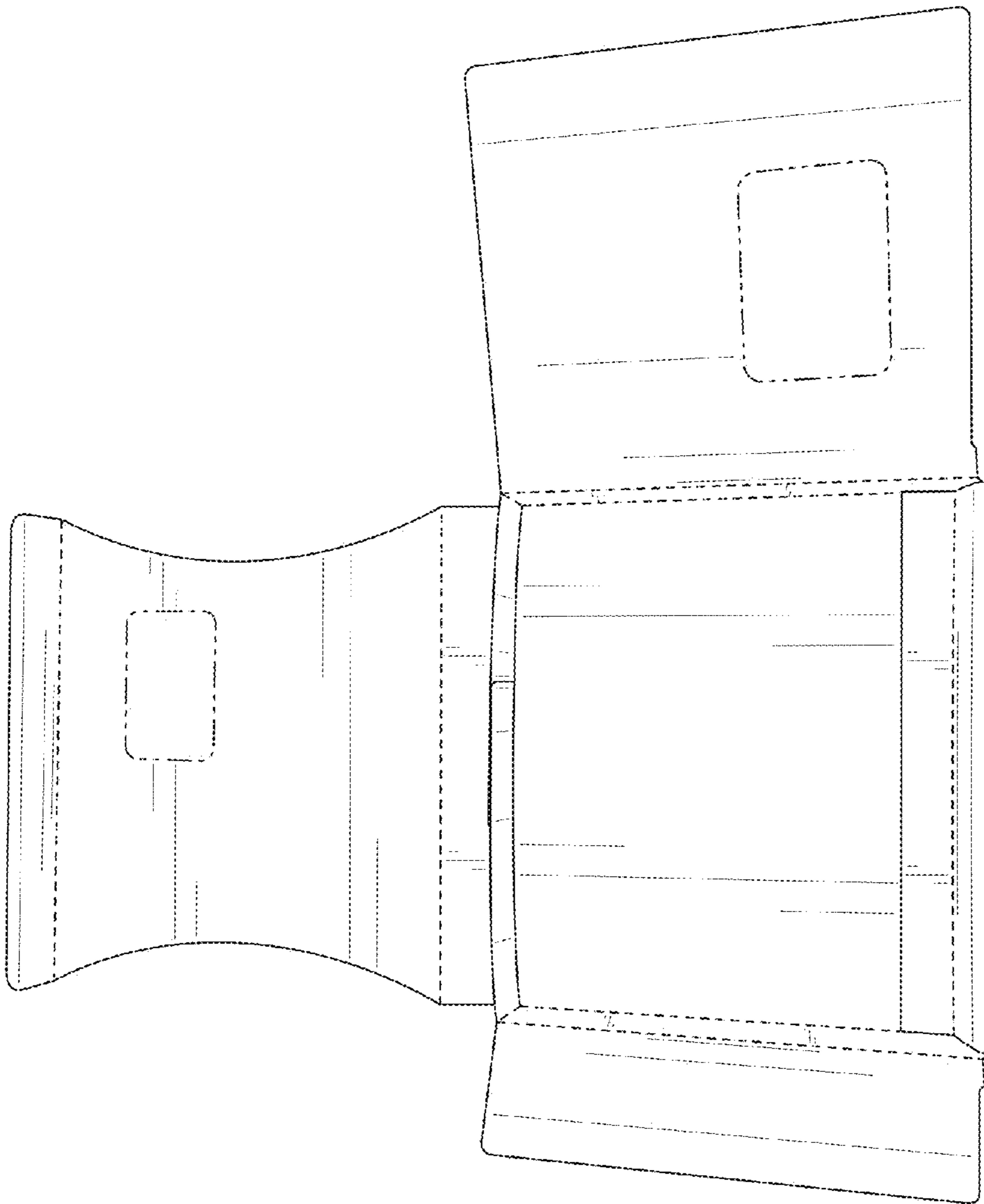


FIG. 3

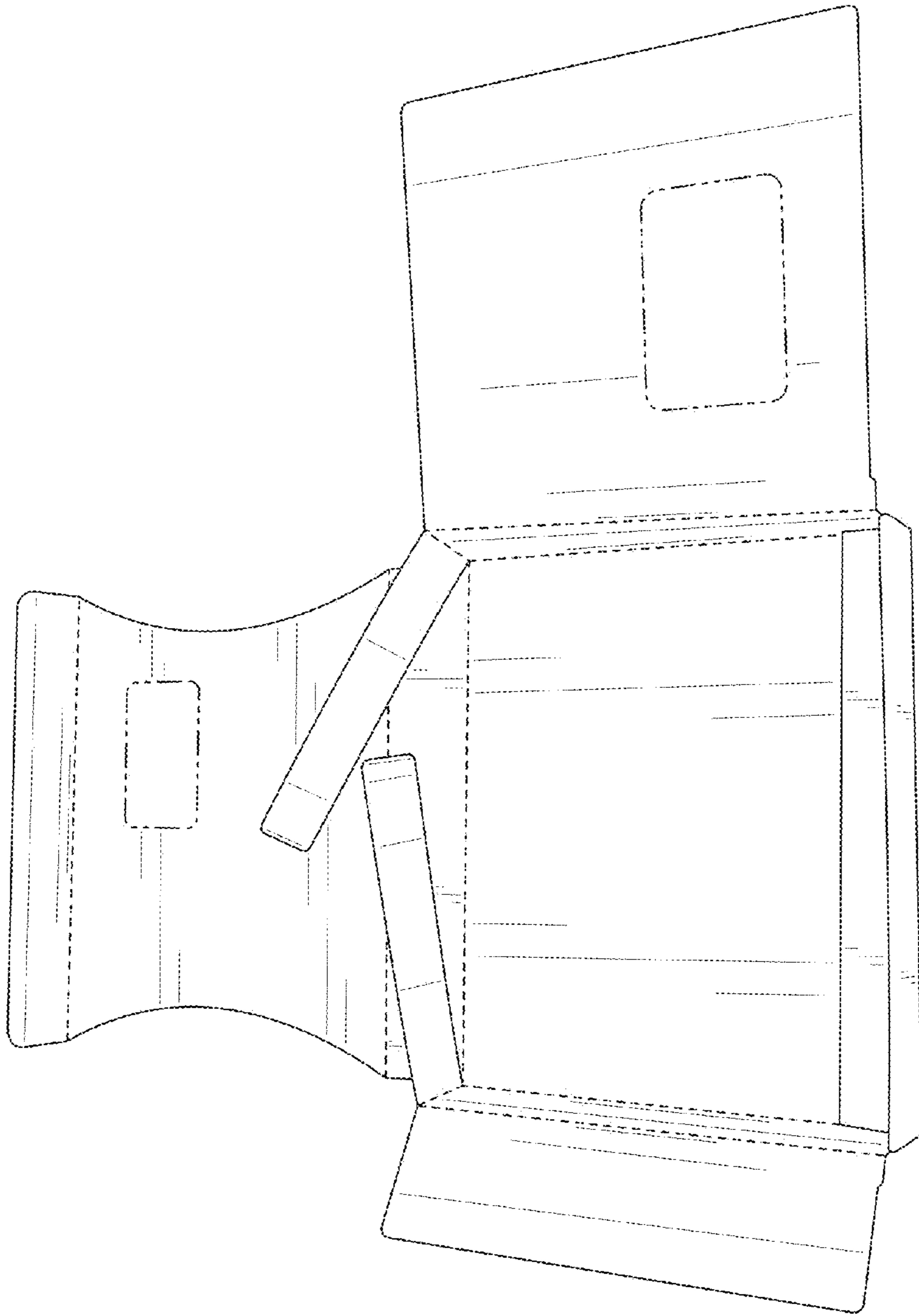


FIG. 4

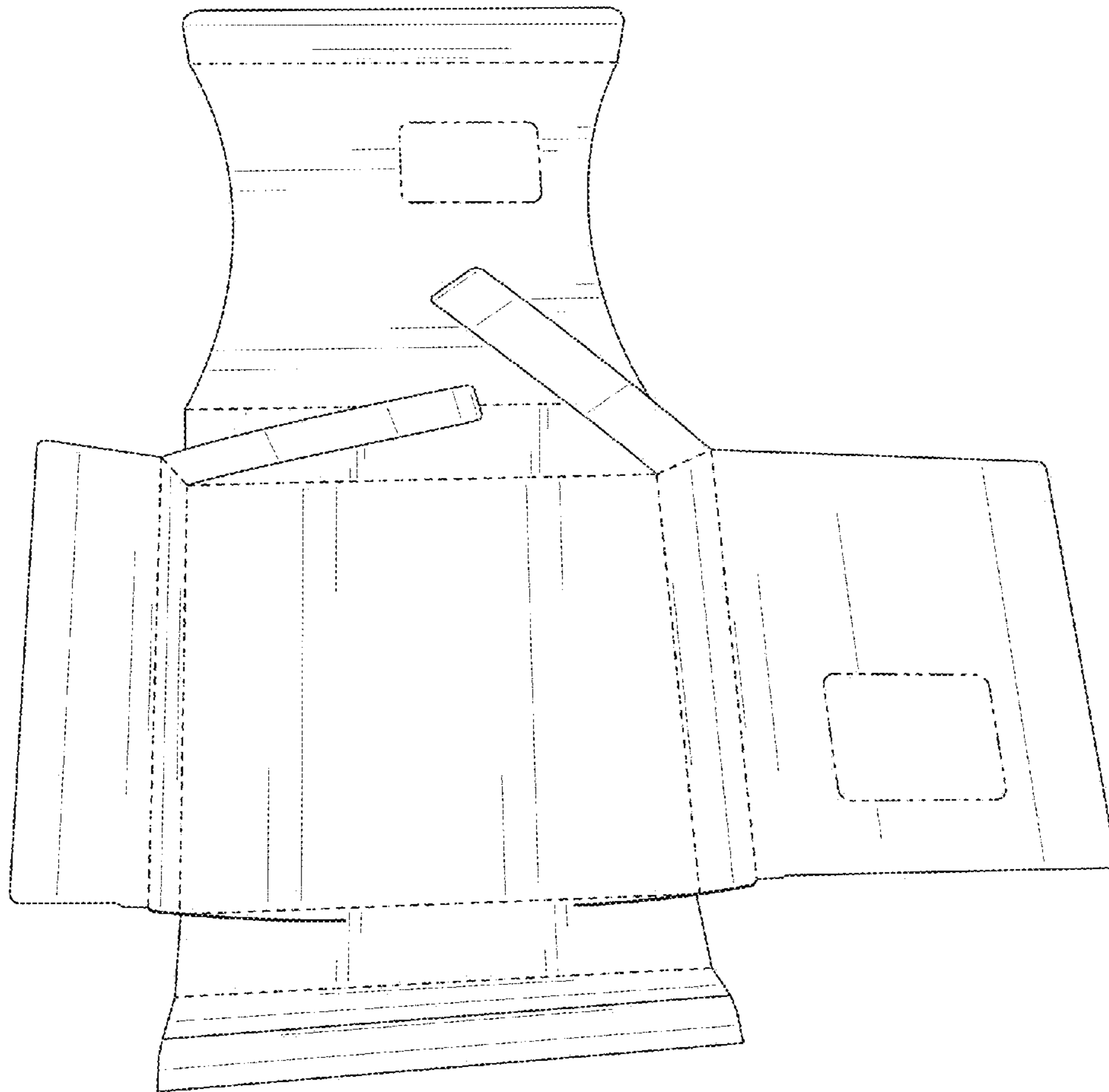


FIG. 5

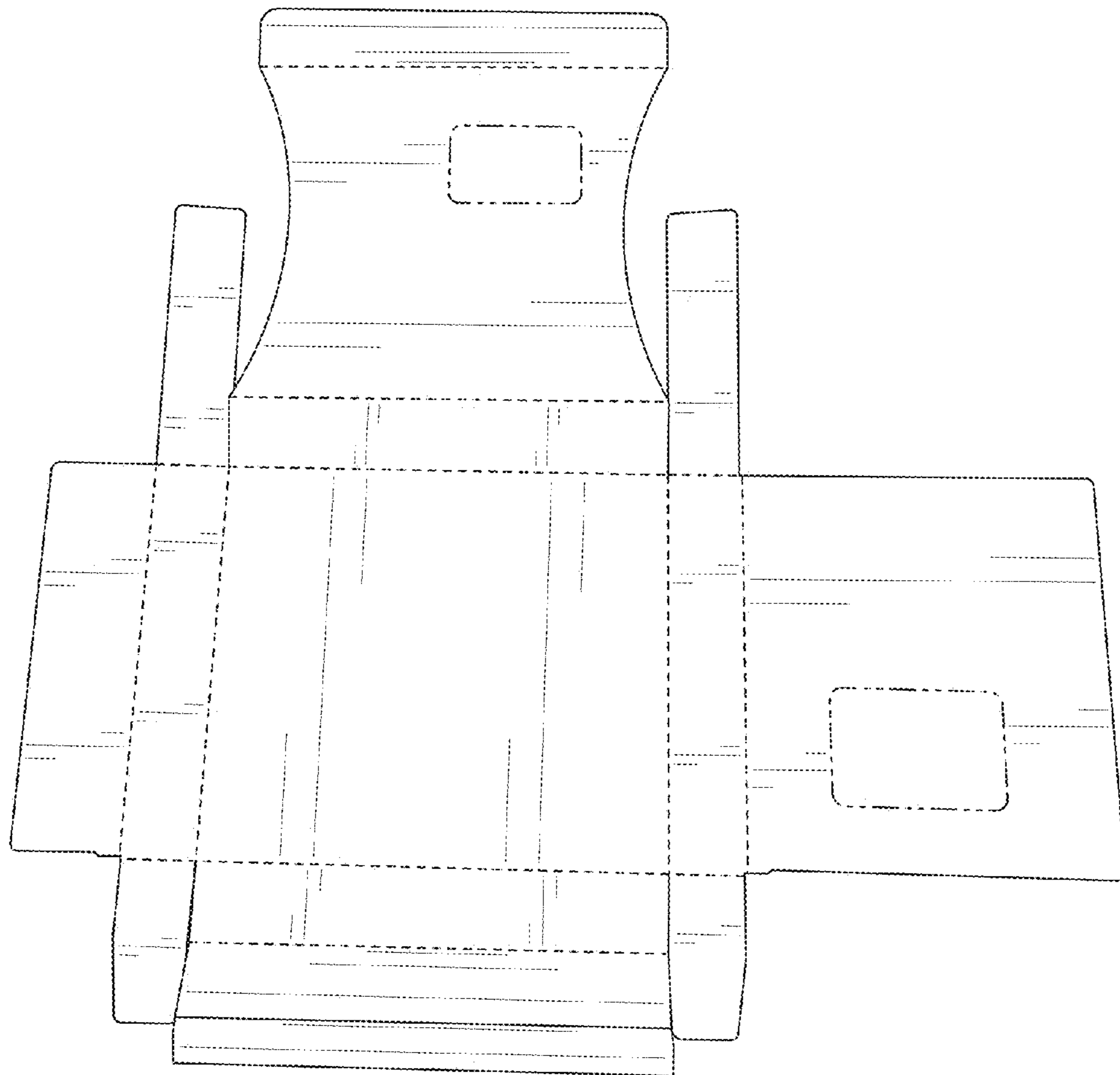


FIG. 6

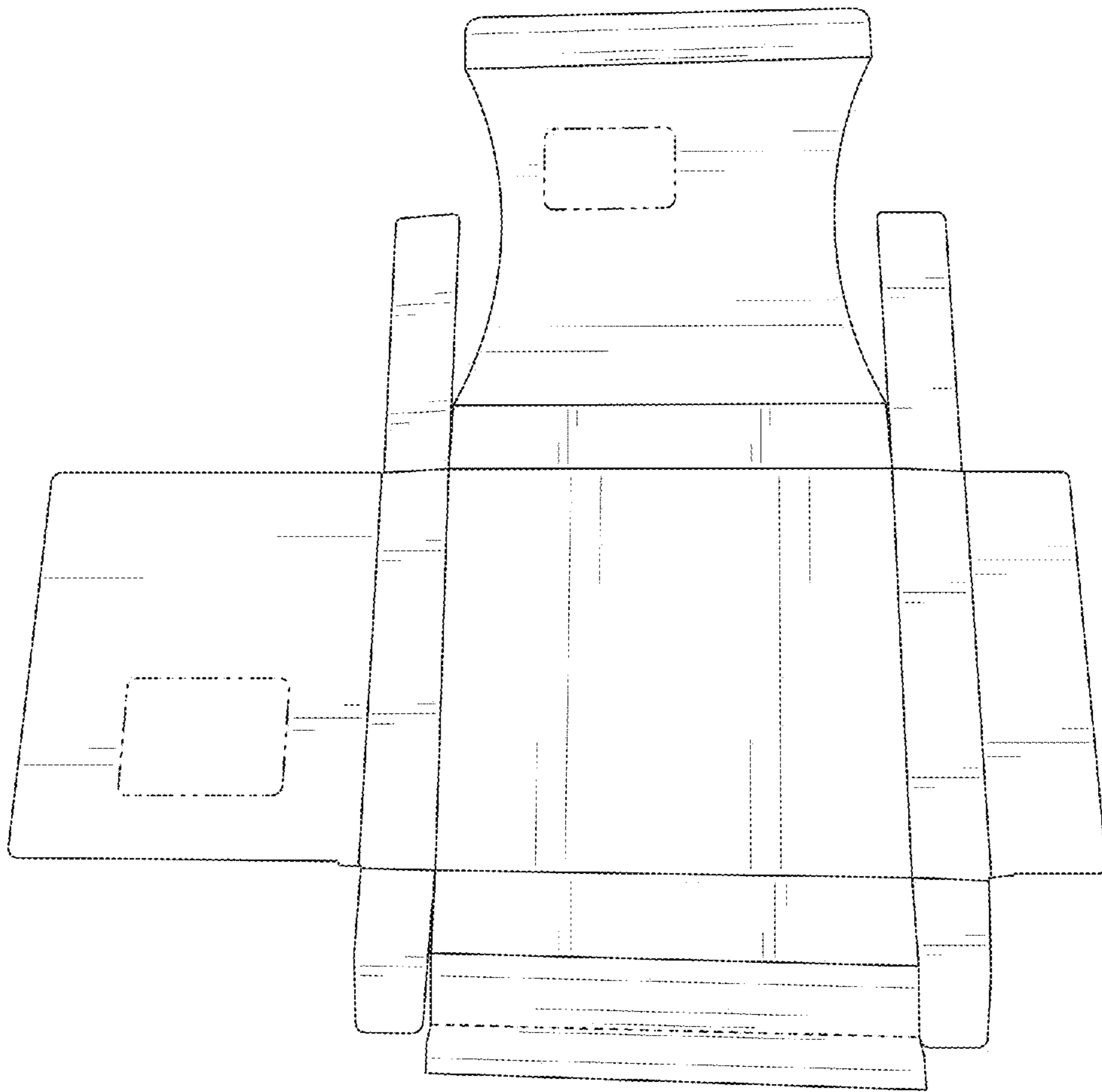


FIG. 7