



US00D764903S

(12) **United States Design Patent**  
**Sanfilippo et al.**

(10) **Patent No.:** **US D764,903 S**

(45) **Date of Patent:** **\*\* Aug. 30, 2016**

(54) **PACKAGE**

(71) Applicant: **CLEAR LAM PACKAGING, INC.**,  
Elk Grove Village, IL (US)

(72) Inventors: **James J. Sanfilippo**, Barrington Hills,  
IL (US); **Milorad Radenovic**, Chicago,  
IL (US); **Ricardo Costa**, Schaumburg,  
IL (US)

(73) Assignee: **CLEAR LAM PACKAGING, INC.**,  
Elk Grove Village, IL (US)

(\*\*) Term: **15 Years**

(21) Appl. No.: **29/531,404**

(22) Filed: **Jun. 25, 2015**

(51) **LOC (10) Cl.** ..... **09-03**

(52) **U.S. Cl.**  
USPC ..... **D9/416**

(58) **Field of Classification Search**  
USPC ..... D9/414-419, 432, 499, 722, 703, 434,  
D9/423; D19/28; 229/103.2, 117.13  
CPC ..... B65D 75/5833; B65D 71/36  
See application file for complete search history.

(56) **References Cited**

**U.S. PATENT DOCUMENTS**

D274,824 S \* 7/1984 Hunt ..... D19/28  
7,100,769 B2 \* 9/2006 Toure ..... B65D 75/5833  
206/233

(Continued)

**OTHER PUBLICATIONS**

Design U.S. Appl. No. 29/440,136, "Package", Sanfilippo et al.,  
filed Dec. 19, 2012.

(Continued)

*Primary Examiner* — Holly Baynham

*Assistant Examiner* — Rhea Shields

(74) *Attorney, Agent, or Firm* — Marshall, Gerstein &  
Borun LLP

(57) **CLAIM**

The ornamental design for a package, as shown and  
described.

**DESCRIPTION**

FIG. 1 is a front, right-side, and top view of a package;  
showing the first embodiment of our new design, with the lid  
in a closed position;

FIG. 2 is a top plan view of the package.

FIG. 3 is a front elevation view of the package.

FIG. 4 is a right-side elevation view of the package.

FIG. 5 is a back elevation view of the package.

FIG. 6 is a left-side elevation view of the package.

FIG. 7 is a bottom plan view of the package.

FIG. 8 is front, left-side, and top view of the package.

FIG. 9 is a front, right-side, and bottom view of the package.

FIG. 10 is a back, right-side, and top view of the package.

FIG. 11 is a front, right-side, and top view of a package, with  
the lid in an open position.

FIG. 12 is a top plan view of the package.

FIG. 13 is a front elevation view of the package.

FIG. 14 is a right-side elevation view of the package.

FIG. 15 is a back elevation view of the package.

FIG. 16 is a left-side elevation view of the package.

FIG. 17 is a bottom plan view of the package.

FIG. 18 is front, left-side, and top view of the package.

FIG. 19 is a front, right-side, and bottom view of the  
package.

FIG. 20 is a back, right-side, and top view of the package.

FIG. 21 is a front, right-side, and top view of a taller  
package; showing the second embodiment of our new  
design, as shown in FIGS. 1-20;

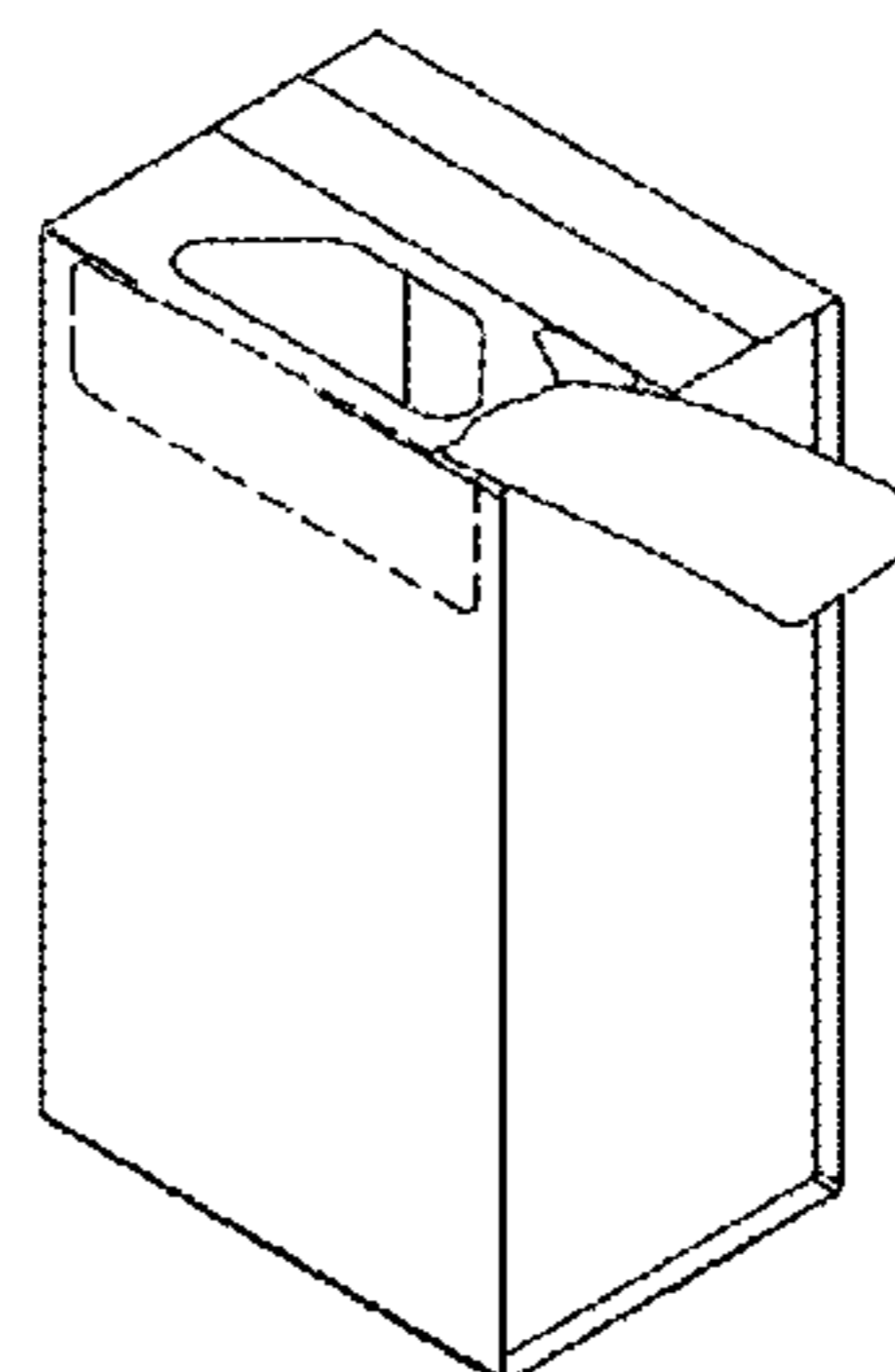
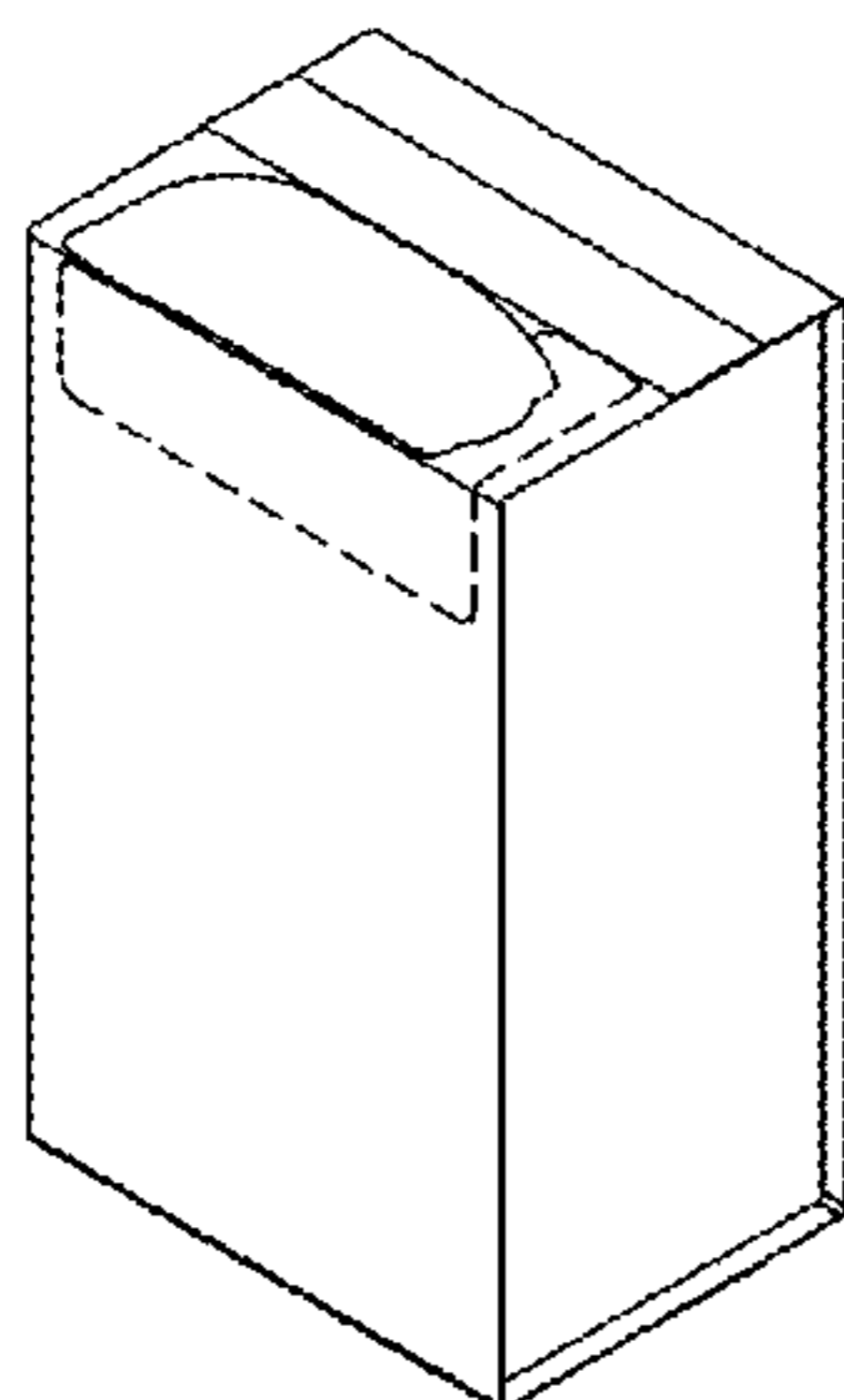
FIG. 22 is a front, right-side, and top view of a shorter  
package; showing the third embodiment of our new design,  
as shown in FIGS. 1-20;

FIG. 23 is a front, right-side, and top view of a wider  
package; showing the fourth embodiment of our new design,  
as shown in FIGS. 1-20; and,

FIG. 24 is a front, right-side, and top view of a deeper  
package; showing the fifth embodiment of our new design,  
as shown in FIGS. 1-20.

In the drawings, the broken lines are for the purpose of  
illustrating environment only and form no part of the  
claimed design.

**1 Claim, 16 Drawing Sheets**



(56)

References Cited

U.S. PATENT DOCUMENTS

D623,513 S \* 9/2010 Kelly ..... D9/423  
8,453,919 B2 \* 6/2013 Eckermann ..... B65D 71/36  
229/117.13  
D696,107 S \* 12/2013 Kimple ..... D9/416  
D721,575 S \* 1/2015 Paboojian ..... D9/423  
D726,535 S \* 4/2015 Sanfilippo ..... D9/434  
D734,144 S \* 7/2015 Sanfilippo ..... D9/416  
D738,202 S \* 9/2015 Stone ..... D9/418  
D740,114 S \* 10/2015 Sanfilippo ..... D9/416  
D743,271 S \* 11/2015 Bellingham, IV ..... D9/703  
D745,389 S \* 12/2015 Roquemore ..... D9/418  
D746,672 S \* 1/2016 McNamee ..... D9/416  
D746,673 S \* 1/2016 Sanfilippo ..... D9/416

D747,646 S \* 1/2016 Sanfilippo ..... D9/416  
D749,945 S \* 2/2016 Katopo ..... D9/432  
D750,477 S \* 3/2016 Sanfilippo ..... D9/416  
2007/0199979 A1 \* 8/2007 Holley ..... B65D 71/36  
229/103.2

OTHER PUBLICATIONS

Design U.S. Appl. No. 29/472,436, "Package", Sanfilippo et al.,  
filed Nov. 12, 2013.  
Design U.S. Appl. No. 29/472,440, "Package", Sanfilippo et al.,  
filed Nov. 12, 2013.  
Design U.S. Appl. No. 29/484,311, "Packages", Sanfilippo et al.,  
filed Mar. 7, 2014.

\* cited by examiner

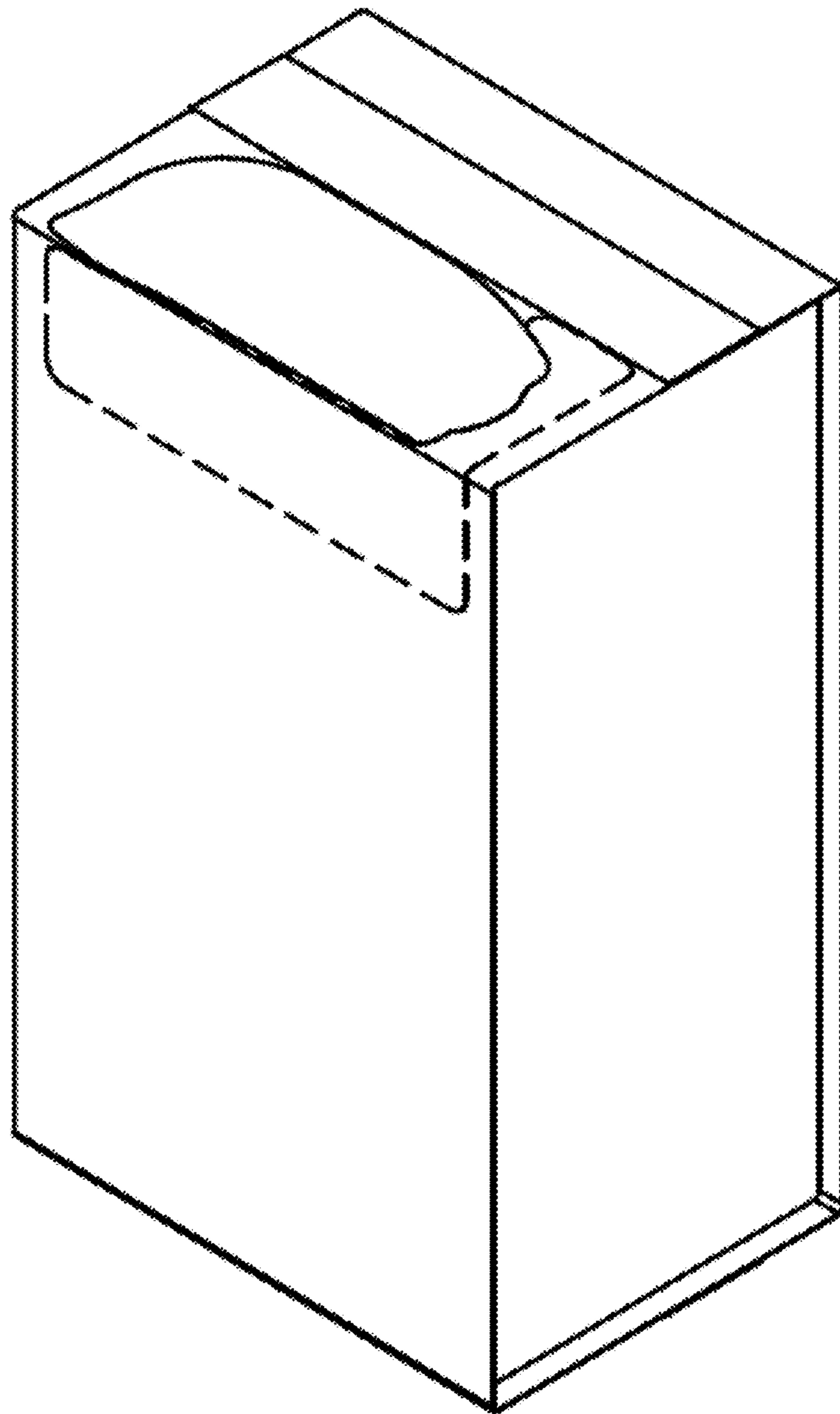


Fig. 1

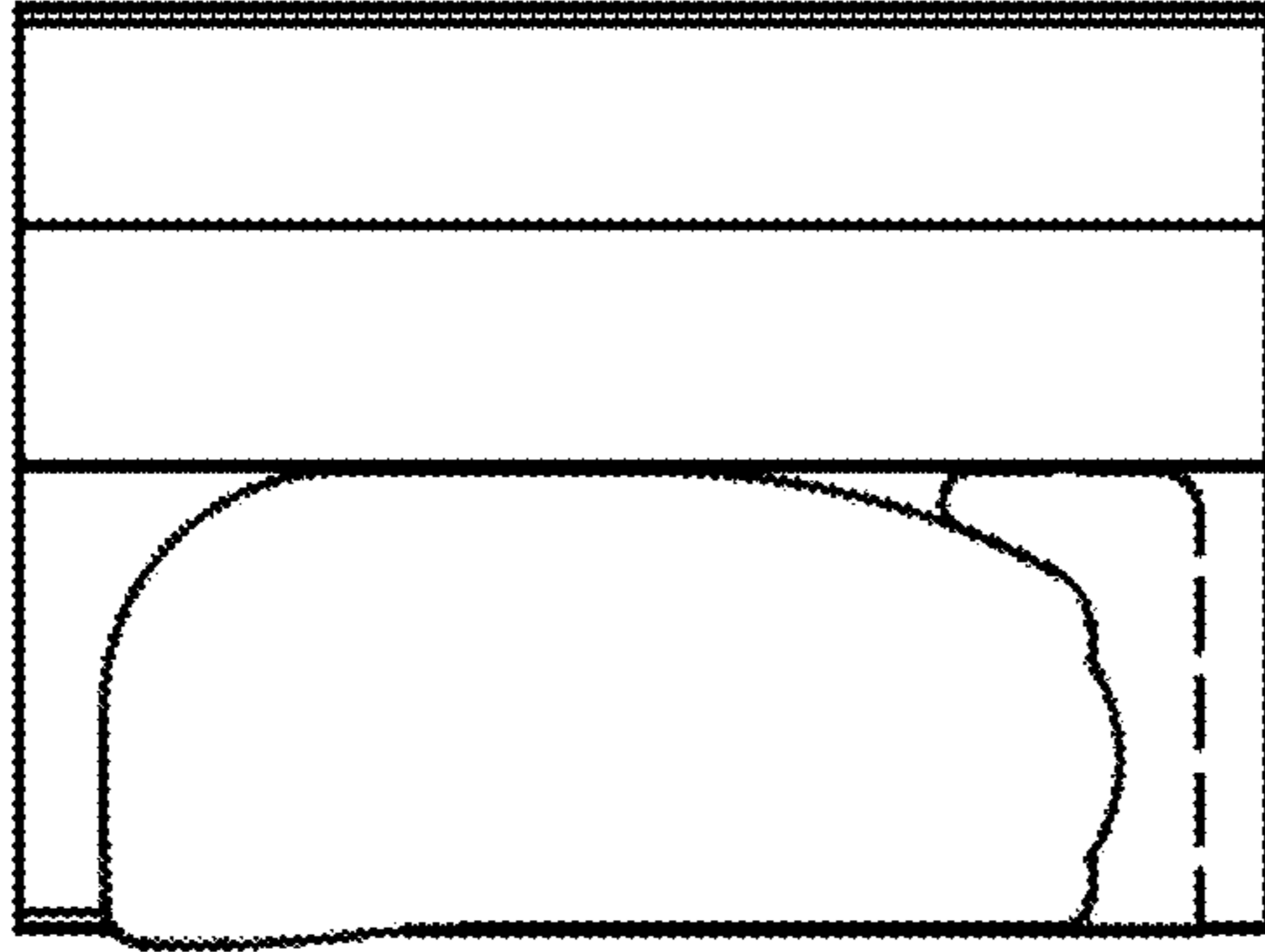


Fig. 2

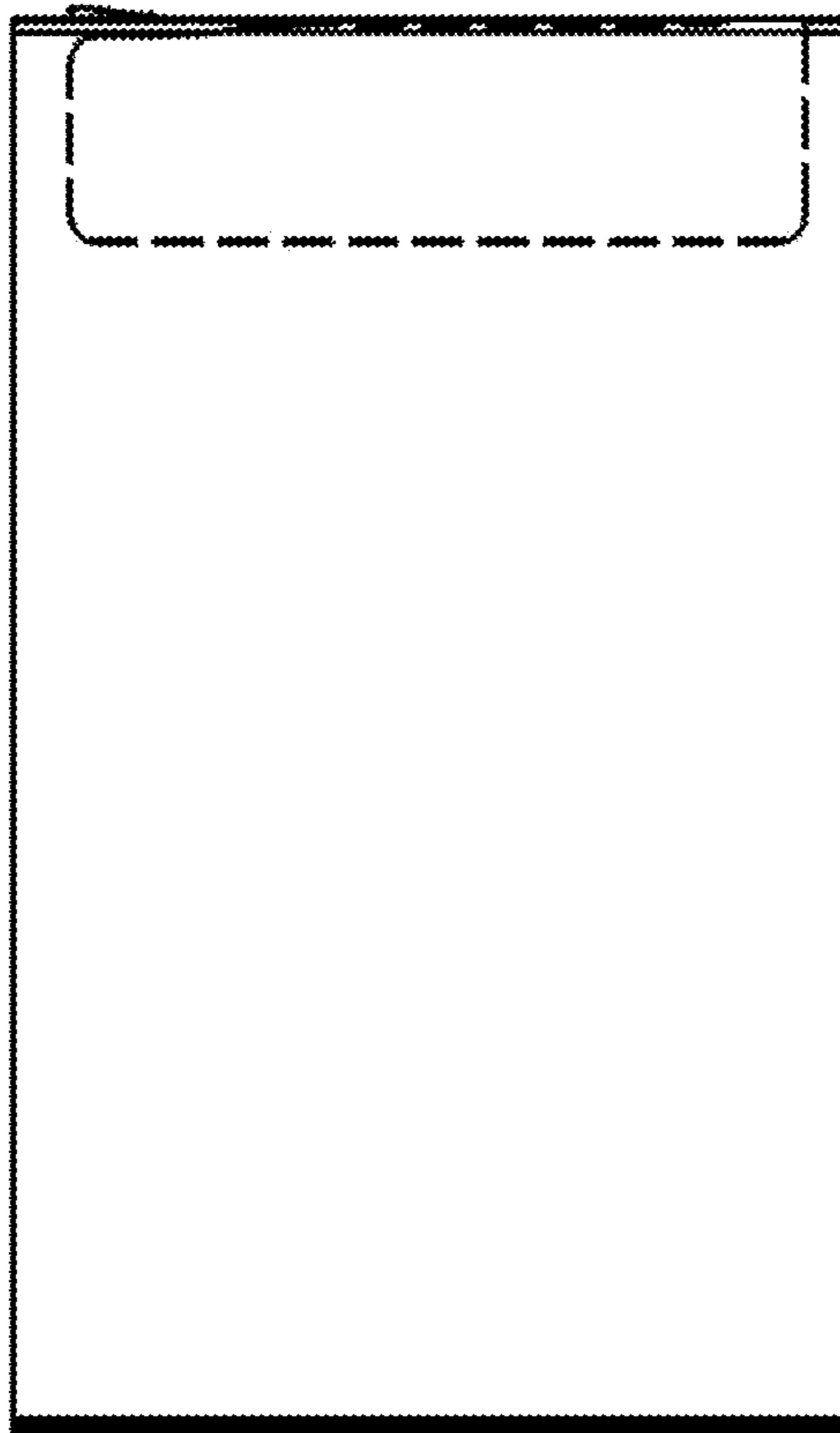


Fig. 3

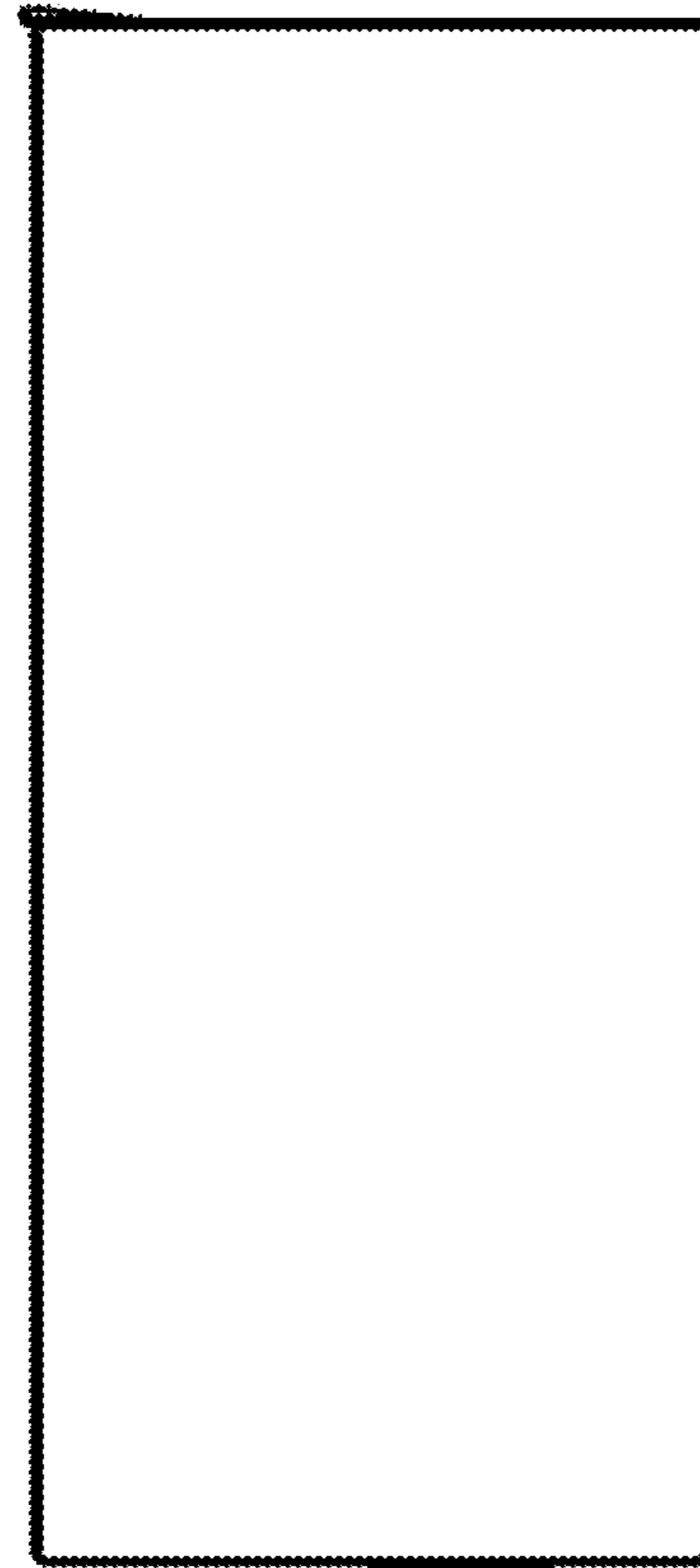


Fig. 4

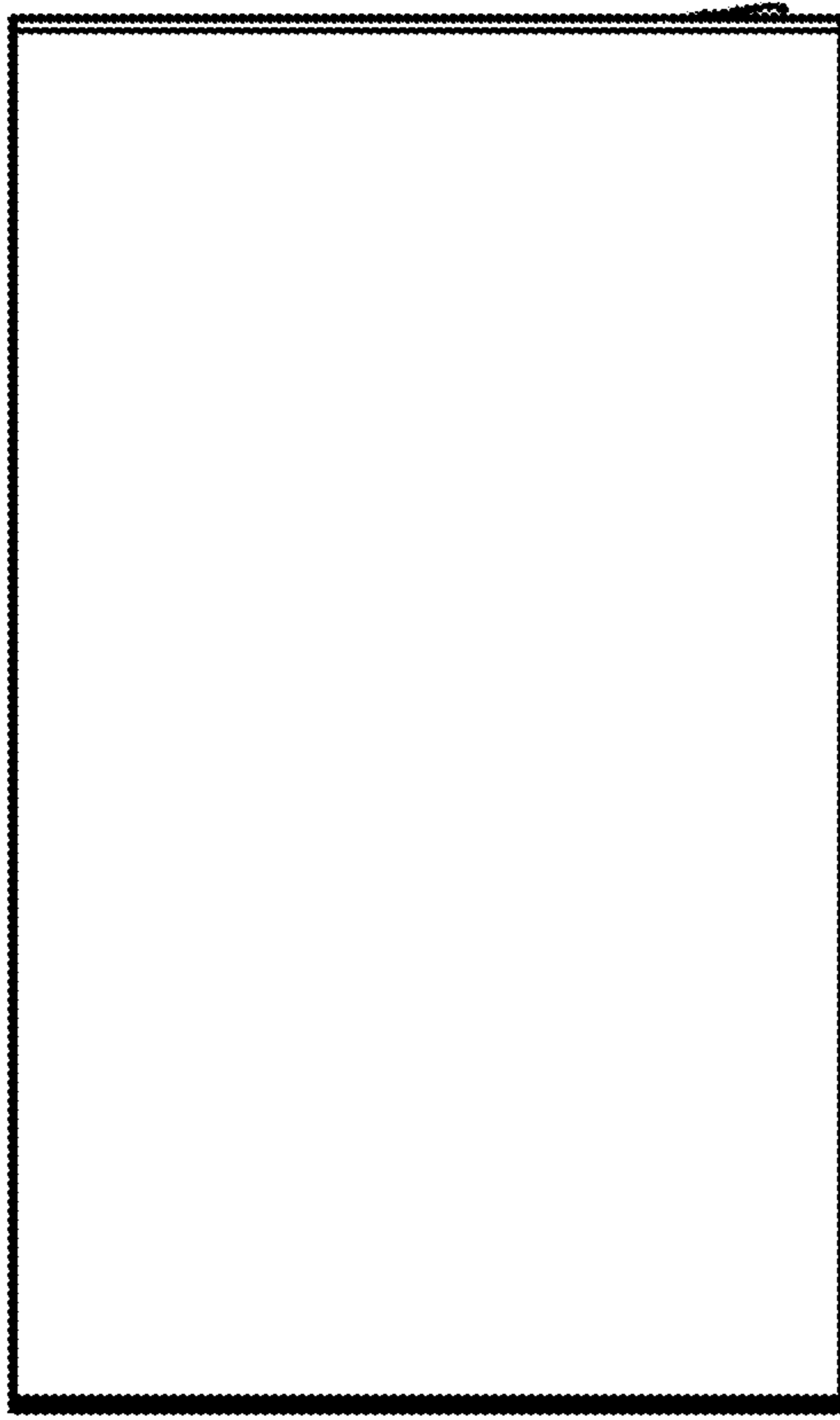


Fig. 5

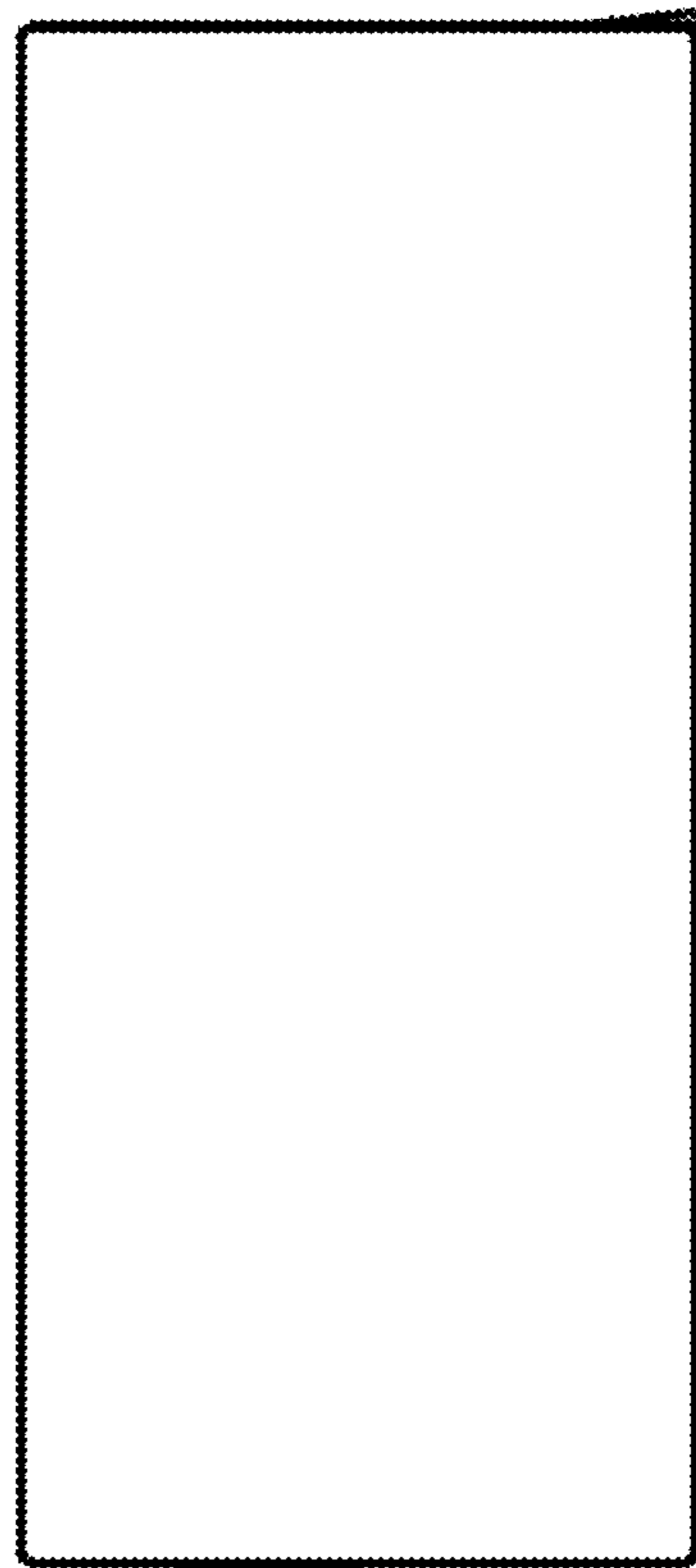


Fig. 6



Fig. 7

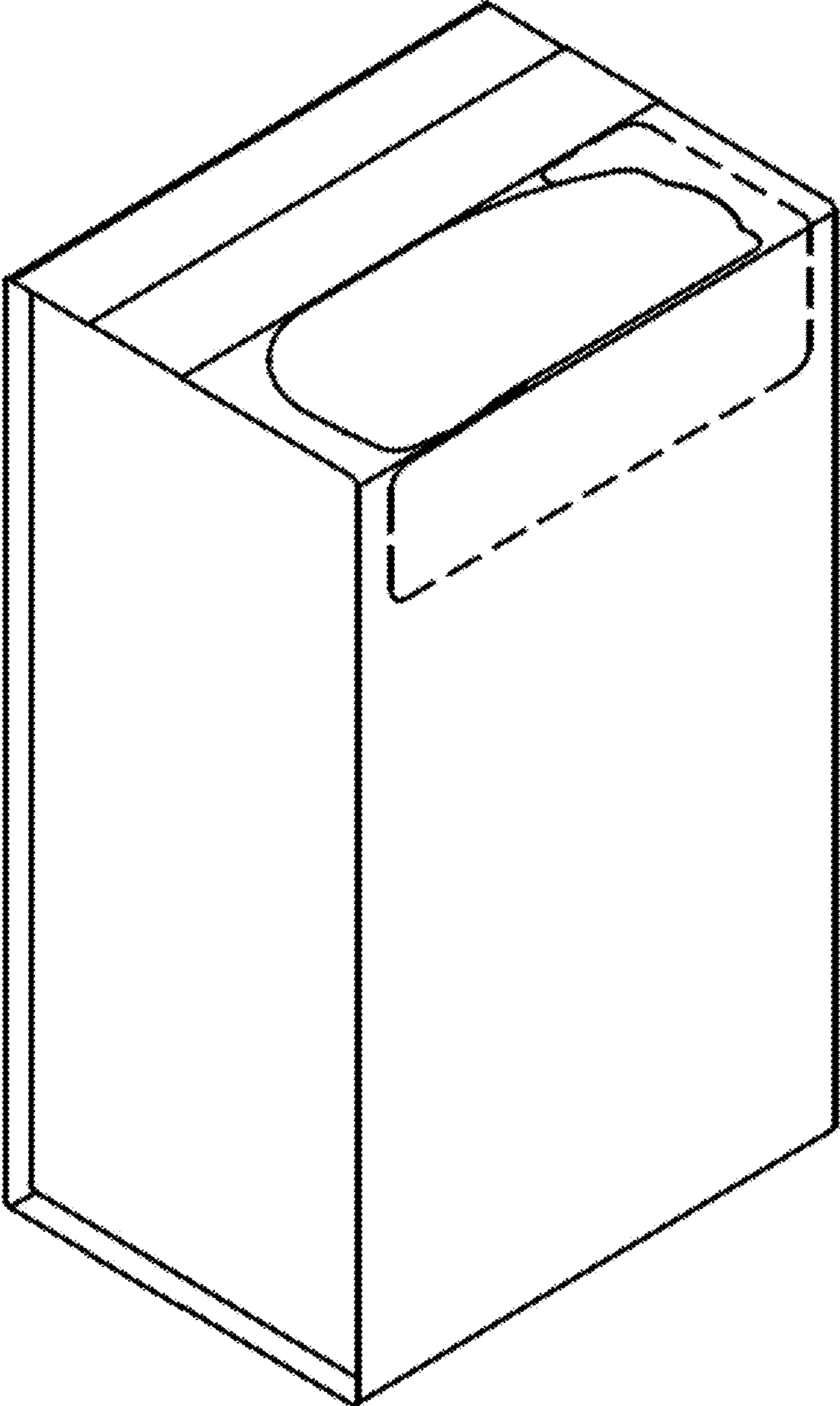


Fig. 8

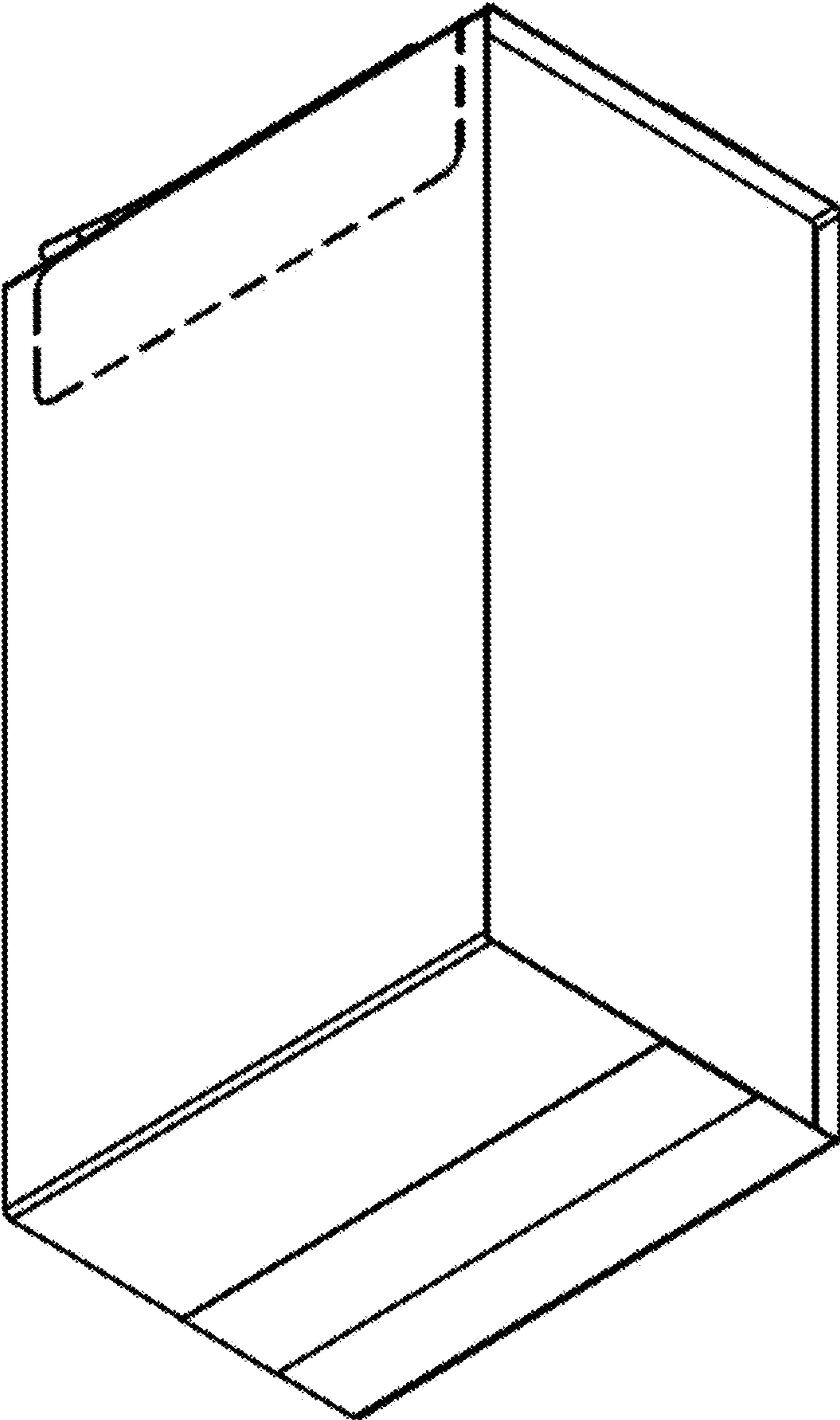


Fig. 9

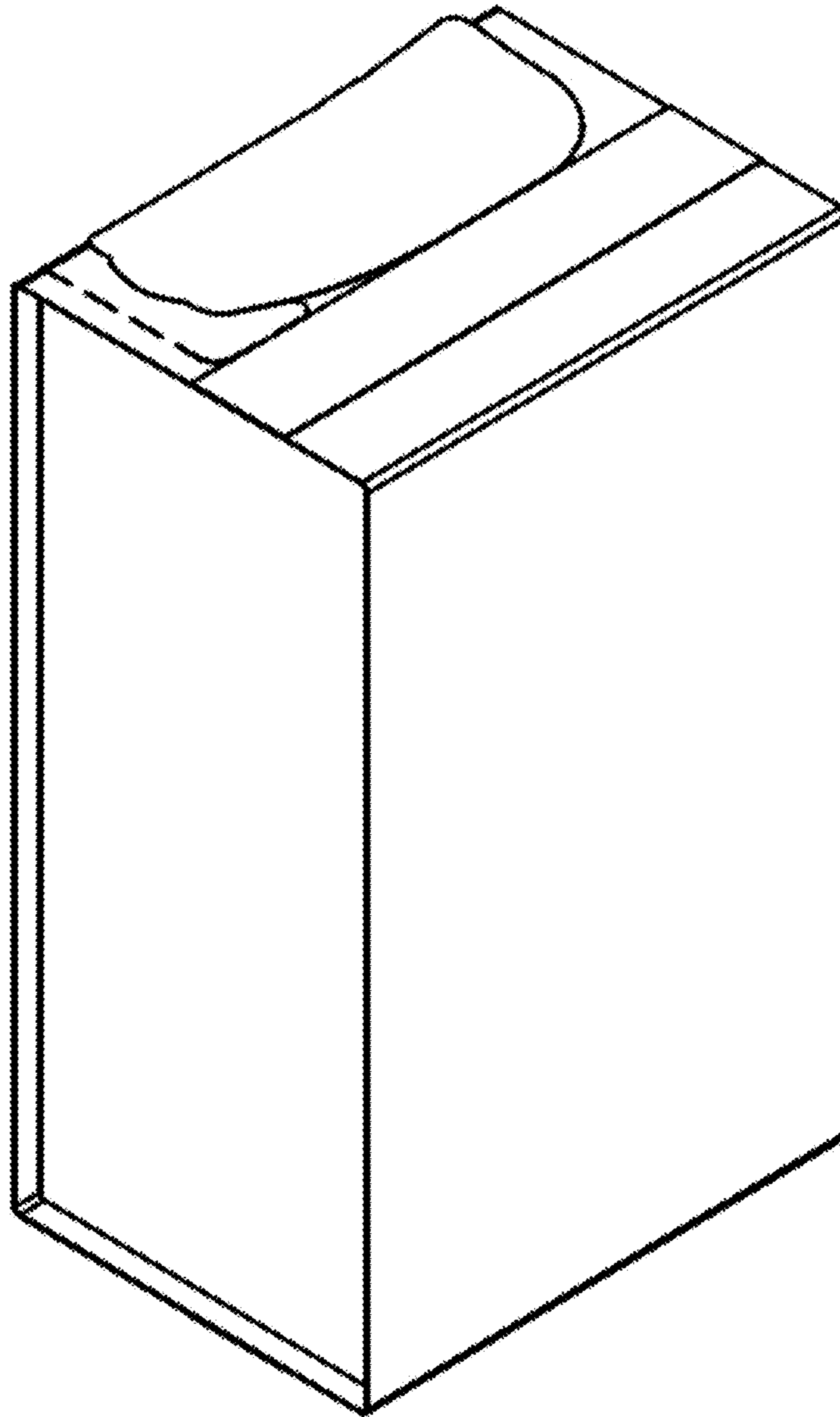


Fig. 10



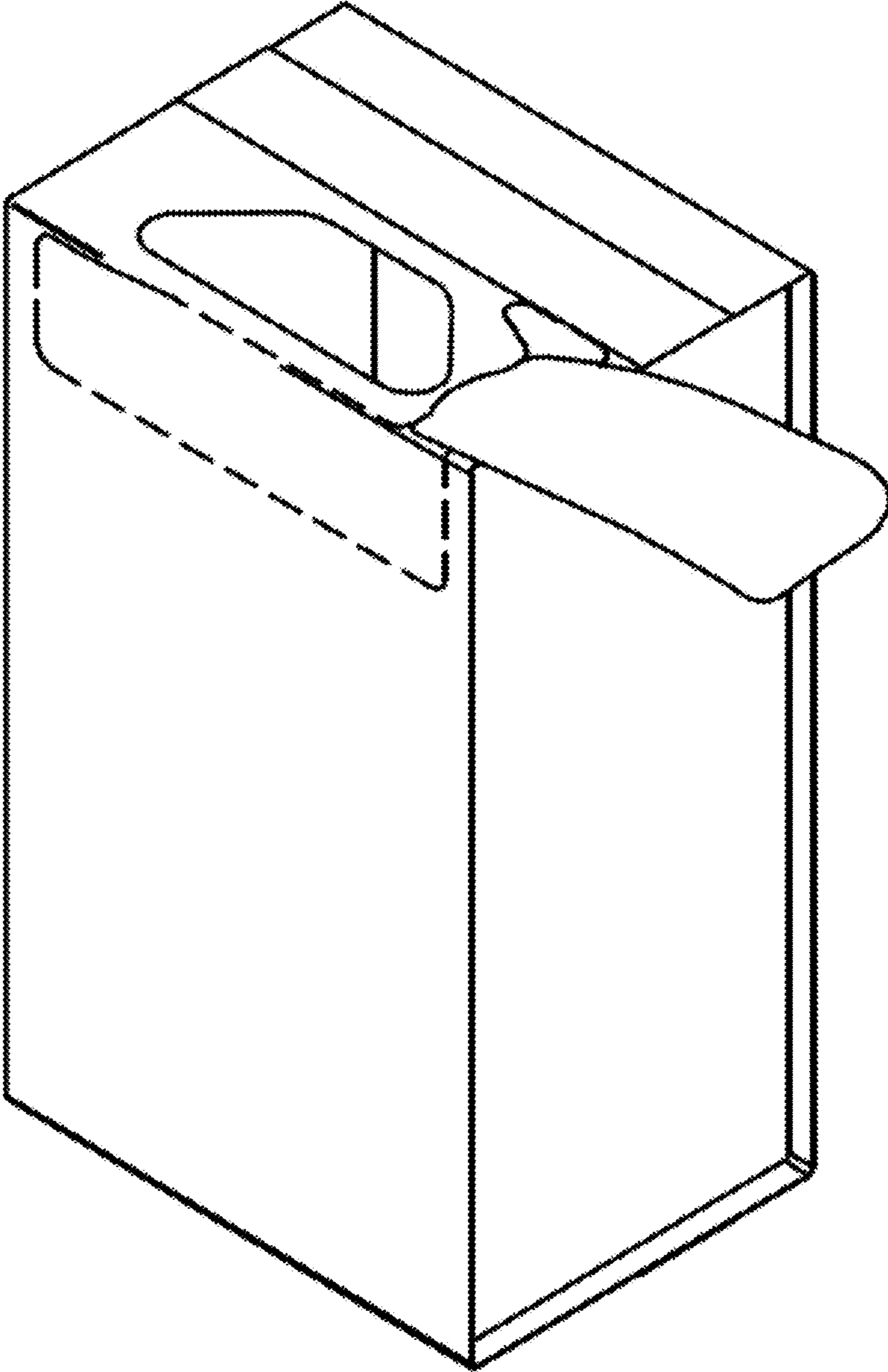


Fig. 11

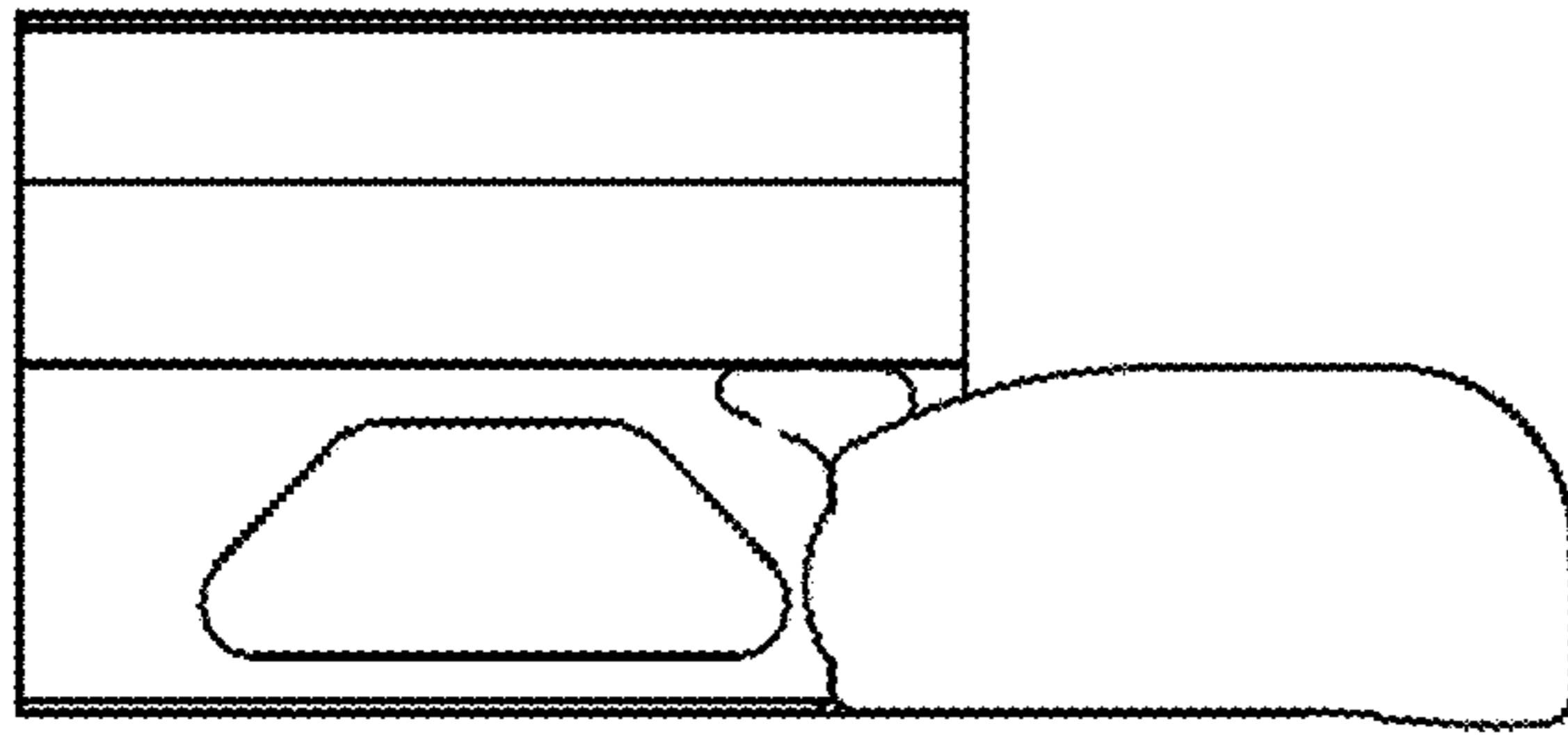


Fig. 12

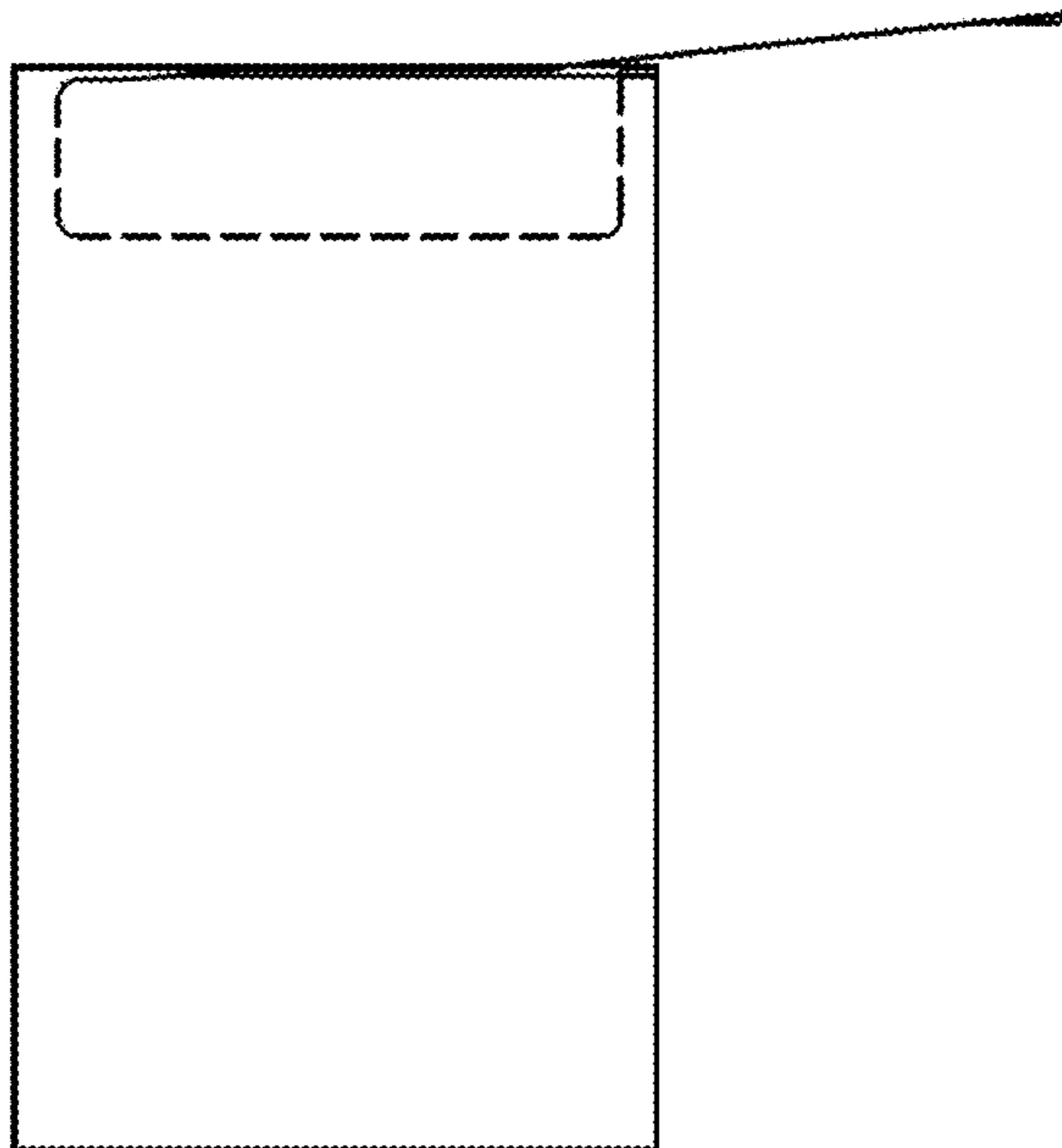


Fig. 13

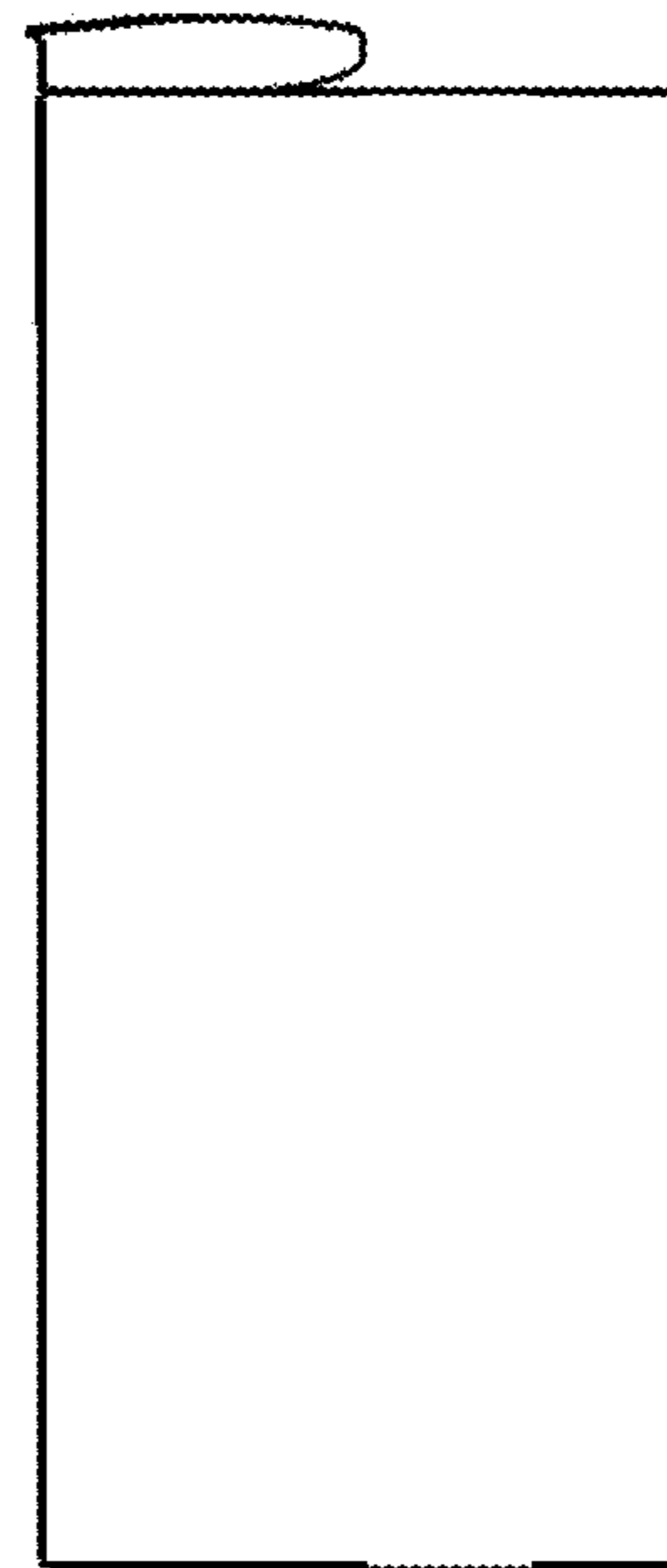


Fig. 14

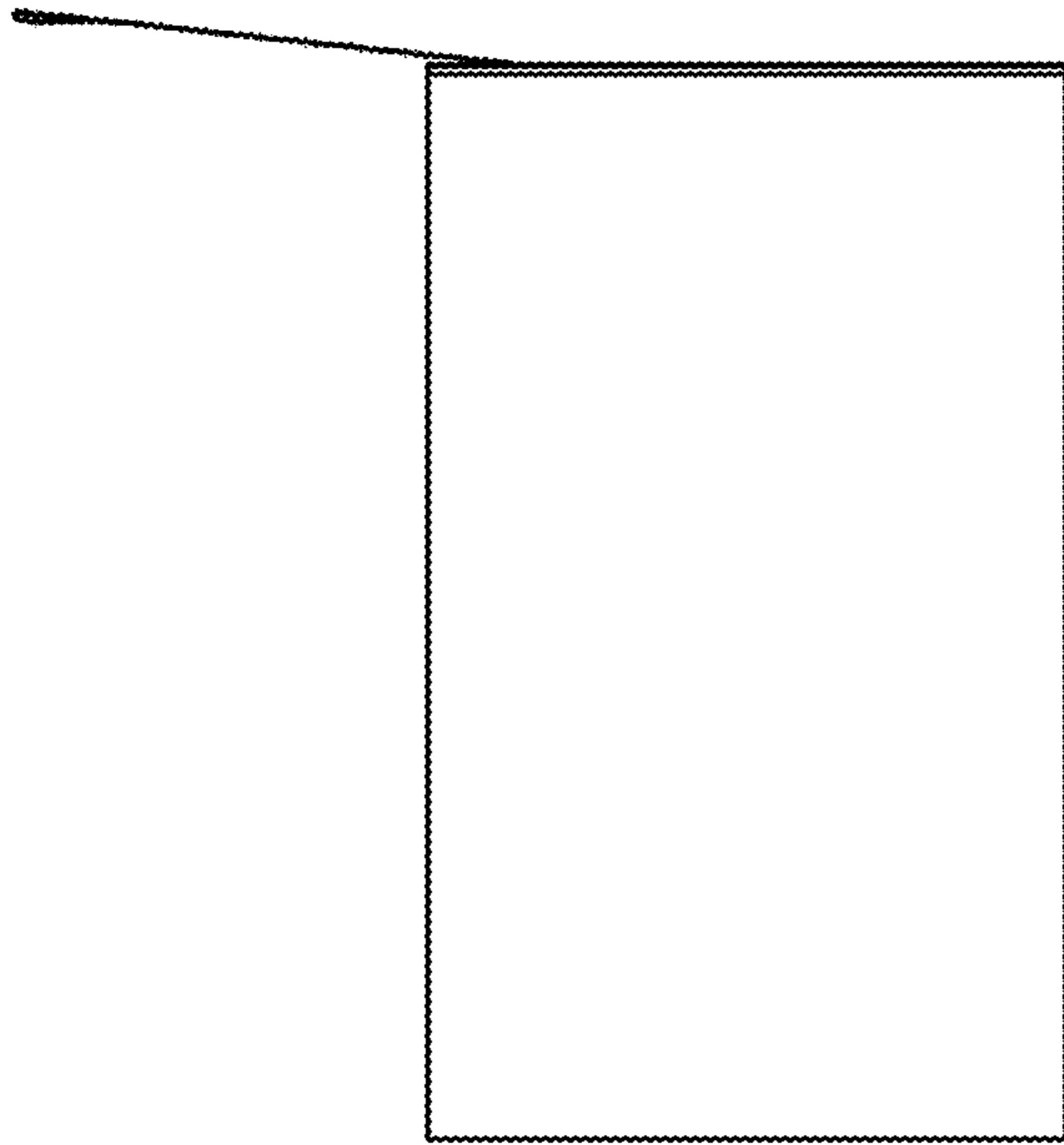


Fig. 15

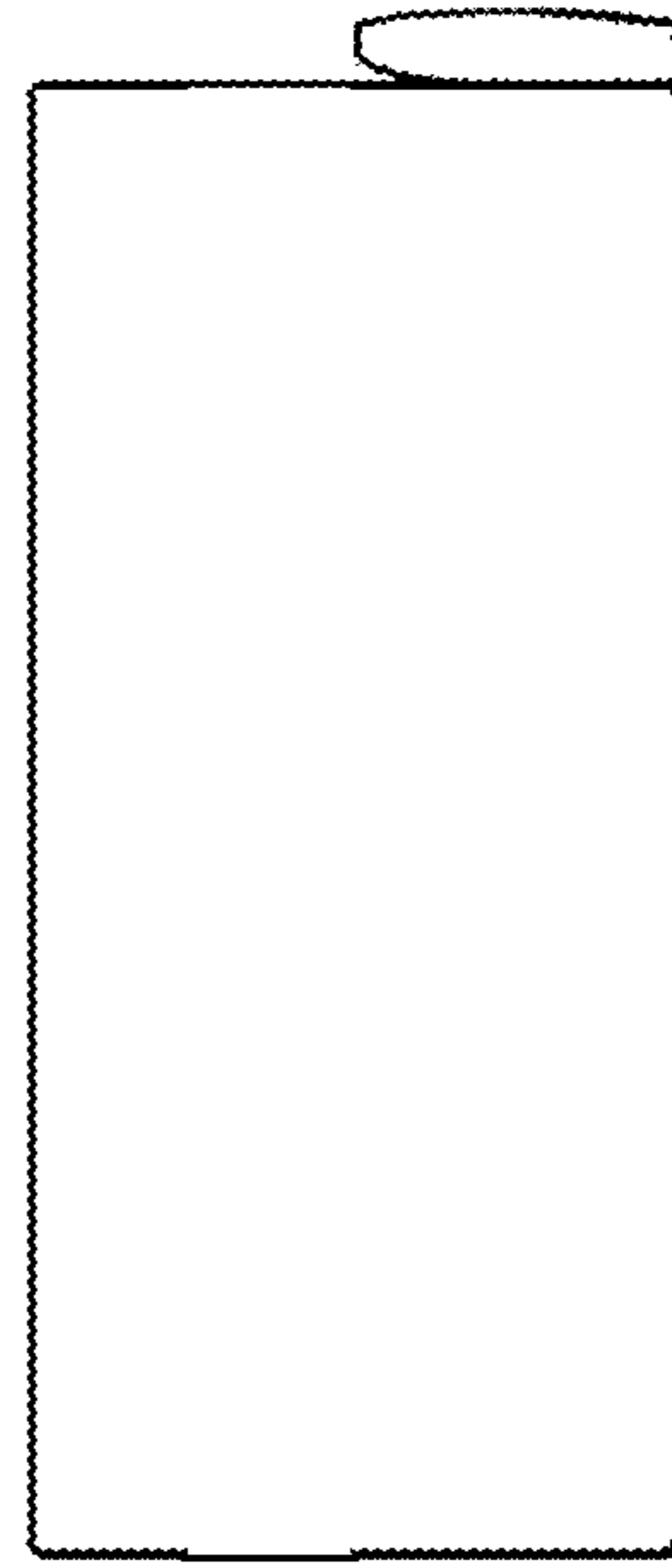


Fig. 16

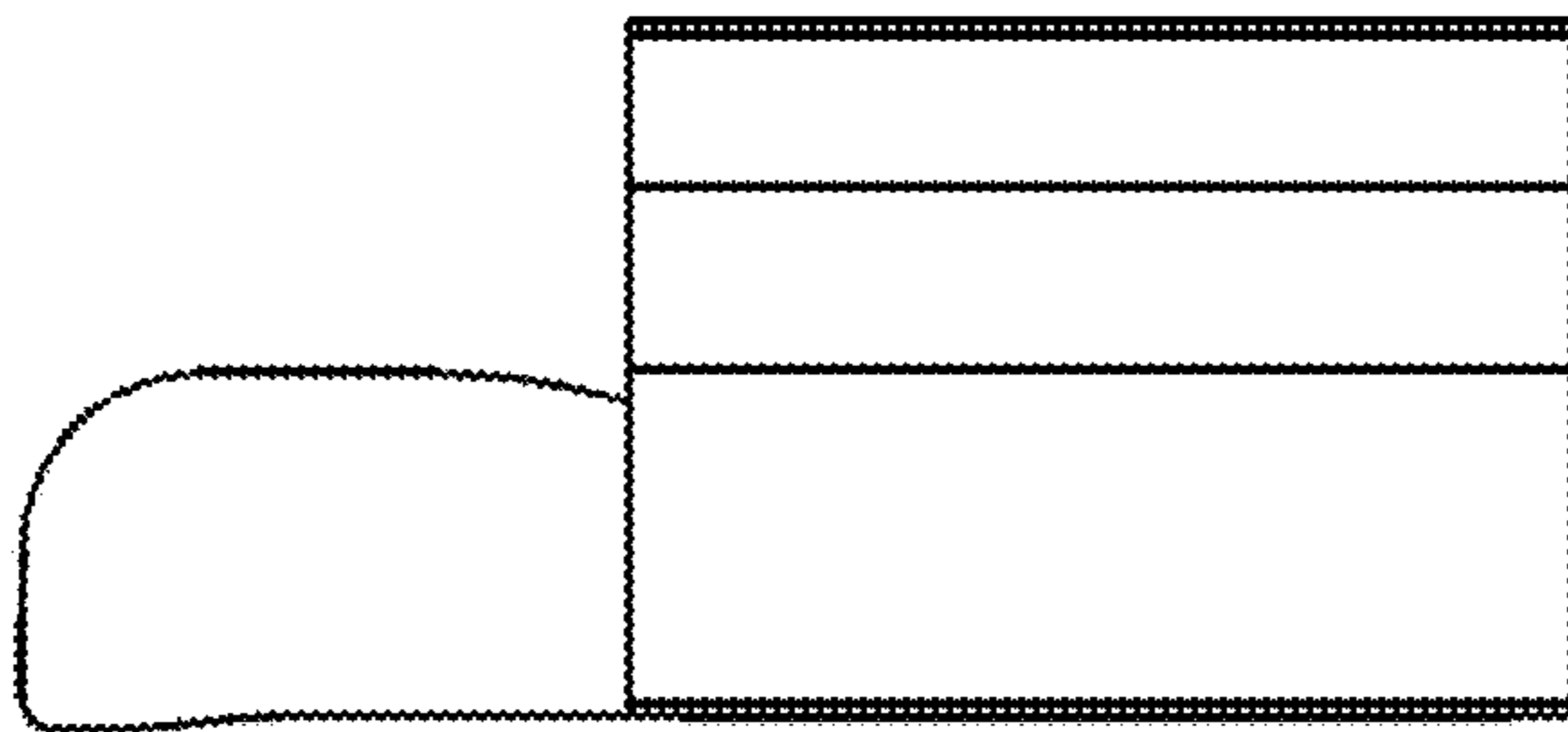


Fig. 17

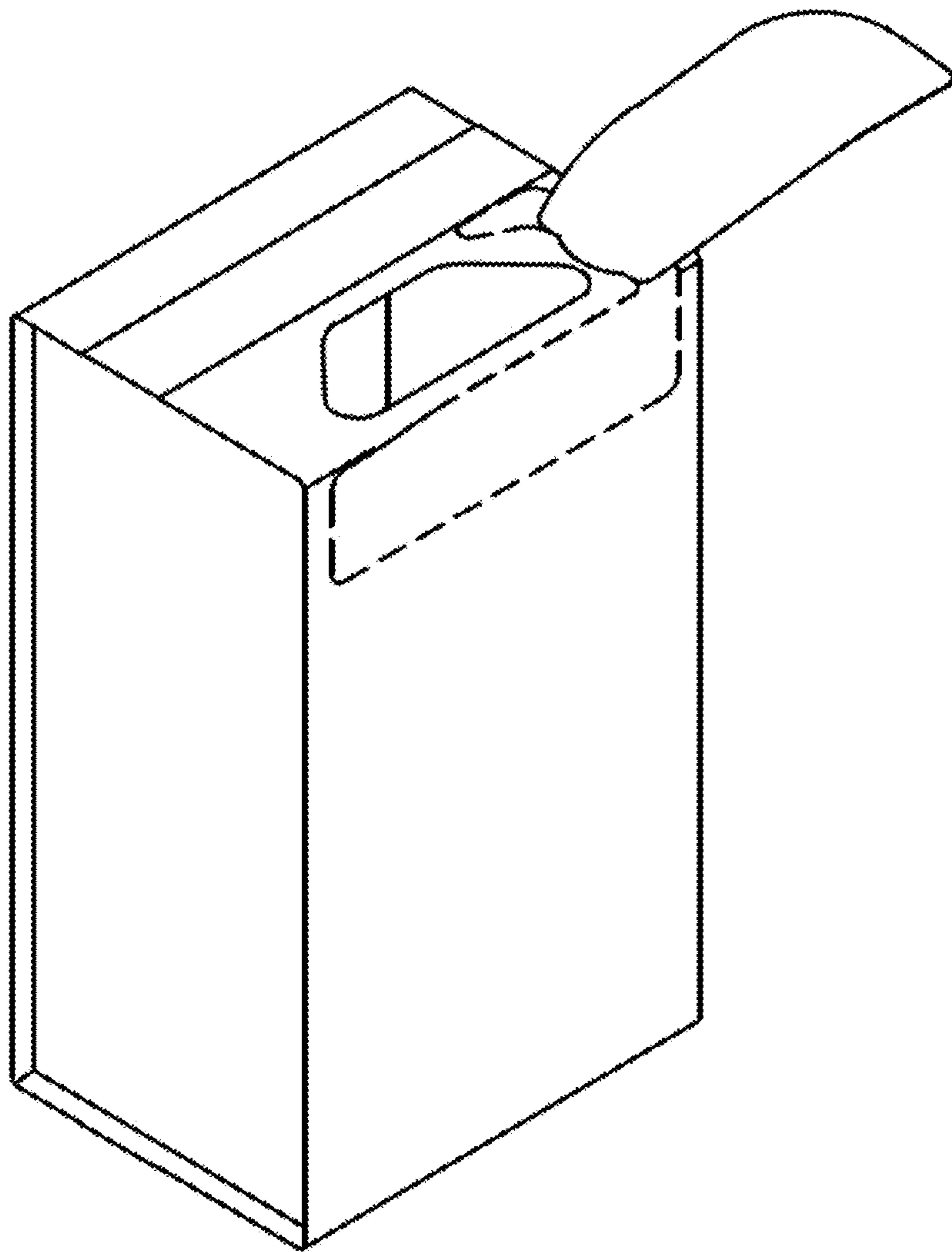


Fig. 18

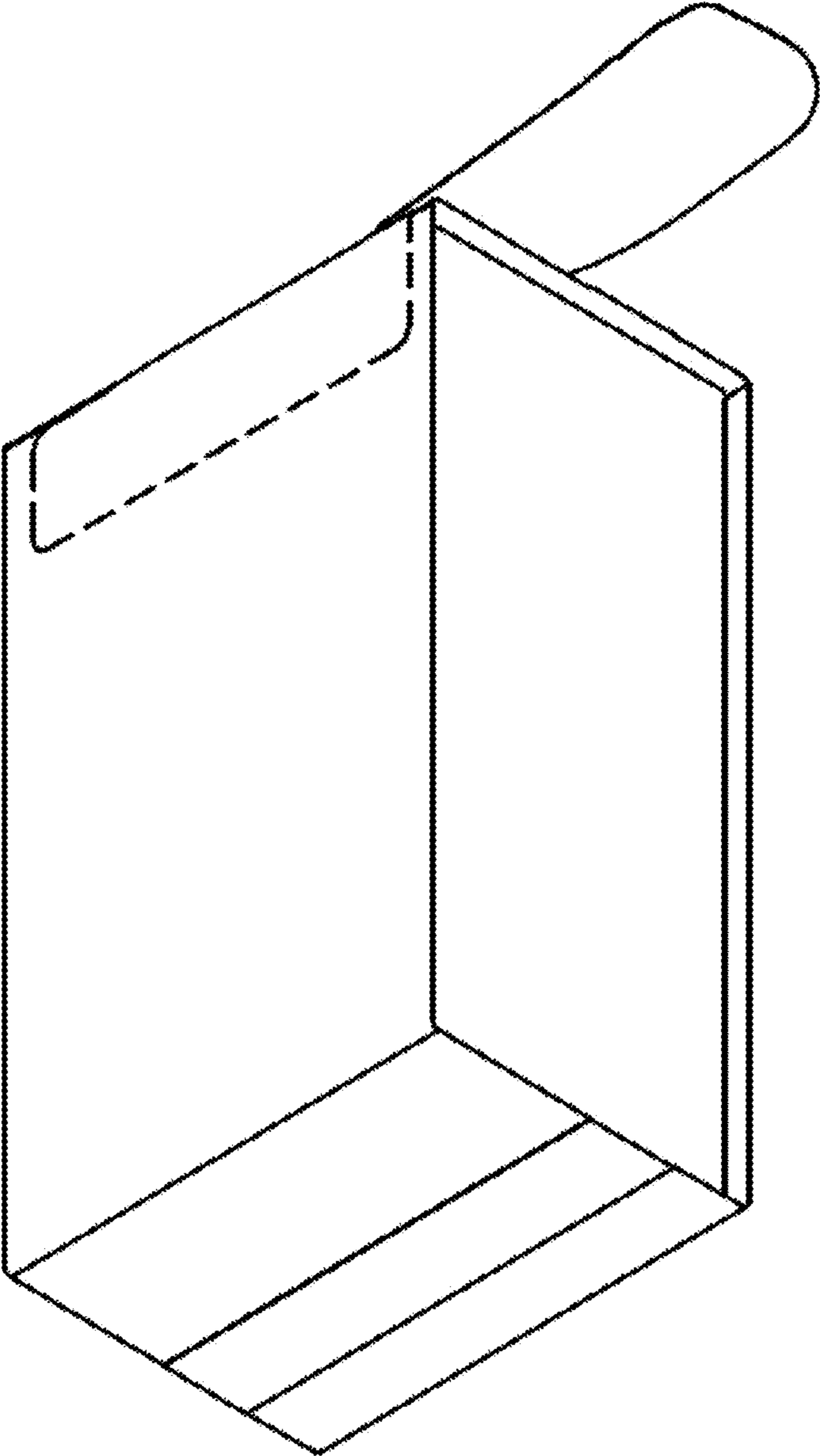


Fig. 19

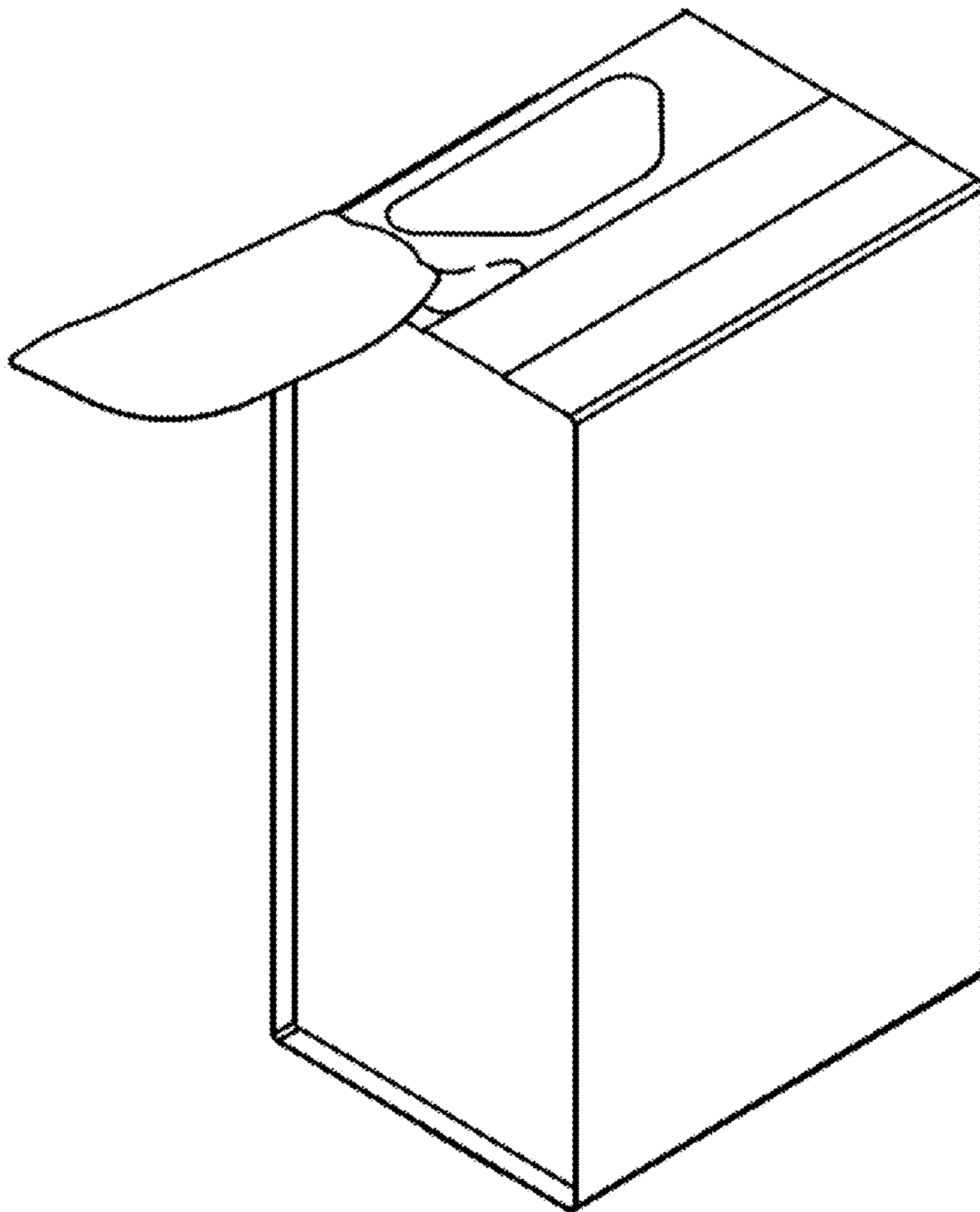


Fig. 20

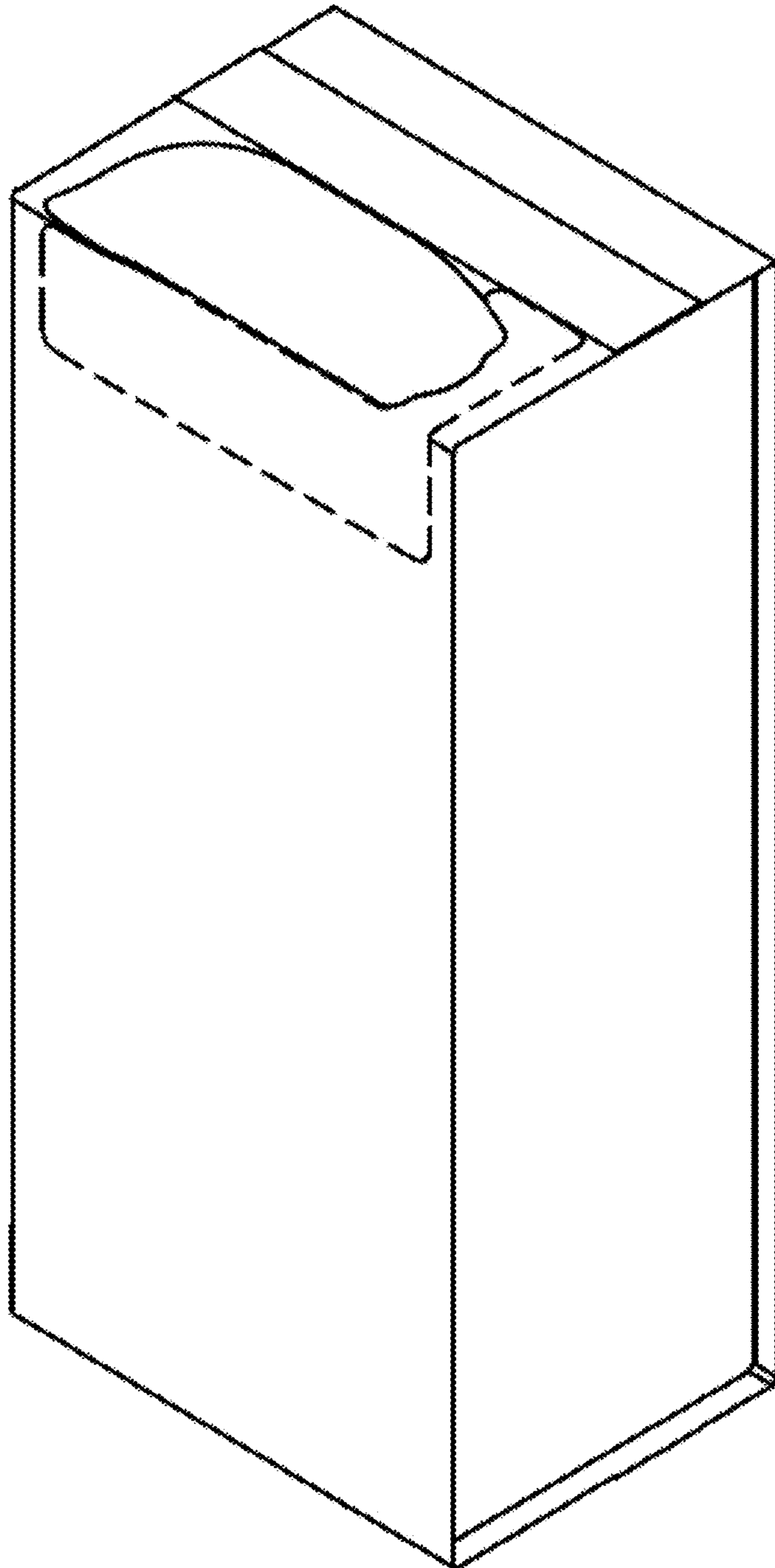


Fig. 21

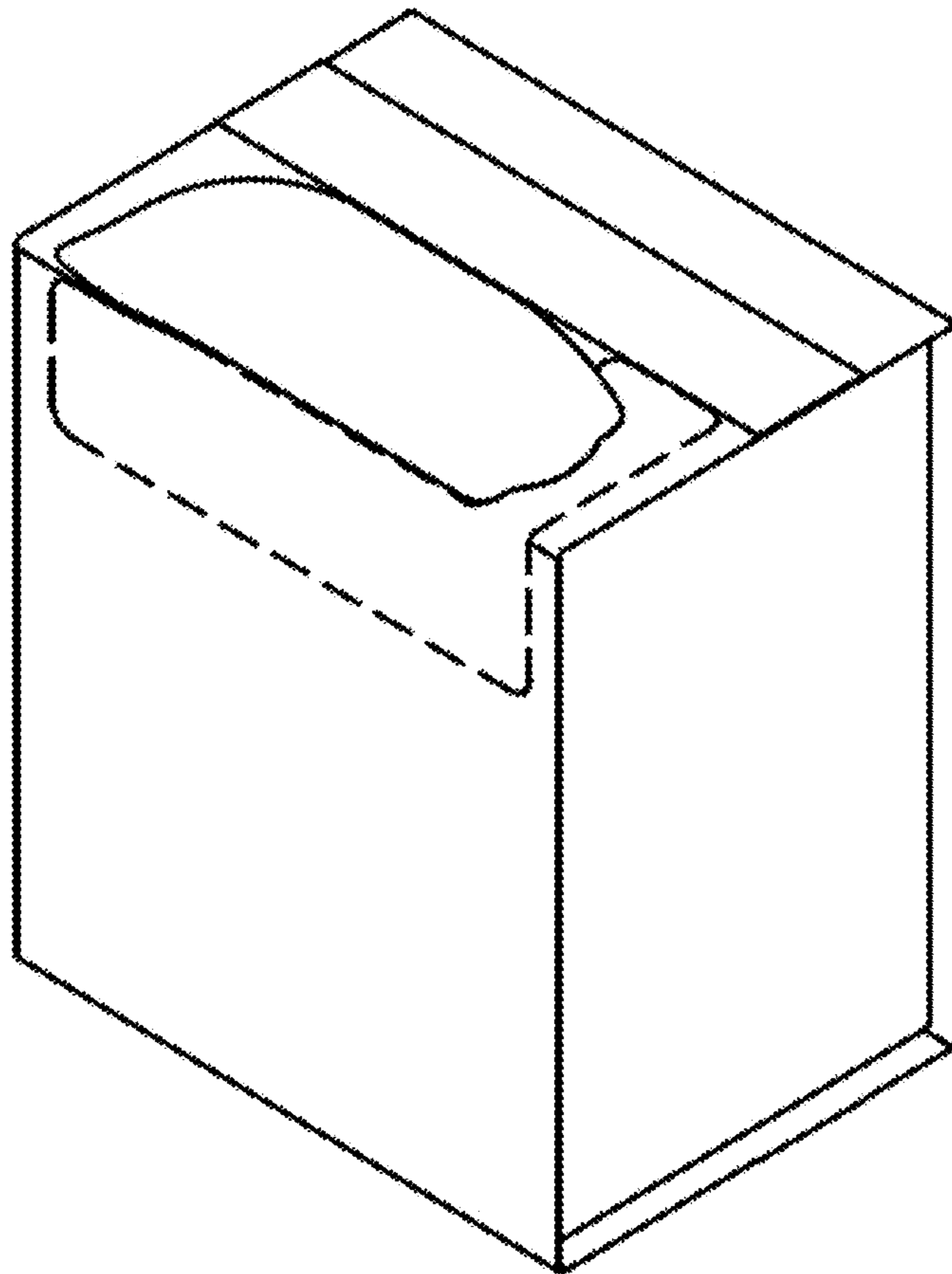


Fig. 22



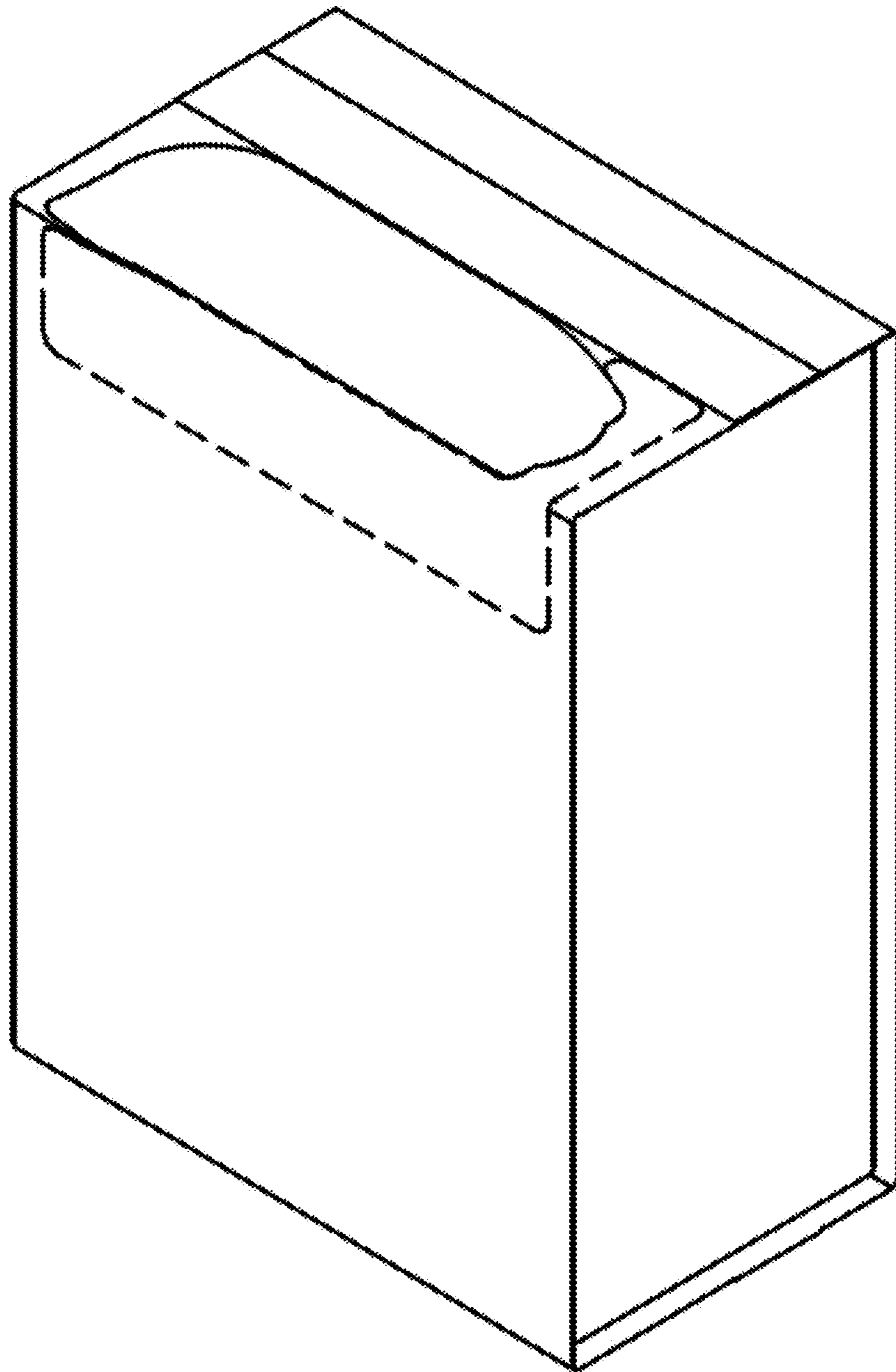


Fig. 23

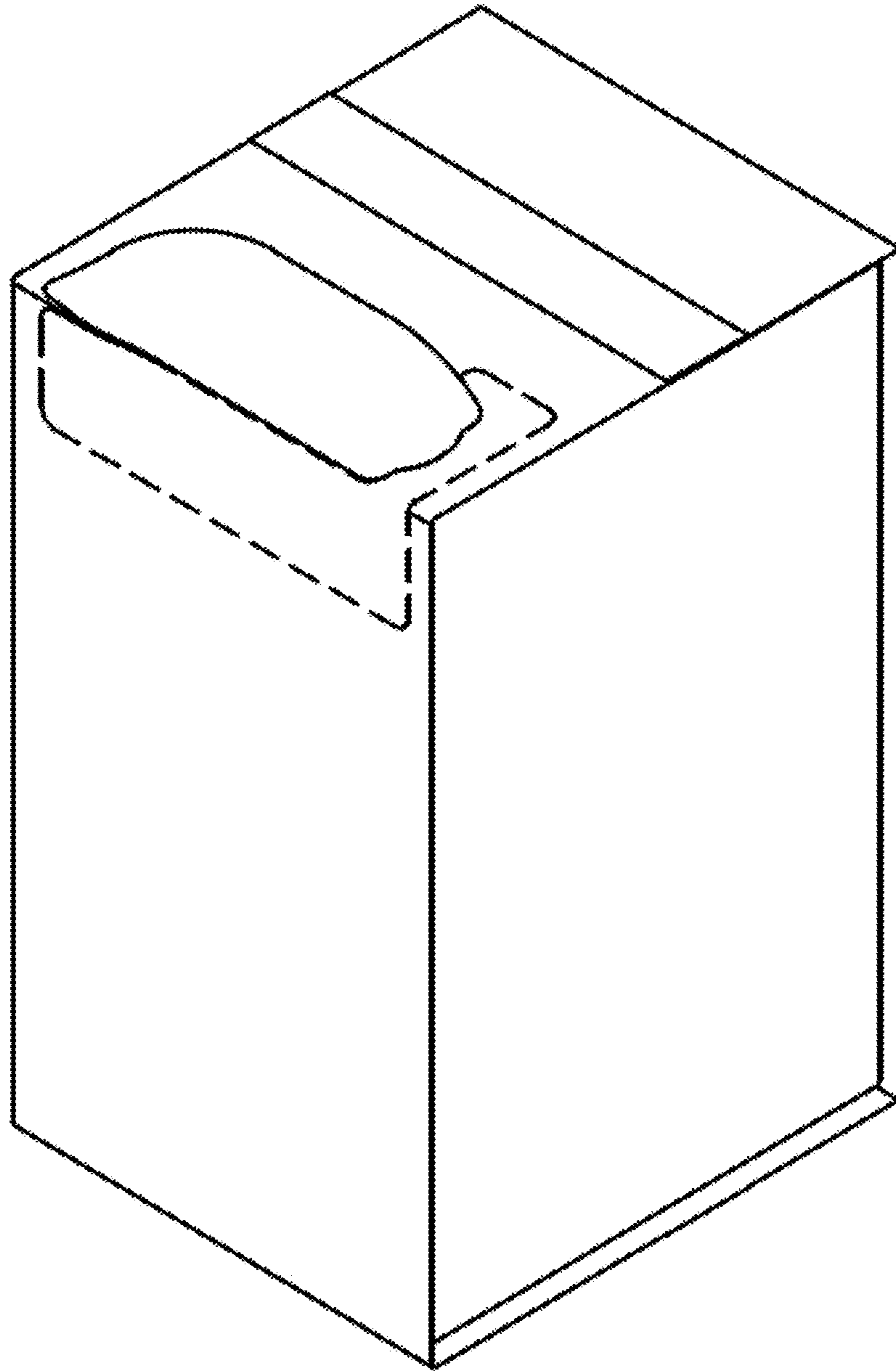


Fig. 24