



US00D764902S

(12) **United States Design Patent** (10) **Patent No.:** **US D764,902 S**
Clarke (45) **Date of Patent:** **** Aug. 30, 2016**

(54) **CONTAINER PAD**
(71) Applicant: **Jeffrey Clarke**, Rochester, NY (US)
(72) Inventor: **Jeffrey Clarke**, Rochester, NY (US)
(**) Term: **14 Years**
(21) Appl. No.: **29/510,941**
(22) Filed: **Dec. 4, 2014**
(51) **LOC (10) Cl.** **08-05**
(52) **U.S. Cl.**
USPC **D8/374**
(58) **Field of Classification Search**
USPC D8/383, 374, 300, 303, 313, 314, 394,
D8/395, 396
CPC ... A47C 21/00; A47C 19/045; E21B 17/015;
E21B 17/01; A47B 91/005
See application file for complete search history.

9,033,293 B1 * 5/2015 Glenn A47B 91/005
248/188.2
D731,292 S * 6/2015 Vrame D8/354
D736,607 S * 8/2015 Sheldon D8/374

* cited by examiner

Primary Examiner — Robert M Spear
Assistant Examiner — Eliza Bennett-Hattan
(74) *Attorney, Agent, or Firm* — Tracy Jong Law Firm;
Tracy P. Jong; Cheng Ning Jong

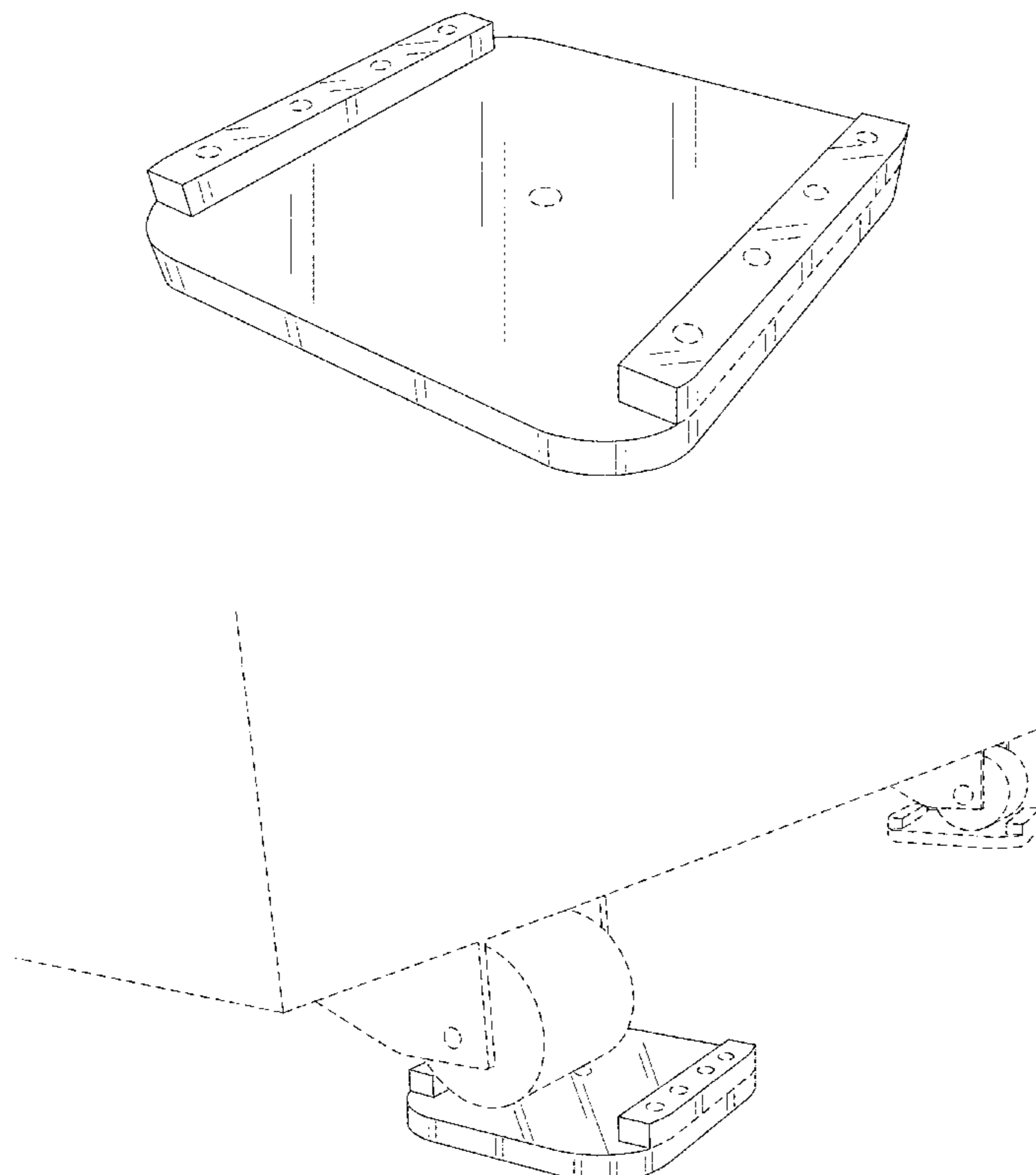
(57) **CLAIM**
The ornamental design for container pad, as shown and described.

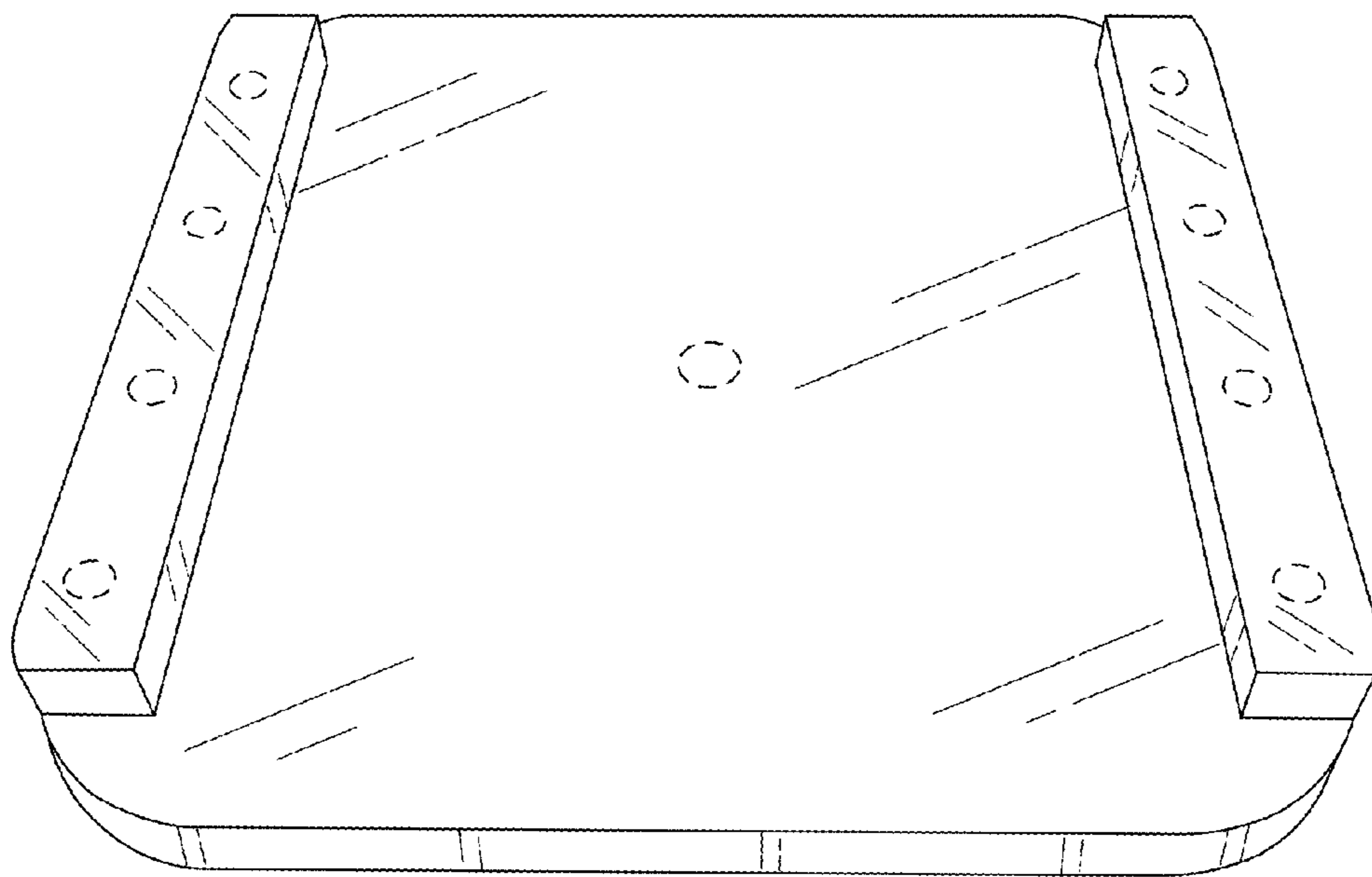
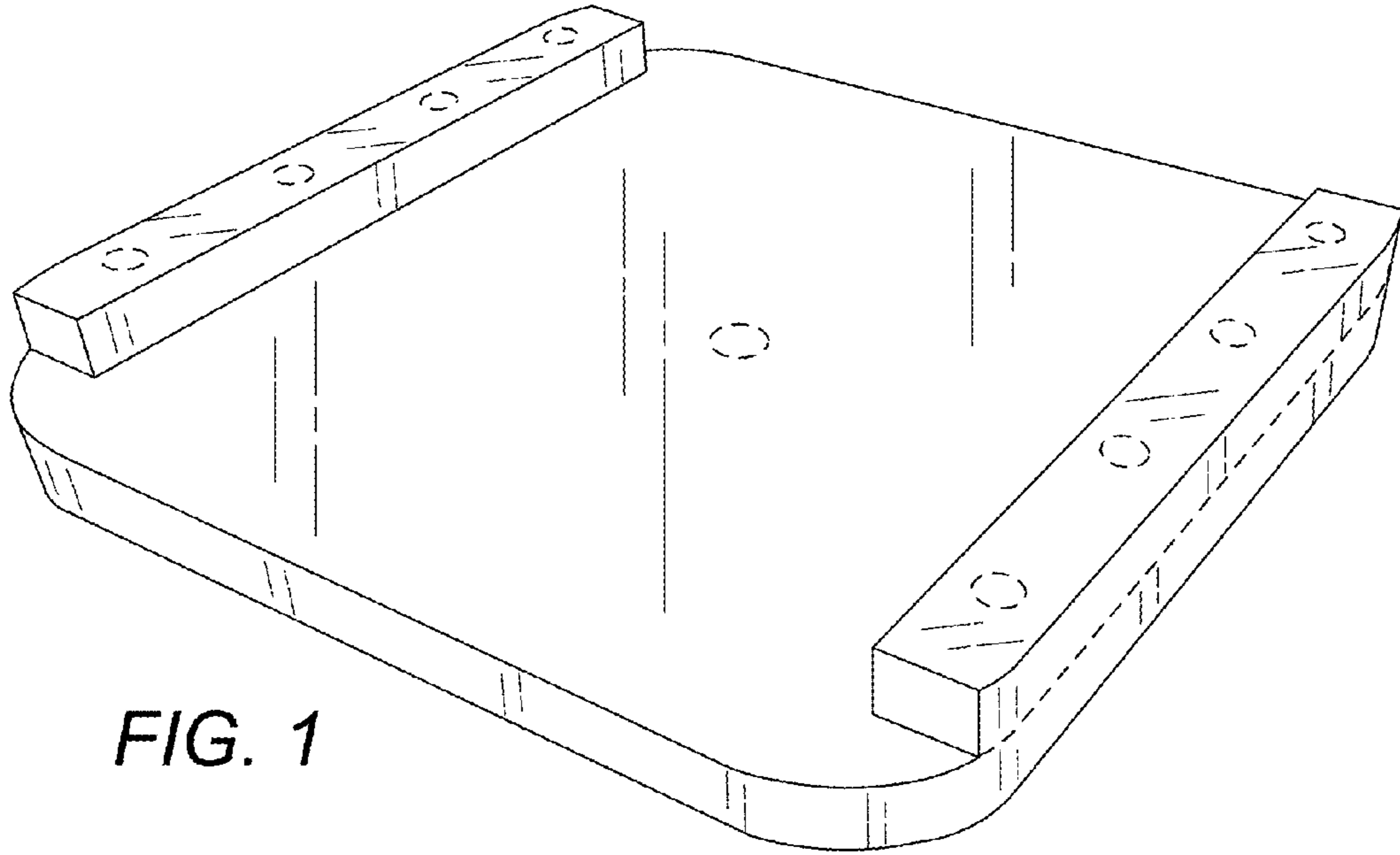
DESCRIPTION

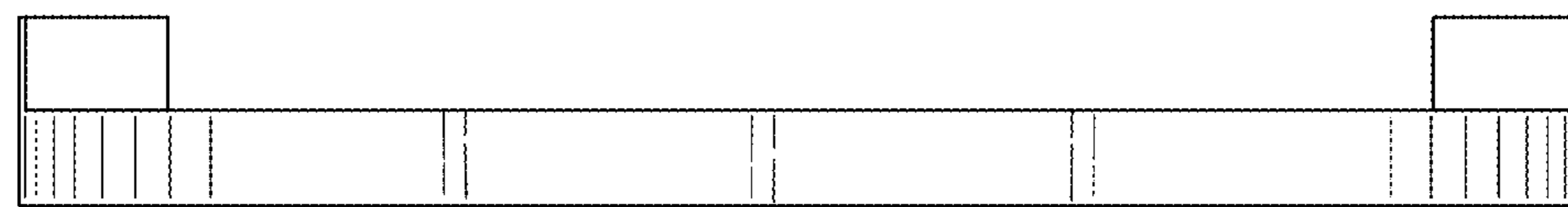
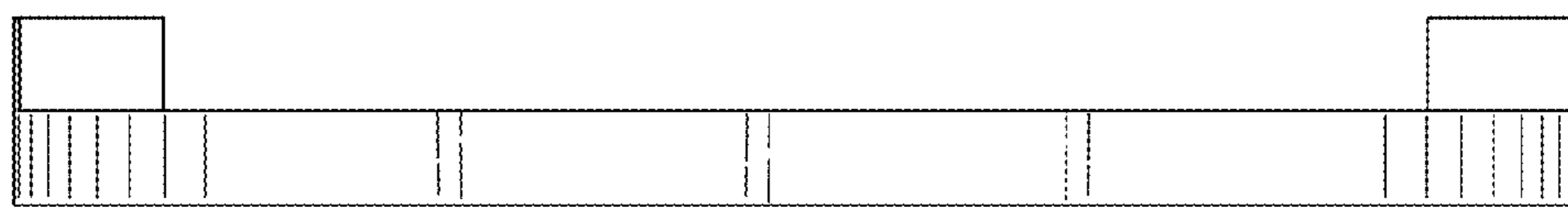
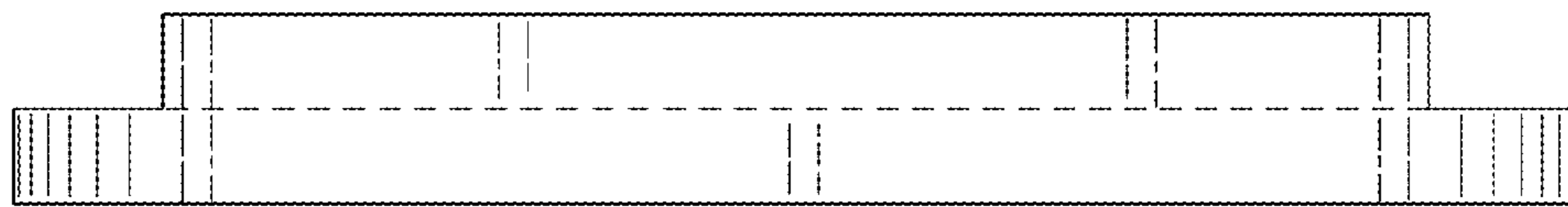
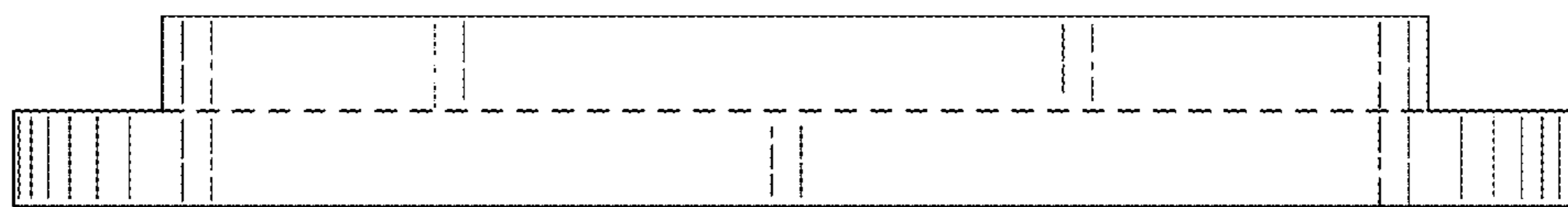
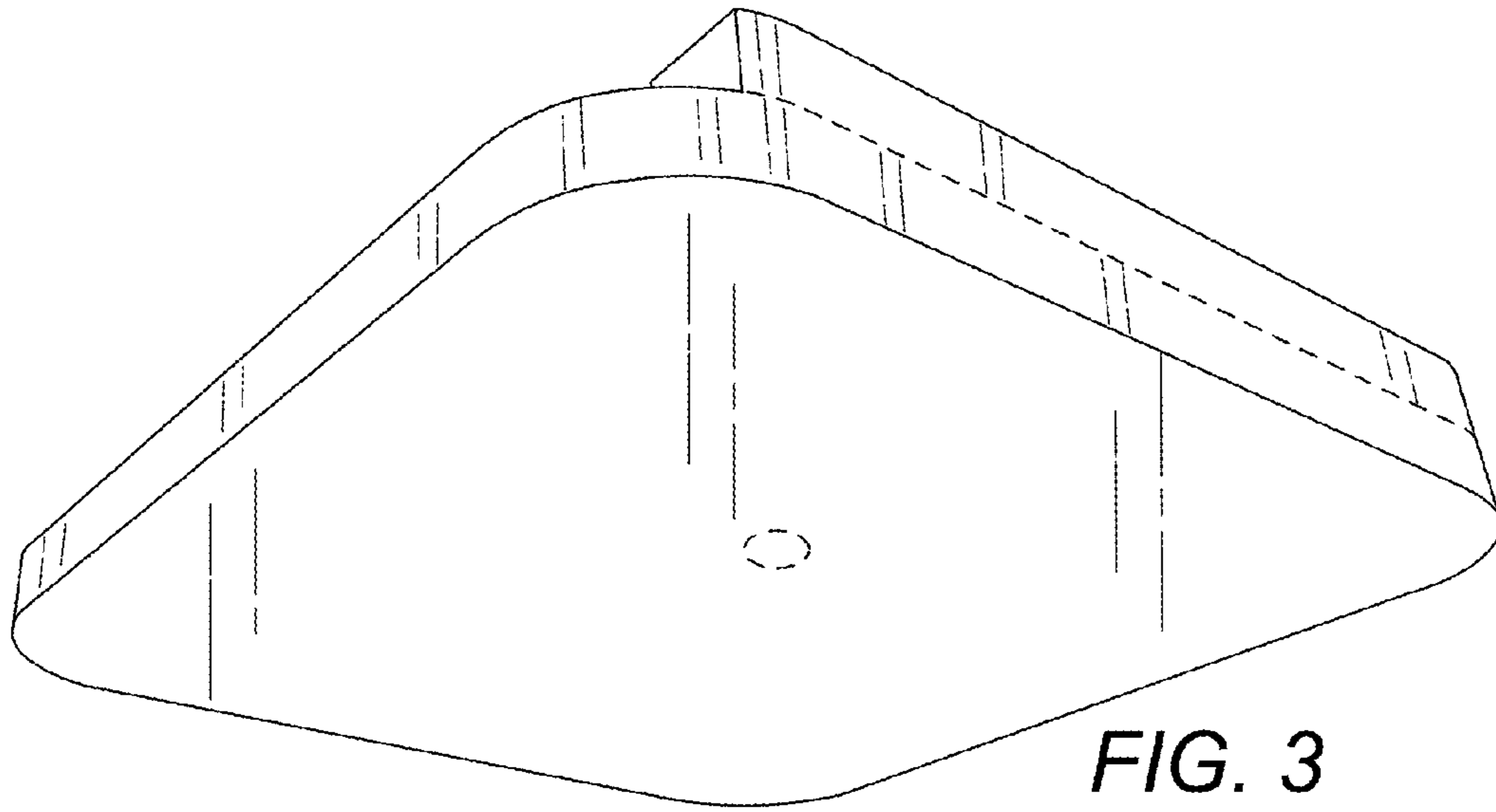
FIG. 1 is a top front perspective view of a container pad.
FIG. 2 is another front perspective view thereof.
FIG. 3 is a bottom perspective view thereof.
FIG. 4 is a front elevation view thereof.
FIG. 5 is a rear elevation view thereof.
FIG. 6 is a right side elevation view thereof.
FIG. 7 is a left side elevation view thereof.
FIG. 8 is a plan view thereof.
FIG. 9 is a bottom view thereof; and,
FIG. 10 is a top perspective view of a container pad in use to support one corner of a container.
The partial container shown in broken lines are environmental subject matter included to depict how the claimed design may appear when used to support one corner of a container and form no part of the claimed design. The remaining broken line subject matter is unclaimed features.

(56) **References Cited**
U.S. PATENT DOCUMENTS
D363,657 S * 10/1995 Kassardjian D8/354
D371,958 S * 7/1996 Keaton D7/388
D435,430 S * 12/2000 Valentz D8/349
D463,250 S * 9/2002 Valentz D8/349
D466,393 S * 12/2002 Neider D8/354
D466,394 S * 12/2002 Neider D8/354
D470,038 S * 2/2003 Lapp, Jr. D8/363
D494,842 S * 8/2004 Perkins D8/354
D596,481 S * 7/2009 Yamamoto D8/374

1 Claim, 4 Drawing Sheets







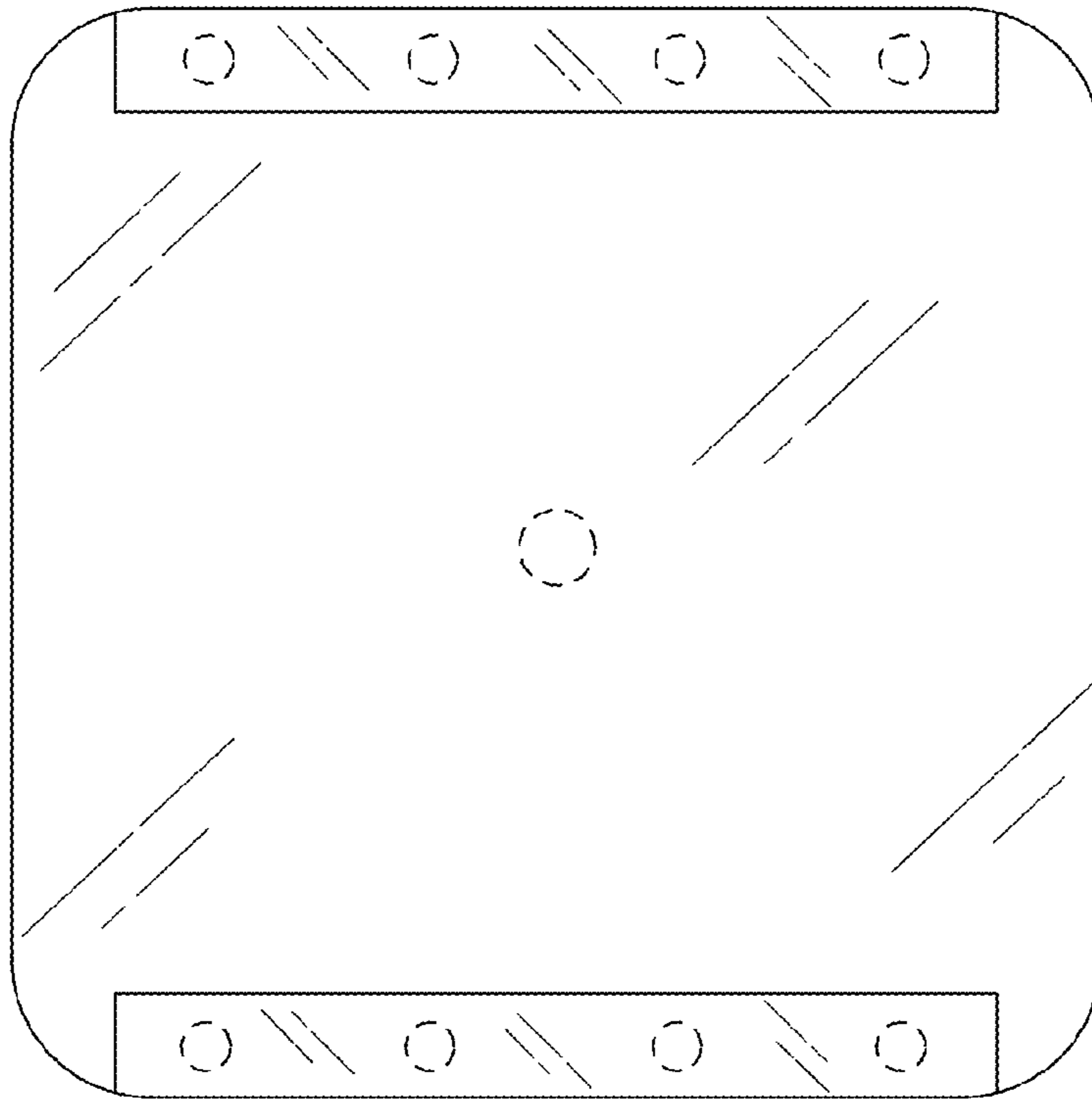


FIG. 8

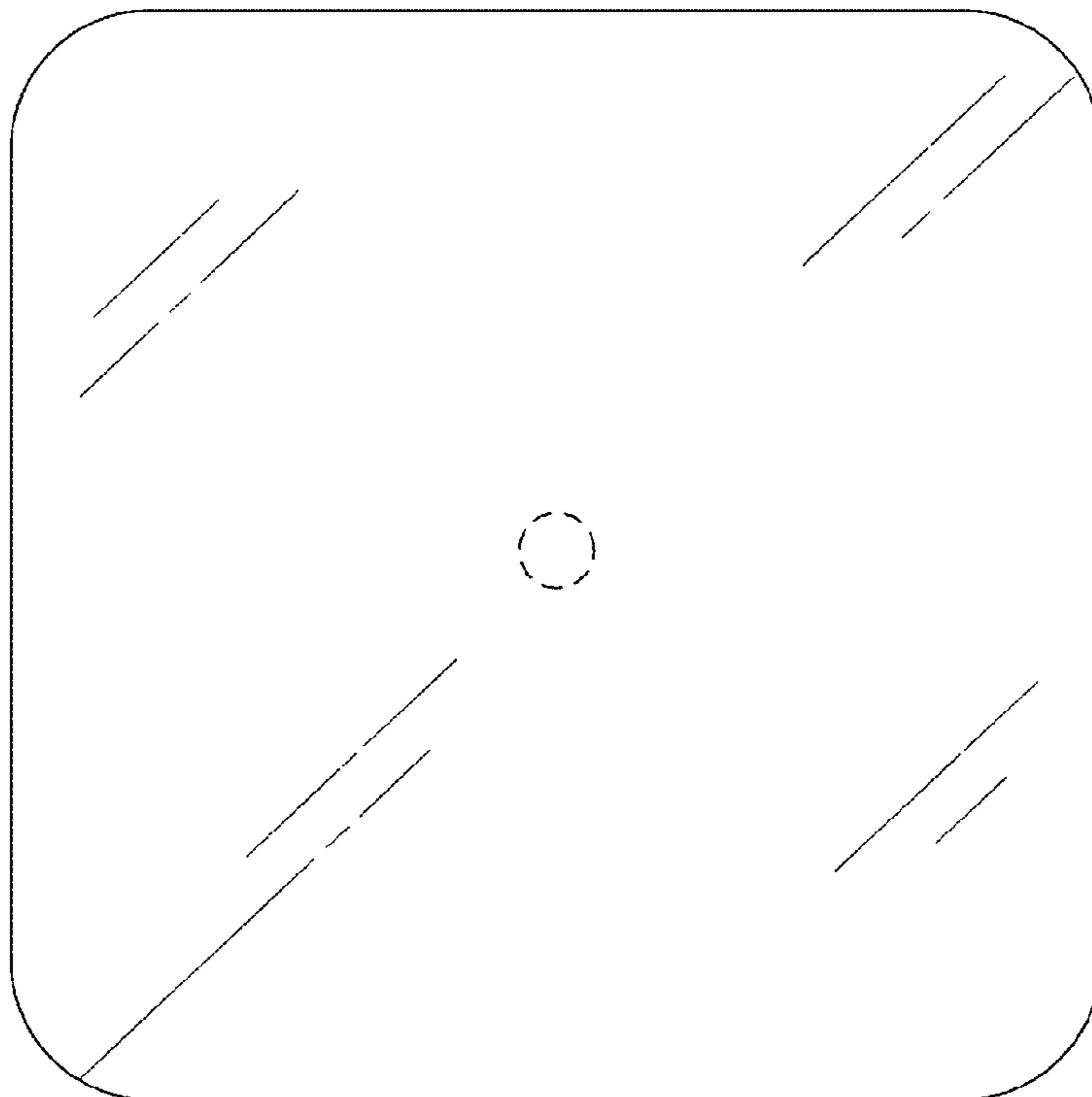


FIG. 9

