



US00D764900S

(12) **United States Design Patent** (10) **Patent No.:** **US D764,900 S**
Fisher et al. (45) **Date of Patent:** **** Aug. 30, 2016**

(54) **ANCHOR**

(71) Applicant: **Pumpjack Australasia Limited,**
Nelson (NZ)

(72) Inventors: **Peter Borris Fisher,** Nelson (NZ);
Mason James Fisher, Nelson (NZ)

(73) Assignee: **Pumpjack Australasia Limited,**
Nelson (NZ)

(**) Term: **14 Years**

(21) Appl. No.: **29/520,417**

(22) Filed: **Mar. 13, 2015**

(51) **LOC (10) Cl.** **08-05**

(52) **U.S. Cl.**
USPC **D8/367**

(58) **Field of Classification Search**
USPC D8/16, 19, 349, 354, 355, 363, 364,
D8/367, 370-373, 376, 382, 384-386, 389
CPC F16B 21/09; F16B 23/0084; F16B 45/00;
A62B 35/0068; E01D 19/14; E01D 21/00;
E04B 1/41; E04B 1/4114; E04F 15/04;
E04F 2015/02094; E04F 2201/05; E04G
15/068; E04G 21/3261

See application file for complete search history.

(56) **References Cited**

U.S. PATENT DOCUMENTS

D368,649 S *	4/1996	Smartnick	D13/154
D714,631 S *	10/2014	Frydlewski	D8/394
D718,611 S *	12/2014	Kung	D8/356
D719,822 S *	12/2014	Van Es	D8/366
D742,733 S *	11/2015	Galindo Gonzalez	D8/396

* cited by examiner

Primary Examiner — Robert M Spear

Assistant Examiner — Eliza Bennett-Hattan

(74) *Attorney, Agent, or Firm* — Kilpatrick Townsend & Stockton LLP

(57) **CLAIM**

The ornamental design for anchor, as shown and described.

DESCRIPTION

FIG. 1 is a front perspective view of a first embodiment of the anchor.

FIG. 2 is a front view of the first embodiment of the anchor.

FIG. 3 is a back view of the first embodiment of the anchor.

FIG. 4 is a right side view of the first embodiment of the anchor.

FIG. 5 is a left side view of the first embodiment of the anchor.

FIG. 6 is a top view of the first embodiment of the anchor.

FIG. 7 is a bottom view of the first embodiment of the anchor.

FIG. 8 is a front perspective view of a second embodiment of the anchor.

FIG. 9 is a front view of the second embodiment of the anchor.

FIG. 10 is a back view of the second embodiment of the anchor.

FIG. 11 is a right side view of the second embodiment of the anchor.

FIG. 12 is a left side view of the second embodiment of the anchor.

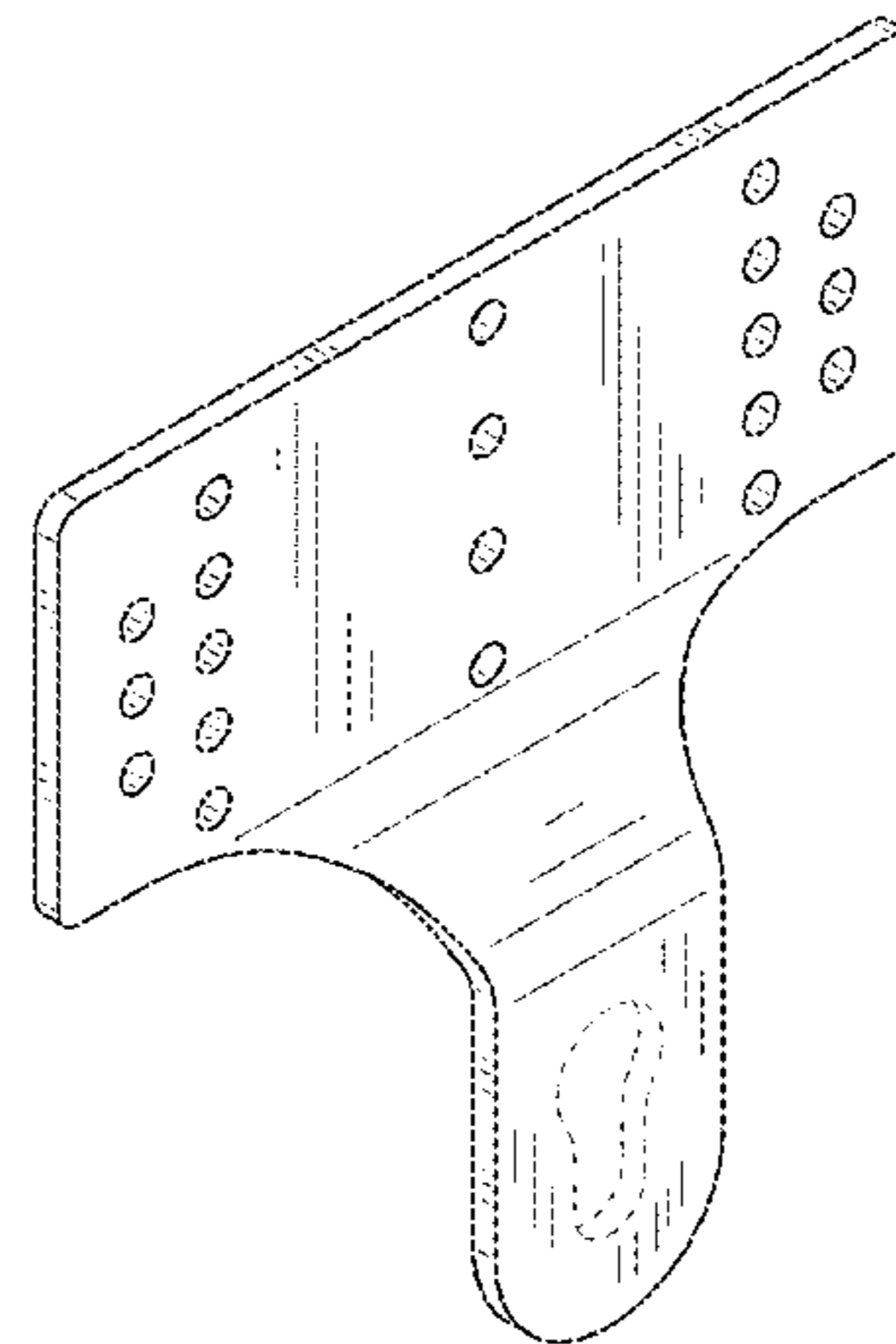
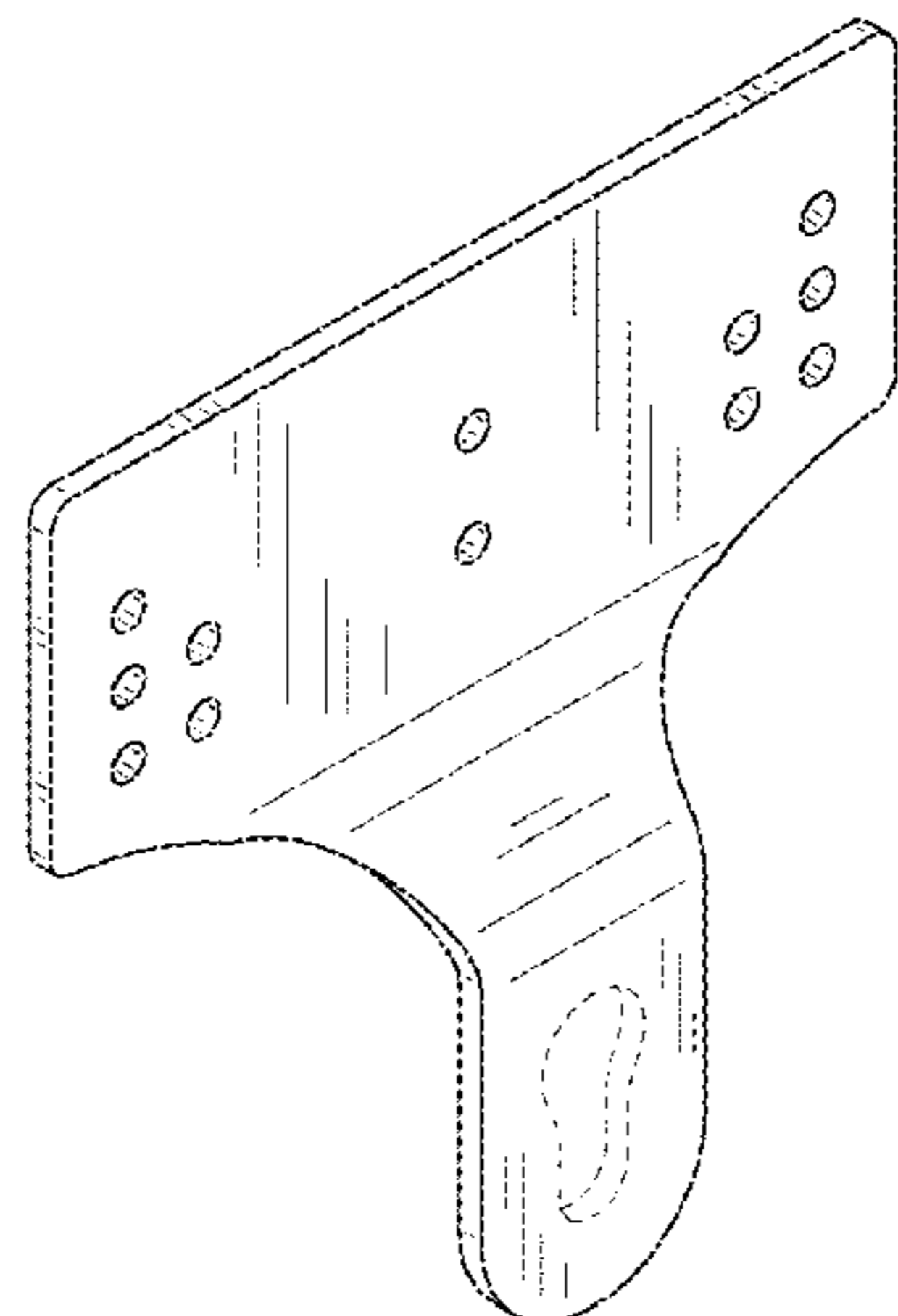
FIG. 13 is a top view of the second embodiment of the anchor; and,

FIG. 14 is a bottom view of the second embodiment of the anchor.

Portions of the drawings shown in dashed line form no part of the claimed design.

The anchor is used to anchor workers' harness equipment to building structures to prevent falling.

1 Claim, 8 Drawing Sheets



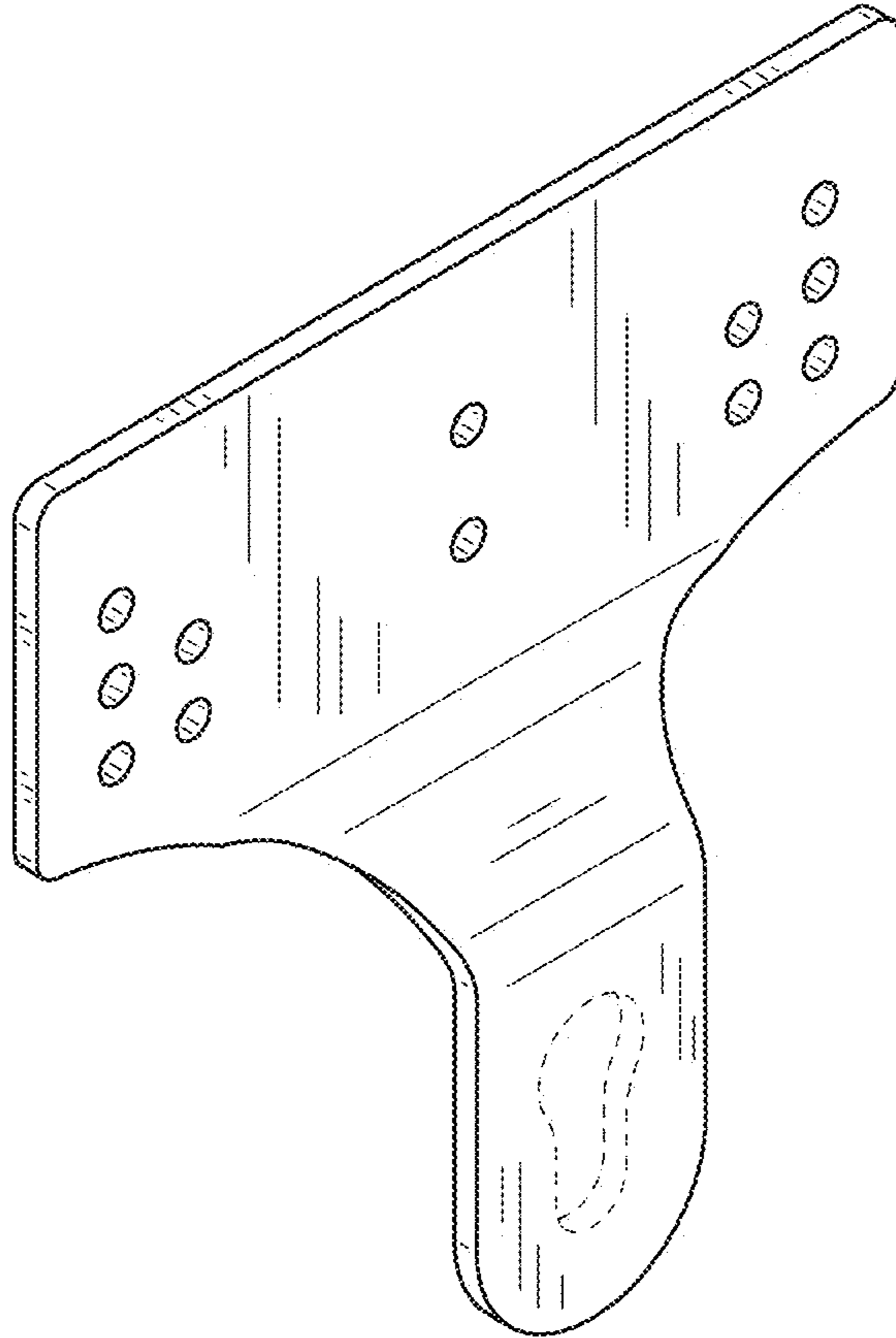
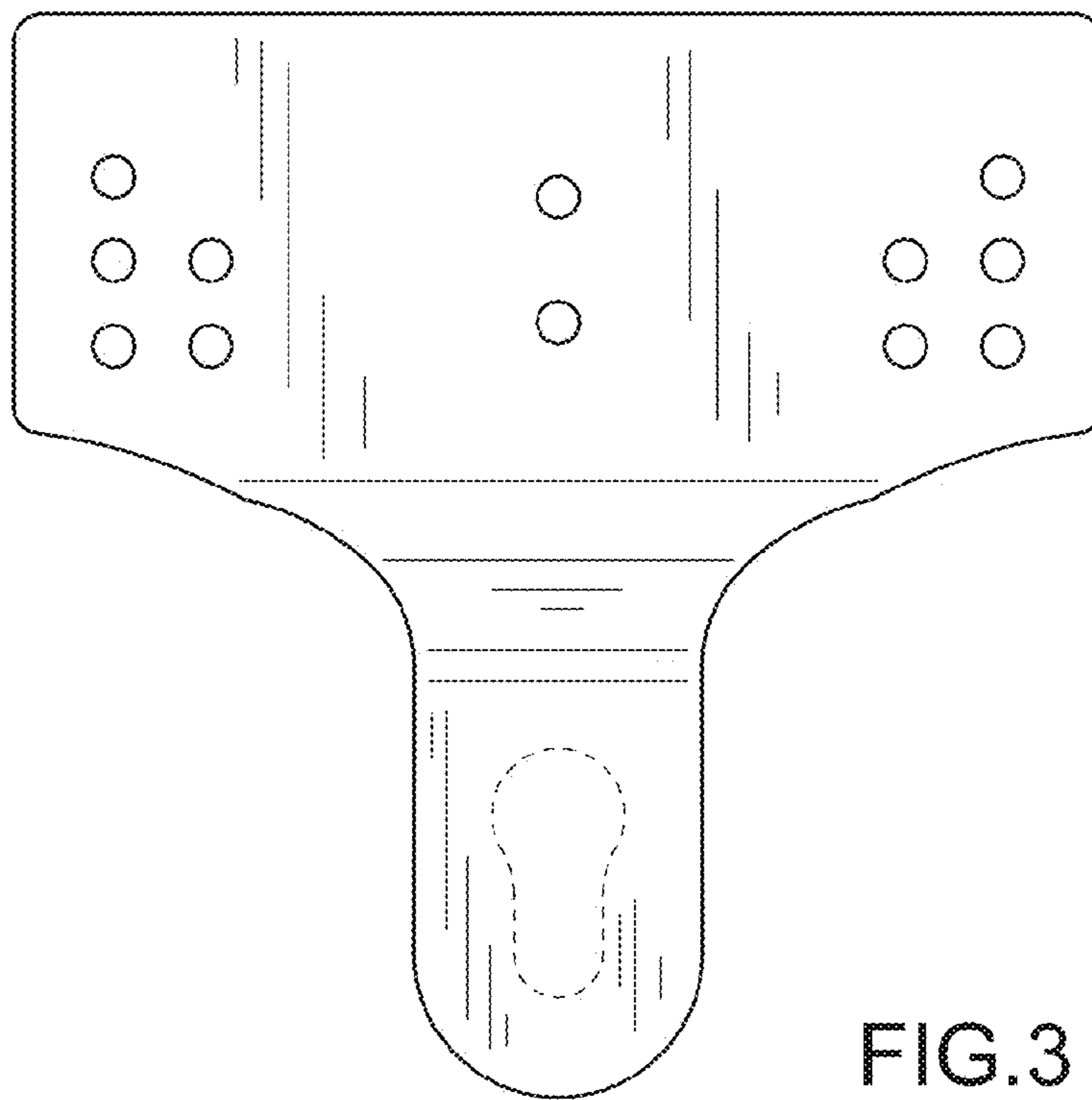
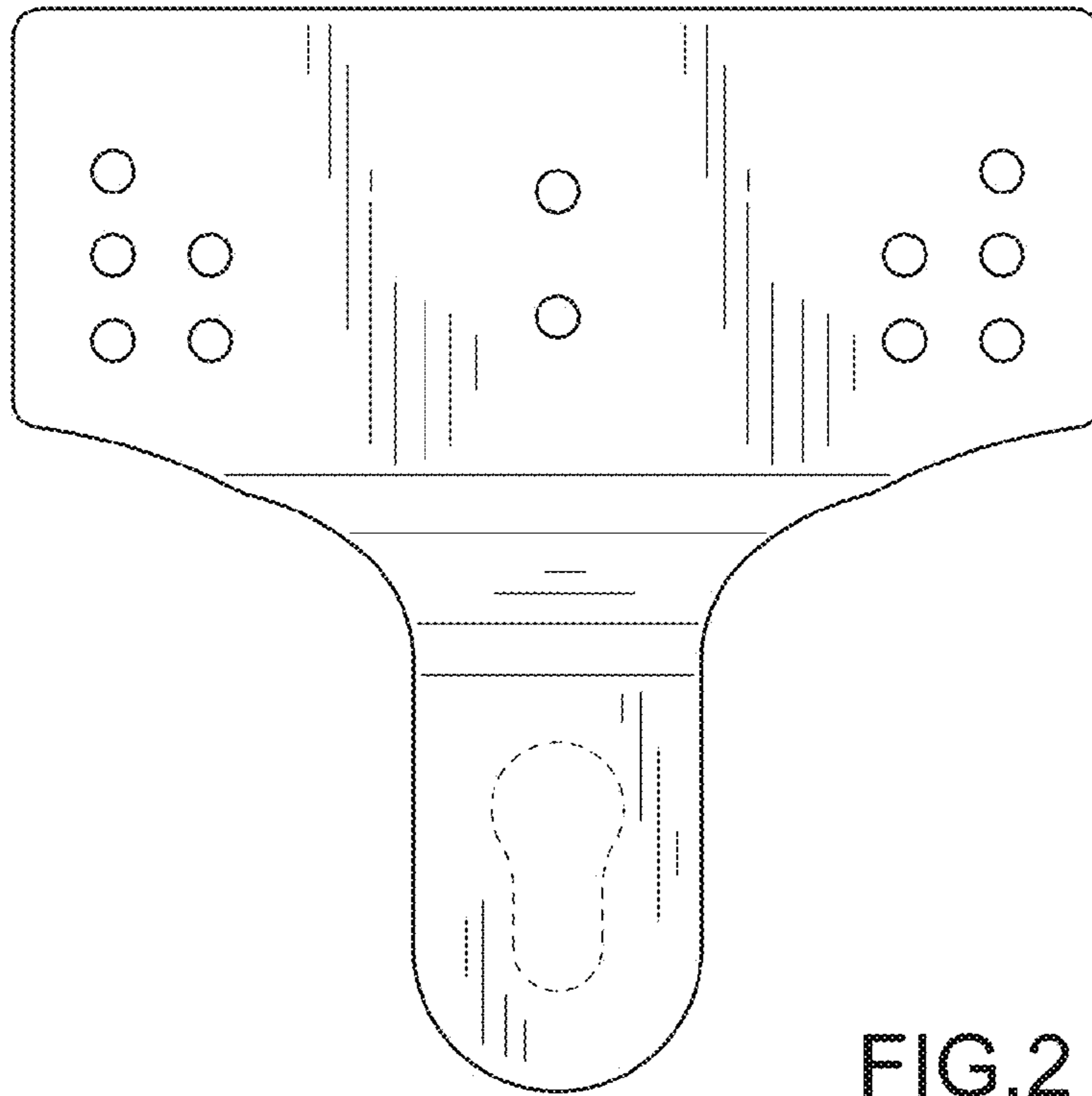


FIG.1



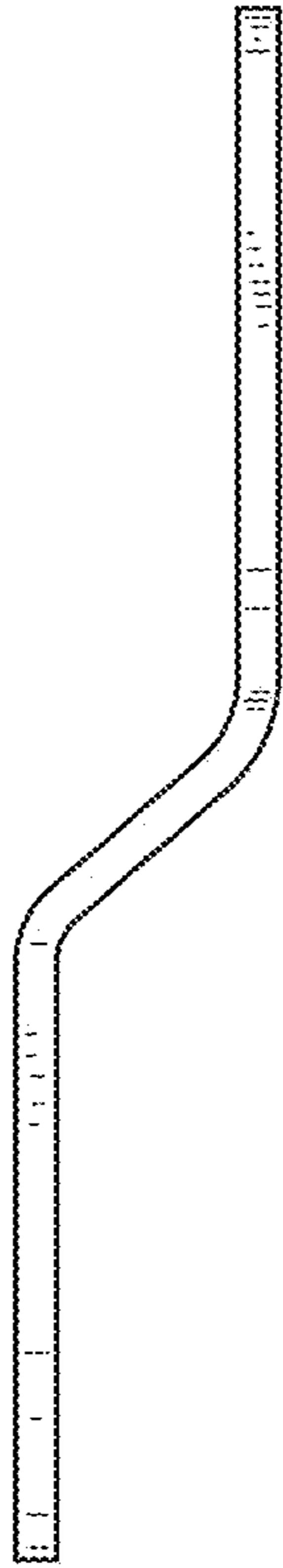


FIG. 4

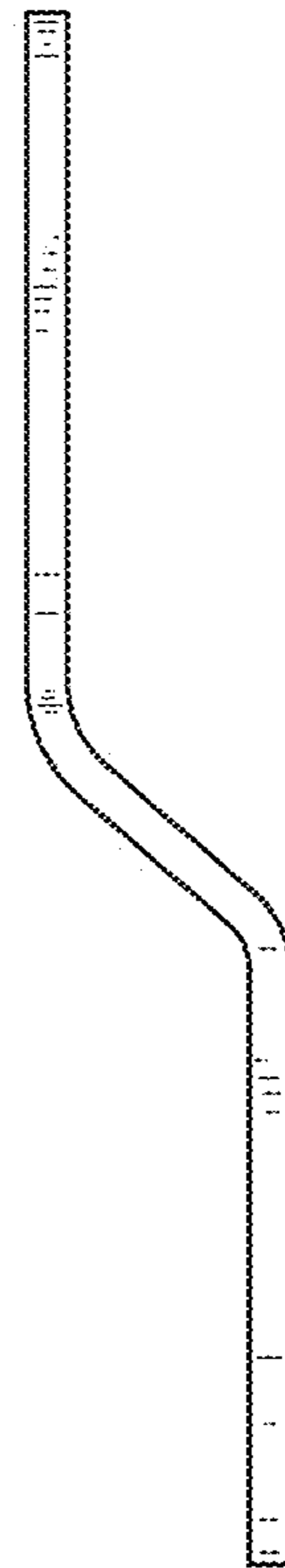


FIG. 5

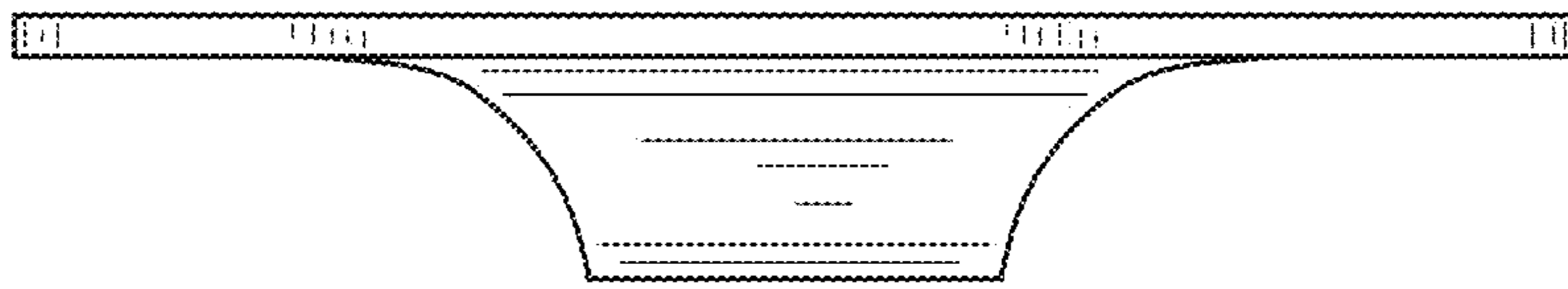


FIG. 6

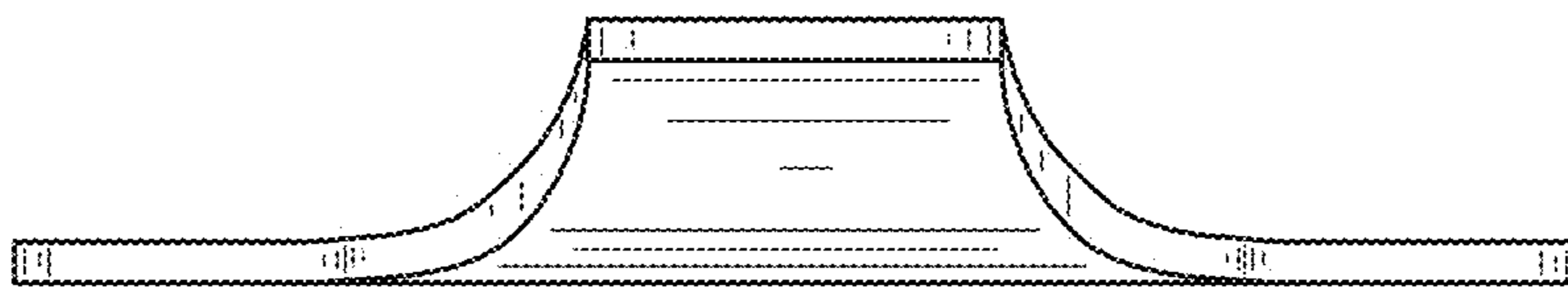


FIG. 7

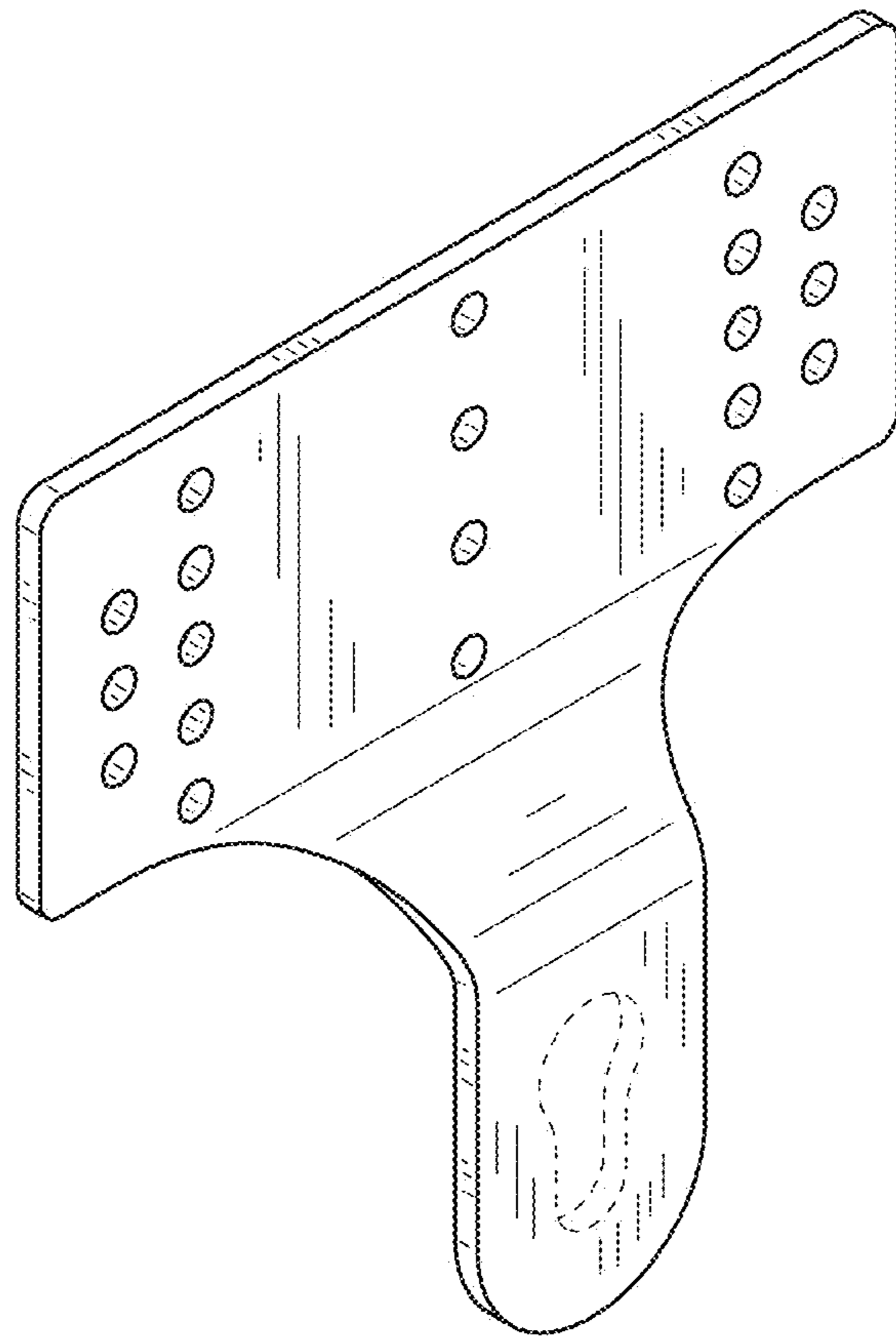


FIG.8

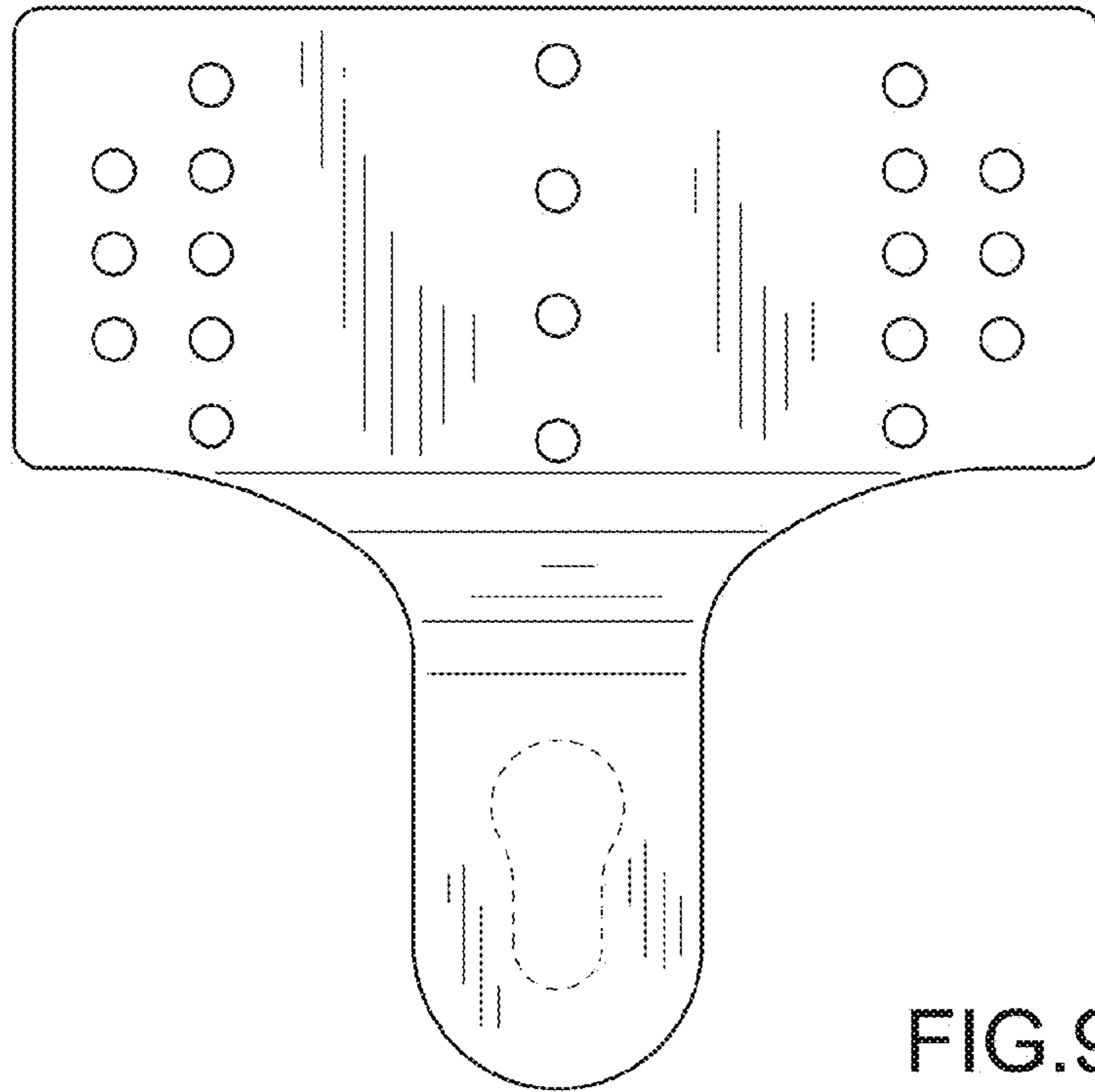


FIG. 9

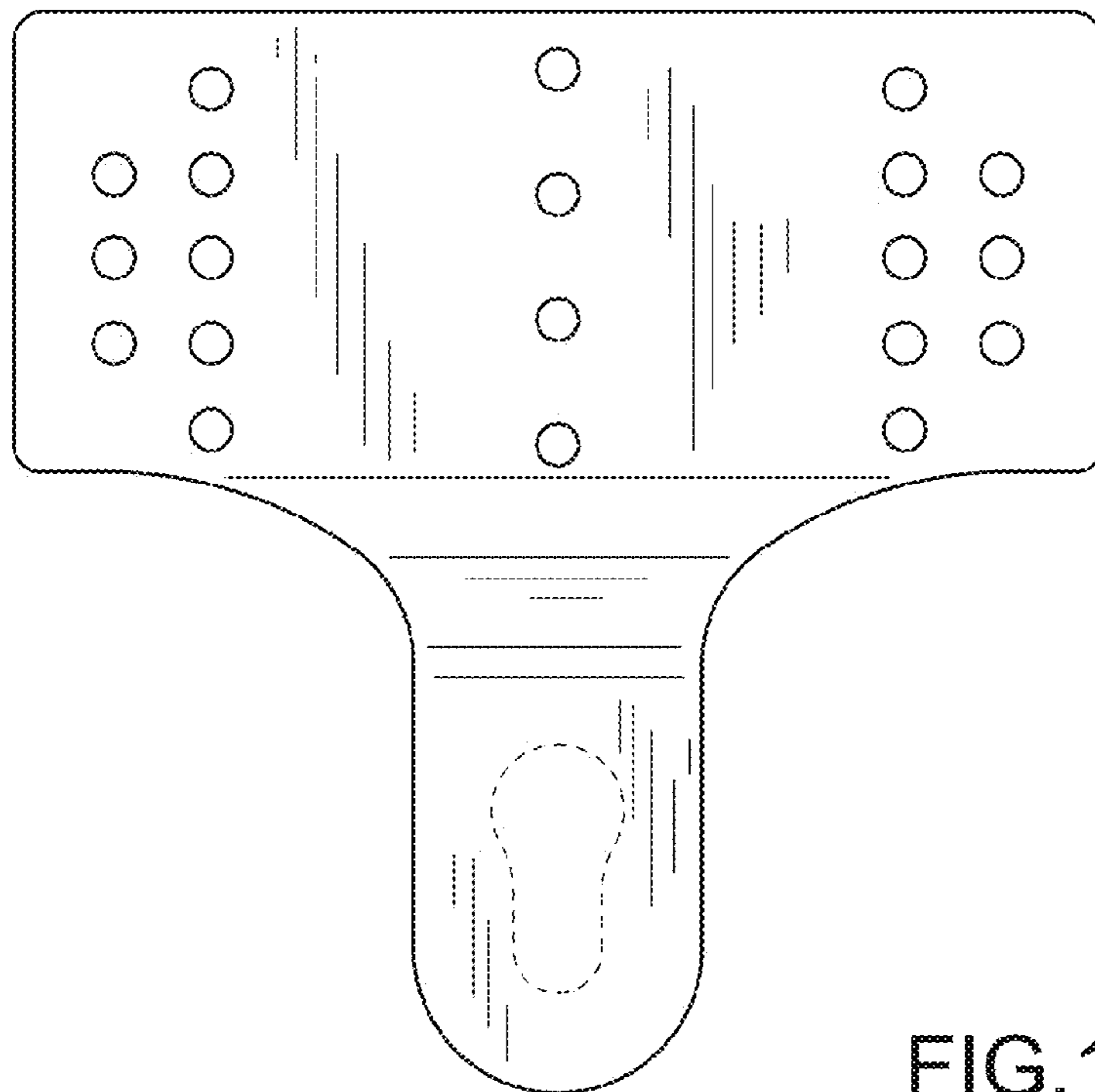


FIG. 10

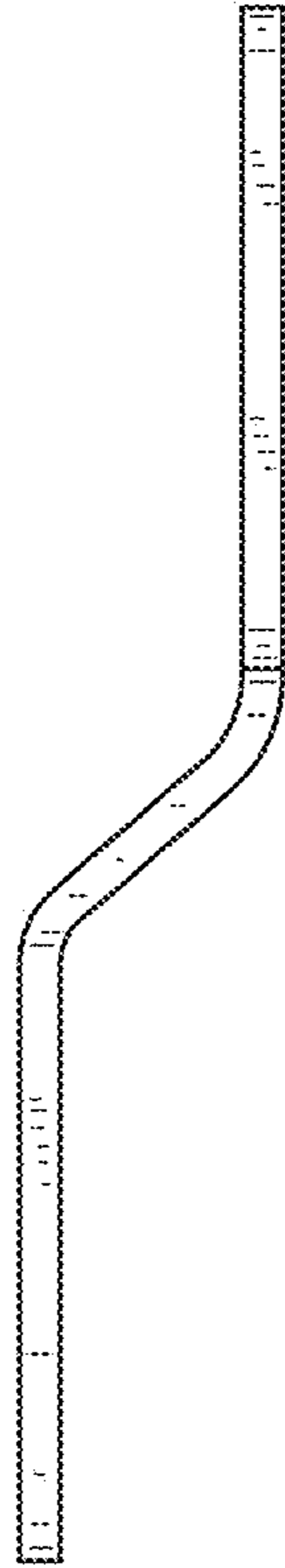


FIG. 11

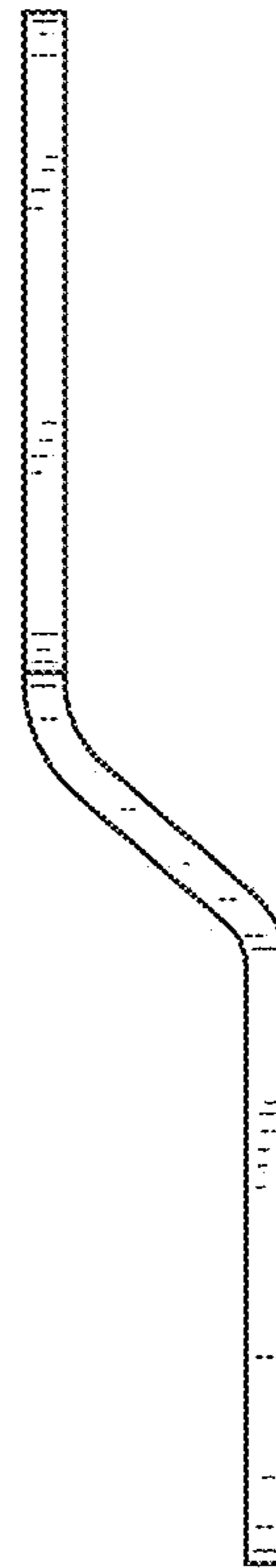


FIG. 12

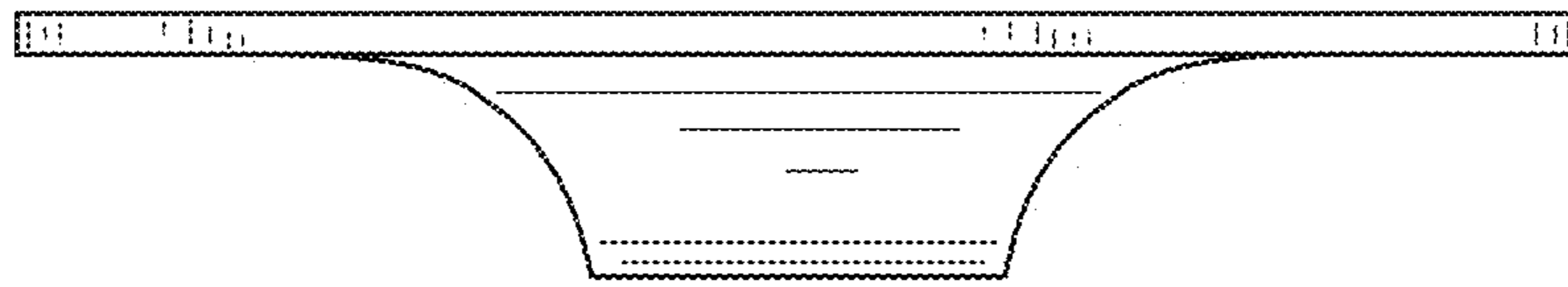


FIG. 13

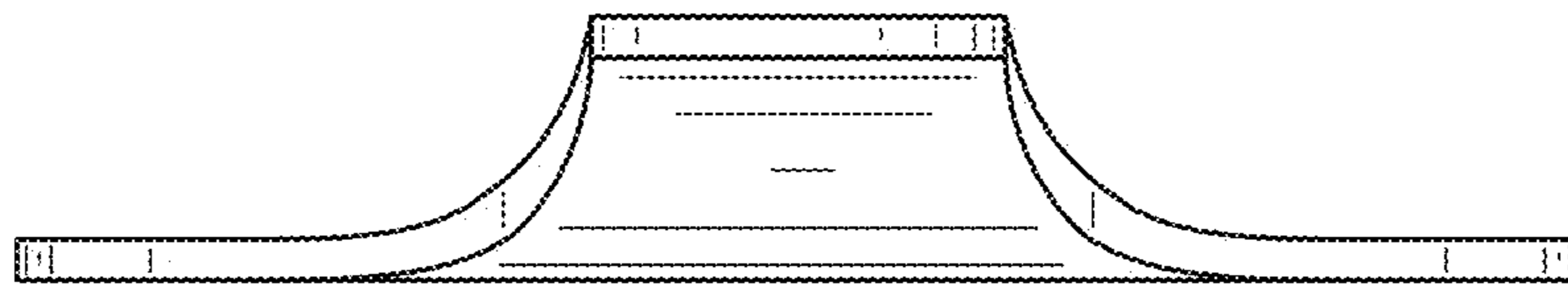


FIG. 14