

US00D764899S

(12) **United States Design Patent**  
**Petzl**

(10) **Patent No.:** **US D764,899 S**  
(45) **Date of Patent:** **\*\* Aug. 30, 2016**

(54) **CARABINER**

(71) Applicant: **ZEDEL**, Crolles (FR)

(72) Inventor: **Paul Petzl**, Crolles (FR)

(73) Assignee: **ZEDEL**, Crolles (FR)

(\*\*) Term: **15 Years**

(21) Appl. No.: **29/544,717**

(22) Filed: **Nov. 5, 2015**

(30) **Foreign Application Priority Data**

May 6, 2015 (EM) ..... 002695650-0001

(51) **LOC (10) Cl.** ..... **08-05**

(52) **U.S. Cl.**  
USPC ..... **D8/356; D8/367**

(58) **Field of Classification Search**  
USPC ..... D8/67, 354, 349, 356; D34/35  
CPC ..... F16B 45/02; B66C 1/125; B66C 1/36;  
A62B 35/0037

See application file for complete search history.

(56) **References Cited**

**U.S. PATENT DOCUMENTS**

D349,839 S \* 8/1994 Gilardelli ..... D8/331  
6,223,372 B1 \* 5/2001 Barber ..... B25F 1/00  
7/118  
7,320,159 B2 \* 1/2008 Petzl ..... F16B 45/02  
24/599.5  
7,475,456 B2 \* 1/2009 Thompson ..... F16B 45/02  
24/599.9  
7,540,074 B2 \* 6/2009 Thompson ..... F16B 45/02  
24/599.5

7,946,006 B2 \* 5/2011 Thompson ..... F16B 45/02  
24/592.11  
D649,018 S \* 11/2011 Kope ..... D8/367  
8,060,994 B2 \* 11/2011 Petzl ..... F16B 45/02  
24/599.9  
D649,862 S \* 12/2011 Arvinte ..... D8/339  
8,276,247 B2 \* 10/2012 Yang ..... F16B 45/02  
24/599.5  
D684,452 S \* 6/2013 Petzl ..... D8/356  
8,474,112 B2 \* 7/2013 Thompson ..... F16B 45/02  
24/582.11  
D708,047 S \* 7/2014 Petzl ..... D8/356  
8,905,449 B2 \* 12/2014 Calvert ..... F16B 45/025  
24/599.1  
D726,123 S \* 4/2015 Su ..... D13/154  
9,003,617 B2 \* 4/2015 Walker ..... F16B 45/02  
24/599.1  
9,322,428 B2 \* 4/2016 Perner ..... F16B 45/02

\* cited by examiner

*Primary Examiner* — Cynthia Underwood  
(74) *Attorney, Agent, or Firm* — Oliff PLC

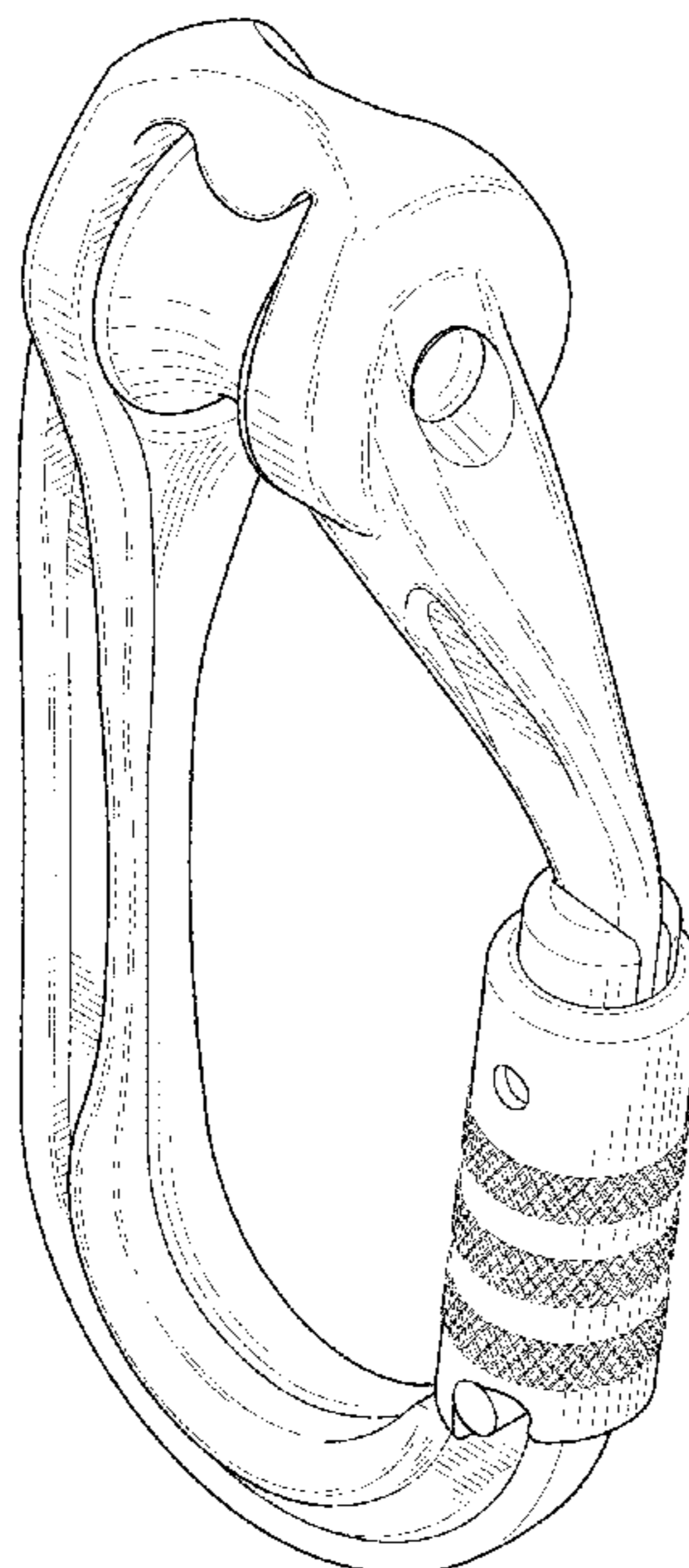
(57) **CLAIM**

The ornamental design for a carabiner, as shown and described.

**DESCRIPTION**

FIG. 1 is a front, left-side perspective view of the carabiner; FIG. 2 is a left-side elevational view thereof, which is a mirror image of the right-side elevational view thereof; FIG. 3 is a top plan view thereof; FIG. 4 is a rear elevational view thereof; FIG. 5 is a front elevational view thereof; and, FIG. 6 is a bottom plan view thereof. The broken lines depict environmental subject matter only and form no part of the claimed design.

**1 Claim, 4 Drawing Sheets**



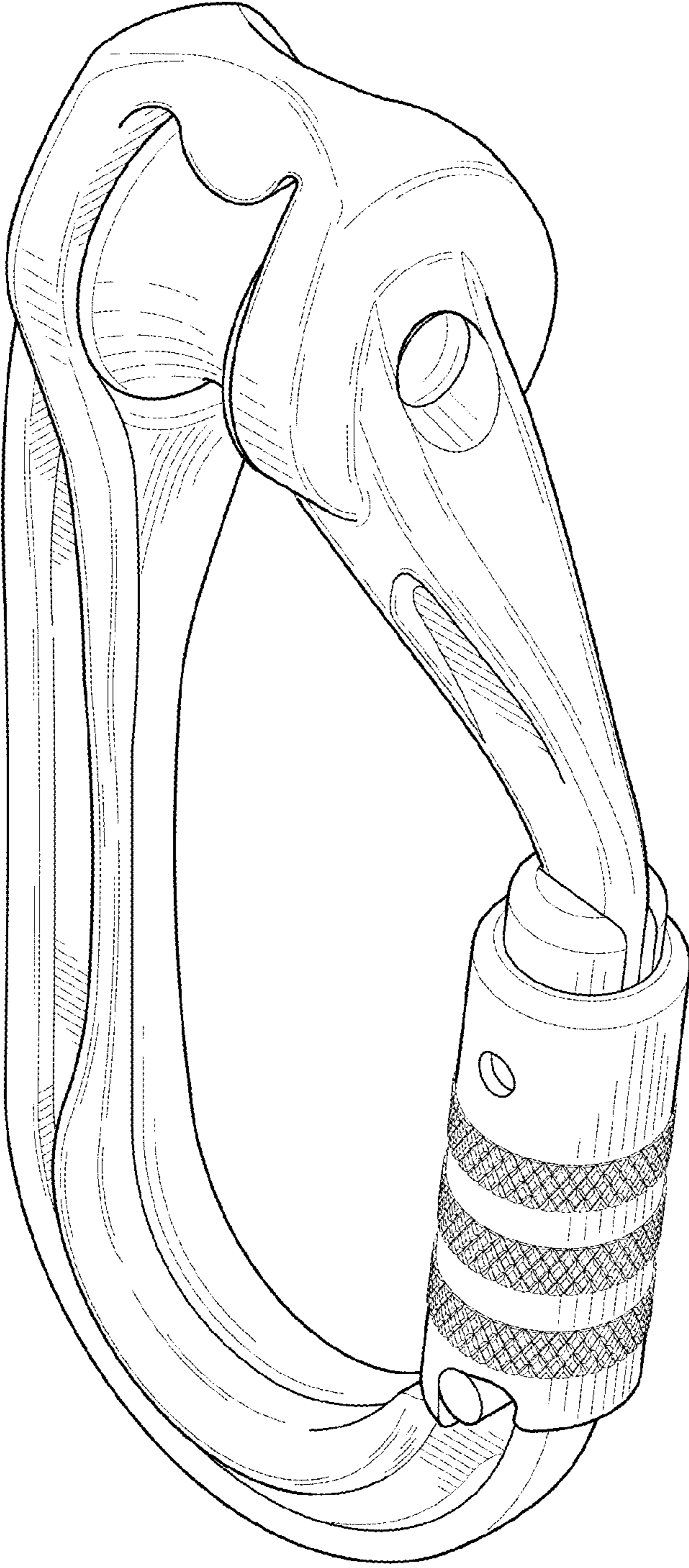


FIG. 1

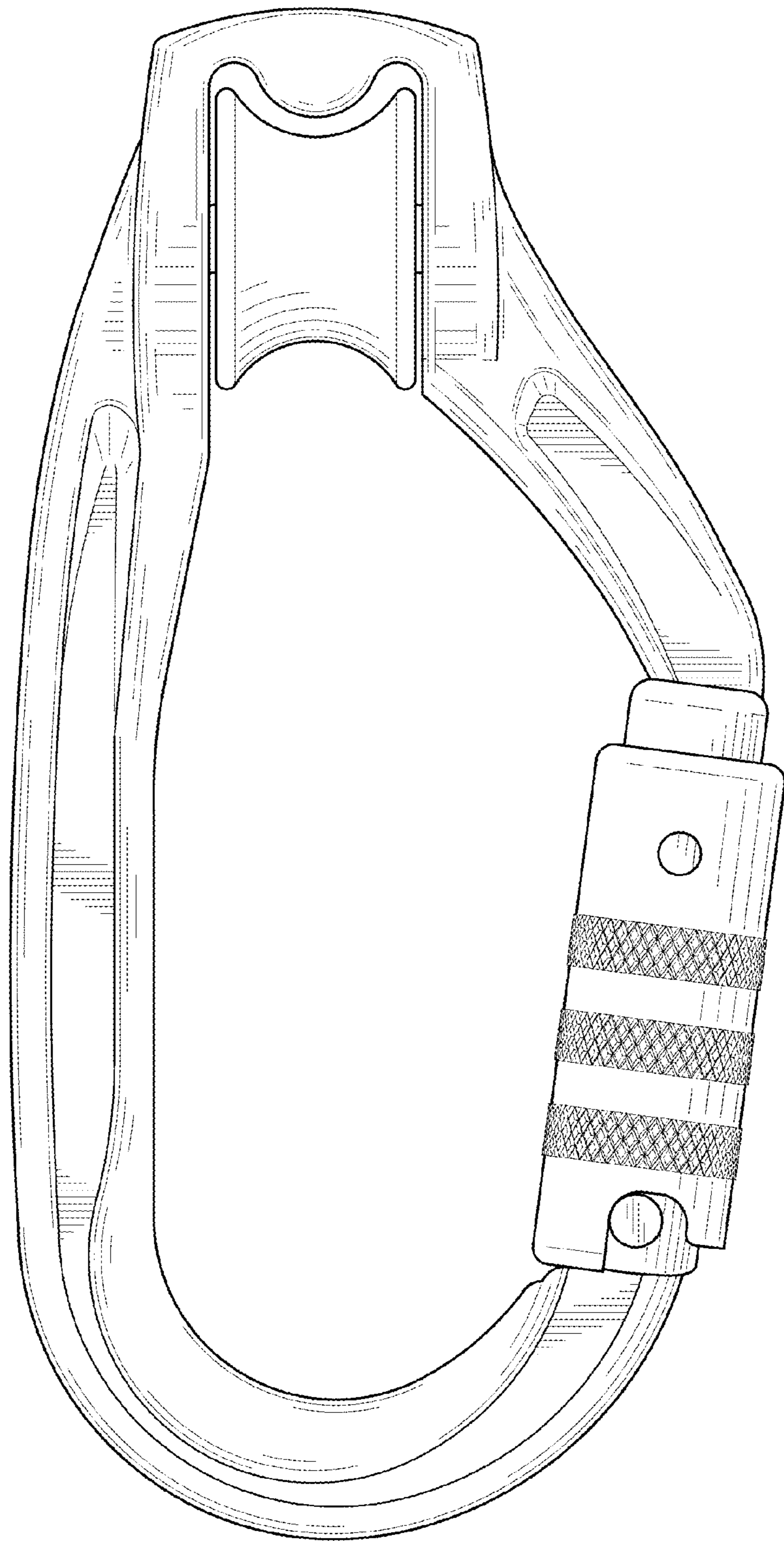


FIG. 2

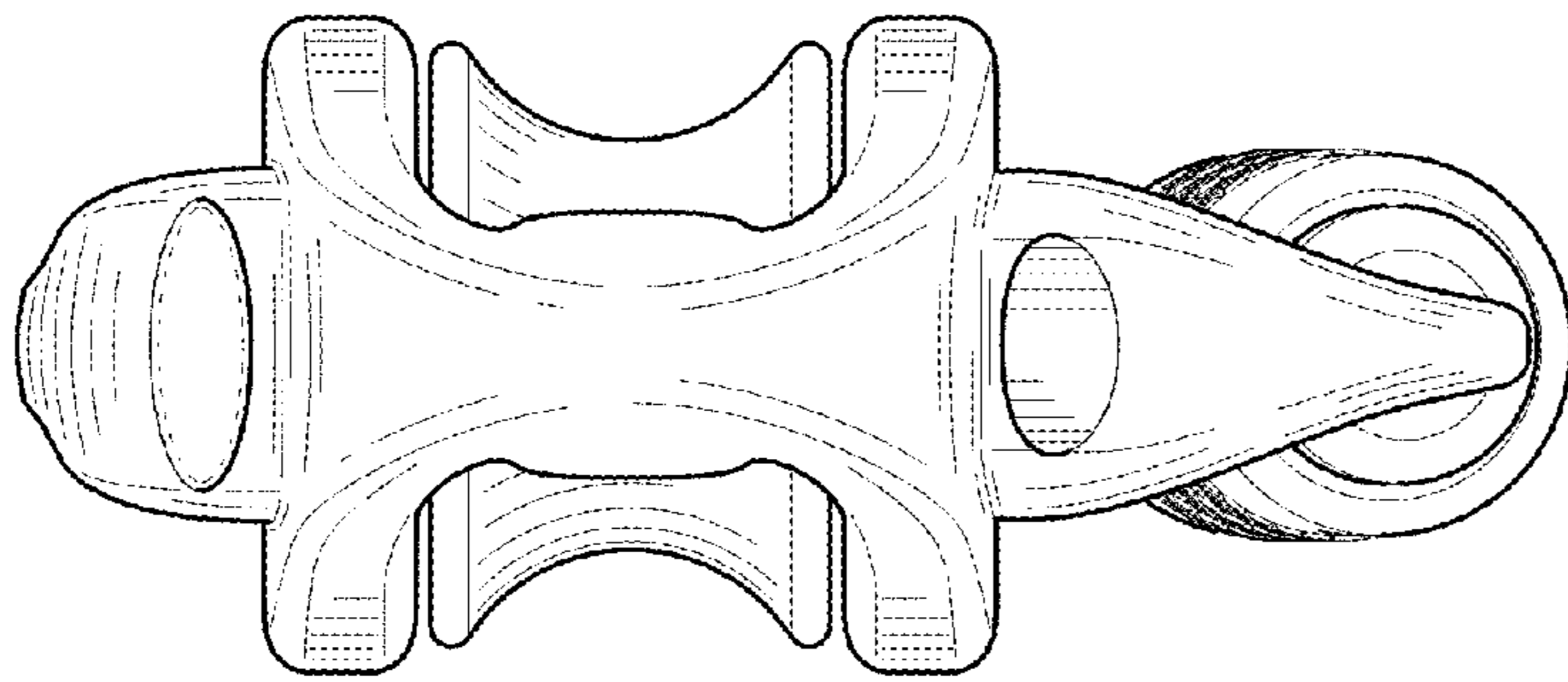


FIG. 3

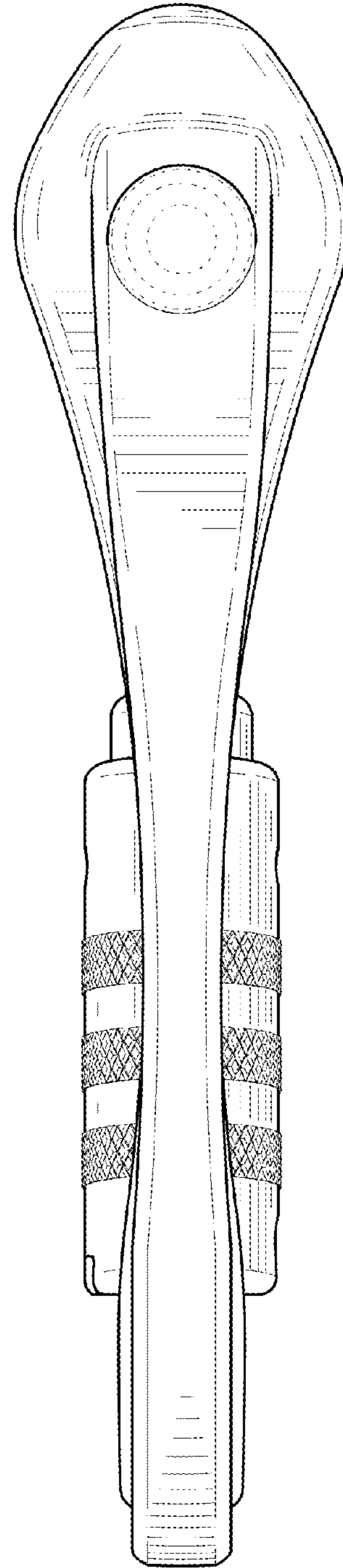


FIG. 4

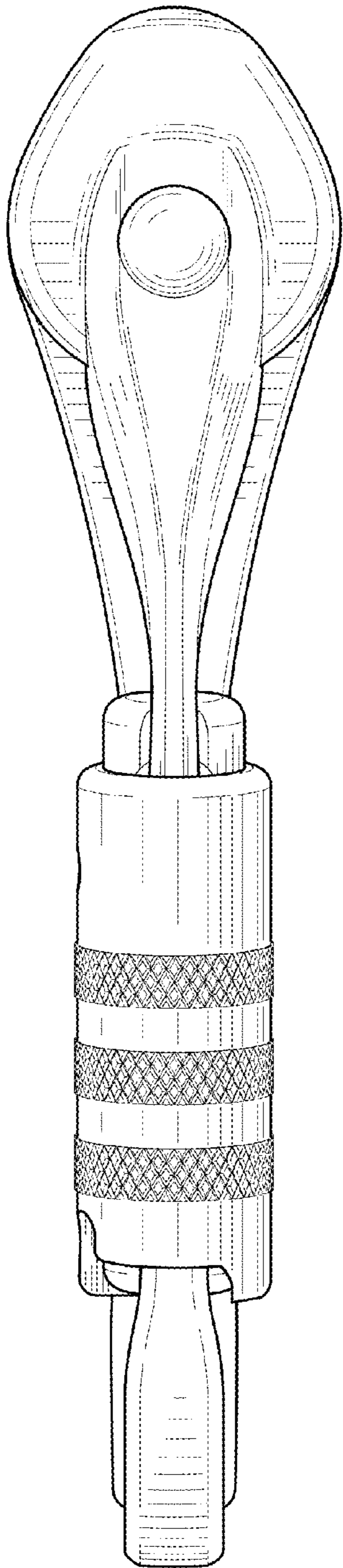


FIG. 5

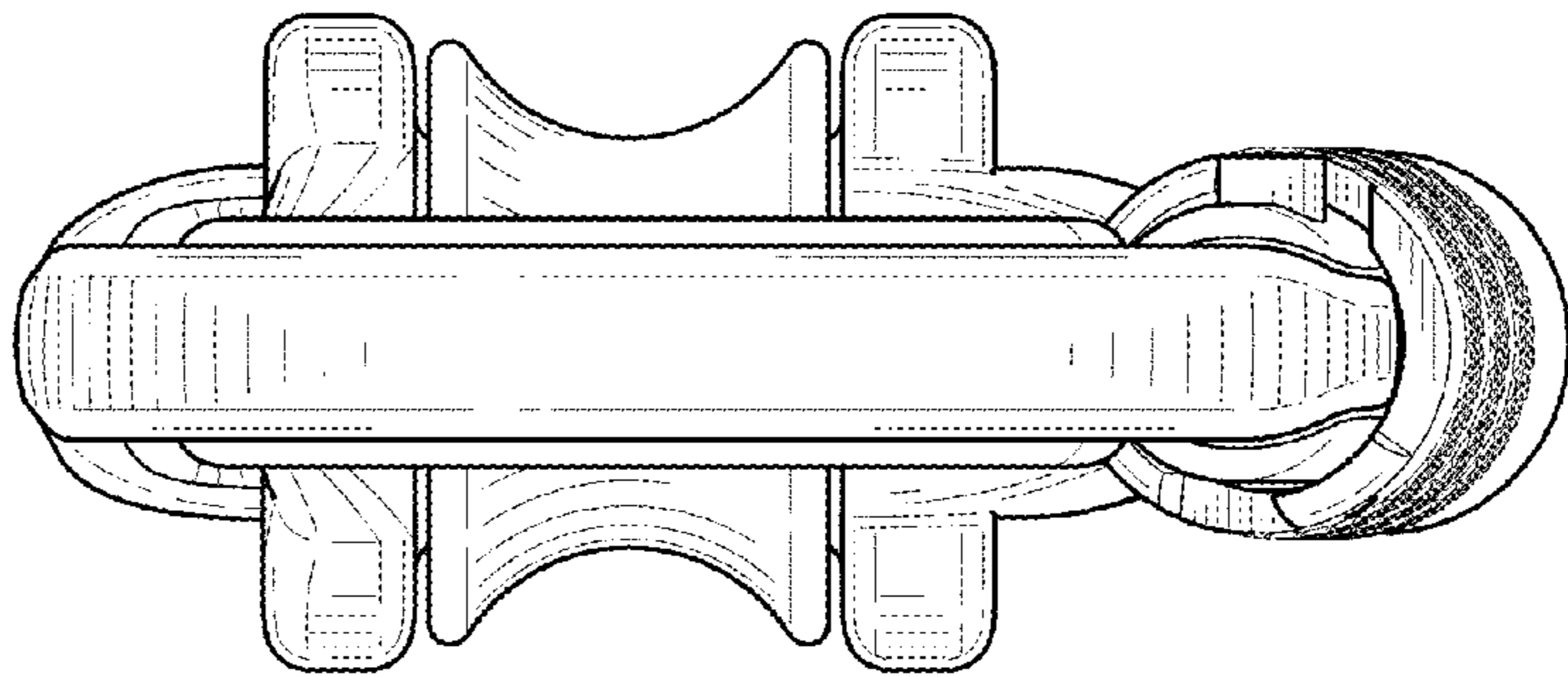


FIG. 6