



US00D764897S

(12) **United States Design Patent** (10) **Patent No.:** **US D764,897 S**
Partridge et al. (45) **Date of Patent:** **** *Aug. 30, 2016**

- (54) **LIGHTNING PROTECTION MOUNT**
- (71) Applicant: **LIGHTNING PROTECTION SYSTEMS, LLC**, North Salt Lake, UT (US)
- (72) Inventors: **Kirk Partridge**, Park City, UT (US); **Todd Vought**, Park City, UT (US); **Travis Vought**, Salt Lake City, UT (US)
- (73) Assignee: **LIGHTNING PROTECTION SYSTEMS, LLC**, North Salt Lake, UT (US)
- (*) Notice: This patent is subject to a terminal disclaimer.
- (**) Term: **14 Years**
- (21) Appl. No.: **29/525,934**
- (22) Filed: **May 5, 2015**

Related U.S. Application Data

- (60) Division of application No. 14/448,684, filed on Jul. 31, 2014, now Pat. No. 9,263,864, and a continuation-in-part of application No. 14/600,270, filed on Jan. 20, 2015, which is a continuation of application No. 13/676,292, filed on Nov. 14, 2012, now Pat. No. 8,950,055.
 - (51) **LOC (10) Cl.** **11-05**
 - (52) **U.S. Cl.**
USPC **D8/349**; D8/382
 - (58) **Field of Classification Search**
USPC D6/300, 301, 302, 309, 328, 553;
D8/307, 310, 349, 354, 382, 387, 388,
D8/499
CPC H02G 13/00; H02G 1/14; F16L 3/06;
F16L 3/1008; F16M 13/02; Y10T 29/49869;
Y10T 29/49947; Y10T 29/49117; Y10T
29/49966
- See application file for complete search history.

- (56) **References Cited**
U.S. PATENT DOCUMENTS
D285,246 S * 8/1986 Fetty D23/250
D294,676 S * 3/1988 Egner D8/382

(Continued)

OTHER PUBLICATIONS

<http://www.youtube.com/watch?v=U2vbR34jBzk&feature=related>, Sep. 26, 2012.

(Continued)

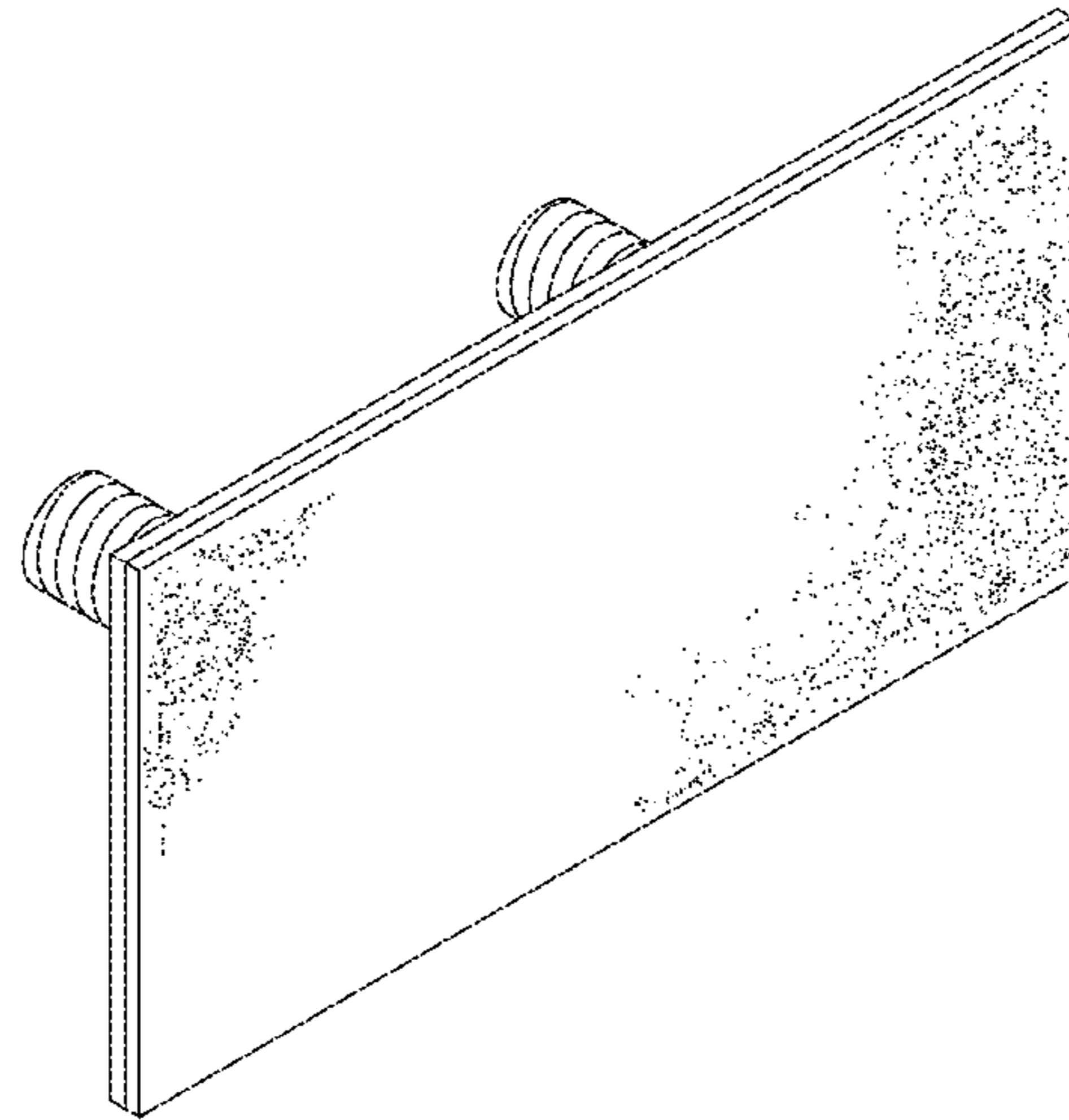
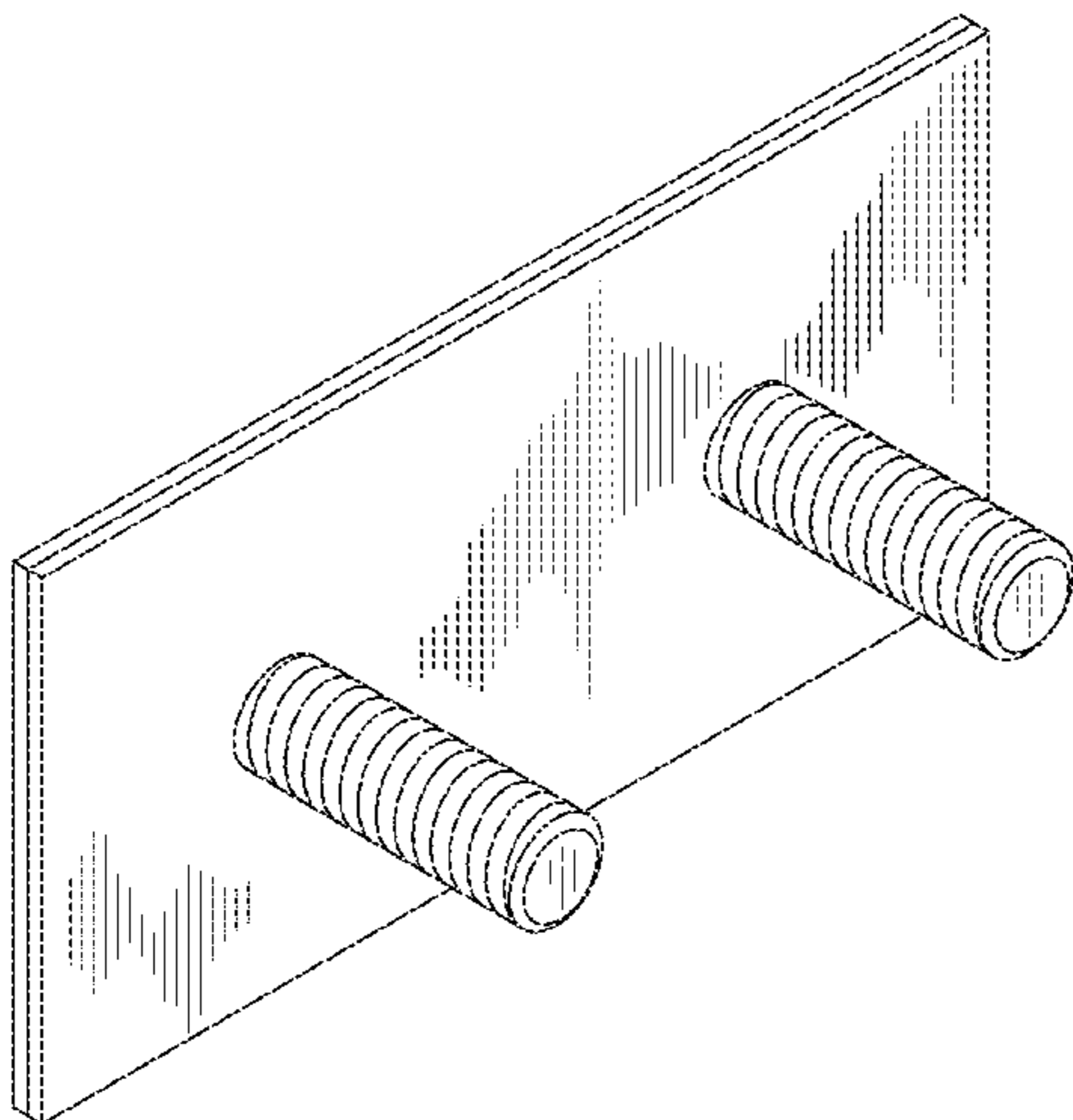
Primary Examiner — Sheryl Lane
Assistant Examiner — Ieisha Price
(74) *Attorney, Agent, or Firm* — Pate Baird; PLLC

- (57) **CLAIM**
The ornamental design for a lightning protection mount, as shown and described.

DESCRIPTION

FIG. 1 is a front perspective view of a lightning protection mount in accordance with the invention; FIG. 2 is a rear perspective view thereof; FIG. 3 is a partially cut away rear perspective view thereof; FIG. 4 is a front elevation view thereof; FIG. 5 is a rear elevation view thereof; FIG. 6 is a top plan view thereof; FIG. 7 is a bottom plan view thereof; FIG. 8 is a left side elevation view thereof; FIG. 9 is a right side elevation view thereof; FIG. 10 is an environmental perspective view the lightning protection mount in accordance with the invention; and, FIG. 11 is an environmental perspective view of the lightning protection mount in accordance with the invention. The broken lines shown in FIGS. 10 and 11 represents the environment of the claimed design and forms no part thereof. The broken lines shown in FIG. 2 illustrate portions of the lightning protection mount which form no part of the claimed design. The stippling shown in FIGS. 2, 3, 5, 10 and 11 represents a polymeric material surface.

1 Claim, 6 Drawing Sheets



(56)

References Cited

U.S. PATENT DOCUMENTS

D295,258 S * 4/1988 Niwa 174/138 D
 D295,368 S * 4/1988 Niwa 174/138 D
 5,050,836 A 9/1991 Makous
 D356,729 S * 3/1995 Kassouni D8/387
 5,407,310 A * 4/1995 Kassouni B29C 70/76
 29/525.02
 D382,920 S * 8/1997 Munir D21/486
 D431,176 S * 9/2000 Zarnoti D8/354
 8,950,055 B2 * 2/2015 Partridge H02G 13/00
 29/525.13
 D734,133 S * 7/2015 Spindler D8/367
 9,096,284 B2 * 8/2015 Meulemans B62D 55/286
 2011/0286785 A1 11/2011 Brouwer et al.
 2015/0014015 A1 * 1/2015 Partridge H02G 13/00
 174/3
 2015/0188299 A1 * 7/2015 Partridge H02G 13/00
 29/825

OTHER PUBLICATIONS

<http://www.youtube.com/watch?v=hNgtoI3IsQ4>, Sep. 26, 2012.
http://www.uline.com/Grp_240/3M-VHB-Tapes?pricode=W1849&AdKeyword=3m%20vhb%20tape&AdMatchtype=e&gclid=COvctNuh58QCFViUfgodHY8APA&gclsrc=aw.ds, Apr. 8, 2015.
http://www.lightningrodsupply.com/index_files/page0001.htm
 Lightning Rod Parts Equipment, pp. 1-5, Apr. 8, 2015.
<http://www.enrico.com/products/LP302.asp> Enrico® Eritech® Universal Air Terminal Base LP302 pp. 1-2, Apr. 7, 2015.
<http://www.enrico.com/products/SR000E.asp> Enrico® Eritech® System 2000 Lightning Protection System-America pp. 1-2, Apr. 7, 2015.
http://www.kuefler-lightning.com/series800-fasteners.htm?gclid=CKfk_vSk5cQCFY-Tfgod Lightning Protection Copper, Aluminum Cable Straps, Holders for Standing Seam Roofing Series 800-Lightning Protection Conductor Fasteners pp. 1-5, Apr. 7, 2015.

* cited by examiner

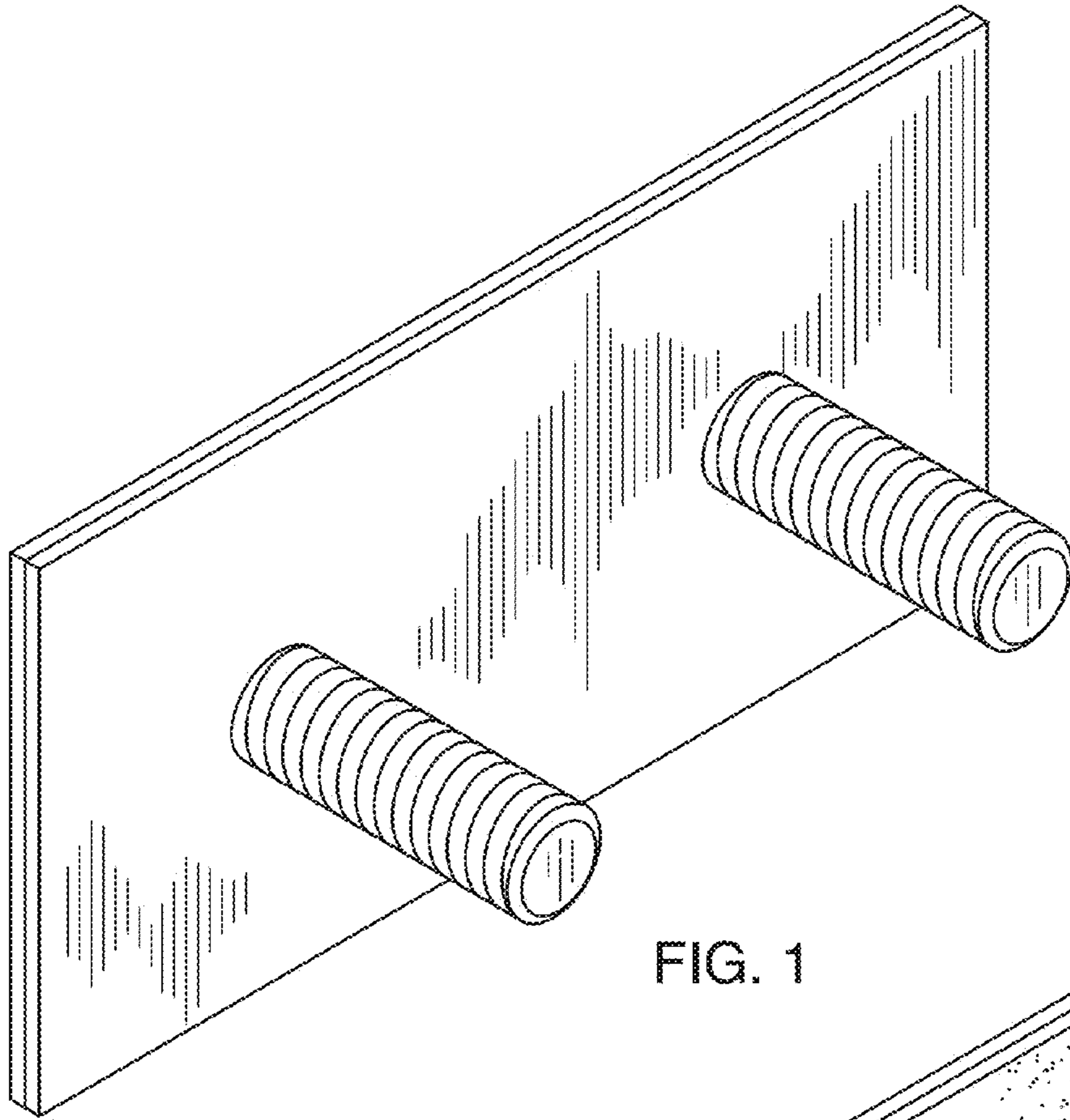


FIG. 1

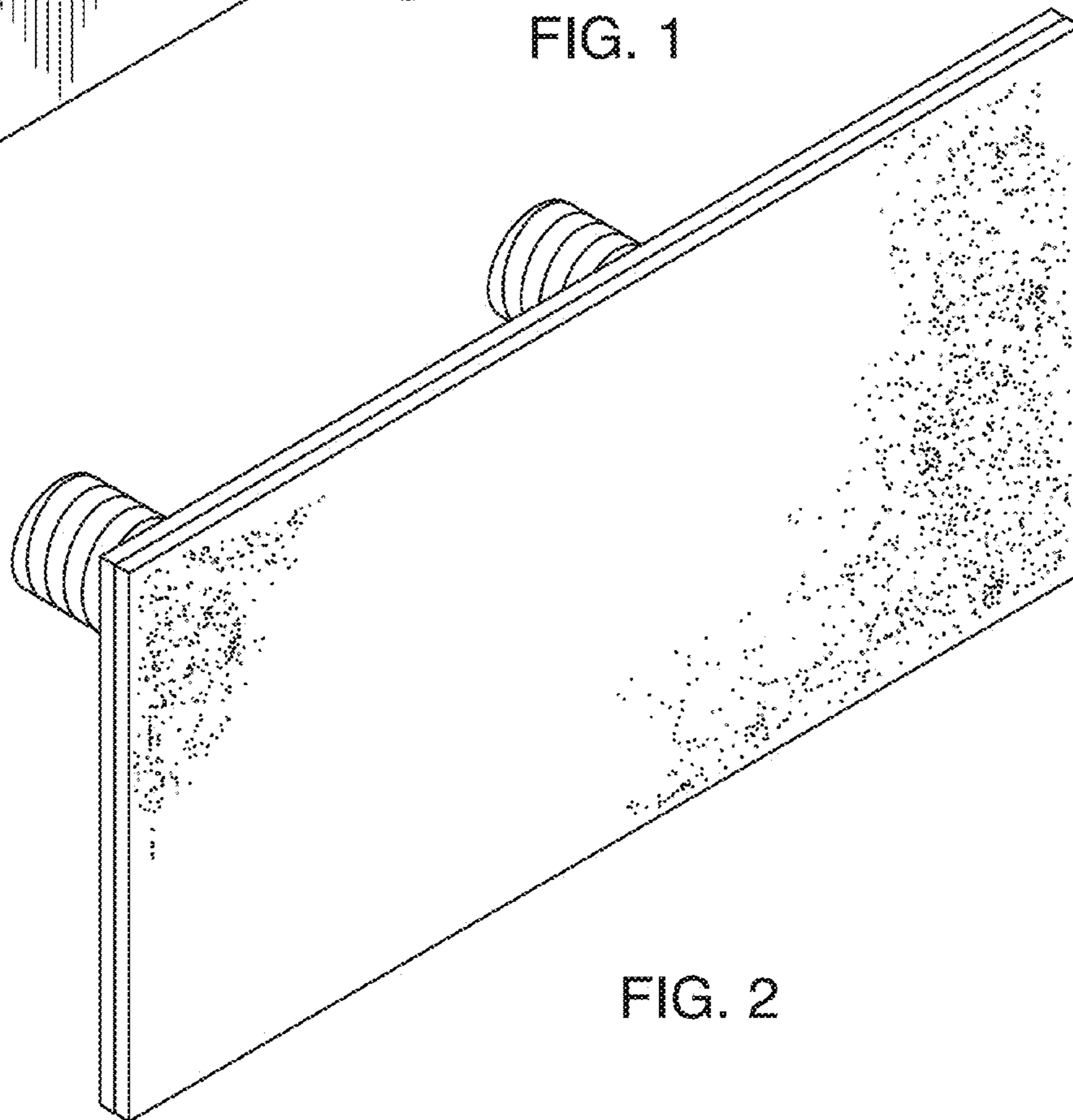


FIG. 2

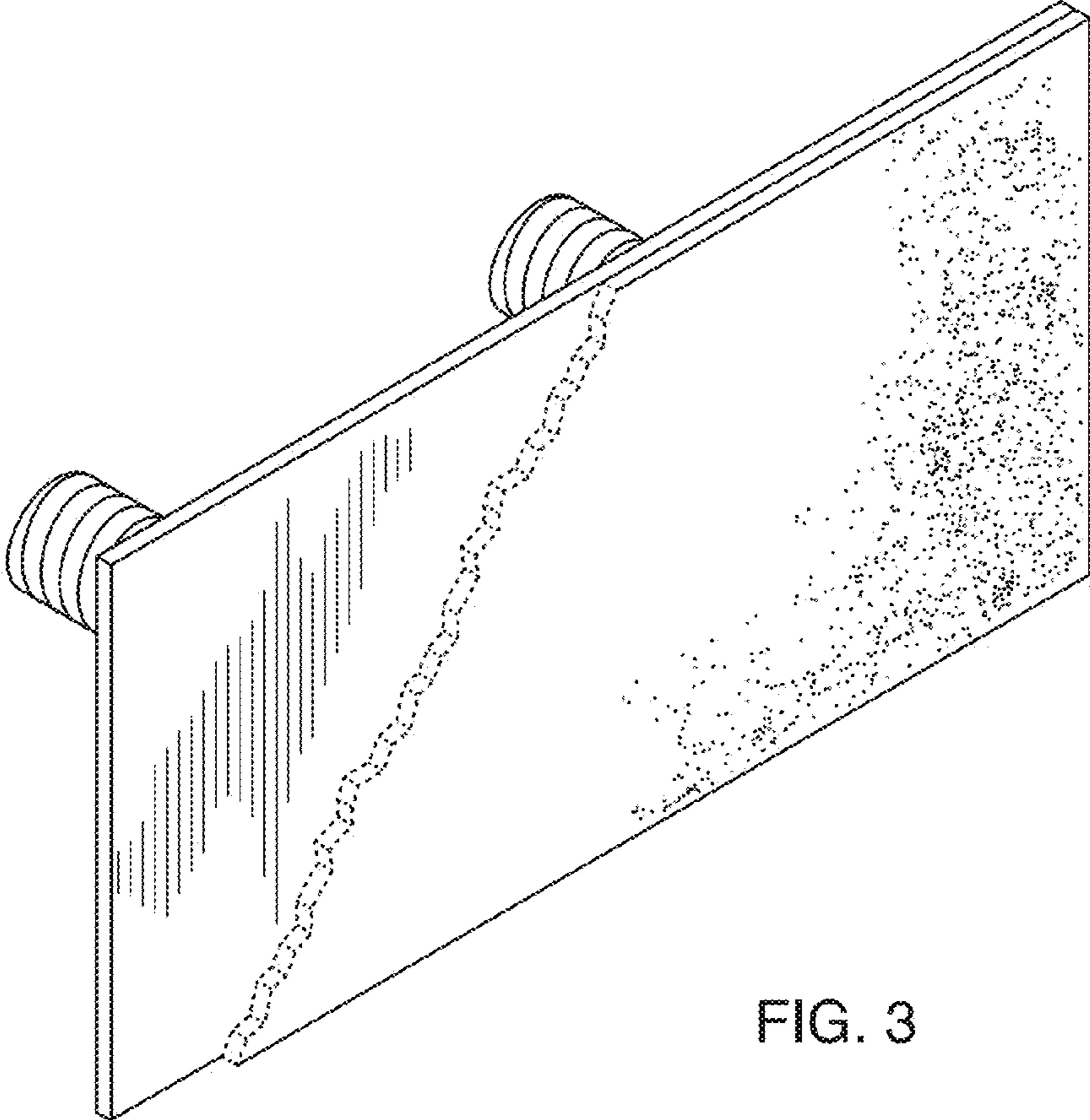


FIG. 3

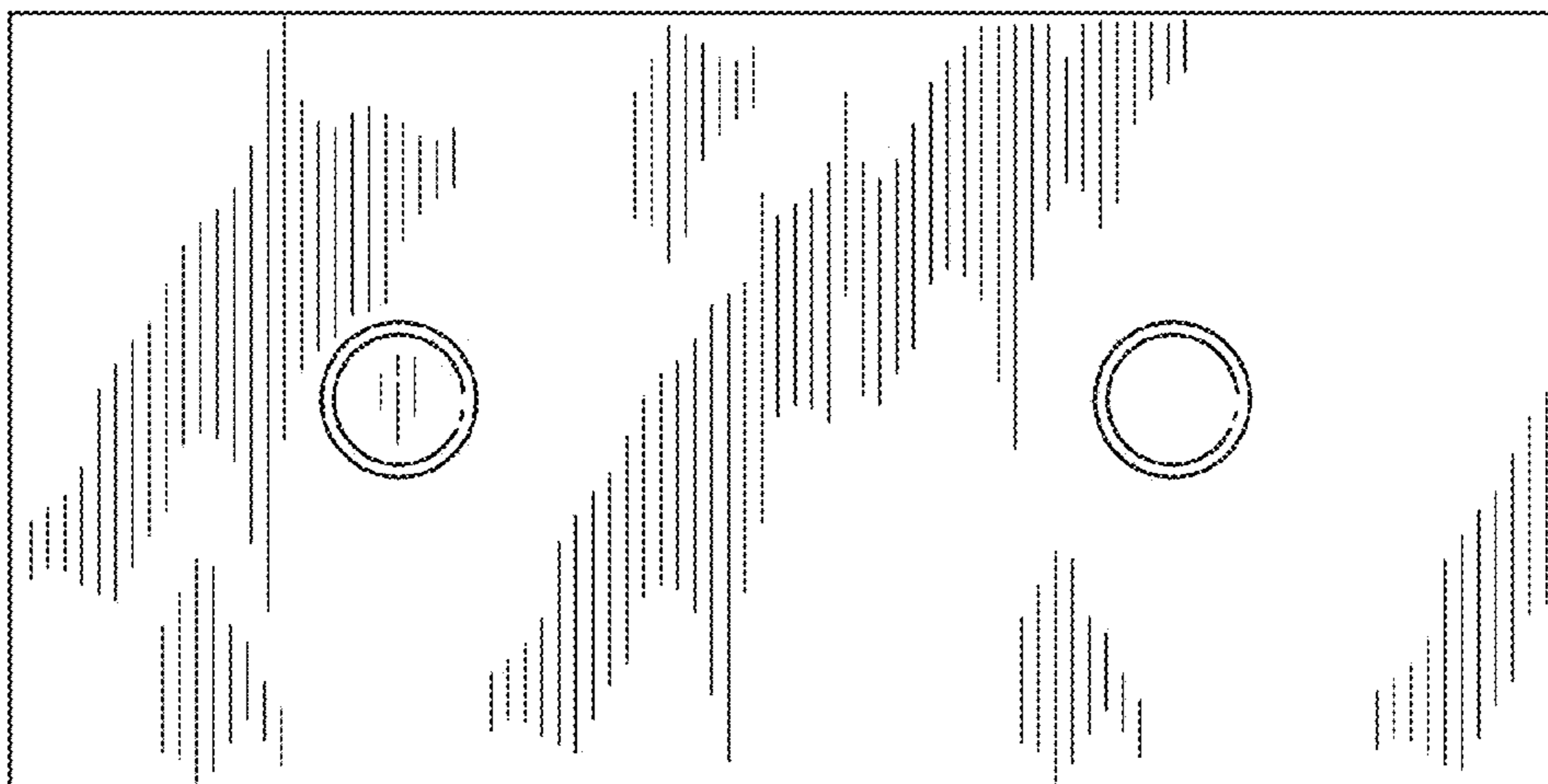


FIG. 4

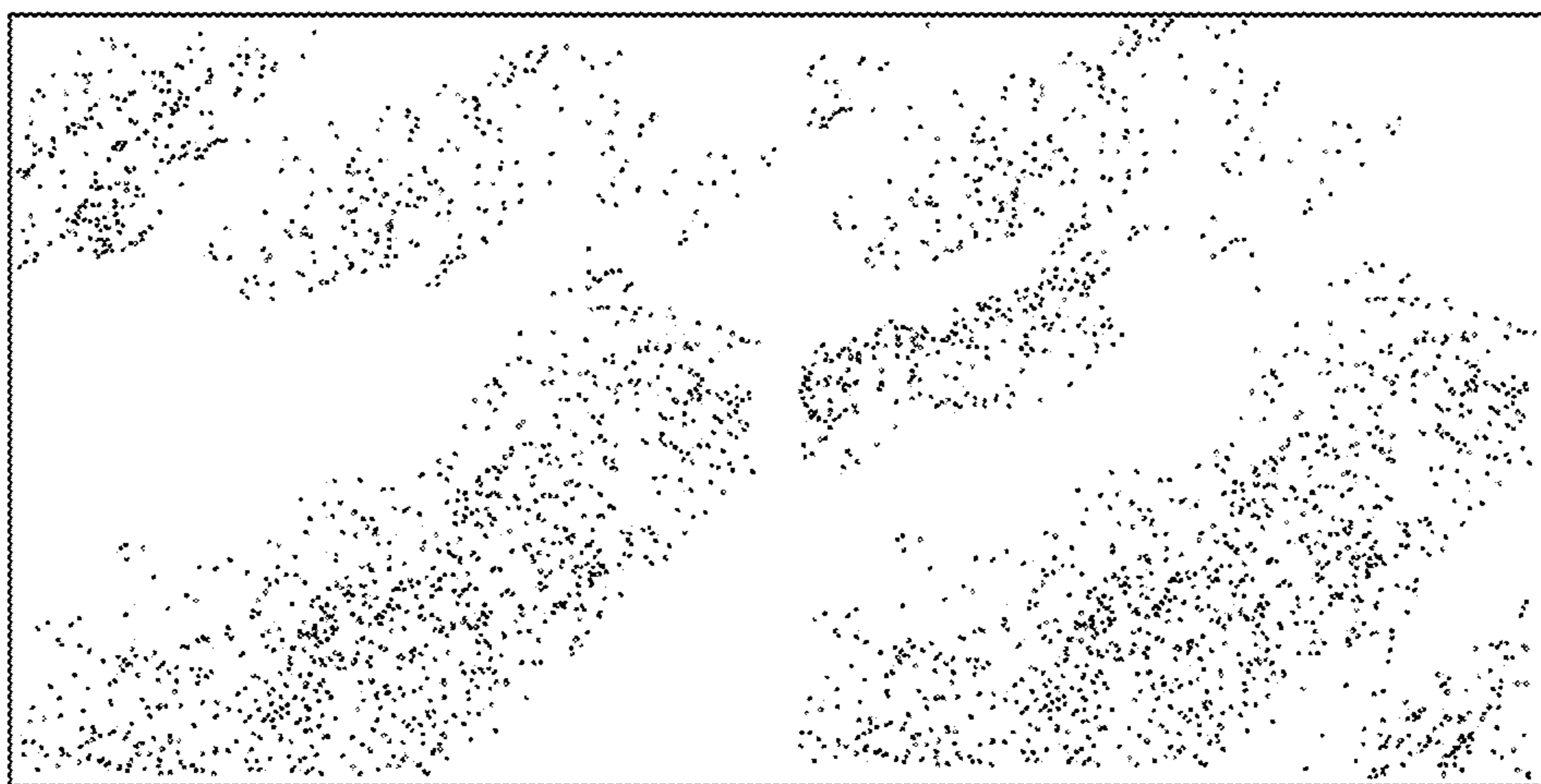


FIG. 5

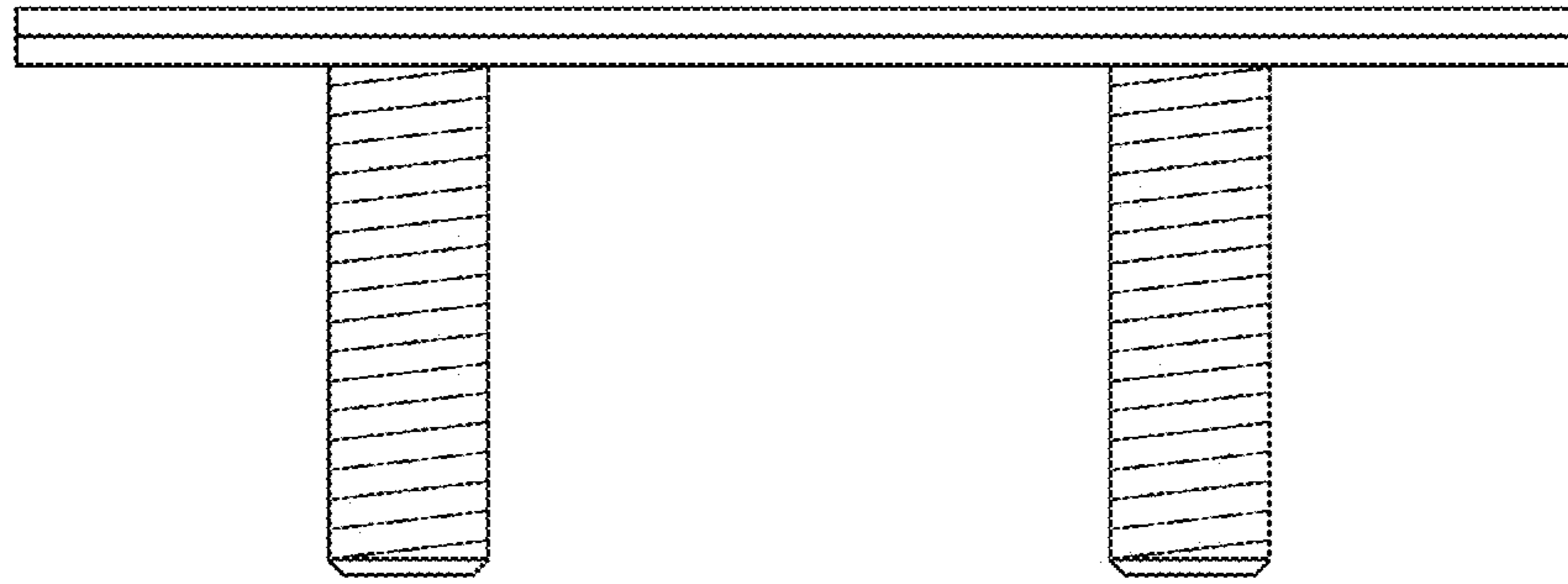


FIG. 6

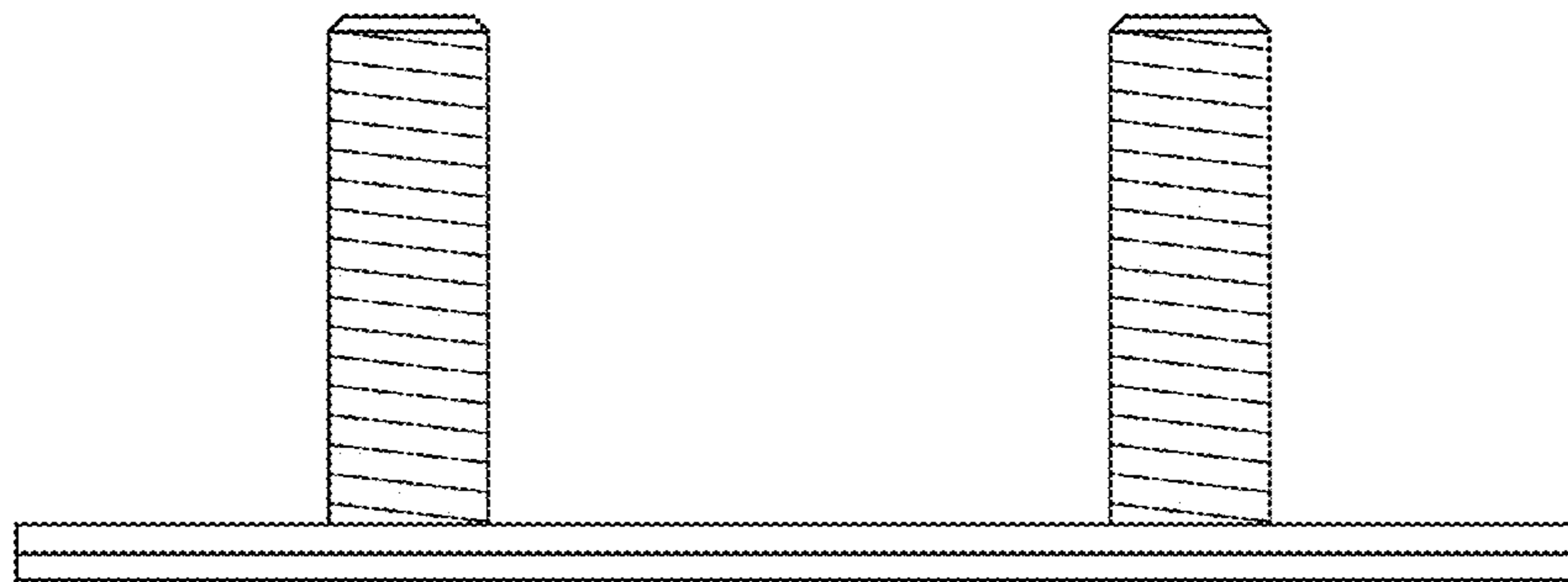


FIG. 7

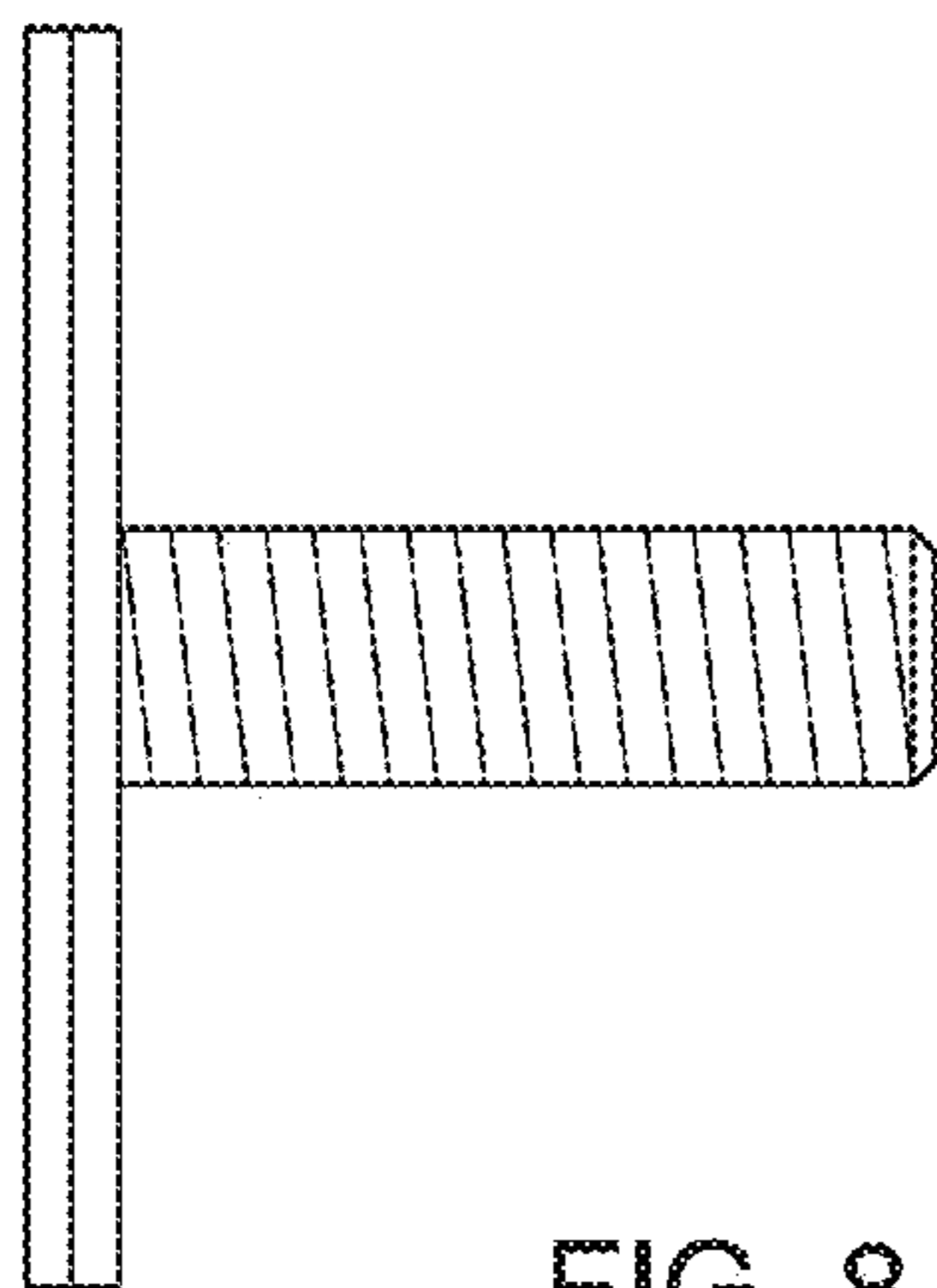


FIG. 8

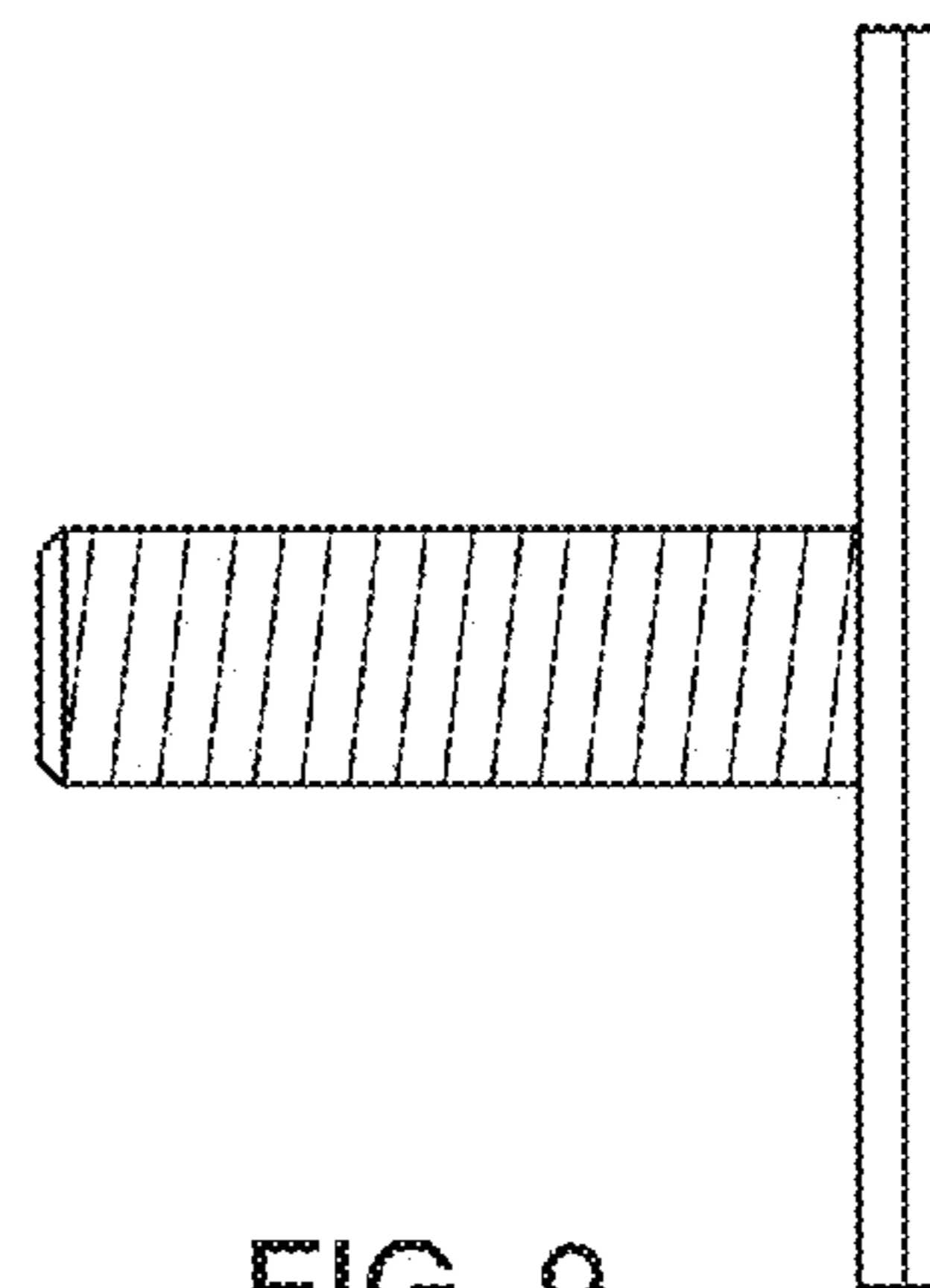


FIG. 9

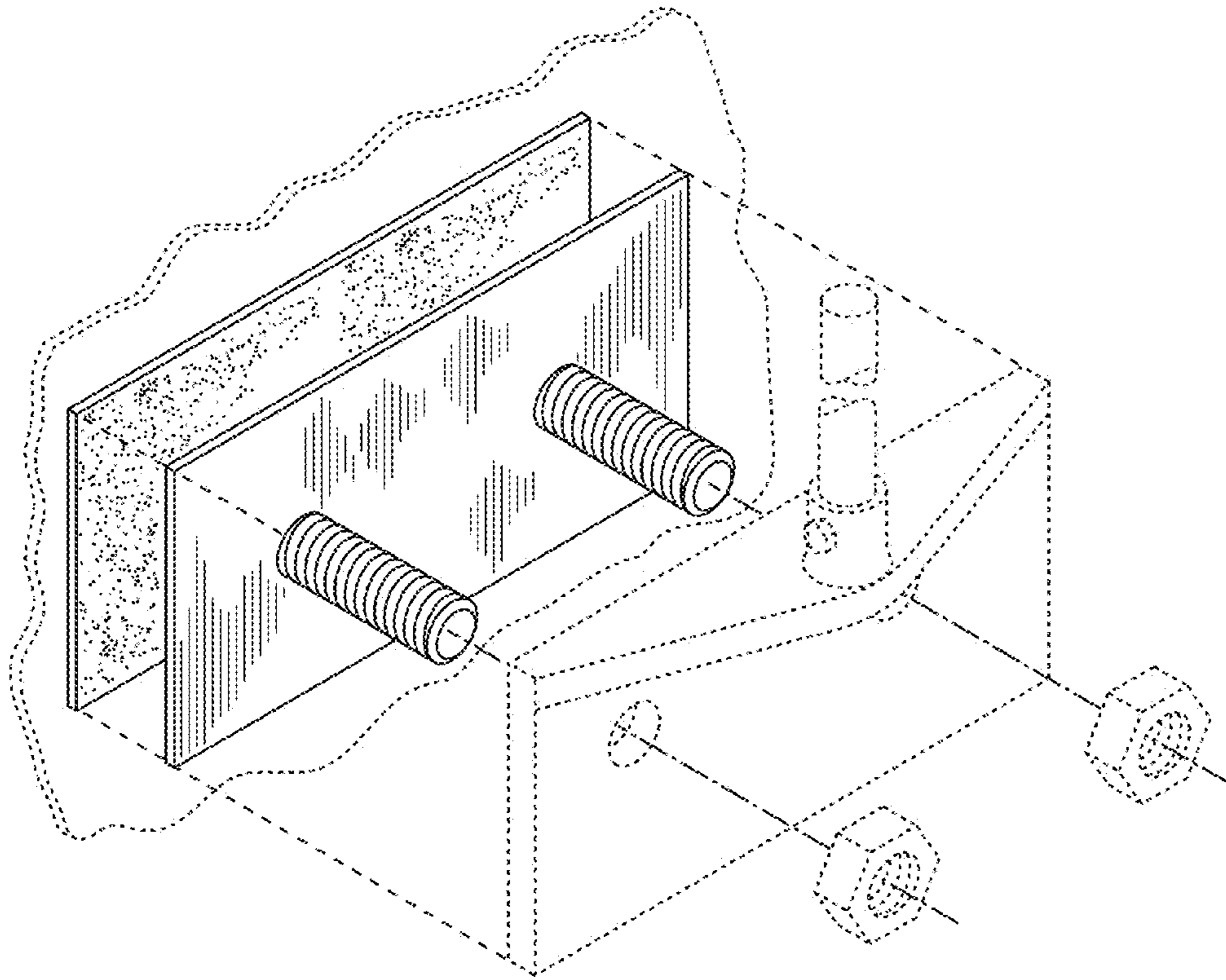


FIG. 10

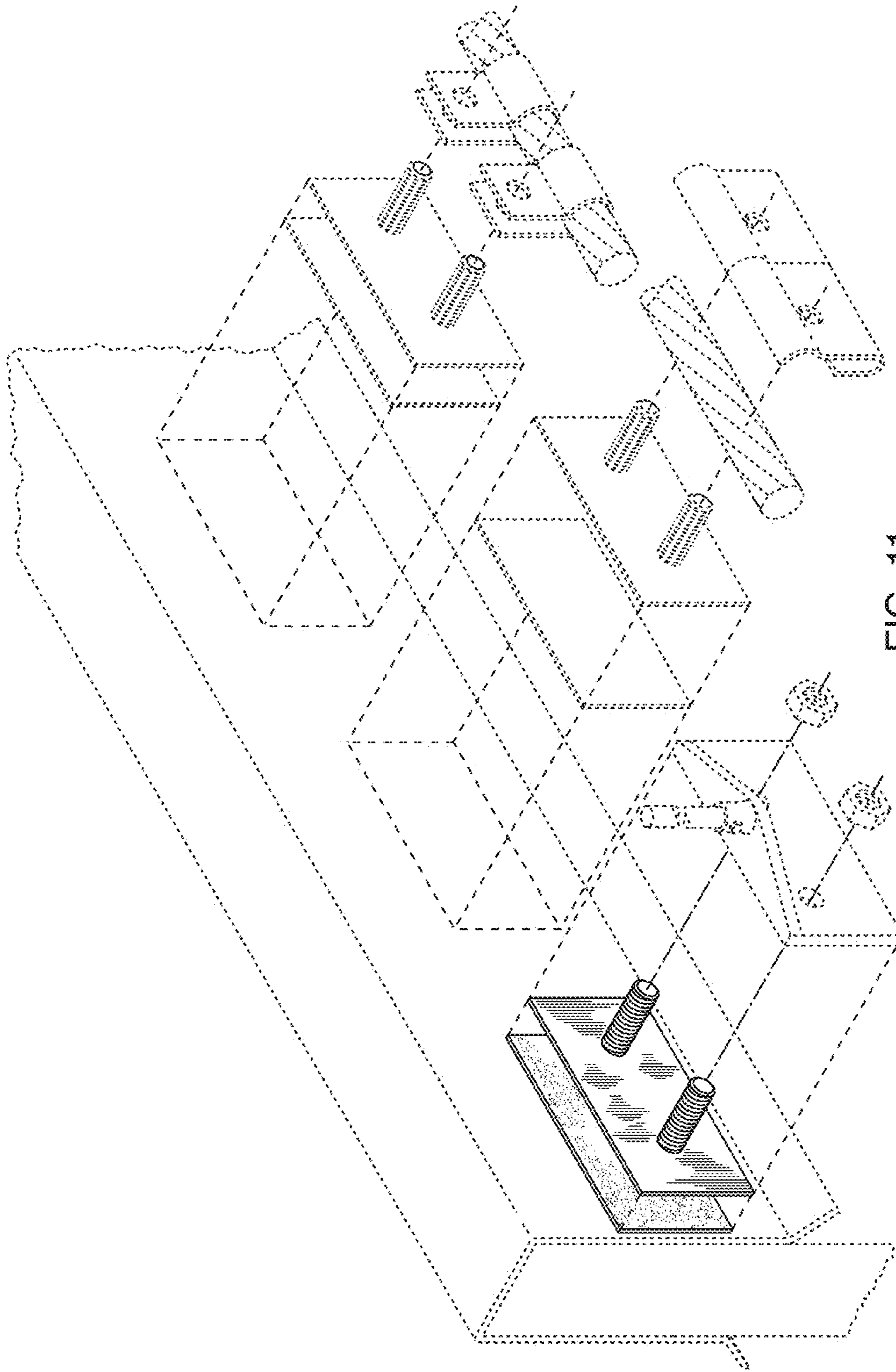


FIG. 11