



US00D764896S

(12) **United States Design Patent** (10) **Patent No.:** **US D764,896 S**
Partridge et al. (45) **Date of Patent:** **** *Aug. 30, 2016**

- (54) **LIGHTNING PROTECTION MOUNT**
- (71) Applicant: **LIGHTNING PROTECTION SYSTEMS, LLC**, North Salt Lake, UT (US)
- (72) Inventors: **Kirk Partridge**, Park City, UT (US); **Todd Vought**, Park City, UT (US); **Travis Vought**, Salt Lake City, UT (US)
- (73) Assignee: **LIGHTNING PROTECTION SYSTEMS, LLC**, North Salt Lake, UT (US)
- (*) Notice: This patent is subject to a terminal disclaimer.
- (**) Term: **14 Years**
- (21) Appl. No.: **29/525,930**
- (22) Filed: **May 5, 2015**

Related U.S. Application Data

- (60) Division of application No. 14/448,684, filed on Jul. 31, 2014, now Pat. No. 9,263,864, and a continuation-in-part of application No. 14/600,270, filed on Jan. 20, 2015, which is a continuation of application No. 13/676,292, filed on Nov. 14, 2012, now Pat. No. 8,950,055.
- (51) **LOC (10) Cl.** **11-05**
- (52) **U.S. Cl.**
USPC **D8/349**; D8/382
- (58) **Field of Classification Search**
USPC D6/300, 301, 302, 309, 328, 553;
D8/307, 310, 349, 354, 382, 387, 388,
D8/499
CPC H02G 13/00; H02G 1/14; F16L 3/06;
F16L 3/1008; F16M 13/02; Y10T 29/49869;
Y10T 29/49947; Y10T 29/49117; Y10T
29/49966
See application file for complete search history.

- (56) **References Cited**
U.S. PATENT DOCUMENTS
3,230,817 A * 1/1966 Thomas F16B 15/00
411/372.5
D244,197 S * 5/1977 Ostroll D20/28
(Continued)

- OTHER PUBLICATIONS**
<http://www.youtube.com/watch?v=U2vbR34jBzk&feature=related>,
Sep. 26, 2012.
(Continued)

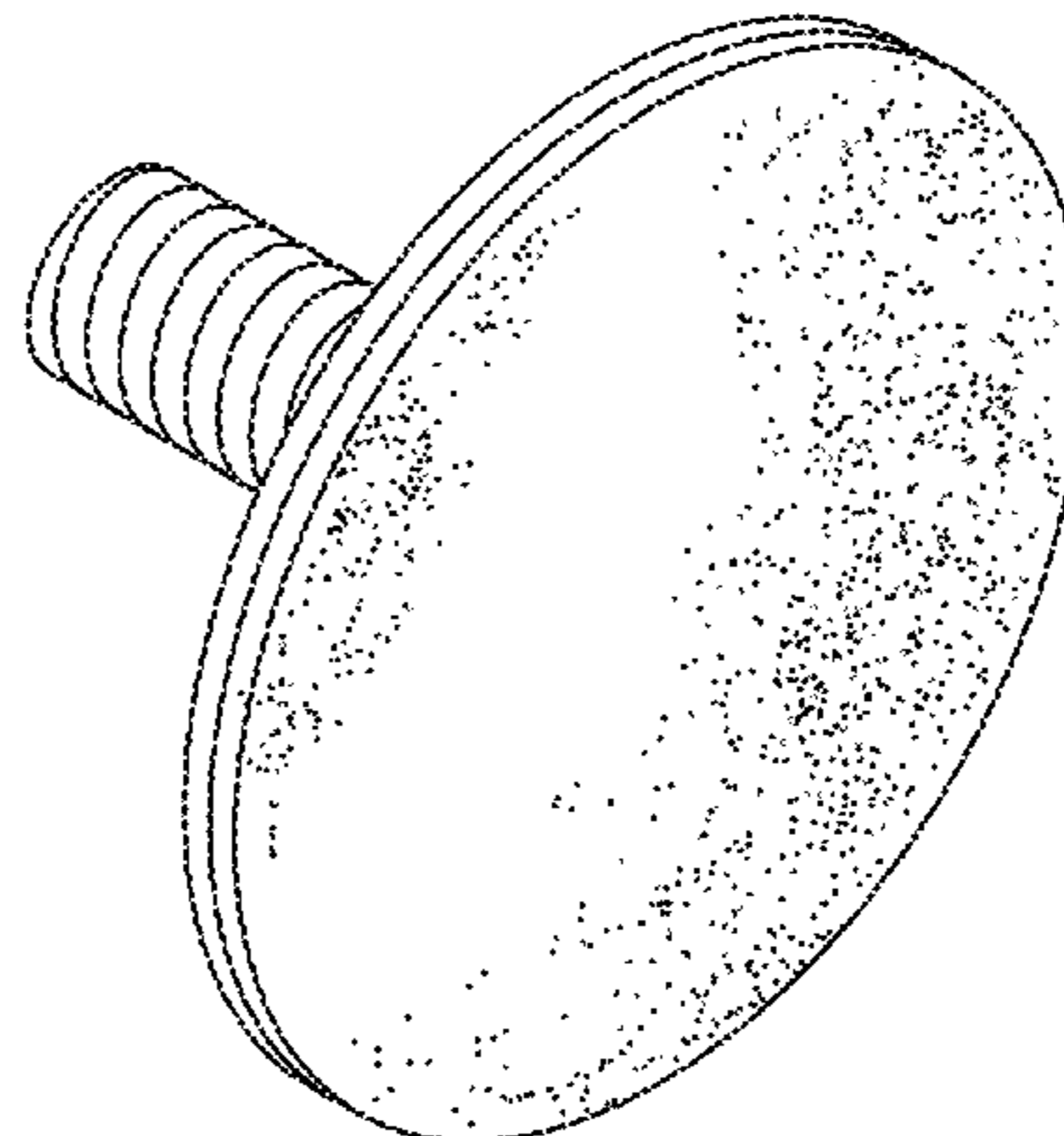
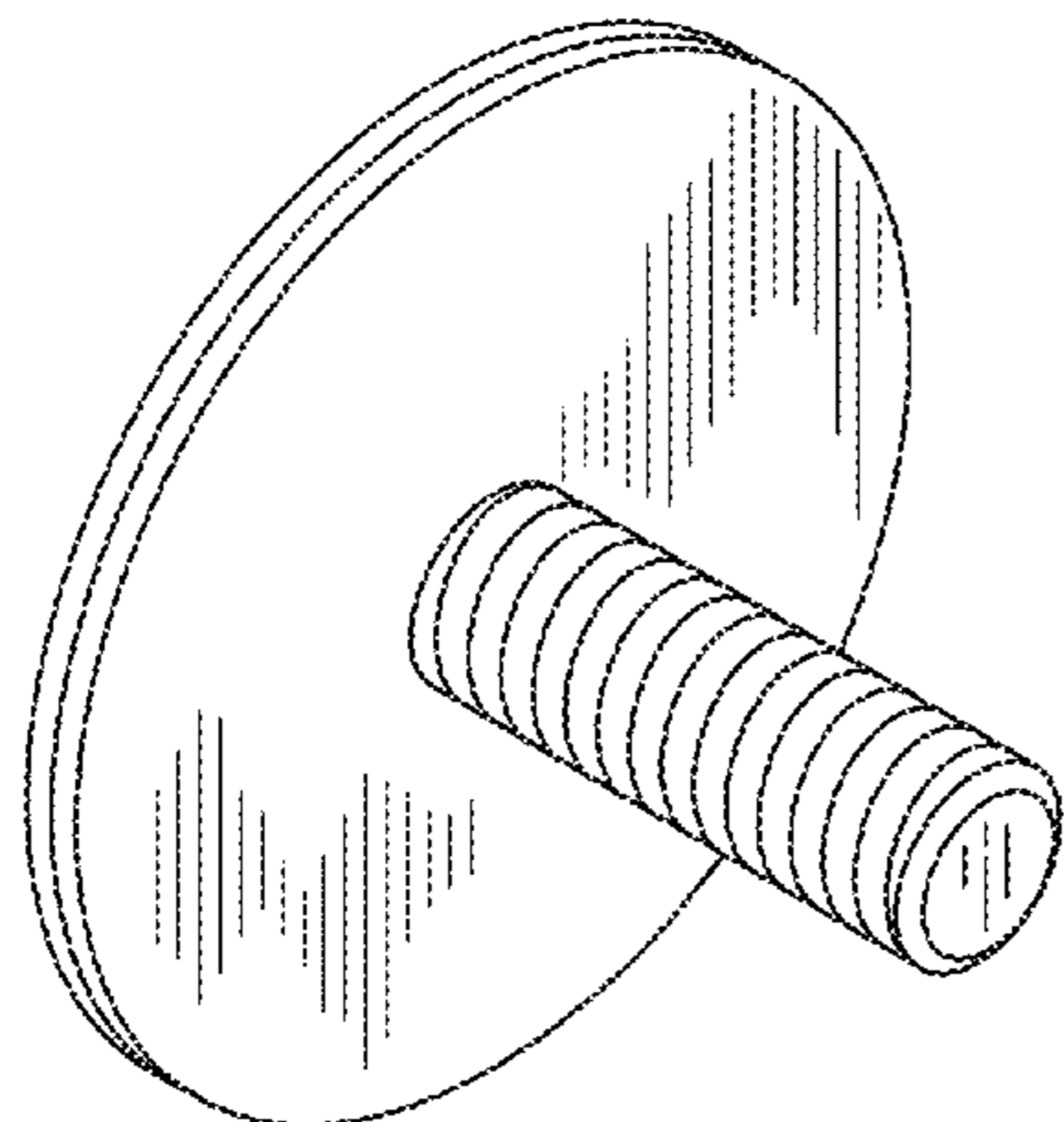
Primary Examiner — Sheryl Lane
Assistant Examiner — Ieisha Price
(74) *Attorney, Agent, or Firm* — Pate Baird, PLLC

- (57) **CLAIM**
The ornamental design for a lightning protection mount, as shown and described.

DESCRIPTION

FIG. 1 is a front perspective view of a lightning protection mount in accordance with the invention; FIG. 2 is a rear perspective view thereof; FIG. 3 is a partially cut away rear perspective view thereof; FIG. 4 is a front elevation view thereof; FIG. 5 is a rear elevation view thereof; FIG. 6 is a top plan view thereof; FIG. 7 is a bottom plan view thereof; FIG. 8 is a left side elevation view thereof; FIG. 9 is a right side elevation view thereof; FIG. 10 is an environmental perspective view the lightning protection mount in accordance with the invention; and, FIG. 11 is an environmental perspective view of the lightning protection mount in accordance with the invention. The broken lines shown in FIGS. 10 and 11 represents the environment of the claimed design and forms no part thereof. The broken lines shown in FIG. 3 illustrate portions of the lightning protection mount which form no part of the claimed design. The stippling shown in FIGS. 2, 3 and 5-11 represents a polymeric material surface.

1 Claim, 4 Drawing Sheets



(56)

References Cited

U.S. PATENT DOCUMENTS

5,050,836 A 9/1991 Makous
 D334,332 S * 3/1993 Massey D8/107
 5,518,440 A * 5/1996 Bone B24B 45/006
 451/342
 D376,713 S * 12/1996 Kelso D6/709.18
 D390,099 S * 2/1998 Bailey D8/387
 D407,012 S * 3/1999 Williams D8/388
 D426,146 S * 6/2000 Bruns D8/387
 D431,176 S * 9/2000 Zarnoti D8/354
 D470,039 S * 2/2003 Pelc D8/382
 D471,400 S * 3/2003 Jeter D7/387
 D604,534 S * 11/2009 Guggenbiller, Jr. D6/710
 D623,868 S * 9/2010 Schiestl D6/323
 D716,636 S * 11/2014 McDonald D8/354
 8,950,055 B2 * 2/2015 Partridge H02G 13/00
 29/525.13
 D726,365 S * 4/2015 Weigensberg D27/101
 D734,133 S * 7/2015 Spindler D8/367
 D737,120 S * 8/2015 Recker D8/354
 D745,369 S * 12/2015 Tungesvick D8/349
 2005/0183261 A1 * 8/2005 Nebesnak E04D 5/142
 29/525.01

2011/0286785 A1 11/2011 Brouwer et al.
 2015/0014015 A1 * 1/2015 Partridge H02G 13/00
 174/3
 2015/0188299 A1 * 7/2015 Partridge H02G 13/00
 29/825

OTHER PUBLICATIONS

<http://www.youtube.com/watch?v=hNgtol3lsQ4>, Sep. 26, 2012.
http://www.uline.com/Grp_240/3M-VHB-Tapes?pricode=WI849&AdKeyword=3m%20vhb%20tape&AdMatchtype=e&gclid=COvctNuh58QCFViUfgodHY8APA&gclsrc=aw.ds, Apr. 8, 2015.
http://www.lightningrodsupply.com/index_files/page0001.htm
 Lightning Rod Parts Equipment, pp. 1-5, Apr. 8, 2015.
<http://www.erico.com/products/LP302.asp> Erico® Eritech® Universal Air Terminal Base LP302 pp. 1-2, Apr. 7, 2015.
<http://www.enrico.com/products/SR000E.asp> Erico® Eritech® System 2000 Lightning Protection System-America pp. 1-2, Apr. 7, 2015.
http://www.kuefler-lightning.com/series800-fasteners.htm?gclid=CKfk_vSk5cQCFY-Tfgod Lightning Protection Copper, Aluminum Cable Straps, Holders for Standing Seam Roofing Series 800-Lightning Protection Conductor Fasteners pp. 1-5, Apr. 7, 2015.

* cited by examiner

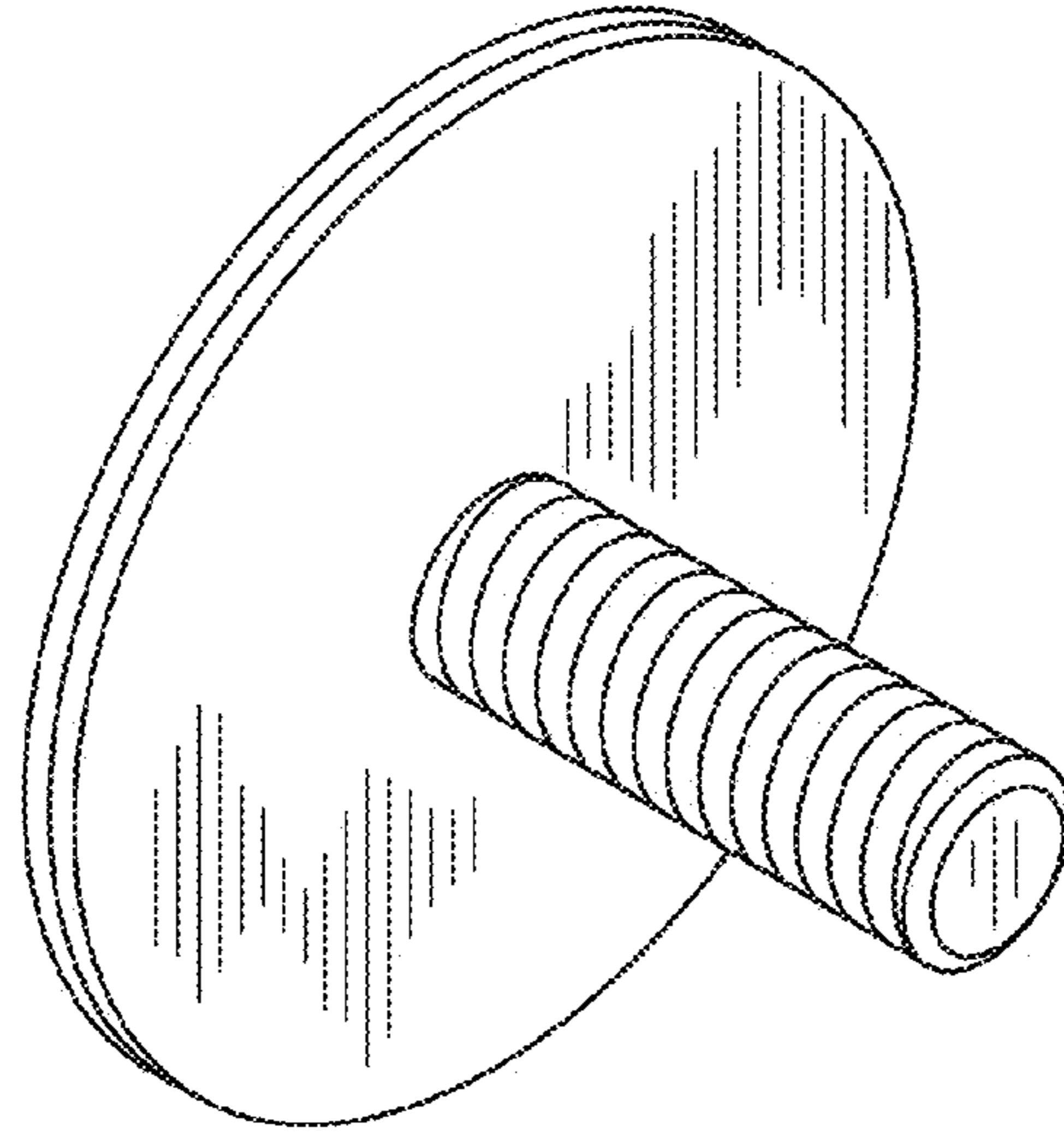


FIG. 1

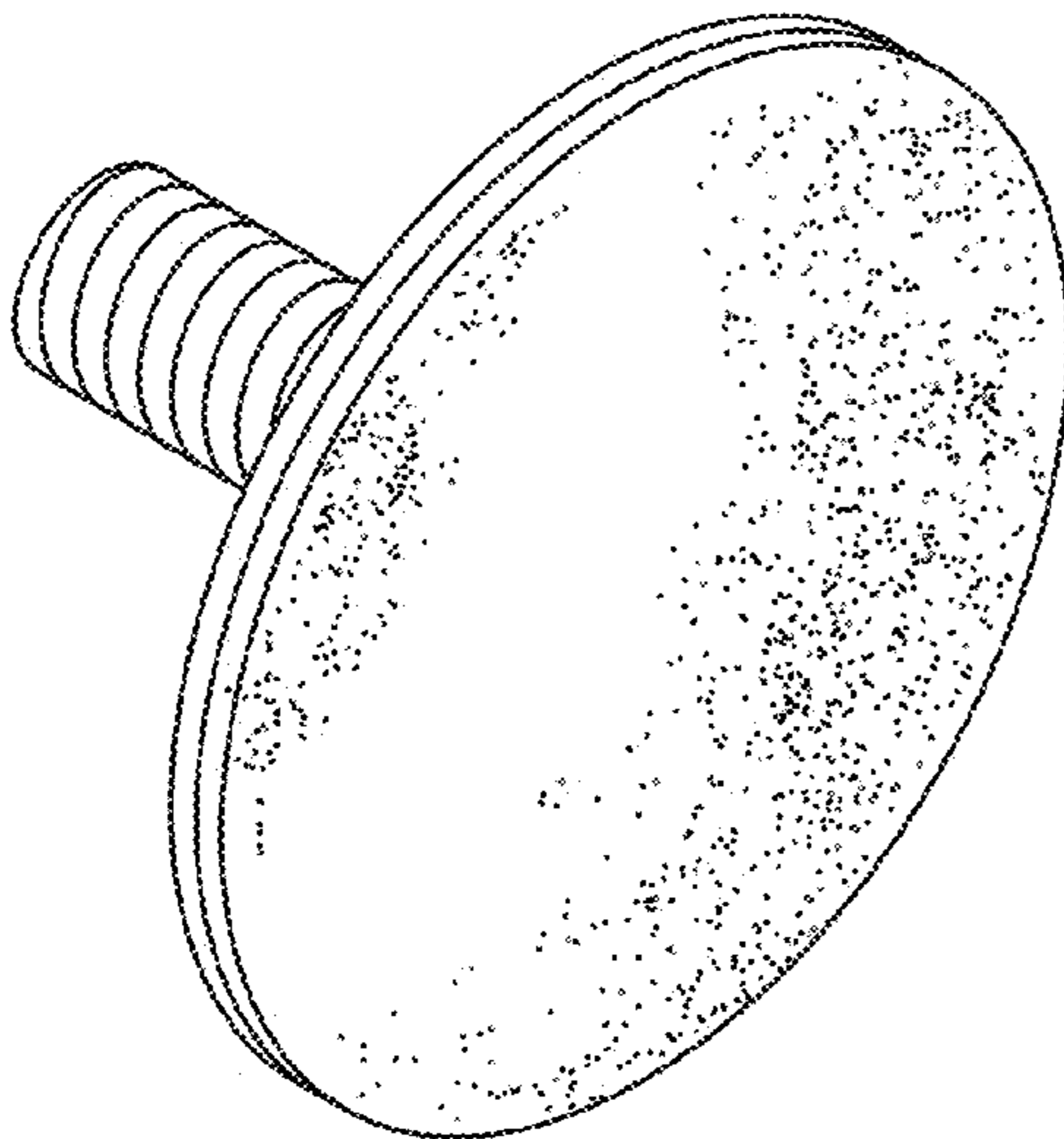


FIG. 2

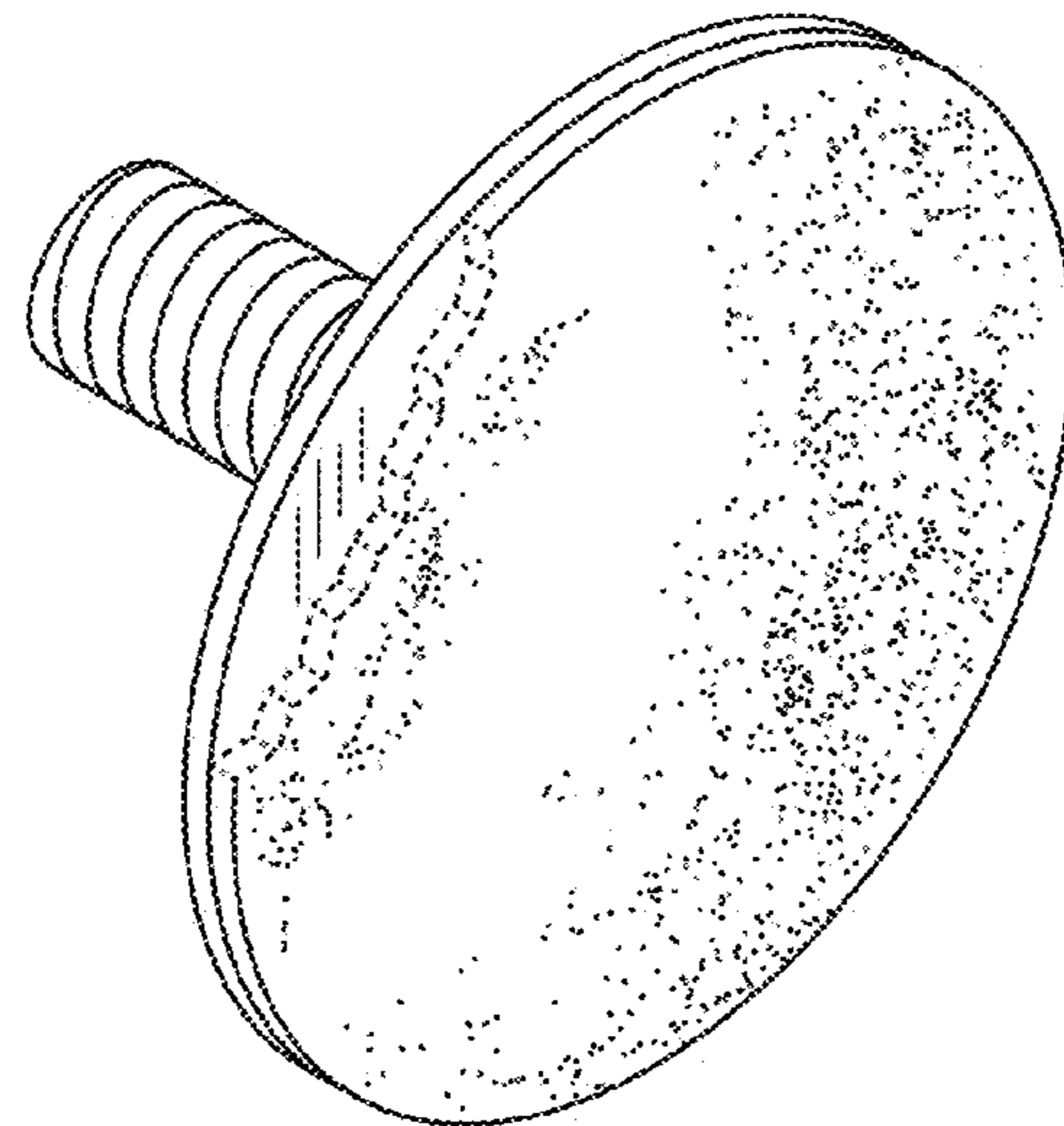


FIG. 3

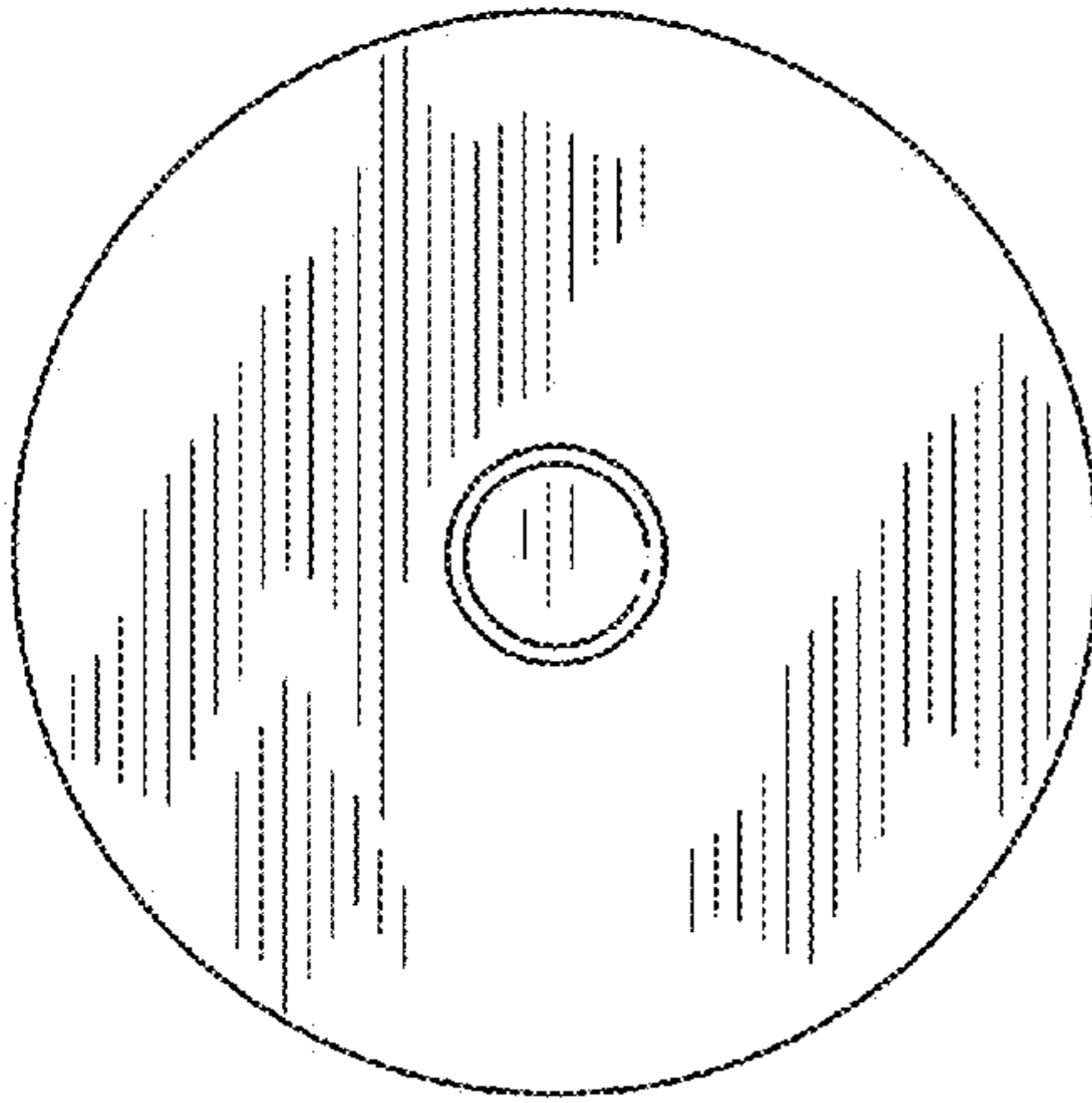


FIG. 4

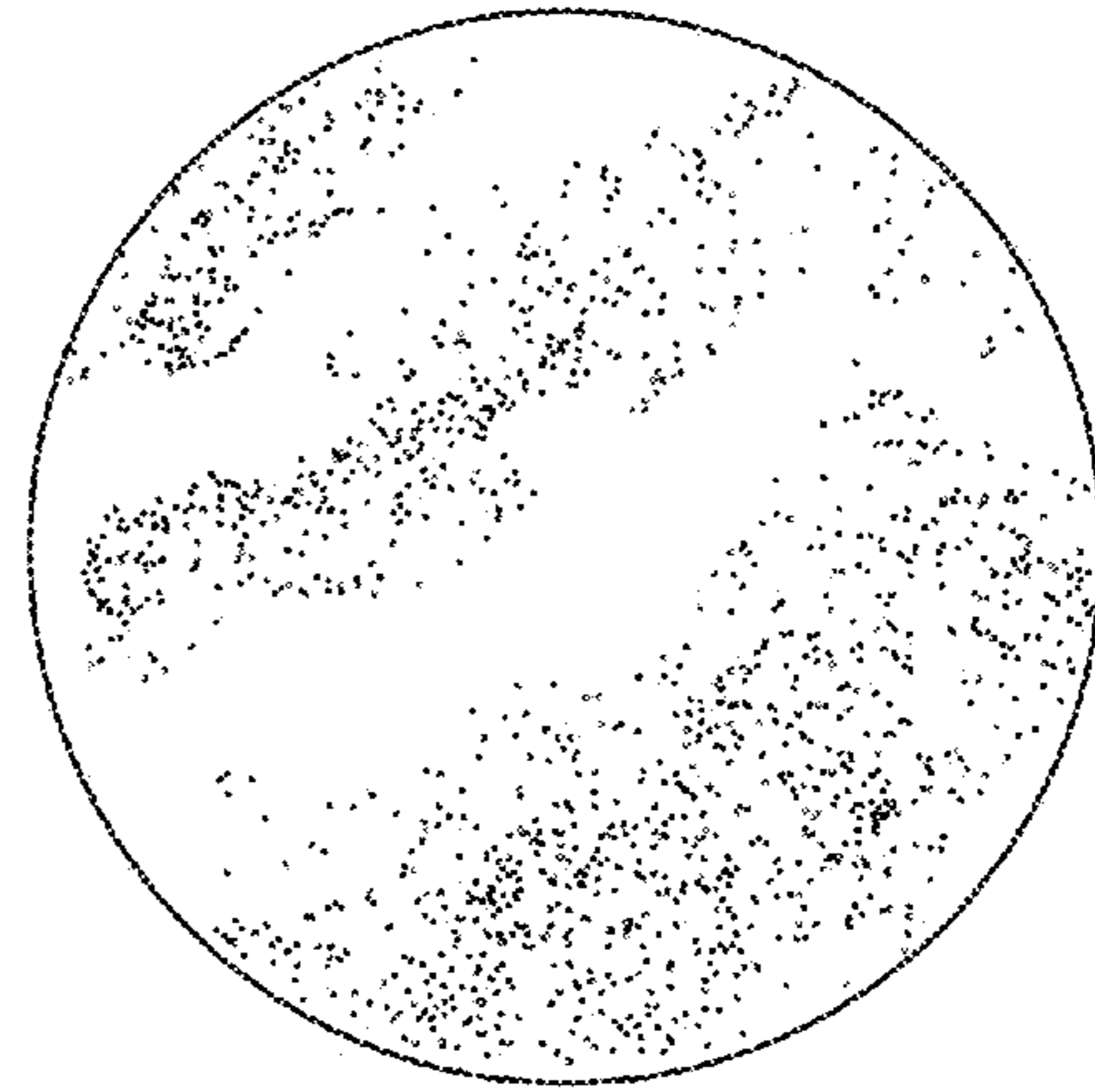


FIG. 5

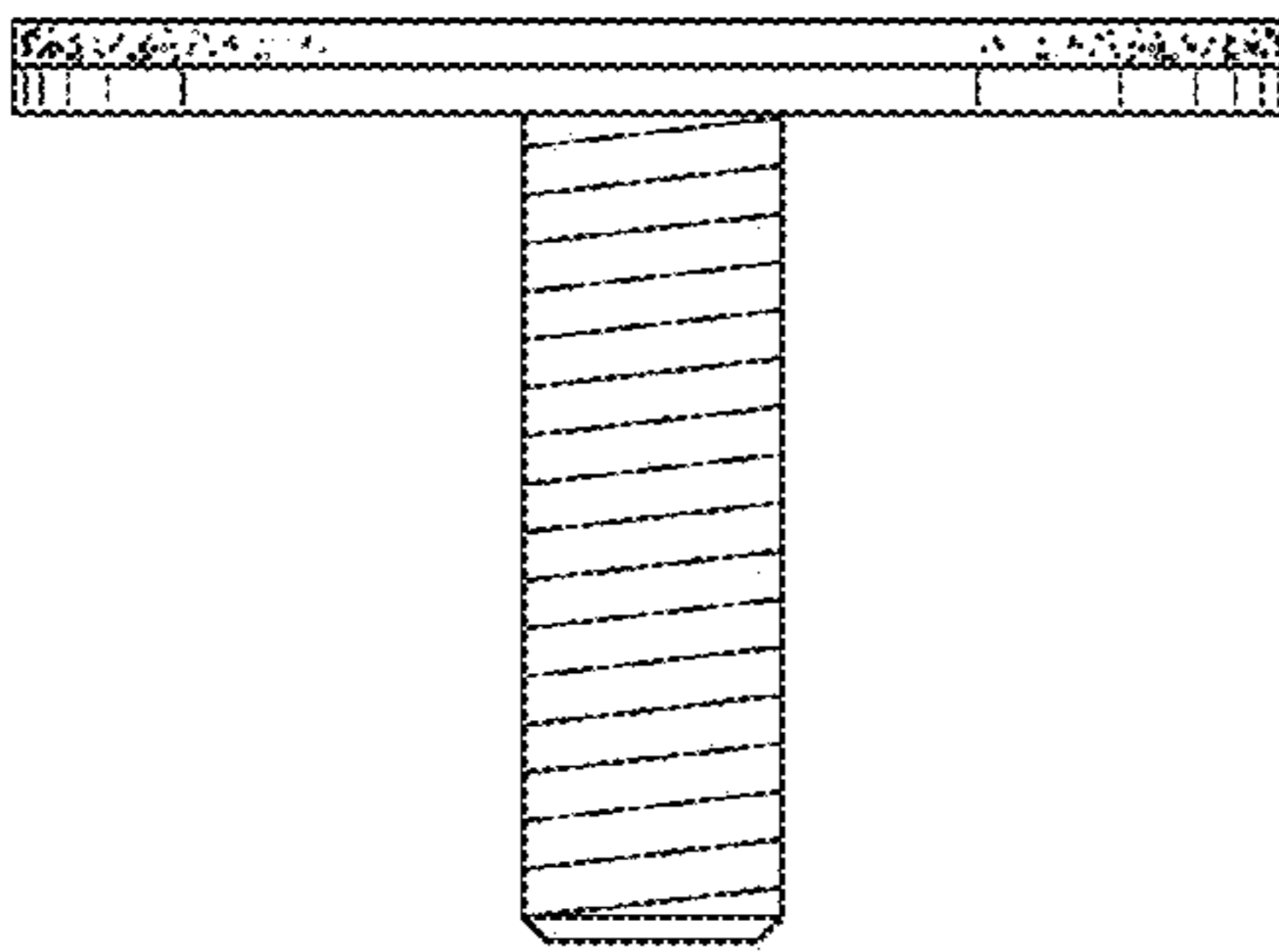


FIG. 6

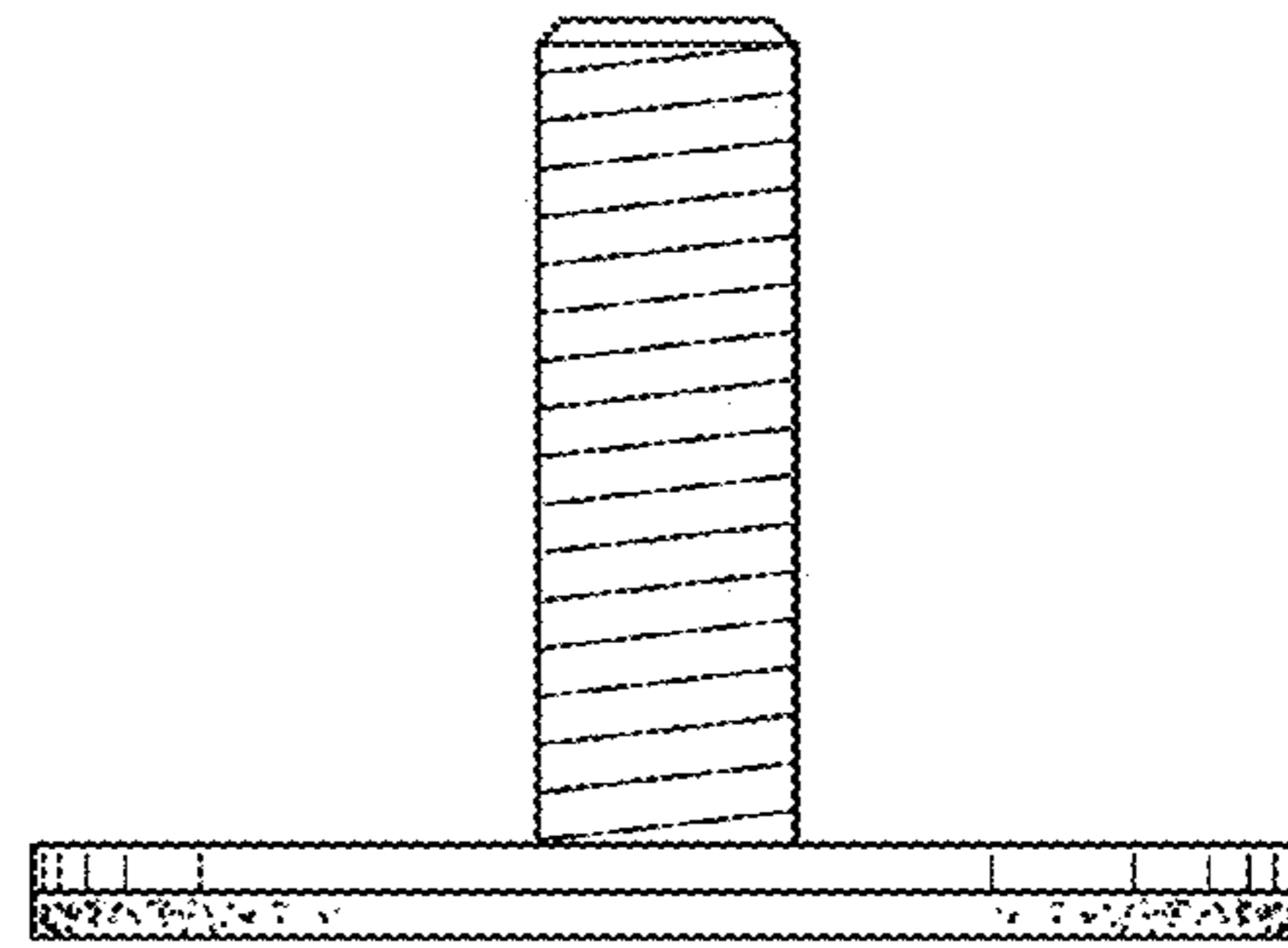


FIG. 7

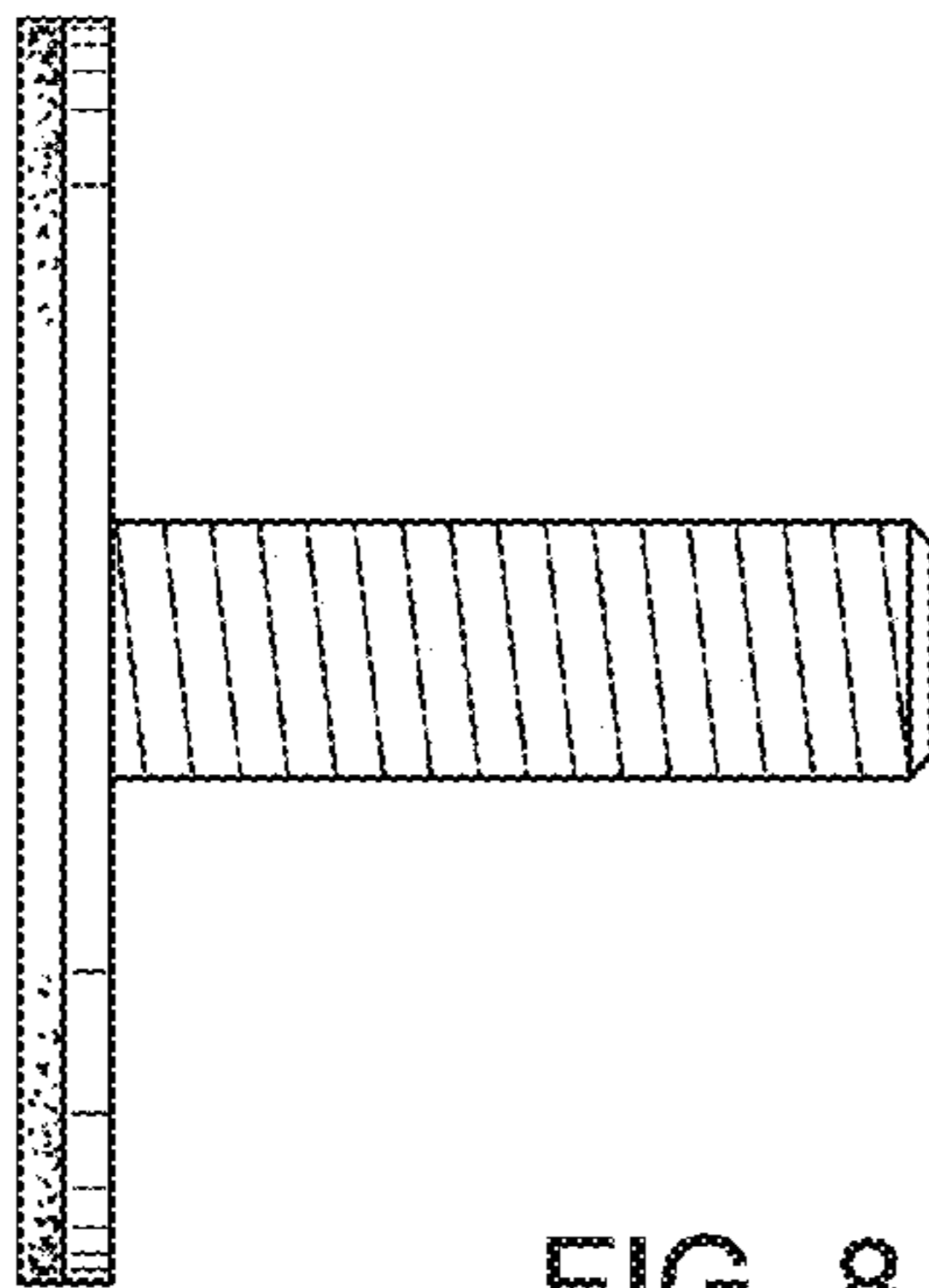


FIG. 8

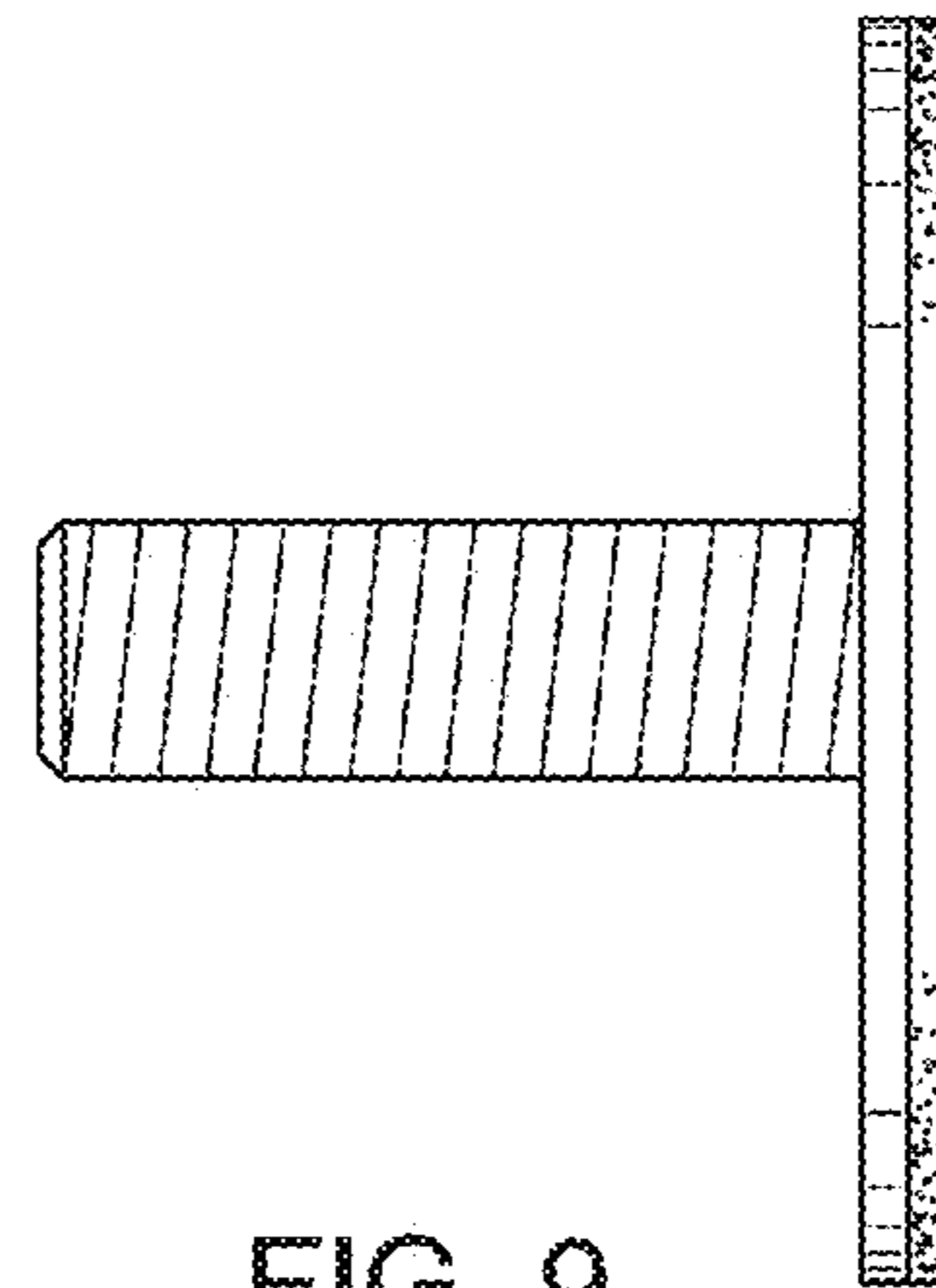


FIG. 9

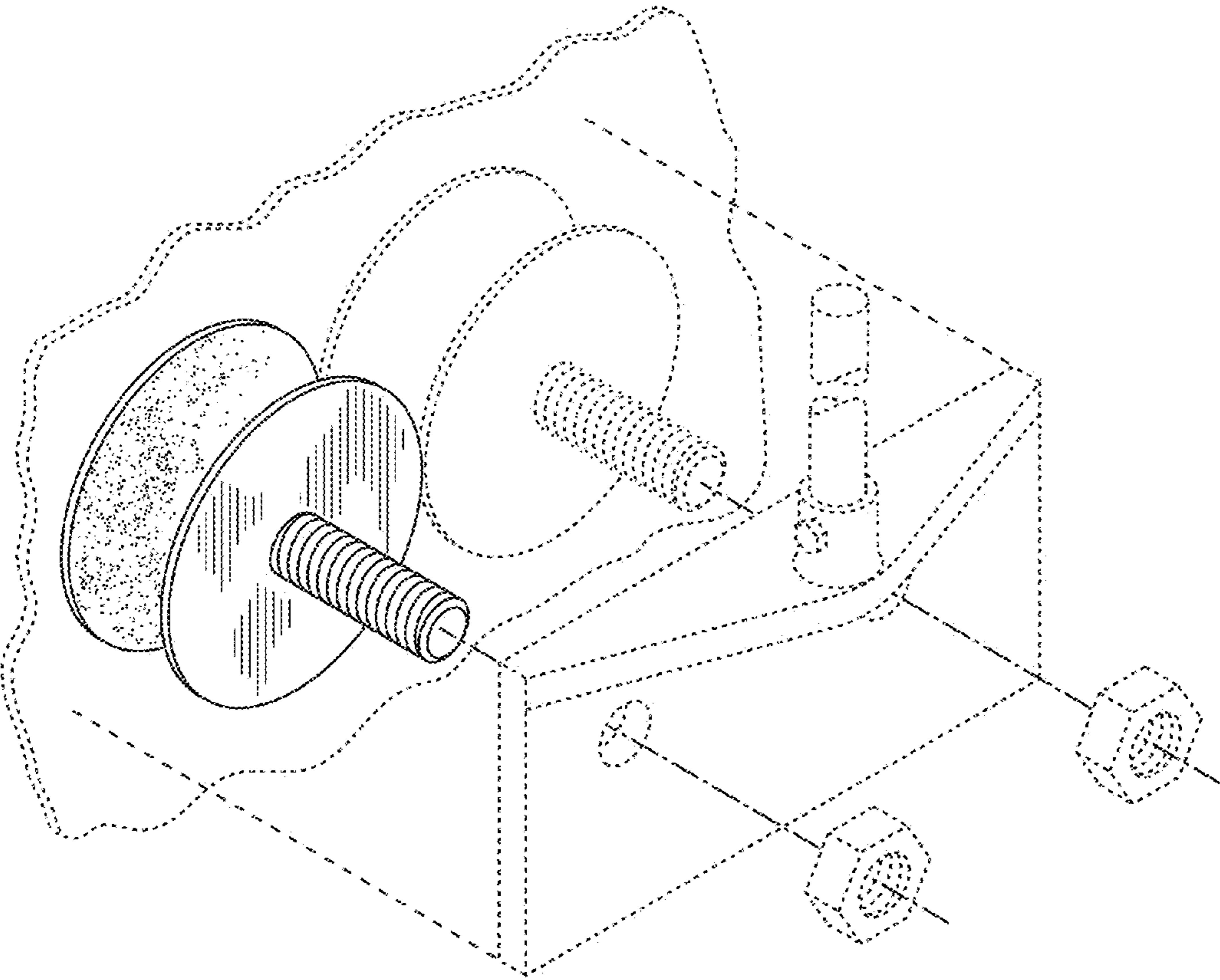


FIG. 10

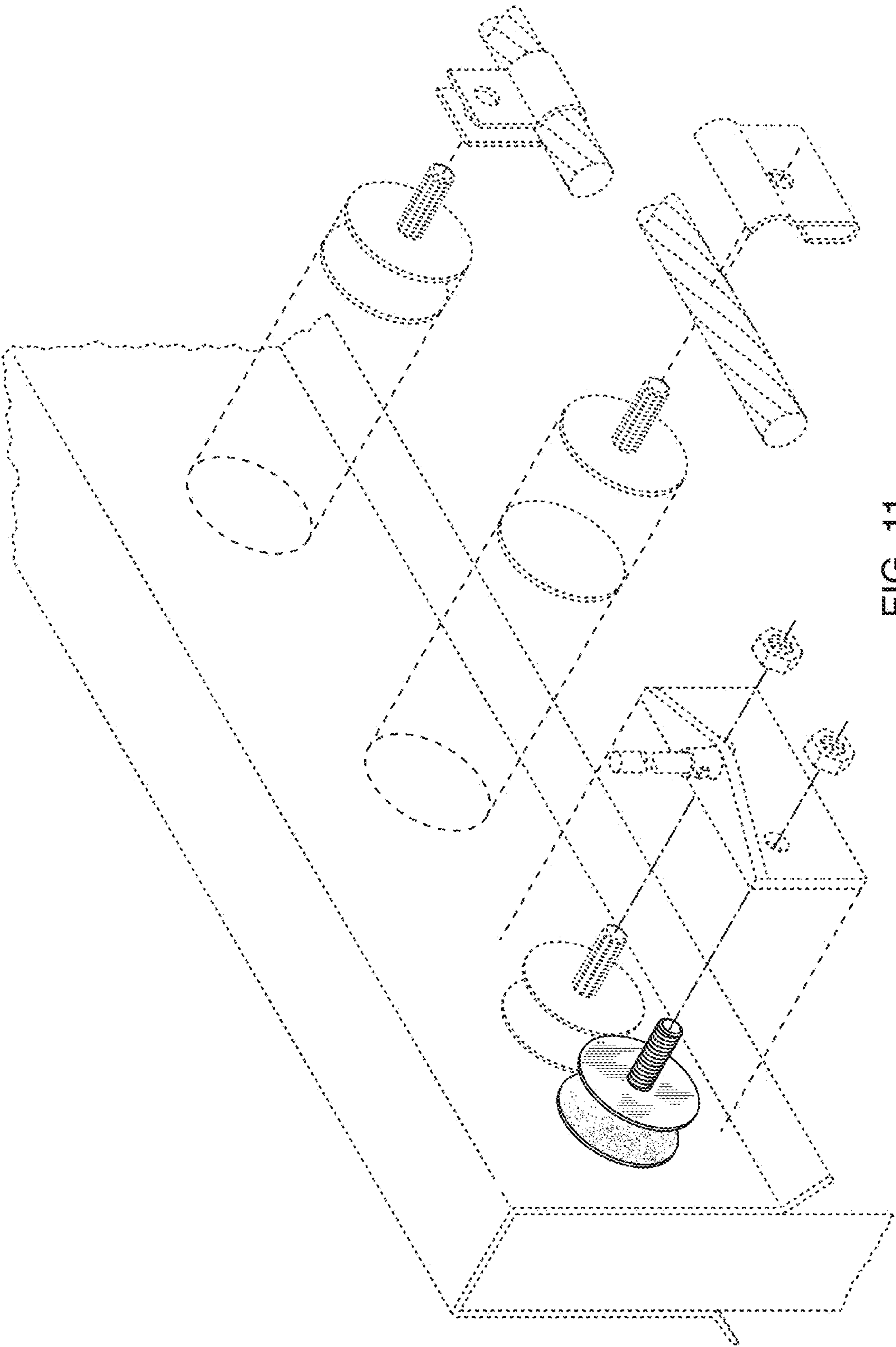


FIG. 11