

US00D764895S

(12) **United States Design Patent** (10) **Patent No.:** **US D764,895 S**
White (45) **Date of Patent:** **** Aug. 30, 2016**

(54) **FRAME FOR SUPPORTING WARNING SIGN ON TAILGATE OF DUMP TRUCK**

(71) Applicant: **Franklin B White**, Ft. Pierce, FL (US)

(72) Inventor: **Franklin B White**, Ft. Pierce, FL (US)

(**) Term: **14 Years**

(21) Appl. No.: **29/505,030**

(22) Filed: **May 1, 2015**

(51) **LOC (10) Cl.** **08-08**

(52) **U.S. Cl.**
USPC **D8/349**; D8/354; D15/28

(58) **Field of Classification Search**
USPC D8/349, 354, 355, 363, 373, 394, 333, D8/300; D15/28, 17; D12/115; 248/161, 248/158, 176, 274, 298, 499, 500, 551, 680, 248/251, 309.1, 309.2, 300, 201, 140; 211/17-24; 24/455; 40/606, 612, 40/607.14, 607.12
CPC G09F 21/04; G09F 21/00; G09F 15/00; G09F 15/02; B60R 9/00; B61F 19/00
See application file for complete search history.

(56) **References Cited**

U.S. PATENT DOCUMENTS

1,443,247 A	1/1923	Wrightman	40/607.11
D241,539 S	9/1976	Iverson	D20/22
4,134,222 A	1/1979	Orsos	40/606.15
4,347,932 A	9/1982	Furutu	206/343
D286,166 S	10/1986	Russell	D20/22
D297,411 S *	8/1988	Angel	D12/223
D305,219 S *	12/1989	Wood	D12/133
D310,018 S *	8/1990	Landrum	D8/367
D321,914 S	11/1991	Tam	D20/43
D330,523 S	10/1992	Killion	D10/119.2
D332,212 S *	1/1993	Mitchell	D6/513
D337,912 S *	8/1993	Silverberg	D6/567
D342,011 S *	12/1993	Maguire	D8/349
D344,764 S	3/1994	Tam	D20/43
D353,627 S	12/1994	McCormick	D20/43

D376,093 S *	12/1996	Whitaker	D8/349
D393,045 S	3/1998	Hsu	D20/43
5,906,064 A	5/1999	Field	40/606
D416,290 S	11/1999	Poelvoorde et al.	D20/43
D425,133 S	5/2000	Ueno	D20/43
6,101,750 A	8/2000	Blesener et al.	40/448
6,119,384 A	9/2000	Fischer	40/606
6,237,268 B1	5/2001	Levin	40/606
6,237,883 B1	5/2001	Levin et al.	248/176.1
6,378,232 B1	4/2002	Creech	40/611
6,378,818 B1	4/2002	Padiak et al.	248/201
6,430,855 B1	8/2002	Gertz et al.	40/607
6,463,687 B1	10/2002	Dorstewitz	40/610
6,560,906 B1	5/2003	Hillstrom	40/606

(Continued)

OTHER PUBLICATIONS

Newman traffic signs mounting hardware, 2008, 1 page http://www.newmansigns.com/traffic_signs/accessories.php.

(Continued)

Primary Examiner — Mark Goodwin
(74) *Attorney, Agent, or Firm* — David A. Burge

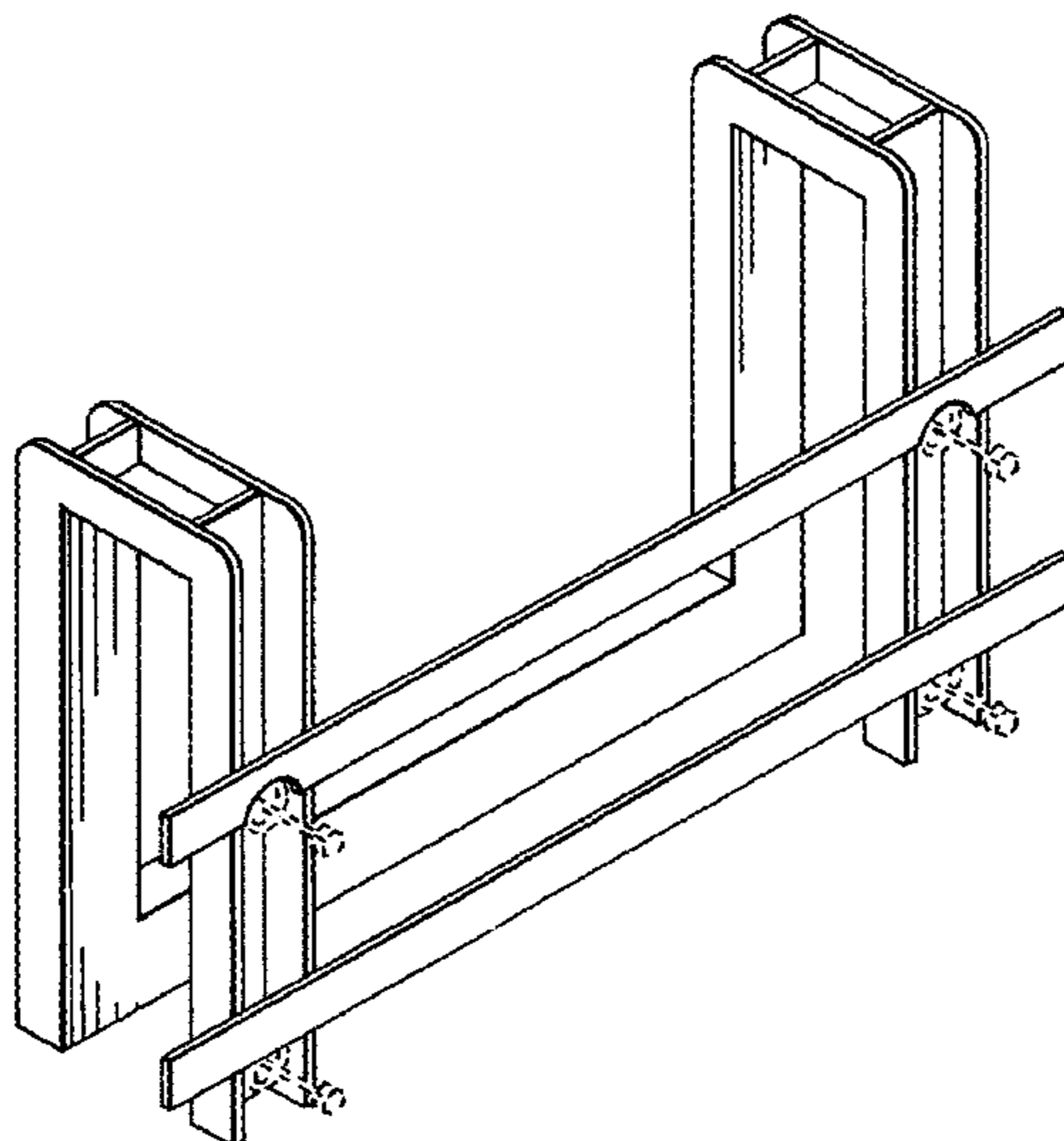
(57) **CLAIM**

I claim the ornamental design for frame for supporting warning sign on tailgate of dump truck, as shown and described.

DESCRIPTION

FIG. 1 is a perspective view of a frame for supporting warning sign on tailgate of dump truck showing my new design;
FIG. 2 is a front elevational view thereof;
FIG. 3 is a left side elevational view thereof, a right side elevational view being a mirror image hereof;
FIG. 4 is a rear elevational view thereof;
FIG. 5 is a top plan view thereof; and,
FIG. 6 is a bottom plan view thereof.
The broken lines indicate unclaimed subject matter and form no part of the claimed design.

1 Claim, 3 Drawing Sheets



(56)

References Cited

U.S. PATENT DOCUMENTS

6,622,409 B2 9/2003 Dorstewitz 40/610
 6,625,912 B2 9/2003 Dicke et al. 40/610
 6,685,156 B2 2/2004 Dicke et al. 248/624
 6,734,792 B1 5/2004 McElveen 340/468
 6,750,829 B2 6/2004 Luoma et al. 345/1.1
 6,755,381 B1 6/2004 Levin et al. 248/163.1
 6,792,708 B2 9/2004 Dicke et al. 40/610
 6,793,191 B1 9/2004 Williams et al. 248/624
 D507,352 S 7/2005 Vanderbrugghen D25/42
 D508,572 S 8/2005 Suggate D25/134
 7,069,680 B1* 7/2006 Crawford G09F 7/18
 24/502
 7,171,773 B2 2/2007 Haggard, Jr. 40/591
 D547,462 S 7/2007 Petta et al. D25/122
 7,458,554 B1 12/2008 Levin et al. 248/408
 7,503,135 B2 3/2009 Chafin 40/591
 D623,697 S 9/2010 Makhija et al. D20/41
 D627,630 S 11/2010 Sandinge D8/380
 D631,734 S 2/2011 Fernandez et al. D8/380
 D638,694 S 5/2011 Misch D8/380
 7,997,547 B1 8/2011 Maus 248/219.3
 D650,126 S 12/2011 Kong et al. D26/138
 D665,656 S 8/2012 Anzeimo D8/380
 D669,135 S 10/2012 Garfinkle D20/43
 D692,498 S 10/2013 Valls et al. D20/43
 D695,592 S* 12/2013 White D8/354
 D701,107 S 3/2014 White D8/354
 D703,029 S 4/2014 Fox D8/373
 D707,545 S 6/2014 Schopf D8/394
 D713,463 S 9/2014 Dougherty et al. D20/43
 D727,138 S 4/2015 Cross D8/382
 D730,719 S 6/2015 Sundberg D8/354
 D730,724 S 6/2015 Brown D8/380

D732,380 S 6/2015 Chou D8/383
 2002/0174582 A1 11/2002 Garfinkle et al. 40/606
 2003/0164436 A1* 9/2003 Rooker G09F 21/04
 248/441.1
 2005/0269466 A1 12/2005 Conway et al. 248/222.14
 2006/0191180 A1* 8/2006 Williams G09F 21/04
 40/591
 2008/0178506 A1 7/2008 Garfinkle 40/658
 2008/0307684 A1* 12/2008 Ulloa G09F 7/18
 40/607.1
 2009/0289161 A1 11/2009 Nuttman 248/229.1
 2010/0012811 A1 1/2010 MacKenzie et al. 248/423
 2011/0010974 A1* 1/2011 White E01F 9/692
 40/606.02
 2011/0047845 A1 3/2011 Barile 40/658
 2011/0214321 A1 9/2011 White 40/606.01
 2012/0001051 A1 1/2012 Williams 248/519
 2012/0204454 A1* 8/2012 Larsen G09F 21/04
 40/591

OTHER PUBLICATIONS

Western Safety Products Sign Mounting Hardware & Posts, 2015, 2 Pages <http://www.westernsafety.com/products/safewaysigns/safewaysignpg4.html>.
 Safetysign.com website 180 Degree U-Channel Post Bkt , 2015, 1 page <http://www.safetysign.com/products/p8863/street-name-bracket>.
 Grimco Inc. U Channel Post Bracket Heavy Duty St. Sign, 2015, 1 page <http://www.grimco.com/Products.aspx?cid+0073&pid=00318&sid-BA180F>.
 Traffic Sign Source website 180X U-channel Post Bkt, 2015, 1 page <http://www.trafficsignsource.com/signhardware.htm>.

* cited by examiner

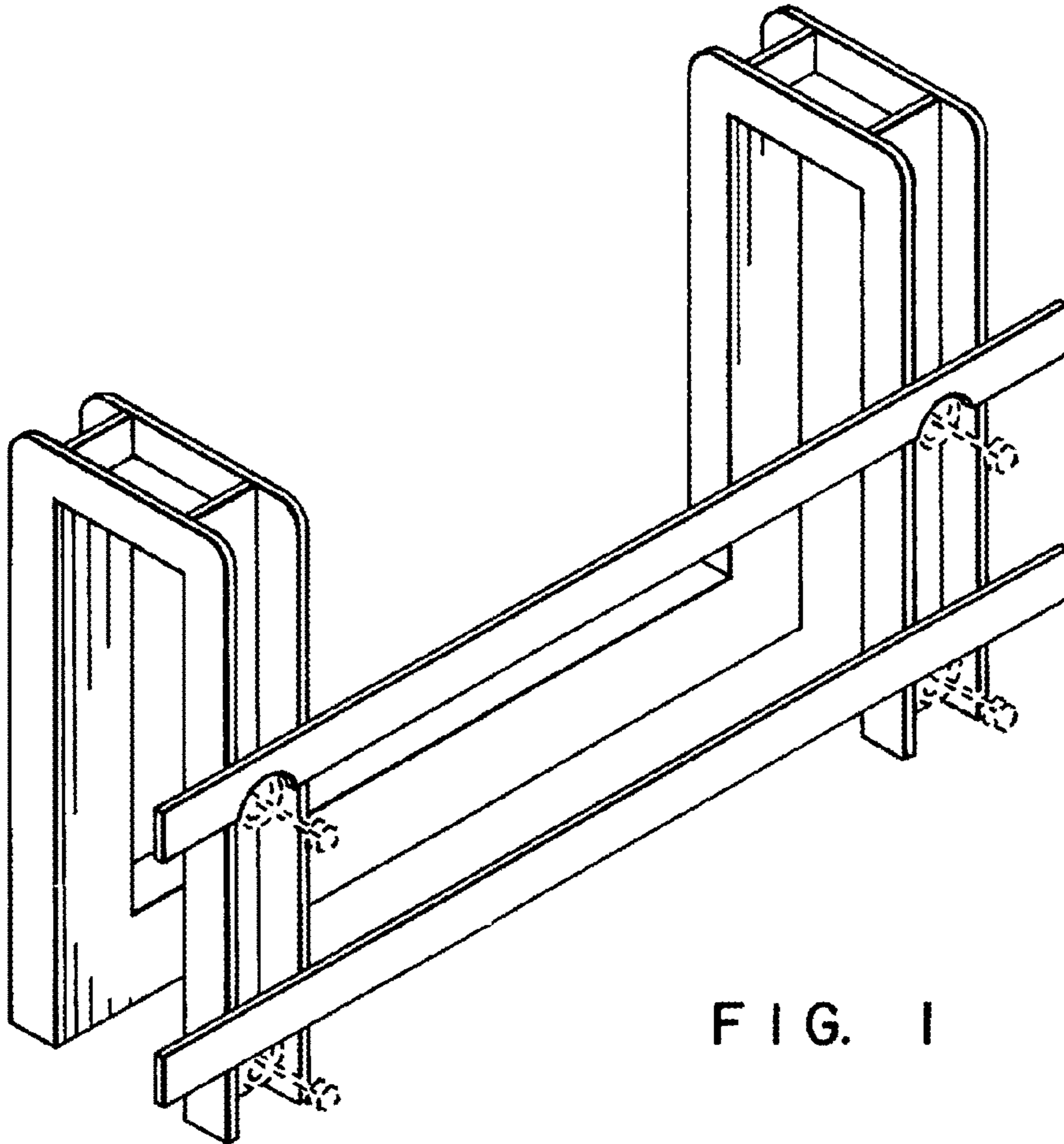


FIG. 1

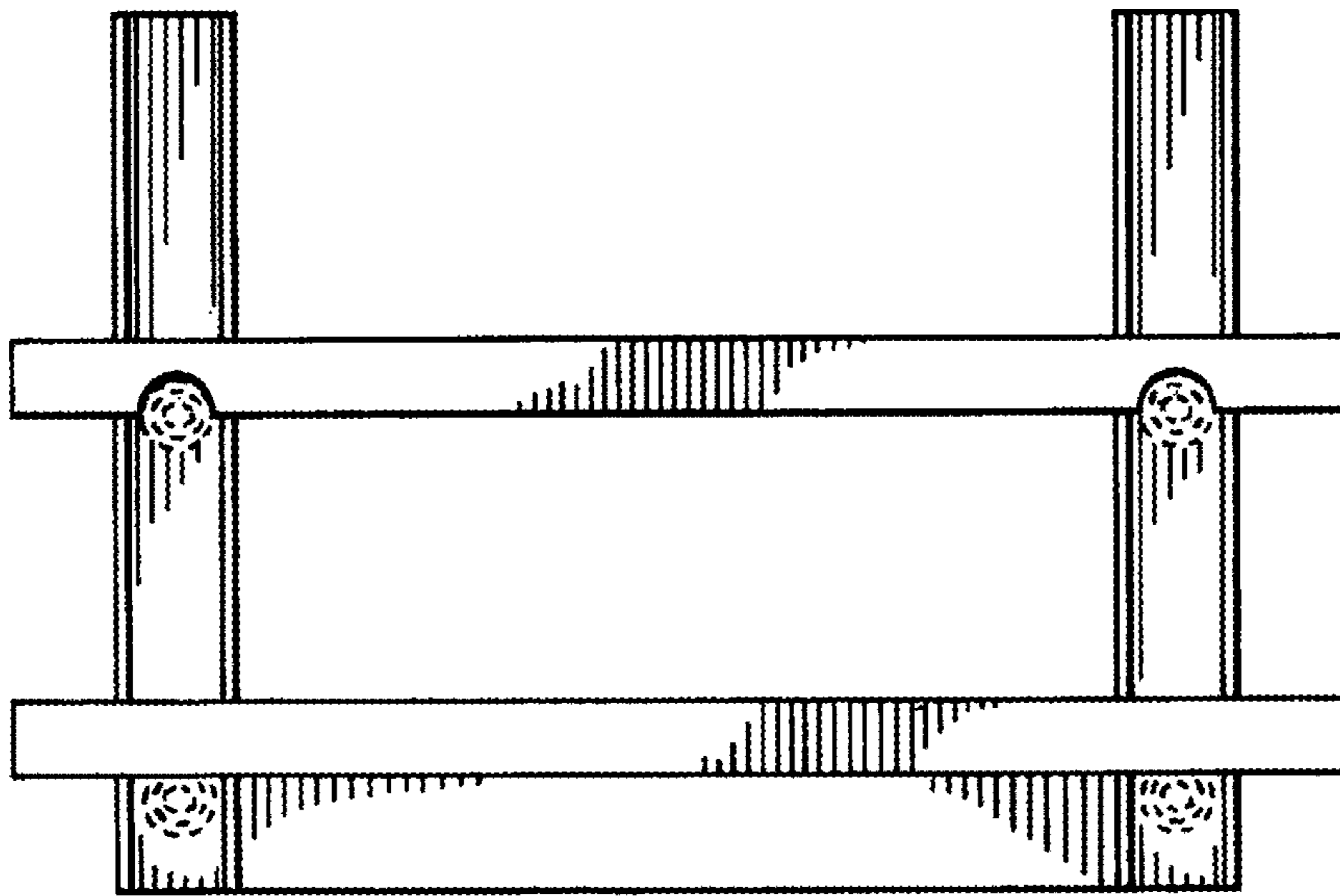


FIG. 2

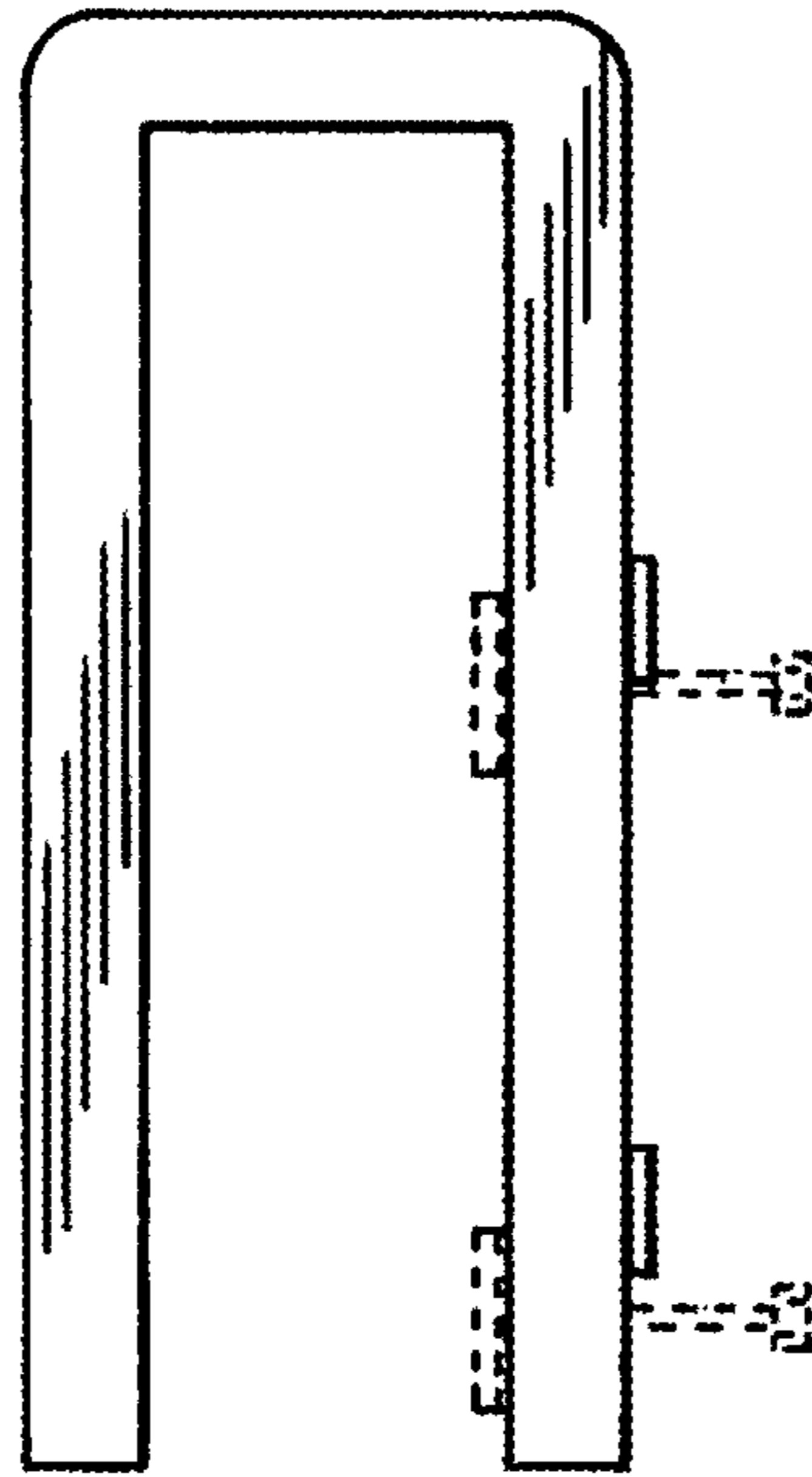


FIG. 3

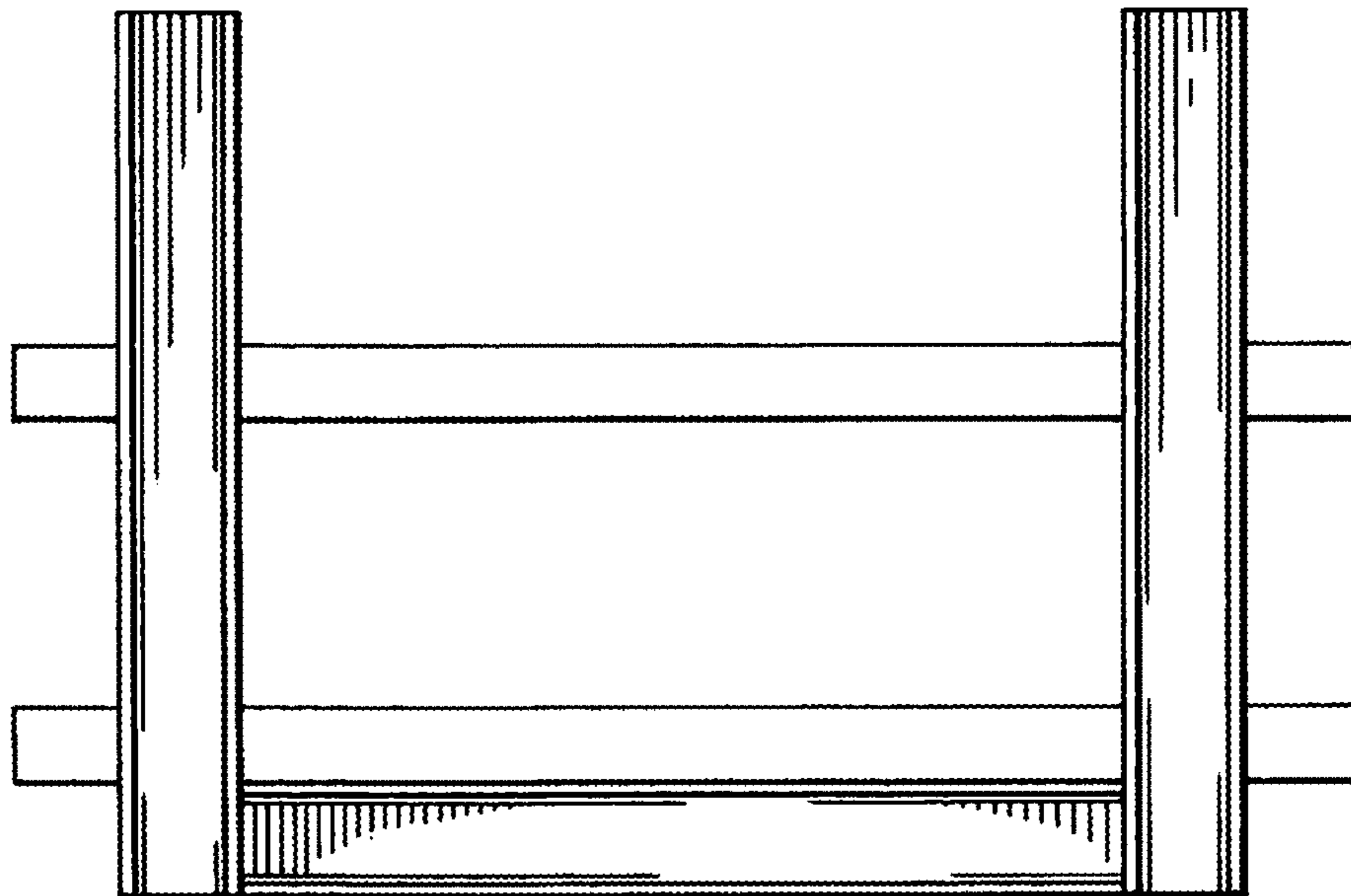


FIG. 4

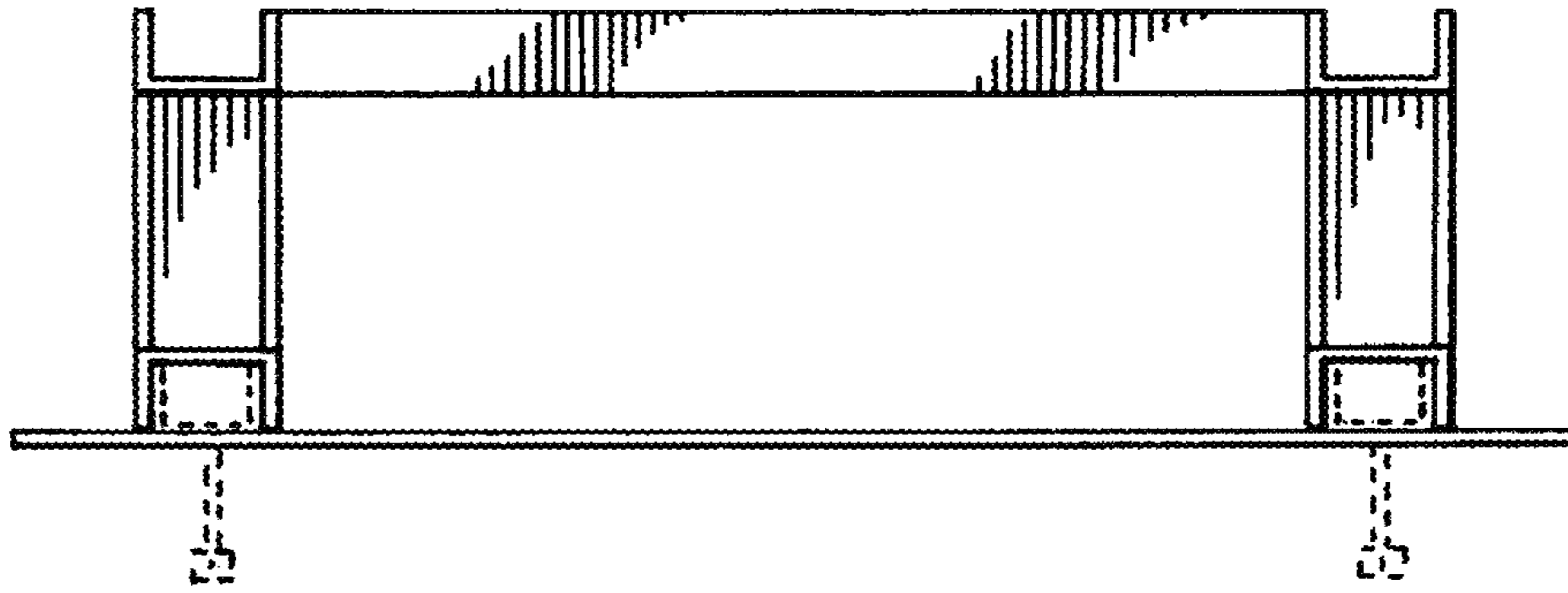


FIG. 5

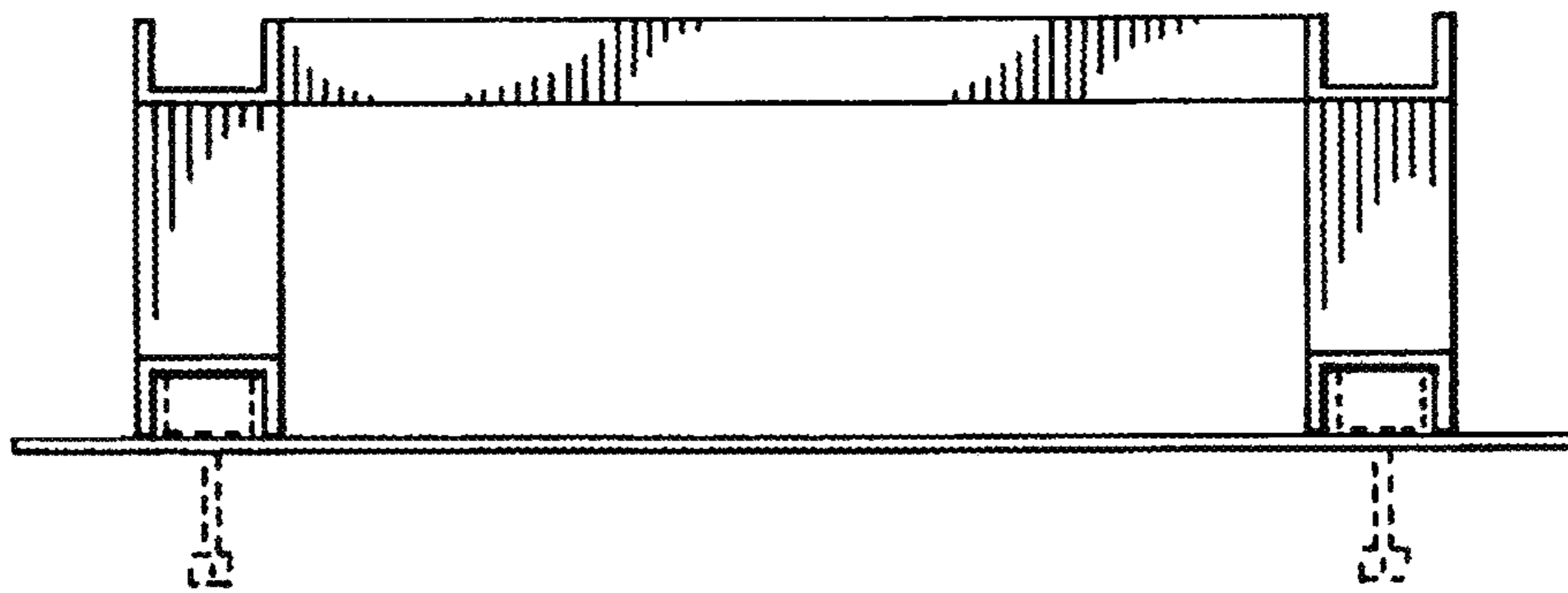


FIG. 6