



US00D764894S

(12) **United States Design Patent**  
**Pernu et al.**

(10) **Patent No.:** **US D764,894 S**

(45) **Date of Patent:** **\*\* Aug. 30, 2016**

(54) **INSTRUMENT MOUNT**

(71) Applicant: **Suunto Oy**, Vantaa (FI)

(72) Inventors: **Kimmo Pernu**, Espoo (FI); **Tapio Selby**, Tolkkinen (FI); **Timo Yliluoma**, Helsinki (FI); **Ossi Lehtinen**, Espoo (FI)

(73) Assignee: **Suunto Oy**, Vantaa (FI)

(\*\*) Term: **14 Years**

(21) Appl. No.: **29/495,635**

(22) Filed: **Jul. 2, 2014**

(51) **LOC (10) Cl.** ..... **08-08**

(52) **U.S. Cl.**  
USPC ..... **D8/349**

(58) **Field of Classification Search**  
USPC ..... D8/349, 354, 356, 382; D11/220, 226, D11/218; 24/3.12, 3.13, 459  
CPC ... A45F 5/02; Y10T 24/44017; Y10T 24/23; Y10T 24/40034; Y10T 24/1394; Y10T 24/3698; Y10T 24/44128  
See application file for complete search history.

(56) **References Cited**

U.S. PATENT DOCUMENTS

1,056,020 A \* 3/1913 Graham ..... A41F 11/02  
24/327

1,399,730 A \* 12/1921 Seikichi ..... A41F 19/005  
24/114.12

4,175,305 A \* 11/1979 Gillis ..... E04H 15/32  
135/119

5,033,170 A \* 7/1991 Ewert ..... A41F 1/00  
24/459

5,046,222 A \* 9/1991 Byers ..... D06F 55/00  
24/343

D329,192 S \* 9/1992 Susac ..... D8/349

5,557,830 A \* 9/1996 Davis ..... A44B 99/00  
24/113 MP

5,655,271 A \* 8/1997 Maxwell-Trumble . A44C 3/001  
24/113 MP

D397,984 S \* 9/1998 Pingel ..... D12/217

D416,789 S \* 11/1999 Pernu ..... D8/395

6,449,810 B1 \* 9/2002 Kuwayama ..... A44C 11/005  
24/115 G

6,543,094 B2 \* 4/2003 D'Addario ..... F16L 3/233  
24/16 PB

6,718,600 B1 \* 4/2004 Gillis ..... E04H 15/64  
135/119

D603,521 S \* 11/2009 Lindberg ..... D24/187

D609,552 S \* 2/2010 Anderson ..... D8/349

7,784,158 B2 \* 8/2010 Doyle ..... A45F 5/02  
24/114.12

7,832,606 B2 \* 11/2010 Sin ..... A45F 5/02  
224/197

D635,008 S \* 3/2011 Virgin ..... D8/349

D658,972 S \* 5/2012 Virgin ..... D8/349

D667,127 S \* 9/2012 Lindberg ..... D24/187

8,327,510 B2 \* 12/2012 Schlesinger ..... A41F 17/02  
2/269

D676,137 S \* 2/2013 Lindberg ..... D24/187

8,544,805 B2 \* 10/2013 Virgin ..... G06F 1/1632  
248/205.3

D700,502 S \* 3/2014 Smith ..... D8/349

D700,864 S \* 3/2014 Pernu ..... D11/220

D701,140 S \* 3/2014 Pernu ..... D11/220

D739,942 S \* 9/2015 Pernu ..... D24/167

D739,943 S \* 9/2015 Pernu ..... D24/167

D739,944 S \* 9/2015 Pernu ..... D24/167

9,345,433 B1 \* 5/2016 Shinozuka ..... A61B 5/6804

2005/0227533 A1 \* 10/2005 Gartrell ..... H04B 1/3888  
439/527

2008/0047110 A1 \* 2/2008 Doyle ..... A45F 5/02  
24/3.12

2011/0297578 A1 \* 12/2011 Stiehl ..... B29C 45/1676  
206/701

2012/0081852 A1 \* 4/2012 Maravilla ..... A45F 5/00  
361/679.03

\* cited by examiner

*Primary Examiner* — Mark Goodwin

(74) *Attorney, Agent, or Firm* — Terence P. O'Brien

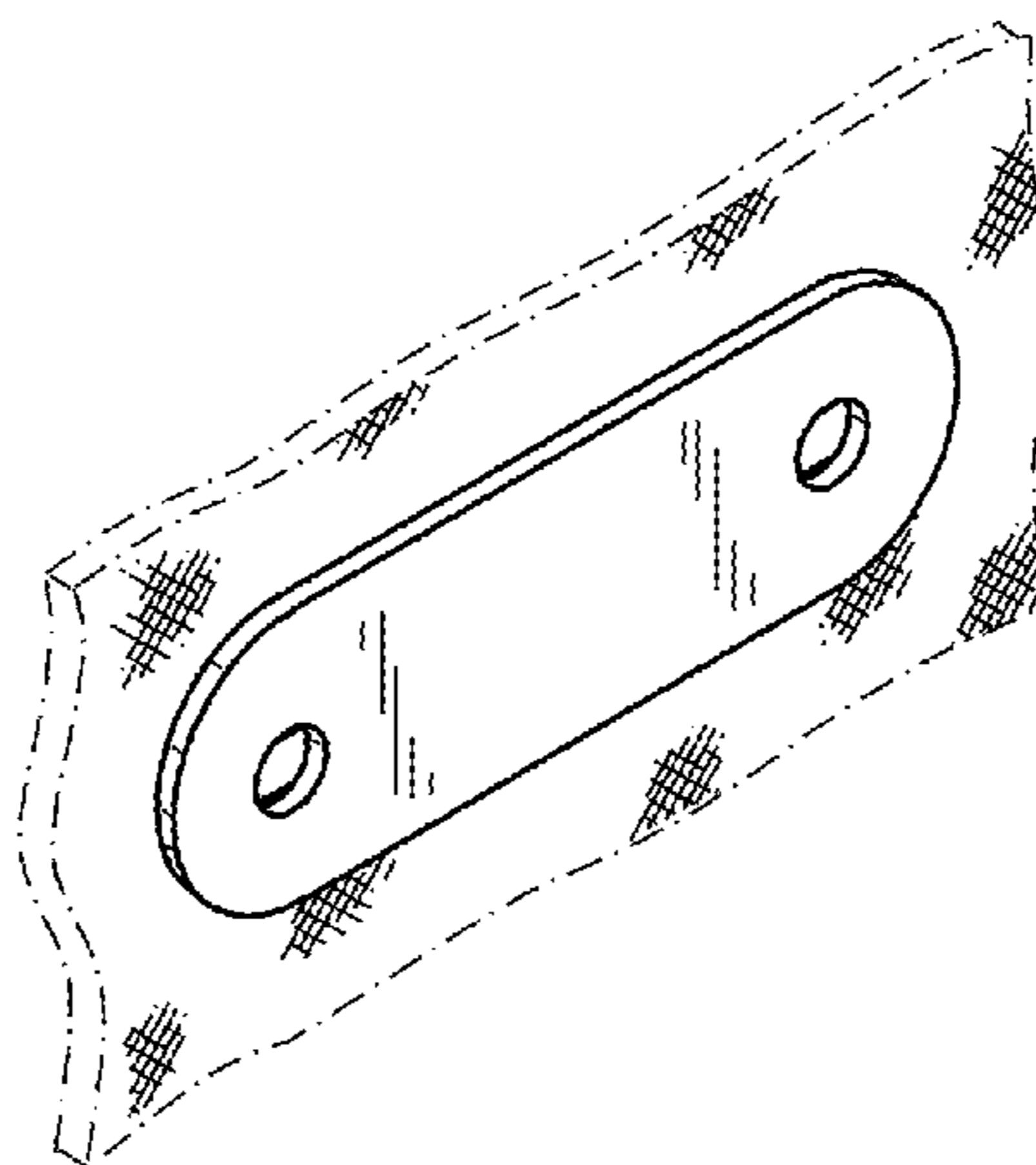
(57) **CLAIM**

We claim the ornamental design for an instrument mount, as shown and described.

**DESCRIPTION**

FIG. 1 is a front view of an instrument mount;  
FIG. 2 is a rear view of the instrument mount of FIG. 1;  
FIG. 3 is a front top perspective view of the instrument mount of FIG. 1;  
FIG. 4 is a rear top perspective view of the instrument mount of FIG. 1; and,  
FIG. 5 is a top view of the instrument mount of FIG. 1.  
The ornamental design that is claimed is shown in solid lines in the drawings.

**1 Claim, 2 Drawing Sheets**



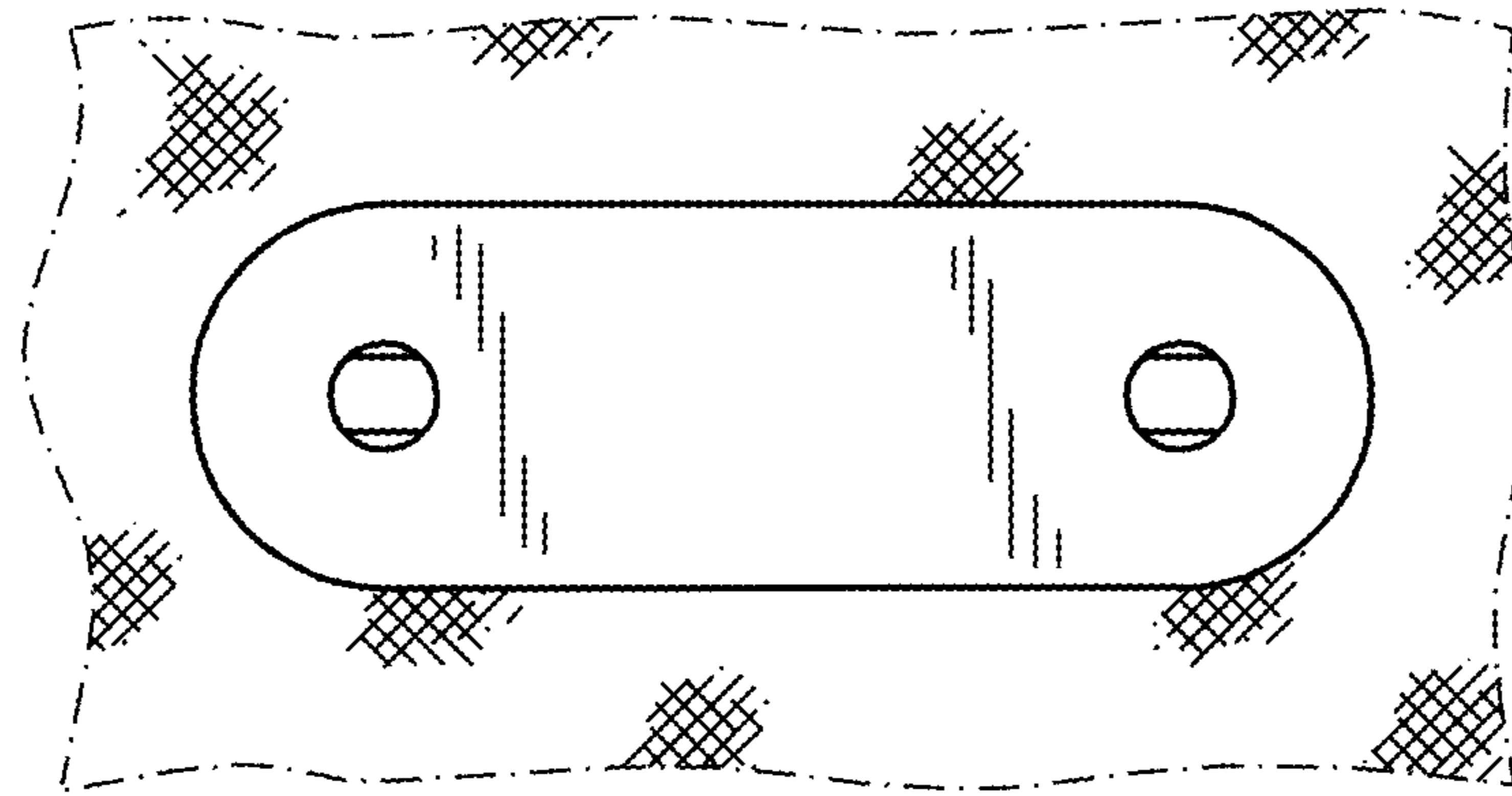


FIG. 1

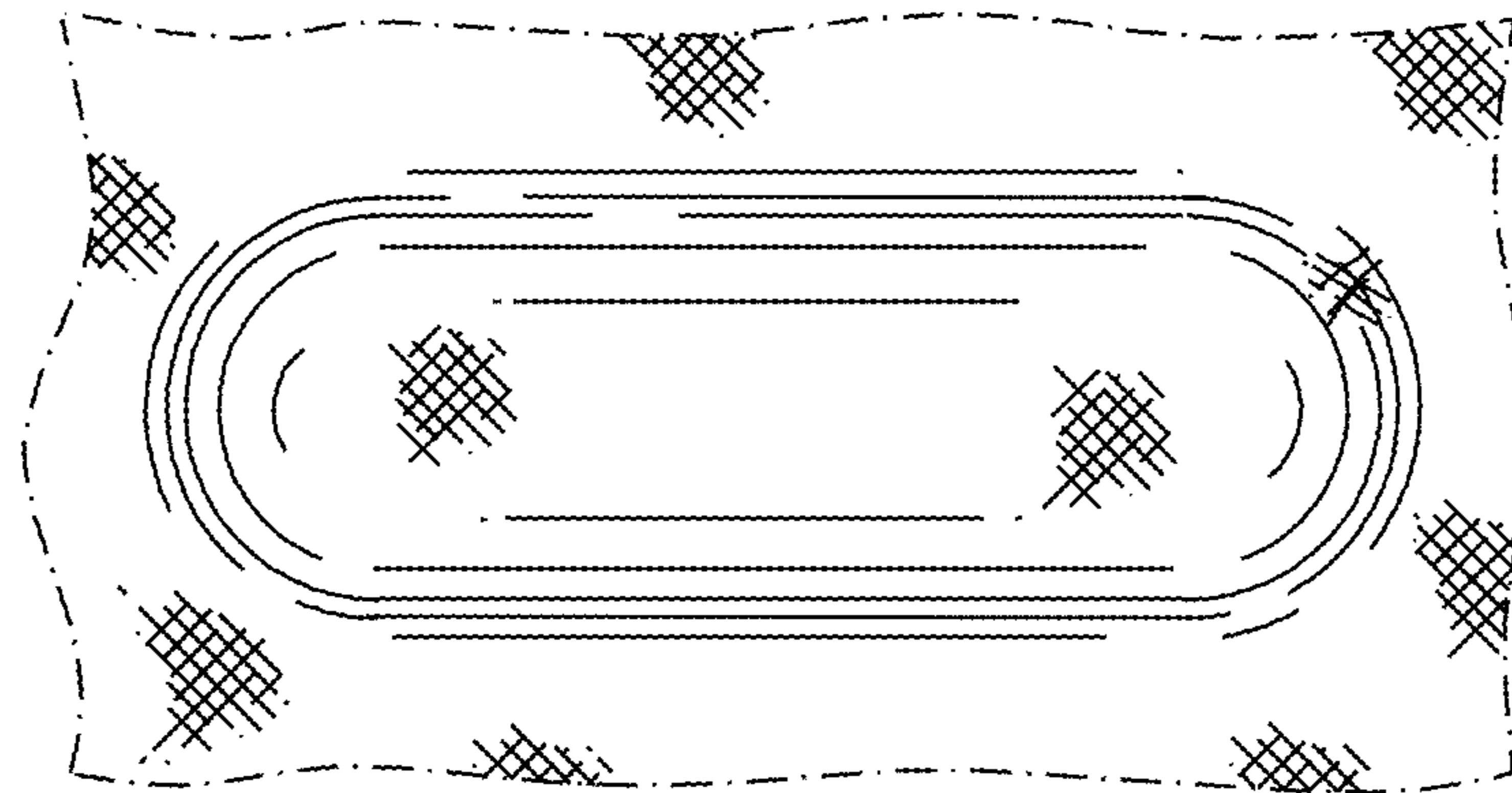


FIG. 2

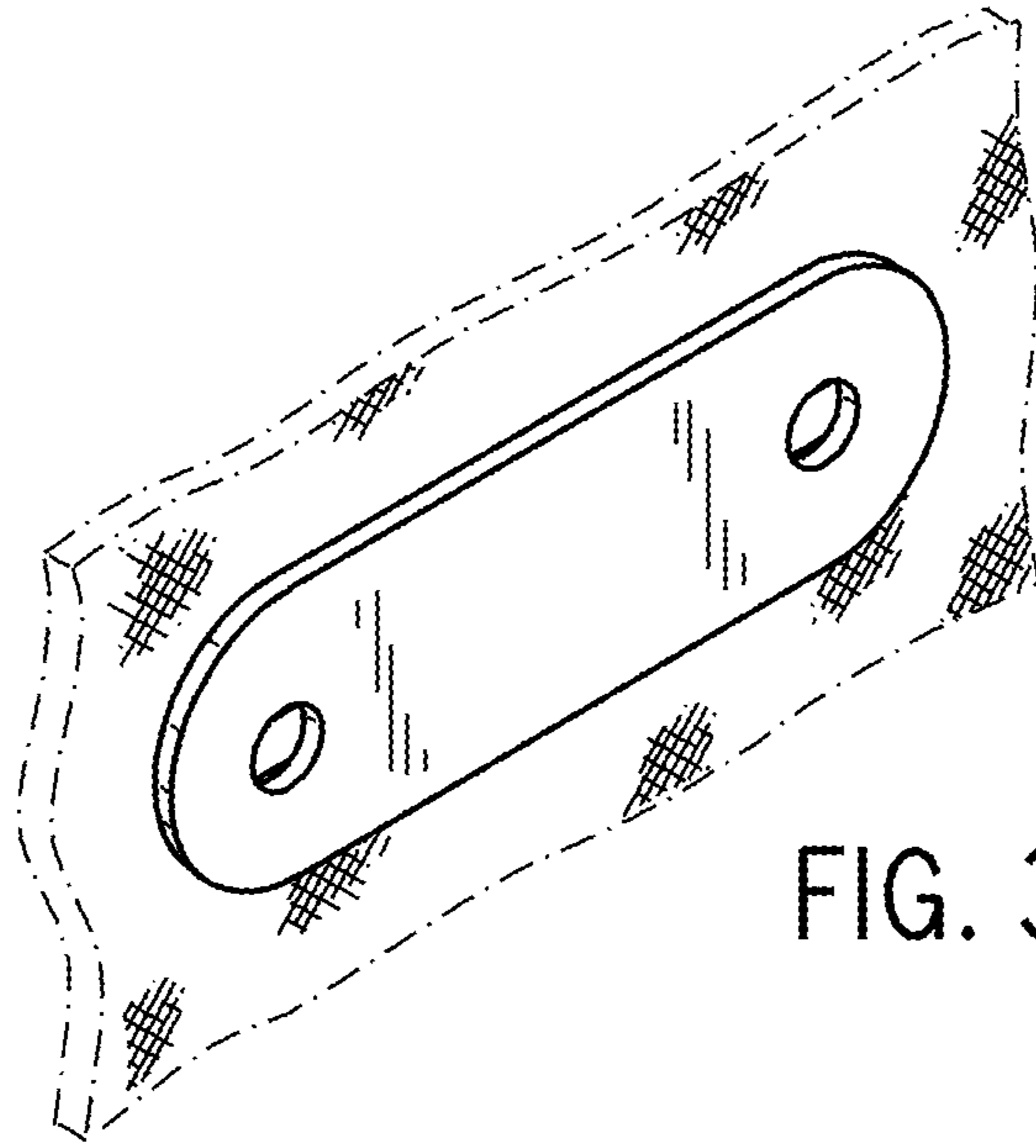


FIG. 3

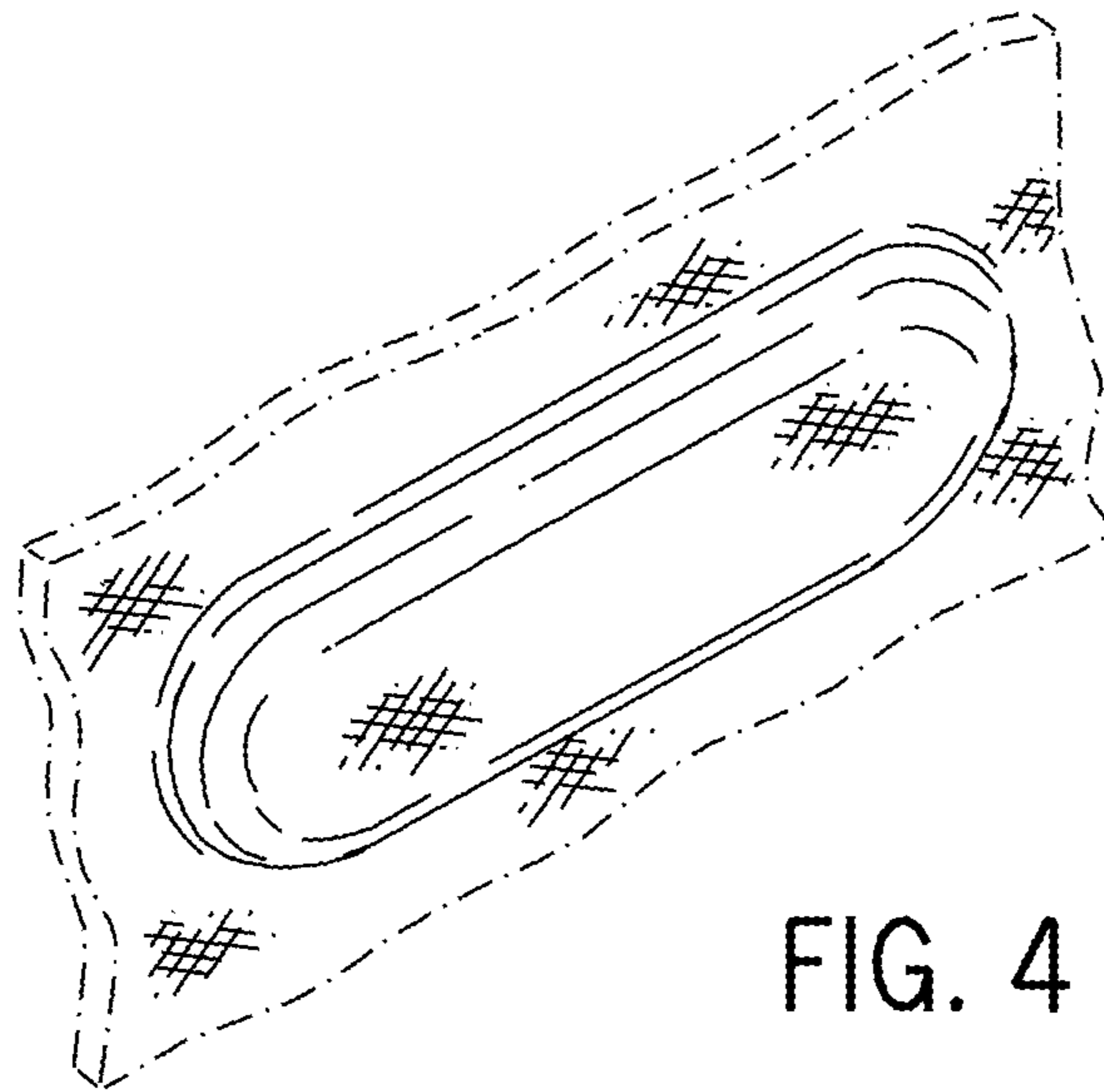


FIG. 4

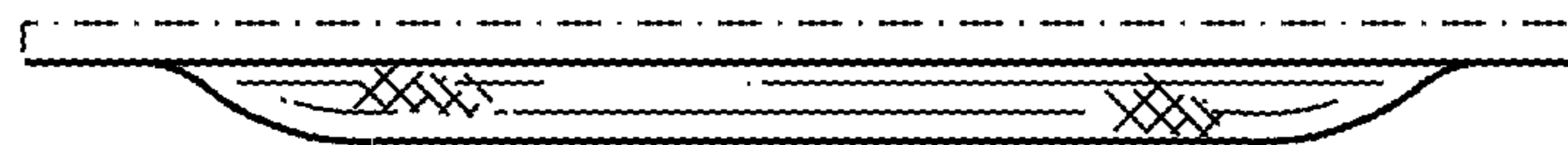


FIG. 5