



US00D764885S

(12) **United States Design Patent**  
**Nai**

(10) **Patent No.:** **US D764,885 S**

(45) **Date of Patent:** **\*\* Aug. 30, 2016**

(54) **TUBE CUTTER**

(71) Applicant: **JPJ INVESTMENT HOLDING CORP.**, City of Industry, CA (US)

(72) Inventor: **Guangjun Nai**, Shanghai (CN)

(73) Assignee: **JPJ INVESTMENT HOLDING CORP.**, City of Industry, CA (US)

(\*\*) Term: **14 Years**

(21) Appl. No.: **29/490,483**

(22) Filed: **May 9, 2014**

(51) **LOC (10) Cl.** ..... **08-05**

(52) **U.S. Cl.**  
USPC ..... **D8/55**

(58) **Field of Classification Search**  
USPC ..... D8/4, 5, 51-60, 105  
CPC ..... B25F 1/003; B25F 1/04; B26D 3/169;  
B25B 7/02; B25B 7/22  
See application file for complete search history.

(56) **References Cited**

**U.S. PATENT DOCUMENTS**

4,648,145	A *	3/1987	Miceli	.....	B26B 11/003 30/153
5,743,582	A *	4/1998	Rivera	.....	B25F 1/003 294/99.2
5,791,002	A *	8/1998	Gardiner	.....	B25F 1/003 7/128
D406,509	S	3/1999	Rivera		
D407,286	S	3/1999	Seber et al.		
D408,238	S	4/1999	Rivera		
6,006,385	A *	12/1999	Kershaw	.....	B25F 1/04 7/128
6,430,768	B2 *	8/2002	McIntosh	.....	30/152
D521,829	S	5/2006	Yale et al.		
7,204,021	B2 *	4/2007	Houseman	.....	B25D 1/02 30/235
D578,851	S *	10/2008	Huang	.....	D8/60
D591,570	S *	5/2009	Lee	.....	D8/5
7,549,226	B2 *	6/2009	Mortensen	.....	B26D 3/169 30/258

D612,221	S *	3/2010	Groten	.....	D8/60
D612,697	S *	3/2010	Huang	.....	D8/60
7,716,840	B2 *	5/2010	Nandkumar	.....	B26D 3/169 30/238
D654,344	S	2/2012	Rivera et al.		
D702,521	S *	4/2014	Jang Soo	.....	D7/693
2012/0227187	A1	9/2012	Caniparoli et al.		
2015/0047127	A1 *	2/2015	Leach	.....	B25F 1/003 7/119

\* cited by examiner

*Primary Examiner* — Deanna L Pratt

(74) *Attorney, Agent, or Firm* — Patterson & Sheridan, L.L.P.

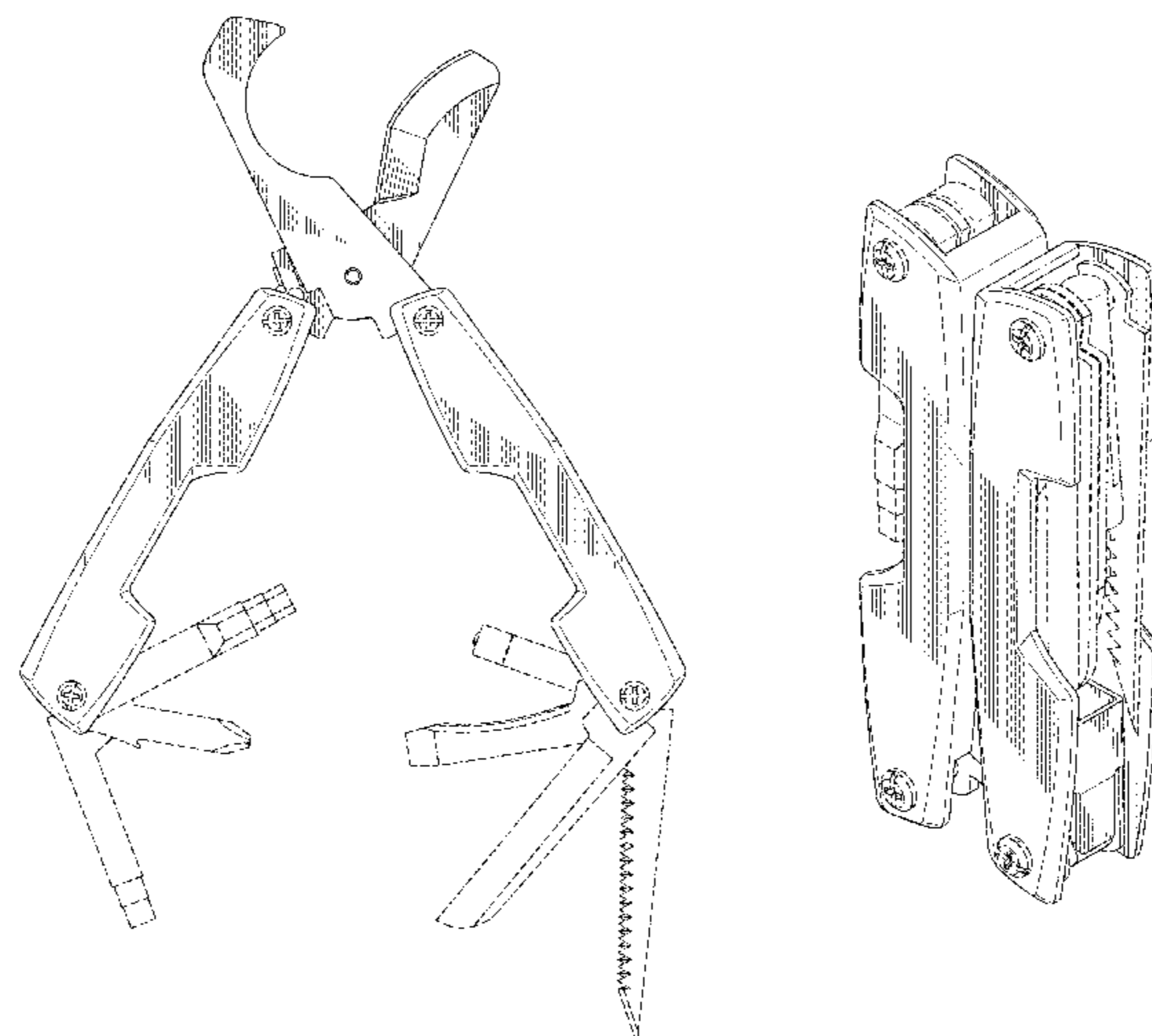
(57) **CLAIM**

The ornamental design for a tube cutter, as shown and described.

**DESCRIPTION**

FIG. 1 is a top perspective view of a tube cutter in an open position showing my new design;  
 FIG. 2 is a bottom perspective view thereof;  
 FIG. 3 is a front elevational view thereof;  
 FIG. 4 is a rear elevational view thereof;  
 FIG. 5 is a left side elevational view thereof;  
 FIG. 6 is a right side elevational view thereof;  
 FIG. 7 is a top plan view thereof;  
 FIG. 8 is a bottom plan view thereof;  
 FIG. 9 is a top perspective view of the tube cutter in a closed position;  
 FIG. 10 is a bottom perspective view thereof;  
 FIG. 11 is a front elevational view thereof;  
 FIG. 12 is a rear elevational view thereof;  
 FIG. 13 is a left side elevational view thereof;  
 FIG. 14 is a right side elevational view thereof;  
 FIG. 15 is a top plan view thereof; and,  
 FIG. 16 is a bottom plan view thereof.  
 The portions illustrated in broken lines form no part of the claimed design.

**1 Claim, 12 Drawing Sheets**



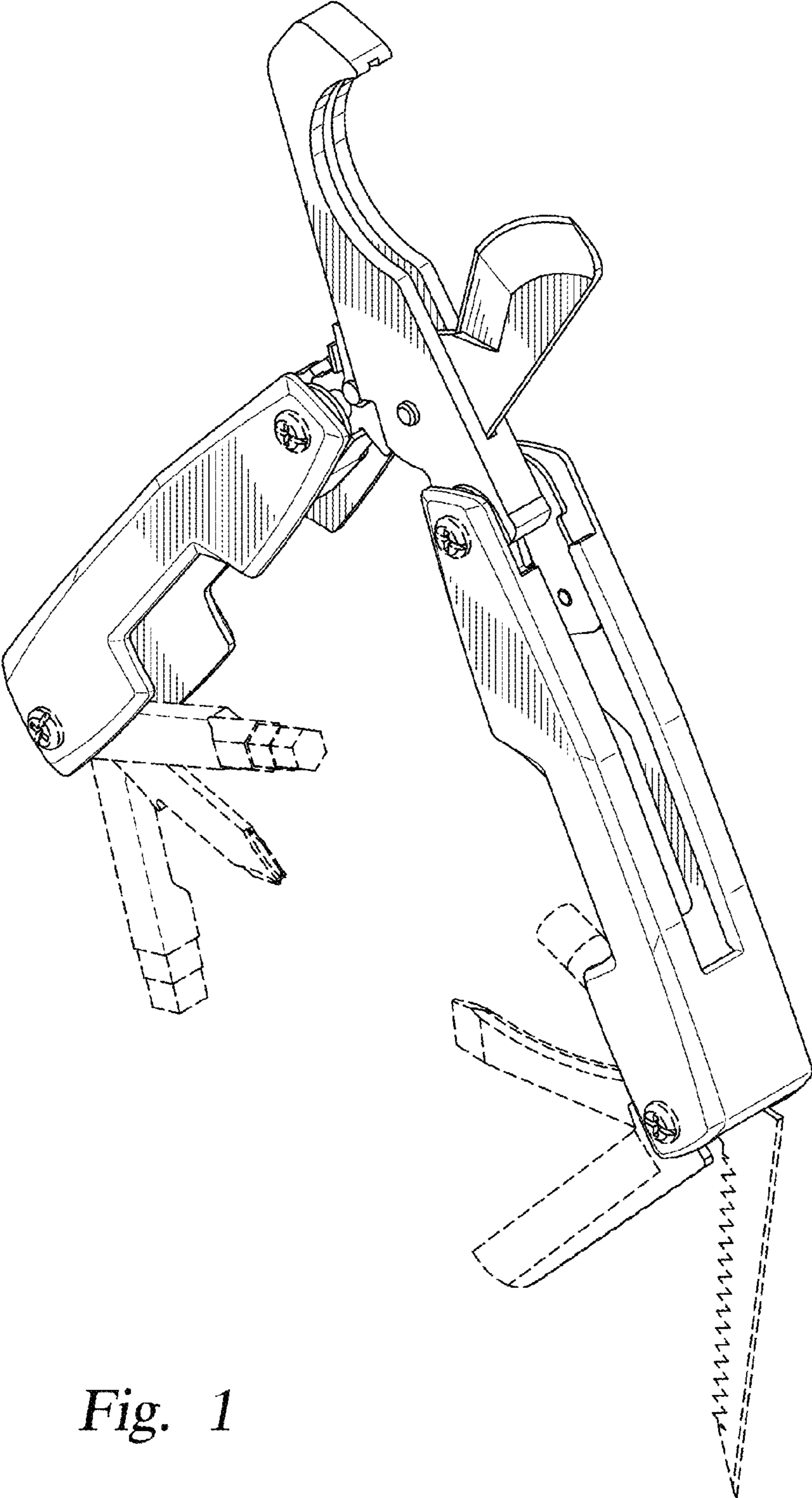


Fig. 1

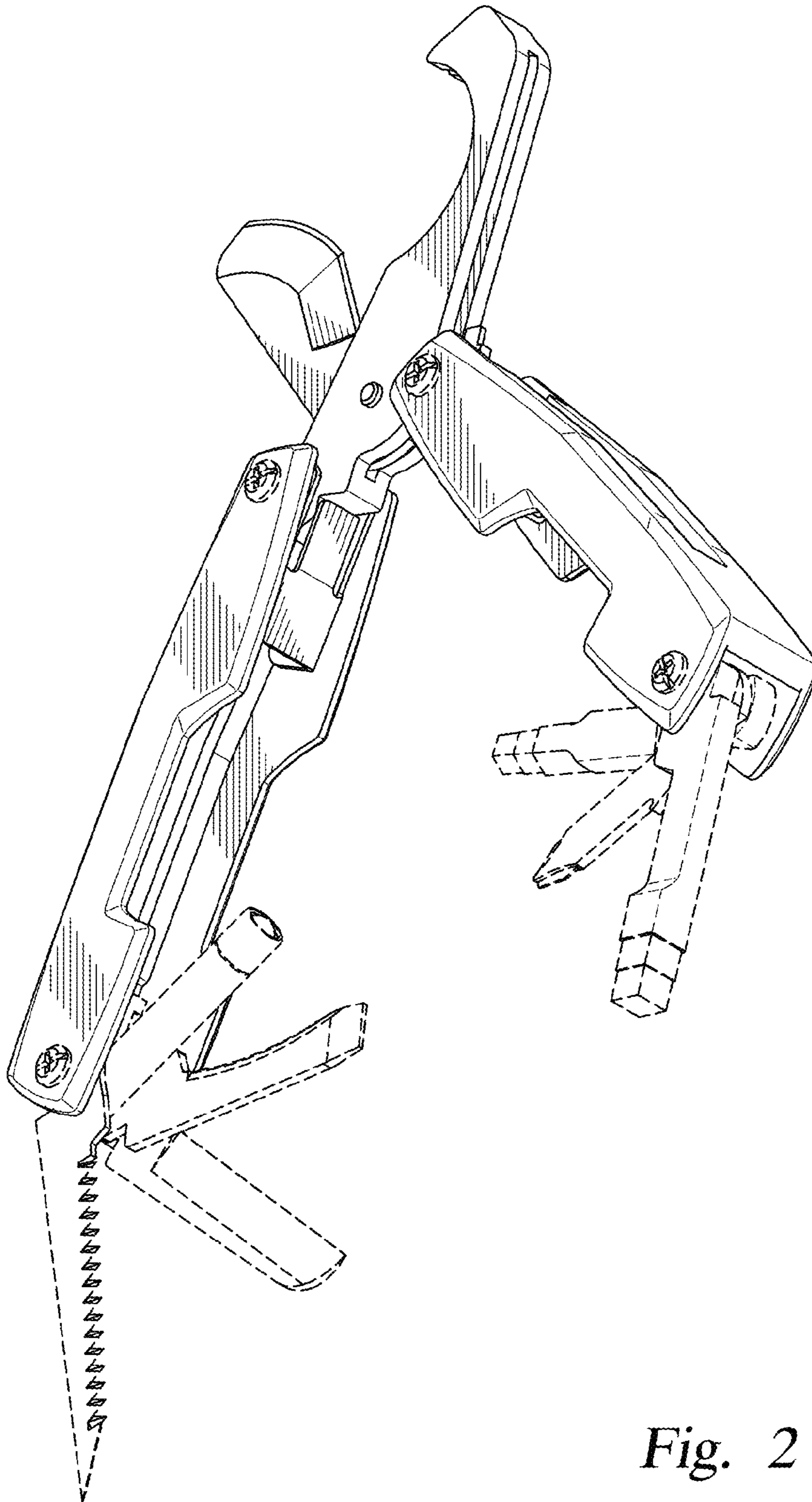


Fig. 2

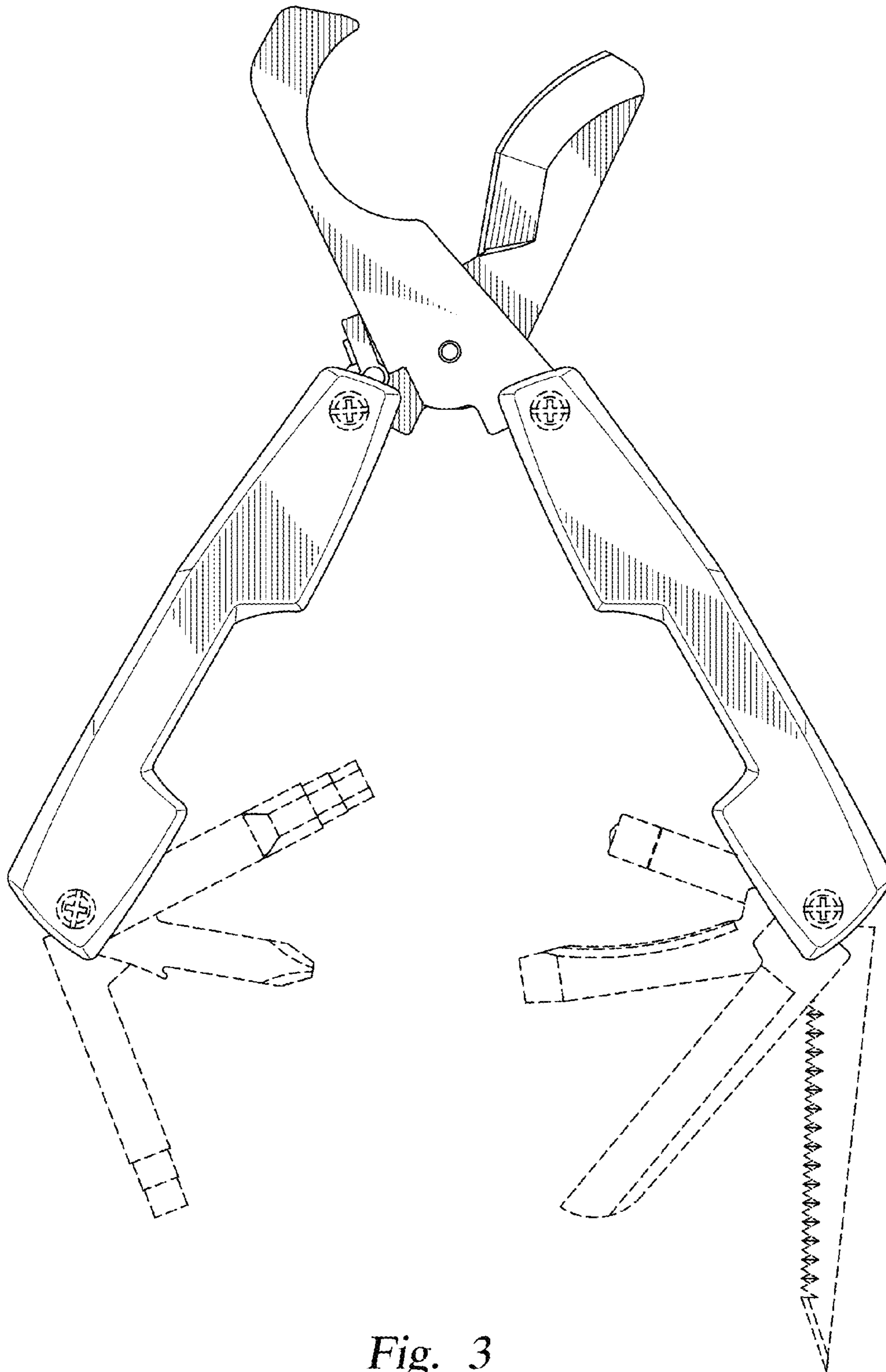


Fig. 3

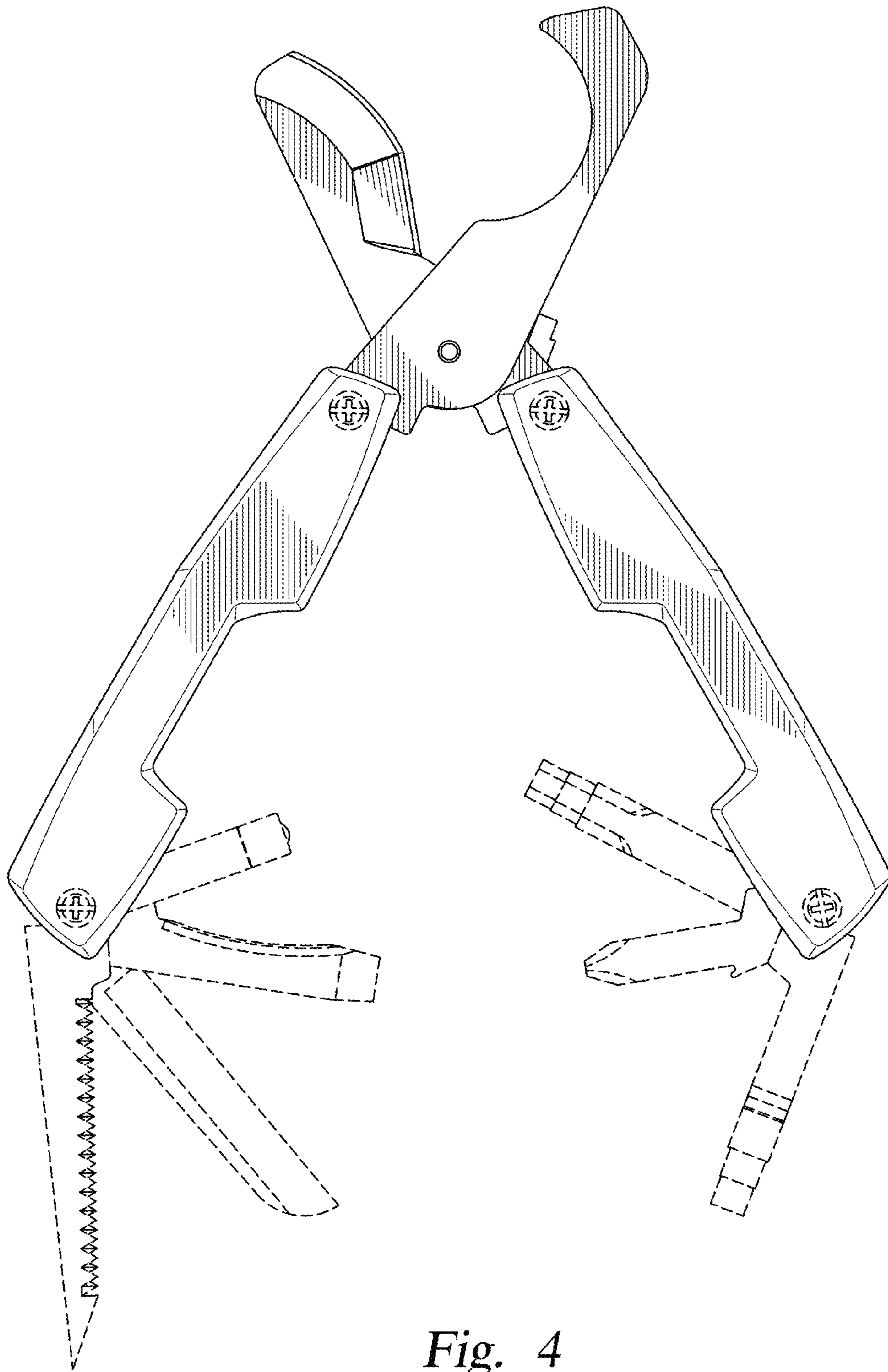
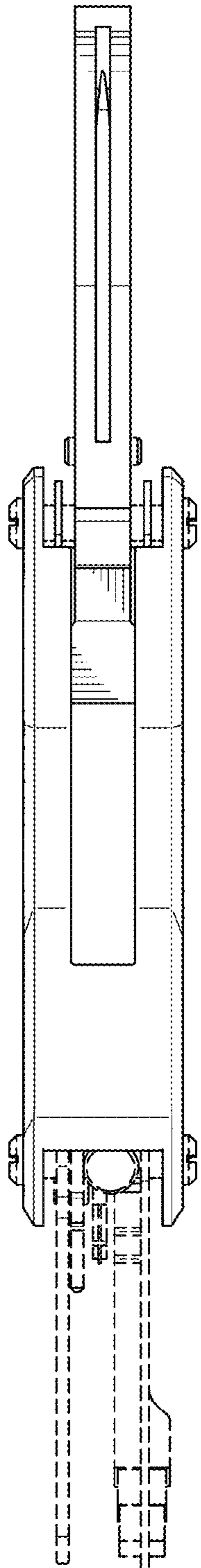
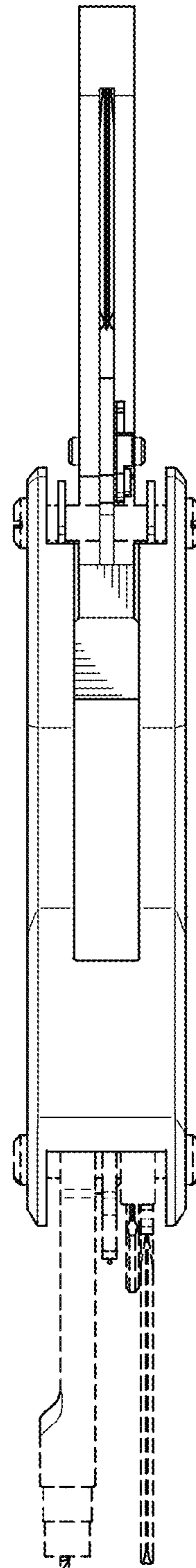


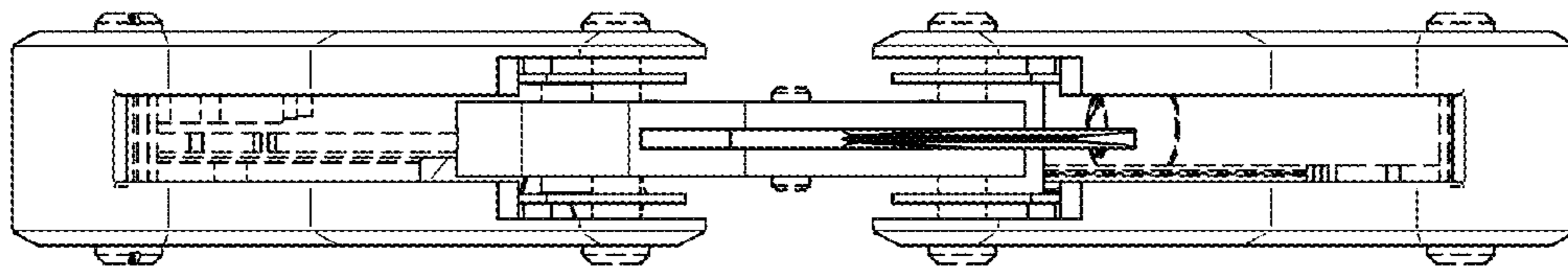
Fig. 4



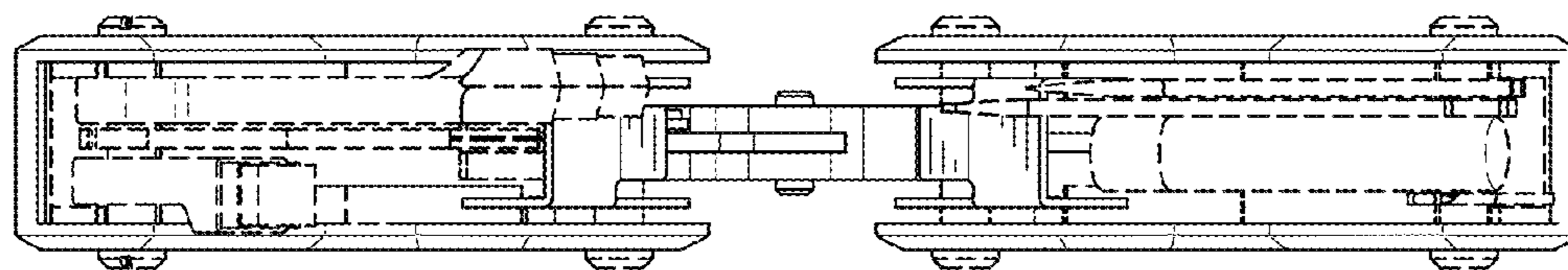
*Fig. 5*



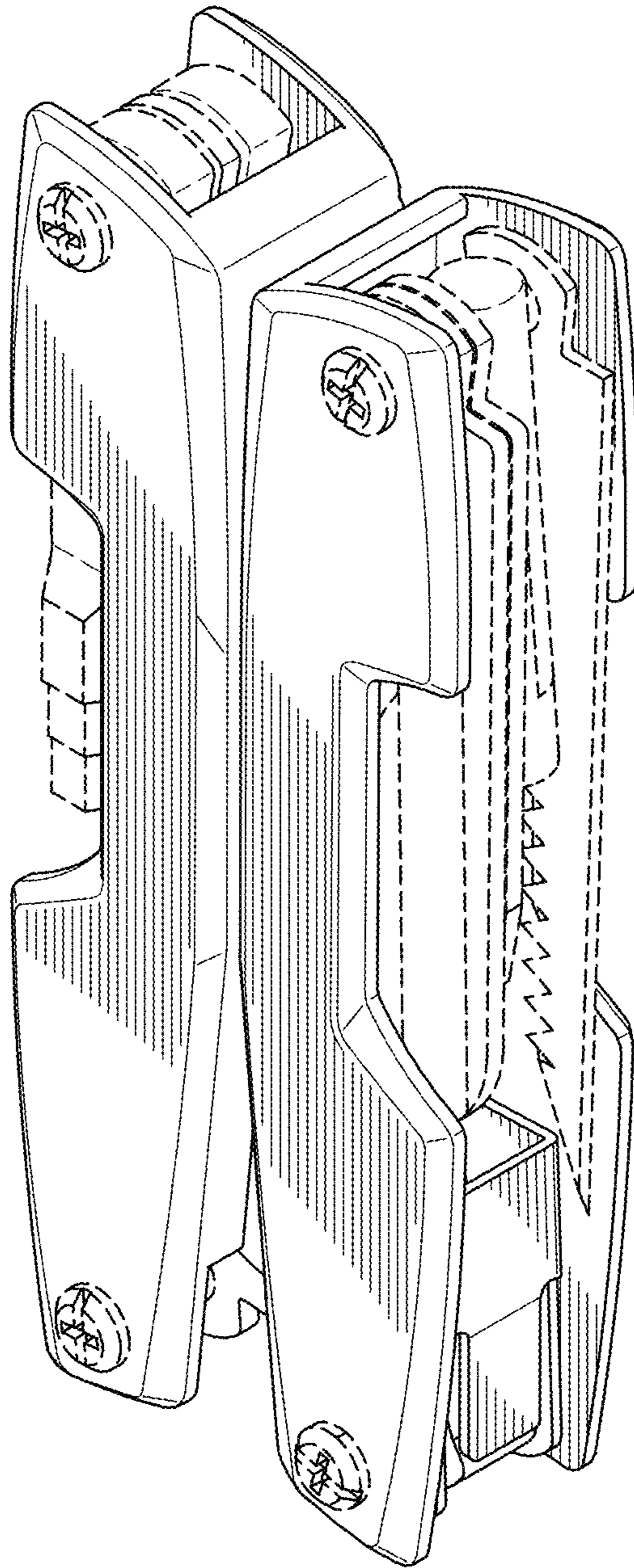
*Fig. 6*



*Fig. 7*

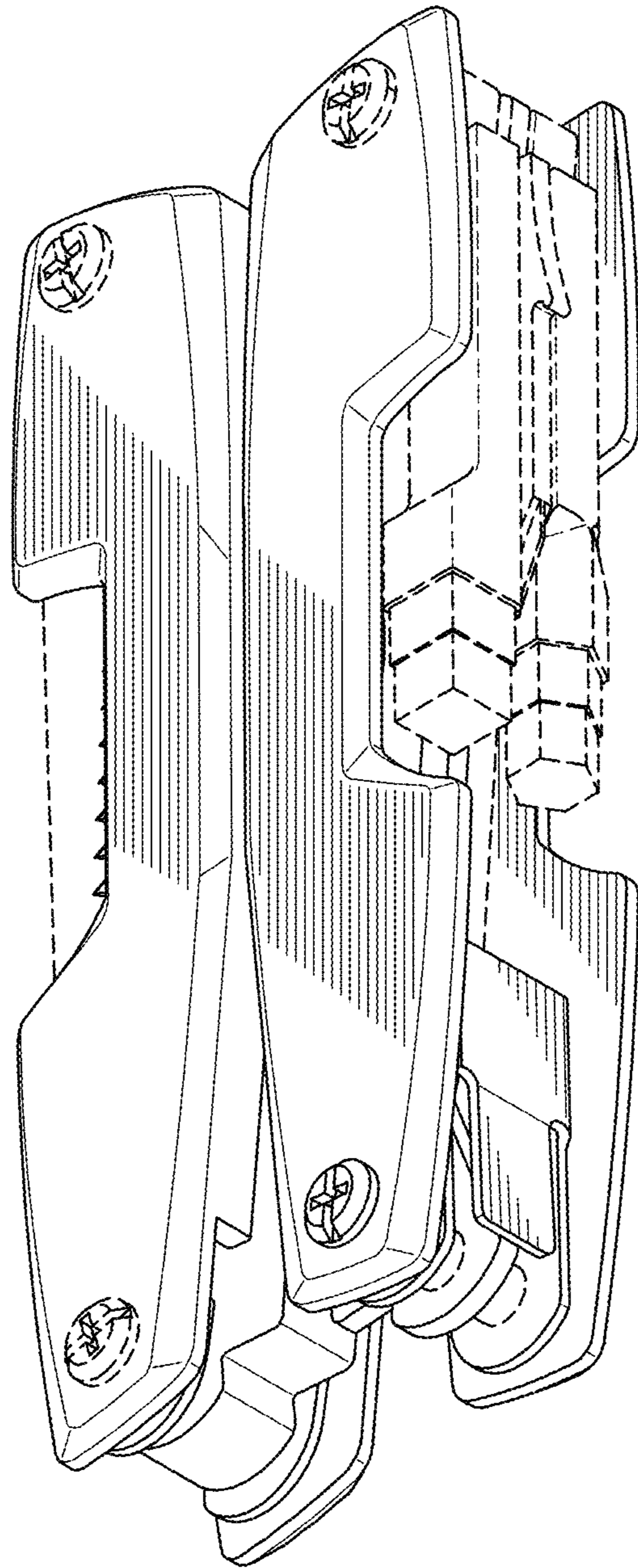


*Fig. 8*

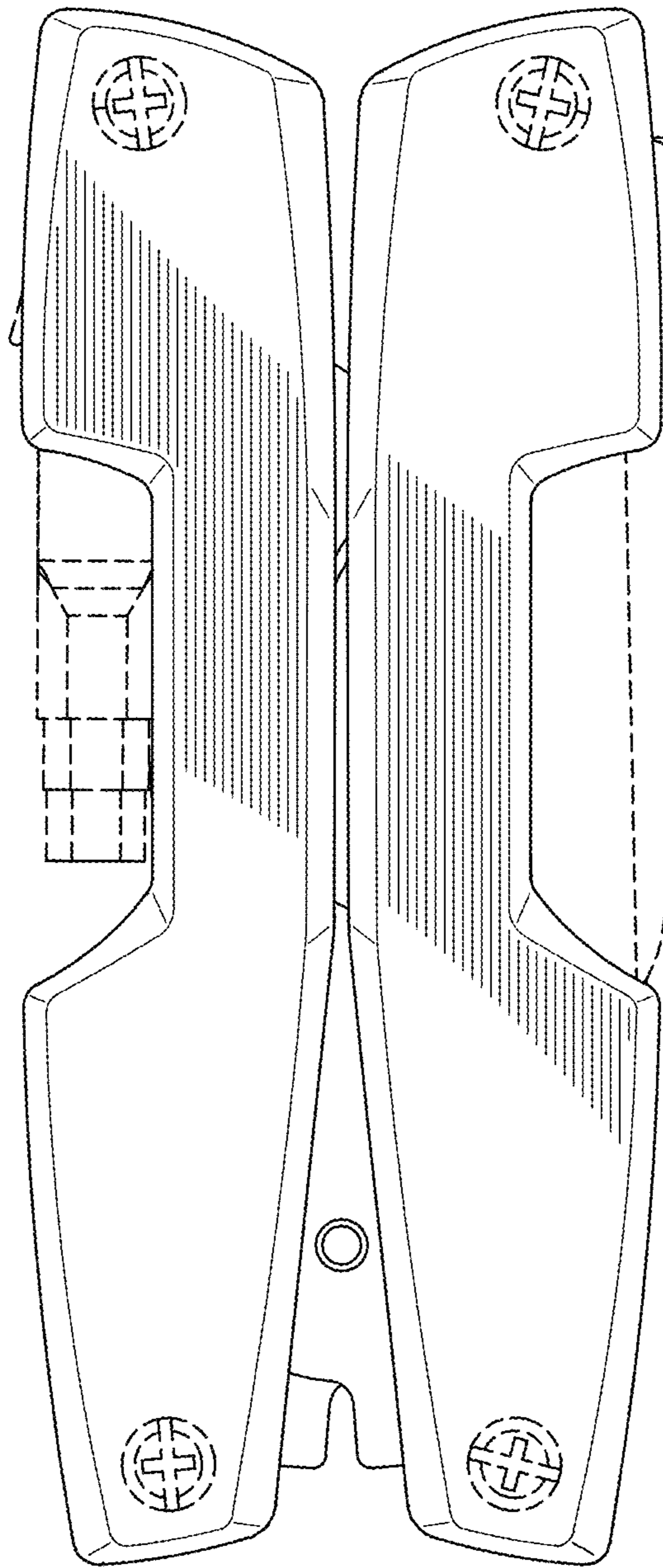


*Fig. 9*

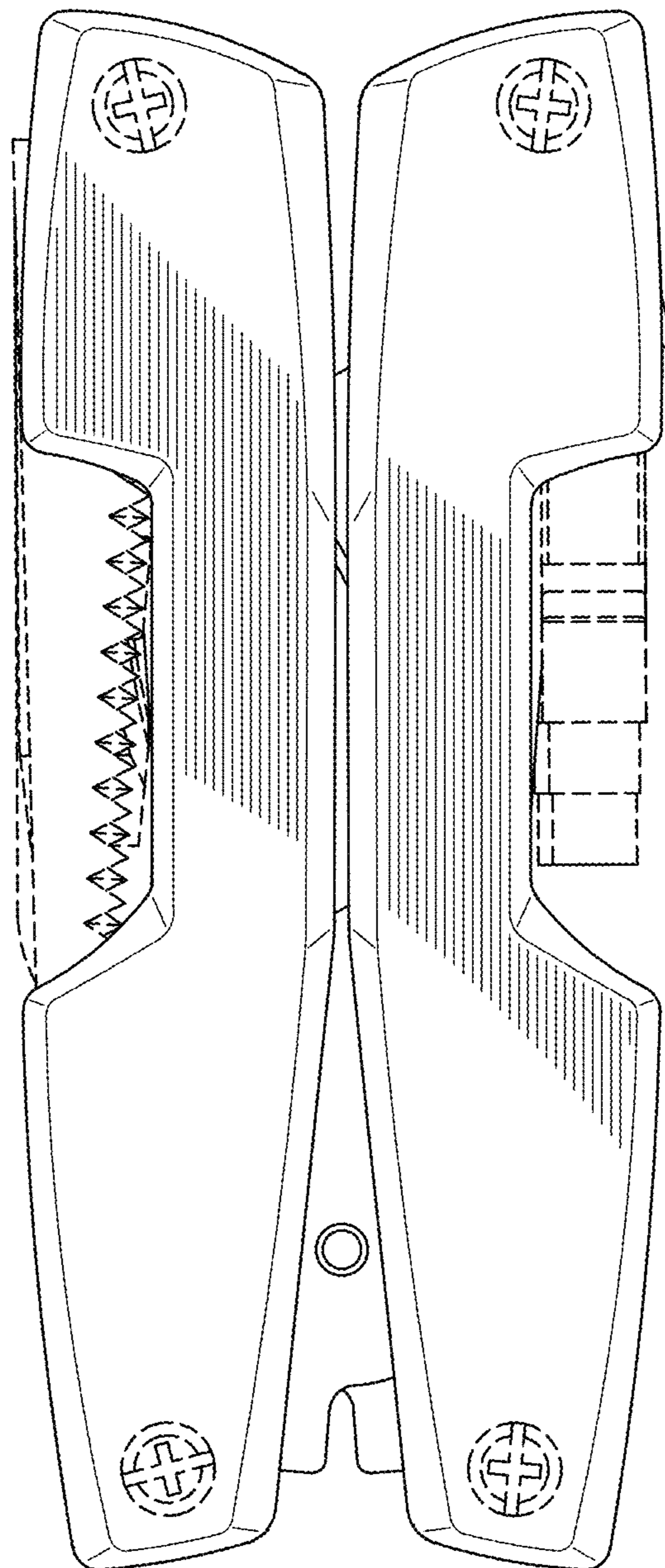




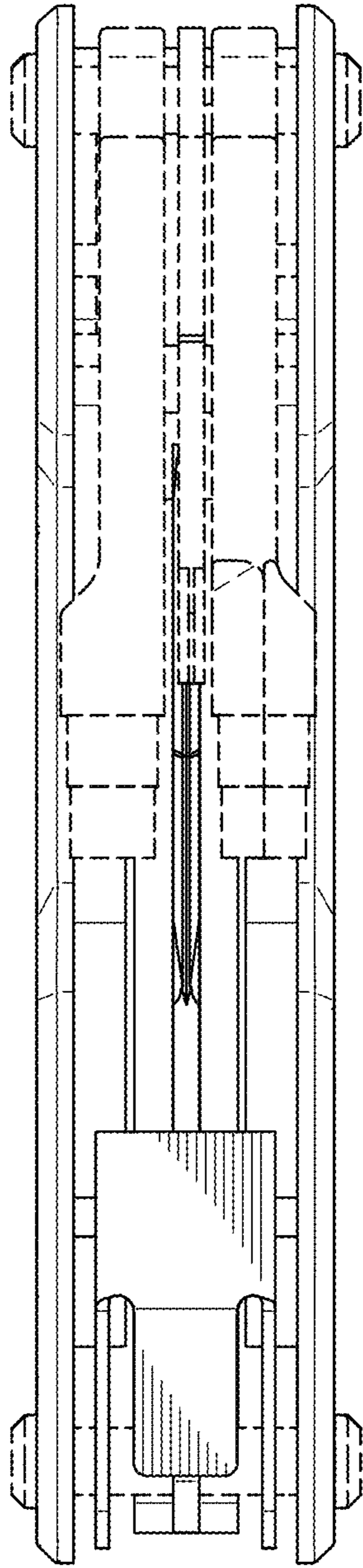
*Fig. 10*



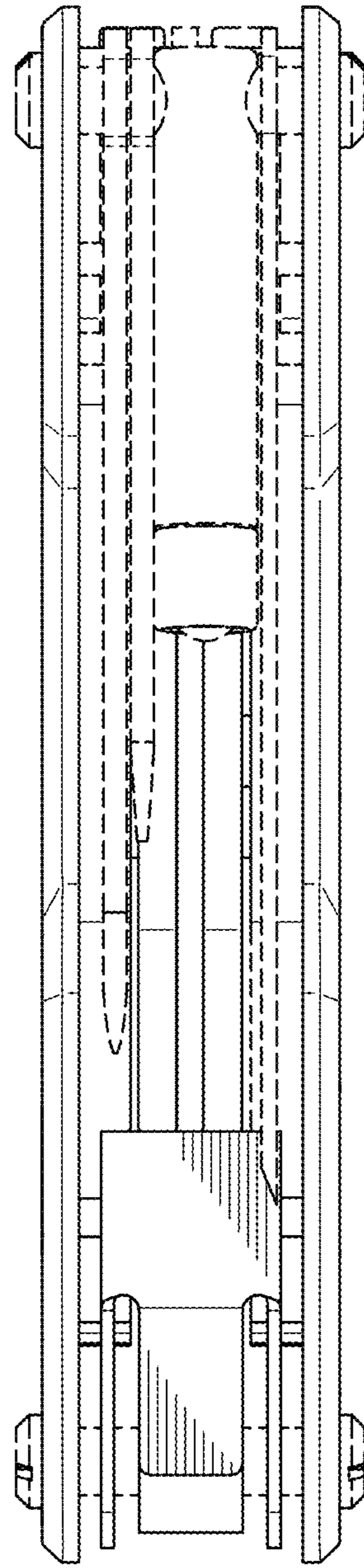
*Fig. 11*



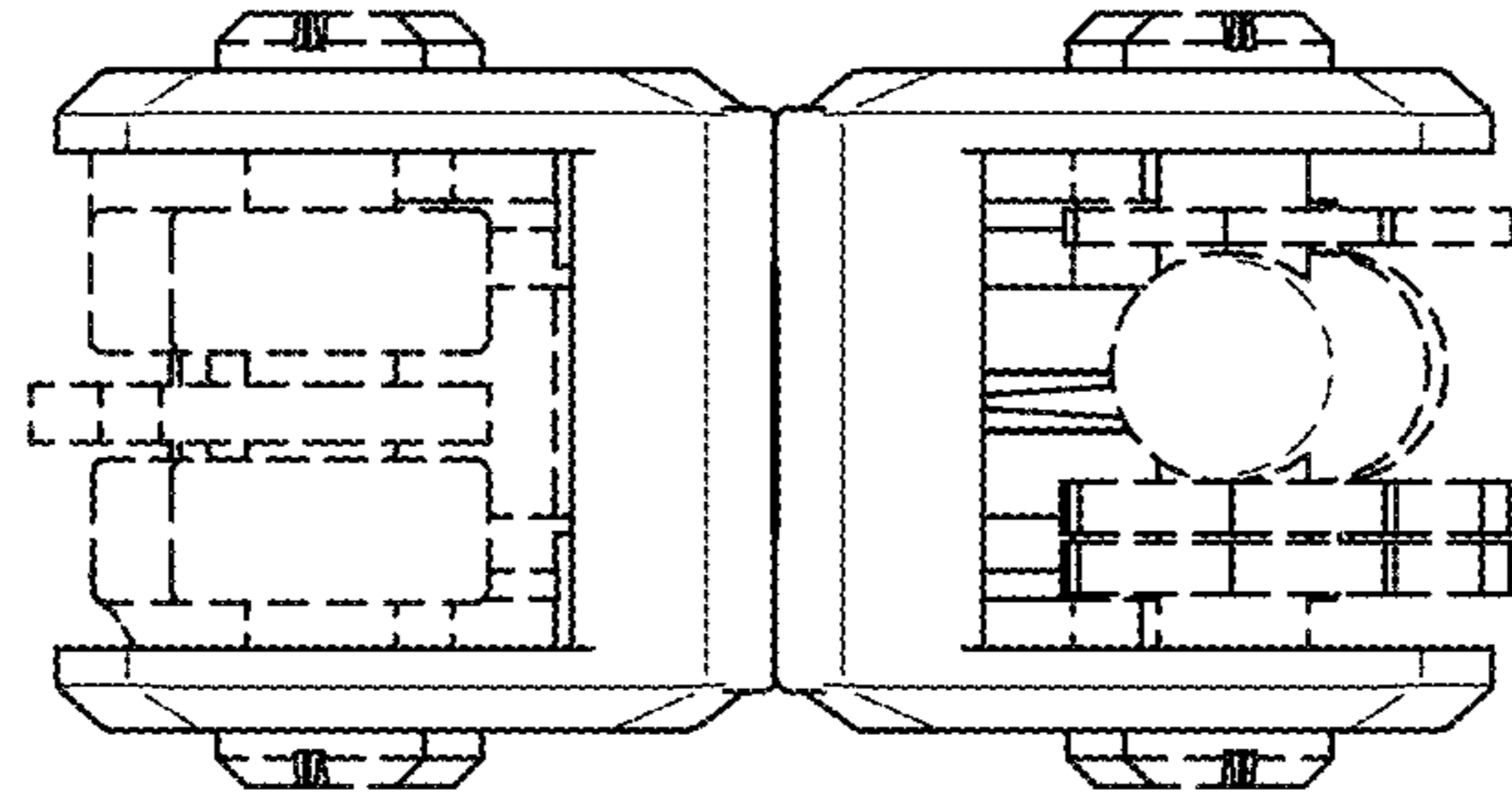
*Fig. 12*



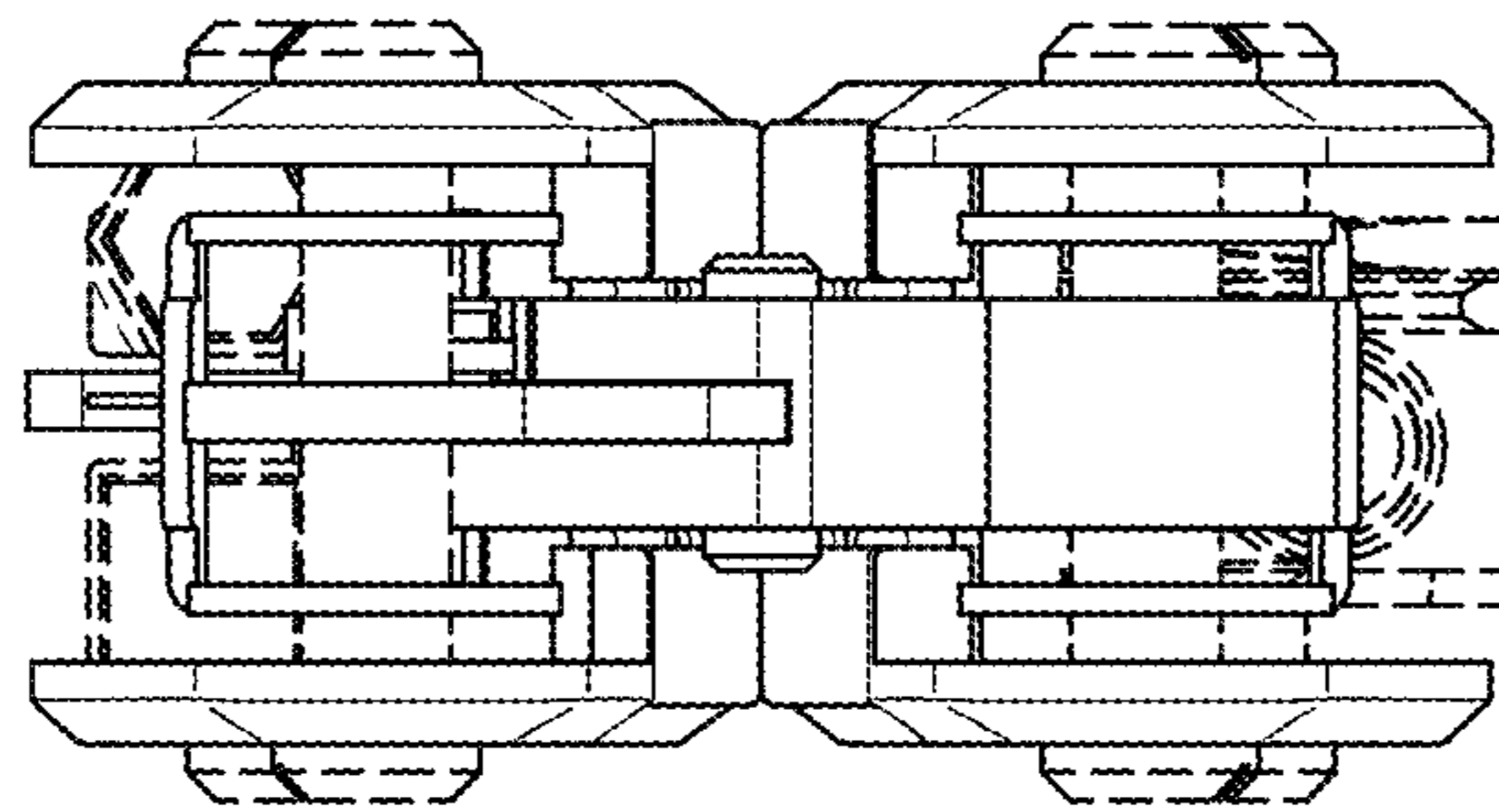
*Fig. 13*



*Fig. 14*



*Fig. 15*



*Fig. 16*