

US00D764884S

(12) **United States Design Patent** (10) **Patent No.:** **US D764,884 S**
Kuna (45) **Date of Patent:** **** Aug. 30, 2016**

(54) **COMBINATION REACHER AND SHOE HORN**

D640,039 S * 6/2011 Szymanski D2/642
D655,589 S * 3/2012 Owens D8/51
D658,351 S * 5/2012 Szymanski D2/642
D744,798 S * 12/2015 Kroener D8/51

(71) Applicant: **Joseph Kuna**, Alexandria, VA (US)

* cited by examiner

(72) Inventor: **Joseph Kuna**, Alexandria, VA (US)

Primary Examiner — Deanna L Pratt

(73) Assignee: **INDY SPIRIT LLC**, Alexandria, VA (US)

(74) *Attorney, Agent, or Firm* — Venable LLP; Jeffri A. Kaminski

(**) Term: **14 Years**

(21) Appl. No.: **29/518,230**

(57) **CLAIM**

The ornamental design for combination reacher and shoe horn, as shown and described.

(22) Filed: **Feb. 20, 2015**

(51) **LOC (10) Cl.** **08-05**

(52) **U.S. Cl.**
USPC **D8/51; D2/642**

DESCRIPTION

(58) **Field of Classification Search**
USPC D8/4, 5, 51–60, 105, 107; D2/642
CPC B25J 1/04; A47G 25/82; B25B 9/00
See application file for complete search history.

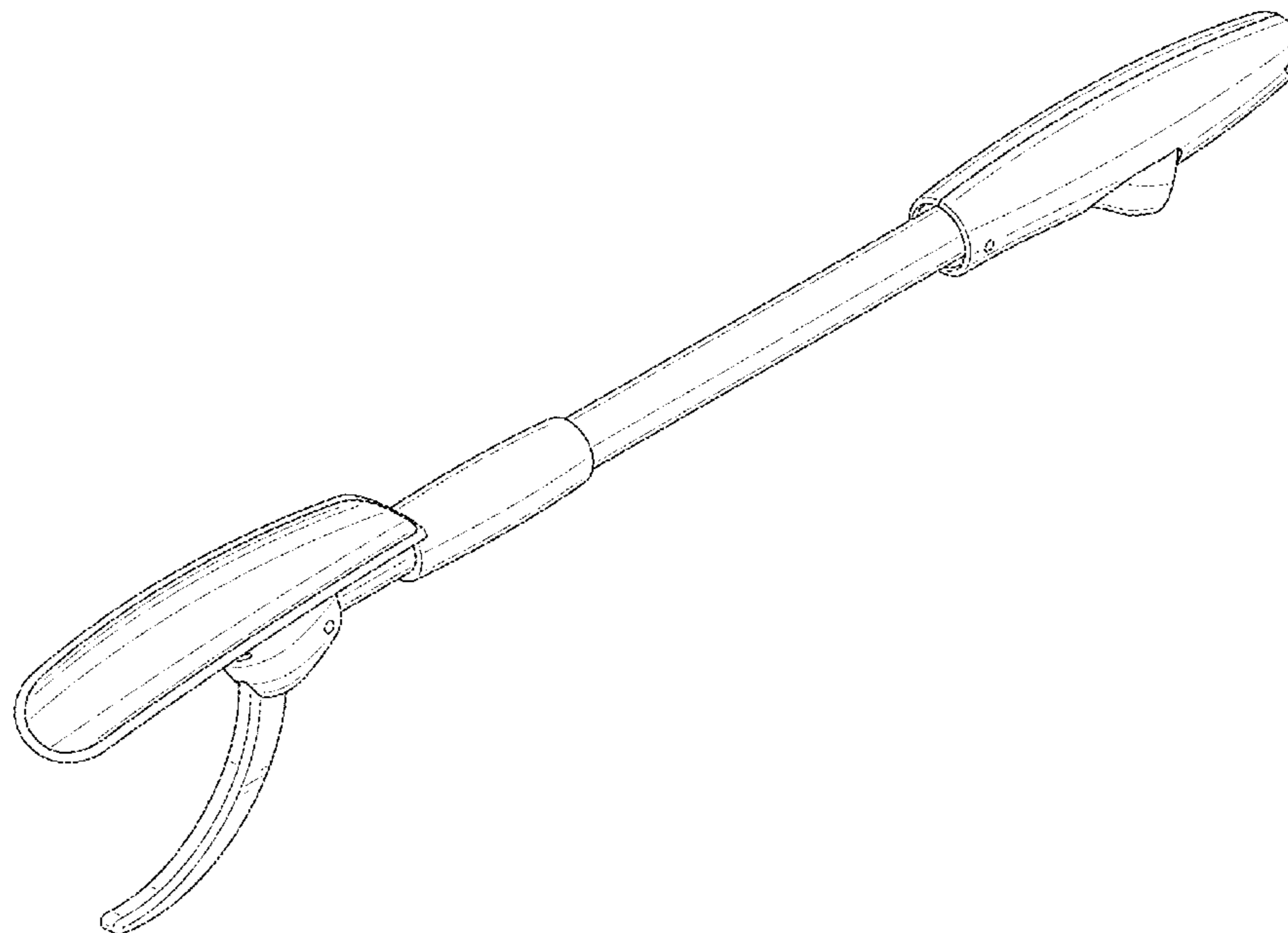
FIG. 1 is a perspective view of a combination reacher and shoe horn according to an embodiment of the claimed design;
FIG. 2 is a front elevational view of the combination reacher and shoe horn of FIG. 1;
FIG. 3 is a rear elevational view of the combination reacher and shoe horn of FIG. 1;
FIG. 4 is a left elevational view of the combination reacher and shoe horn of FIG. 1;
FIG. 5 is a right elevational view of the combination reacher and shoe horn of FIG. 1;
FIG. 6 is a top elevational view of the combination reacher and shoe horn of FIG. 1;
FIG. 7 is a bottom elevational view of the combination reacher and shoe horn of FIG. 1; and,
FIG. 8 is a right elevational view of the combination reacher and shoe horn of FIG. 1 in an extended position.

(56) **References Cited**

U.S. PATENT DOCUMENTS

- 594,894 A * 12/1897 Nylander A47G 25/82
223/118
- D235,130 S * 5/1975 Helm D8/51
- D298,728 S * 11/1988 Bergkvist D8/51
- D333,075 S * 2/1993 Incantalupo D8/14
- D371,286 S * 7/1996 Garcia D8/51
- 5,687,889 A * 11/1997 Liden A47G 25/80
223/111
- 5,974,701 A * 11/1999 Busch A43B 11/00
223/111
- 6,695,182 B1 * 2/2004 Shrewsbury A47G 25/82
223/113

1 Claim, 5 Drawing Sheets



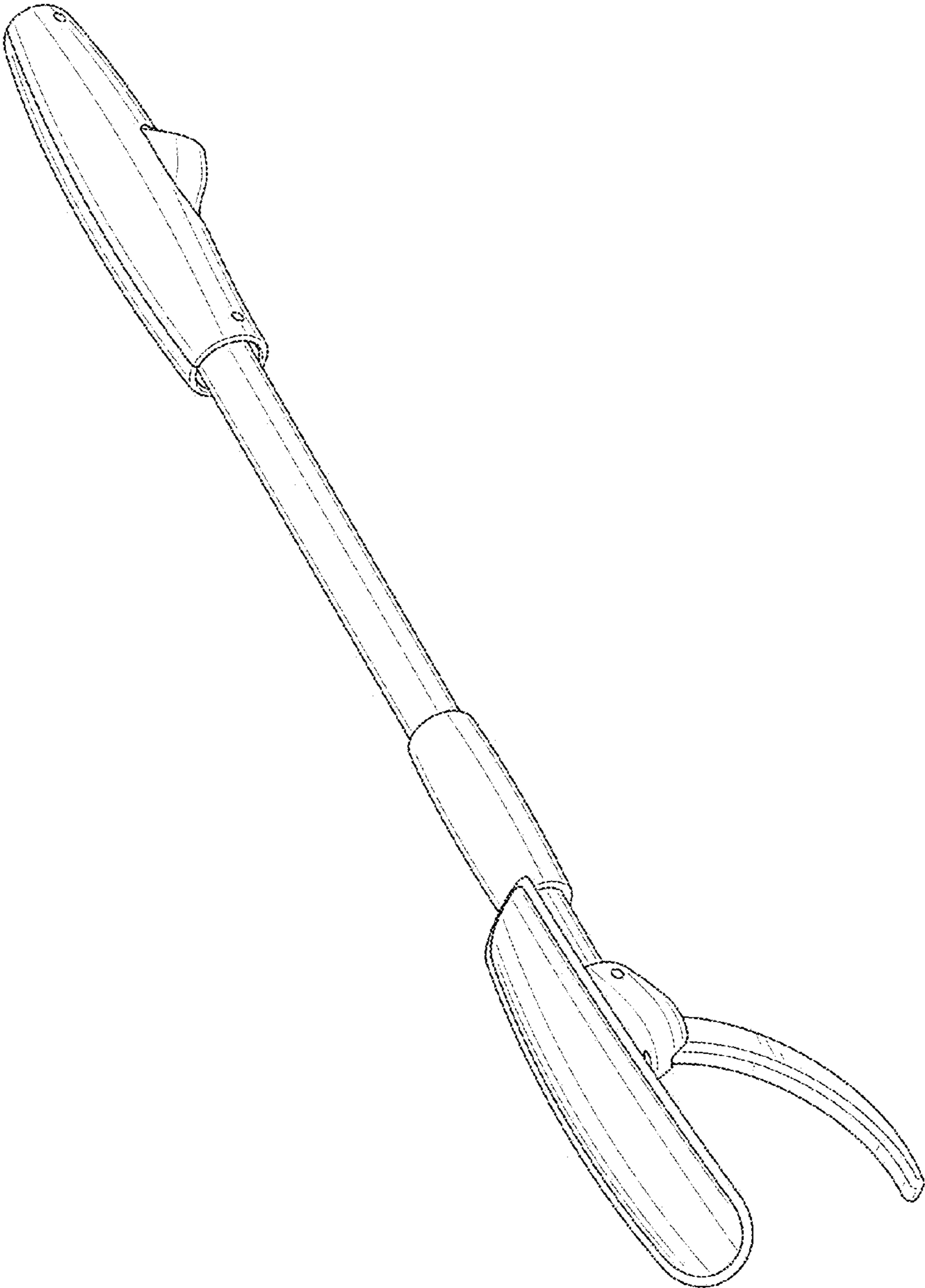


FIG. 1

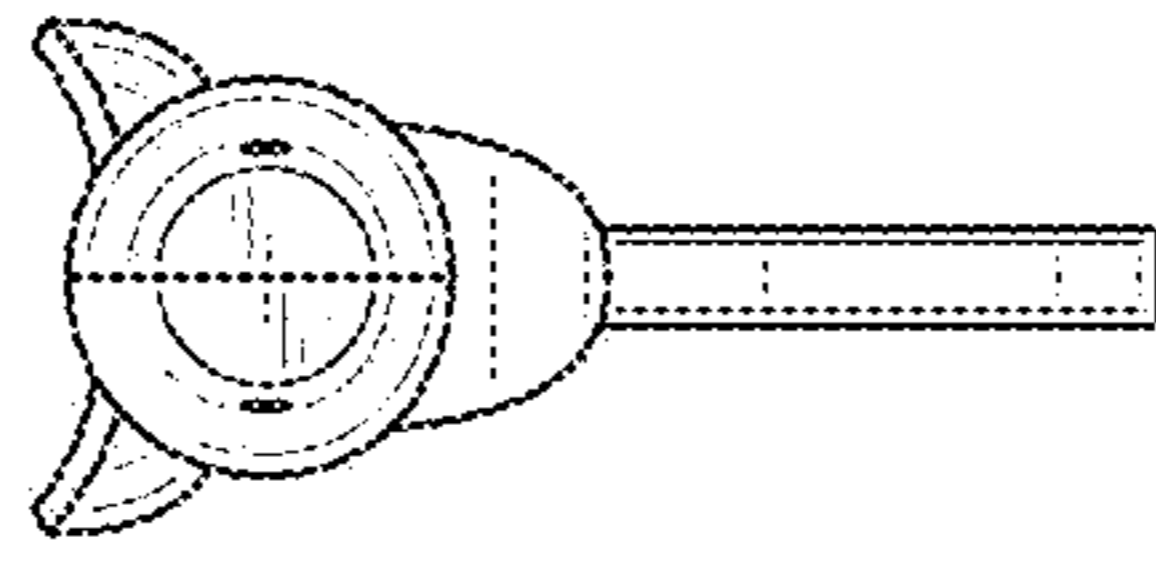


FIG. 3

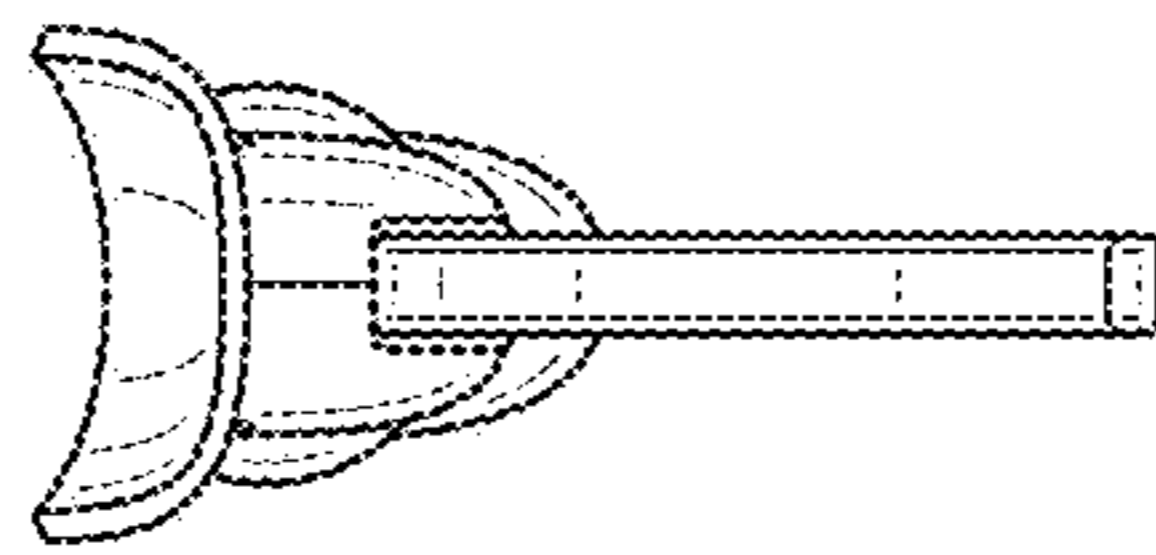


FIG. 2

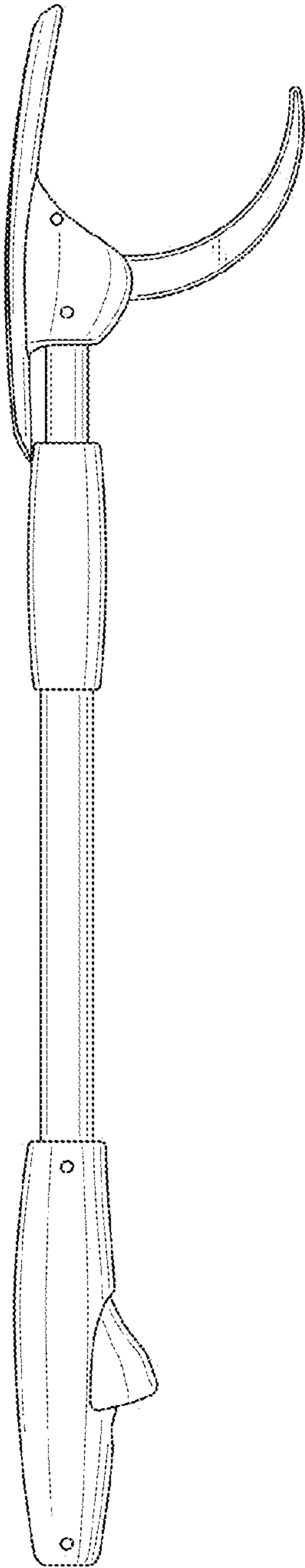


FIG. 4

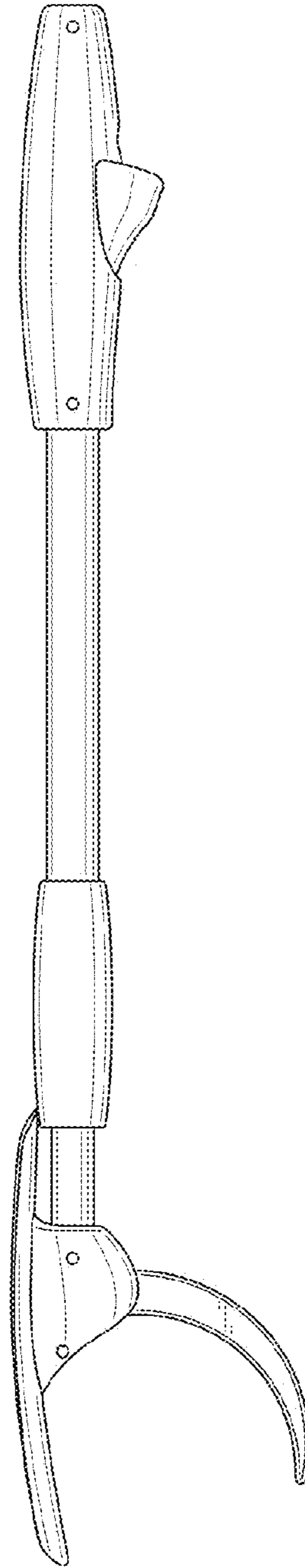


FIG. 5

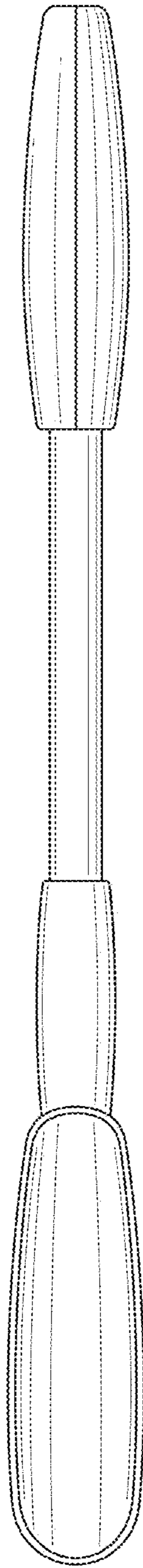


FIG. 6

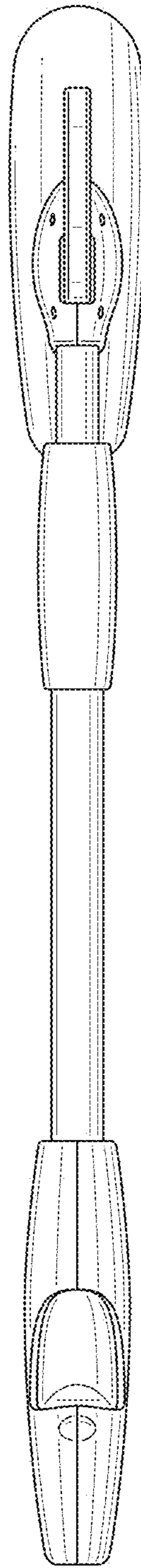


FIG. 7

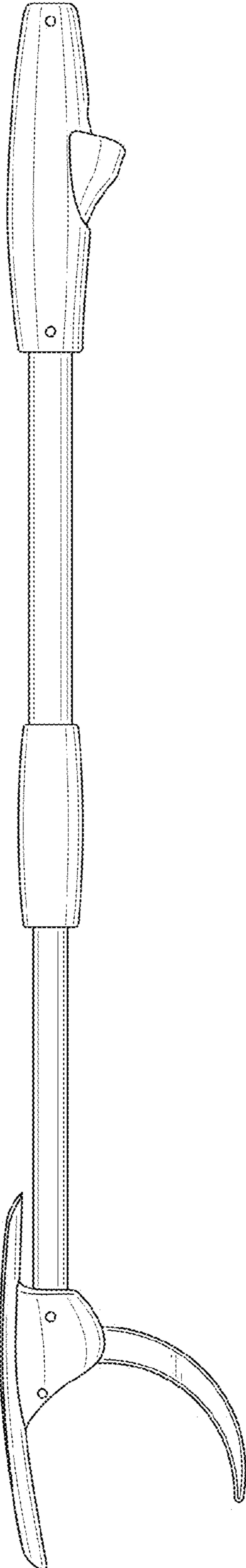


FIG. 8