

US00D764872S

(12) **United States Design Patent** (10) **Patent No.:** **US D764,872 S**
Collie (45) **Date of Patent:** **** Aug. 30, 2016**

(54) **COOLER**

(56) **References Cited**

(71) Applicant: **James E. Collie**, St. Augustine, FL
(US)

U.S. PATENT DOCUMENTS

(72) Inventor: **James E. Collie**, St. Augustine, FL
(US)

5,931,583 A *	8/1999	Collie	A45C 11/20 383/110
D509,996 S *	9/2005	Mitchell	D7/607
D674,664 S *	1/2013	Collie	D7/607
D677,127 S *	3/2013	Brown	D7/607
2002/0095946 A1 *	7/2002	Greene	F25D 3/08 62/457.2
2007/0221693 A1 *	9/2007	Moore	A45F 3/16 224/148.6

(**) Term: **14 Years**

(21) Appl. No.: **29/516,715**

* cited by examiner

(22) Filed: **Feb. 5, 2015**

Primary Examiner — Freda S Nunn

(51) **LOC (10) Cl.** **07-01**

(74) *Attorney, Agent, or Firm* — Thomas | Horstemeyer, LLP

(52) **U.S. Cl.**
USPC **D7/607**

(57) **CLAIM**

The ornamental design of a cooler, as shown and described.

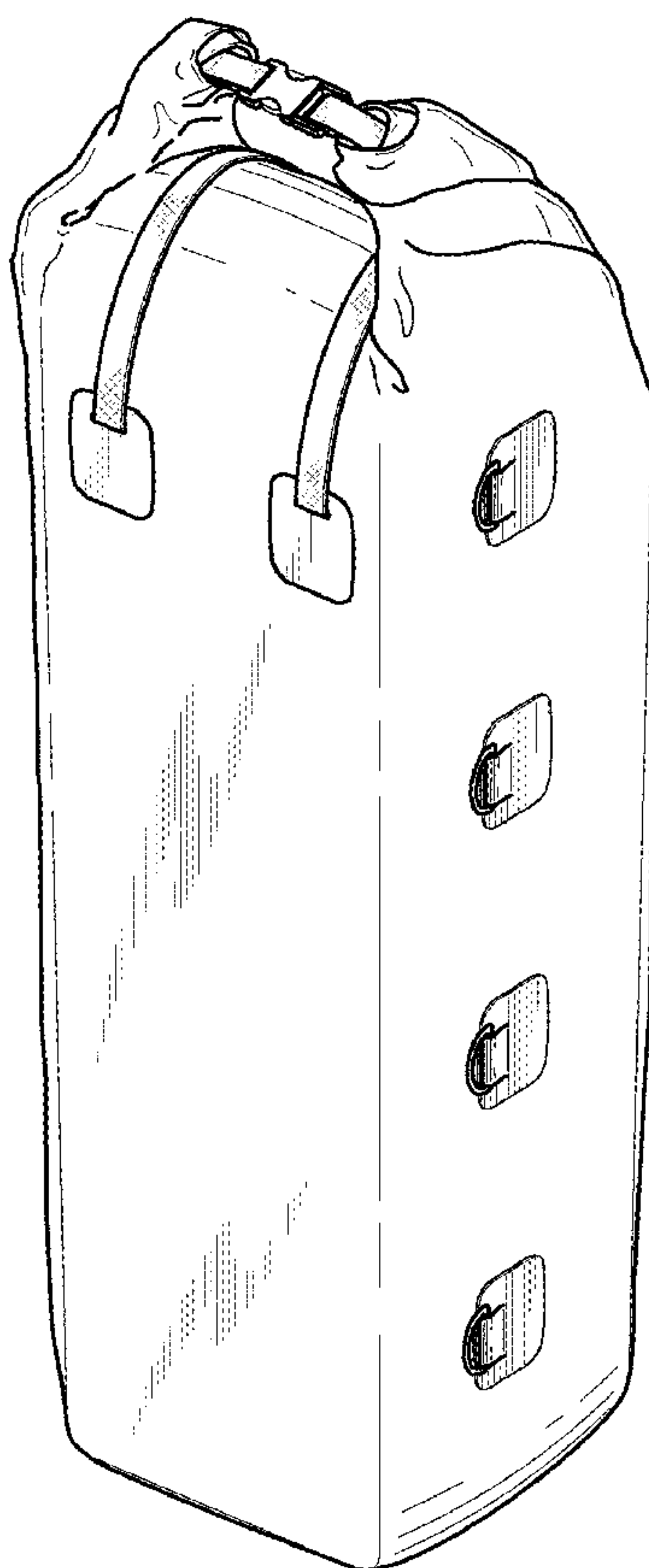
(58) **Field of Classification Search**
USPC D3/300, 303; D7/605–608, 629, 709;
D9/702–706
CPC A45F 5/00; A45F 5/02; A45F 3/16;
A45F 3/04; A45F 3/042; B65D 8/14; B65D
23/08; B65D 81/38; B65D 30/08; B65D
33/16; F25D 3/08; A45C 11/20

DESCRIPTION

FIG. 1 is a perspective view showing my new cooler;
FIG. 2 is a right side view thereof;
FIG. 3 is a left view thereof;
FIG. 4 is a back view thereof;
FIG. 5 is a front view thereof;
FIG. 6 is a top view thereof; and,
FIG. 7 is a bottom view thereof.

See application file for complete search history.

1 Claim, 6 Drawing Sheets



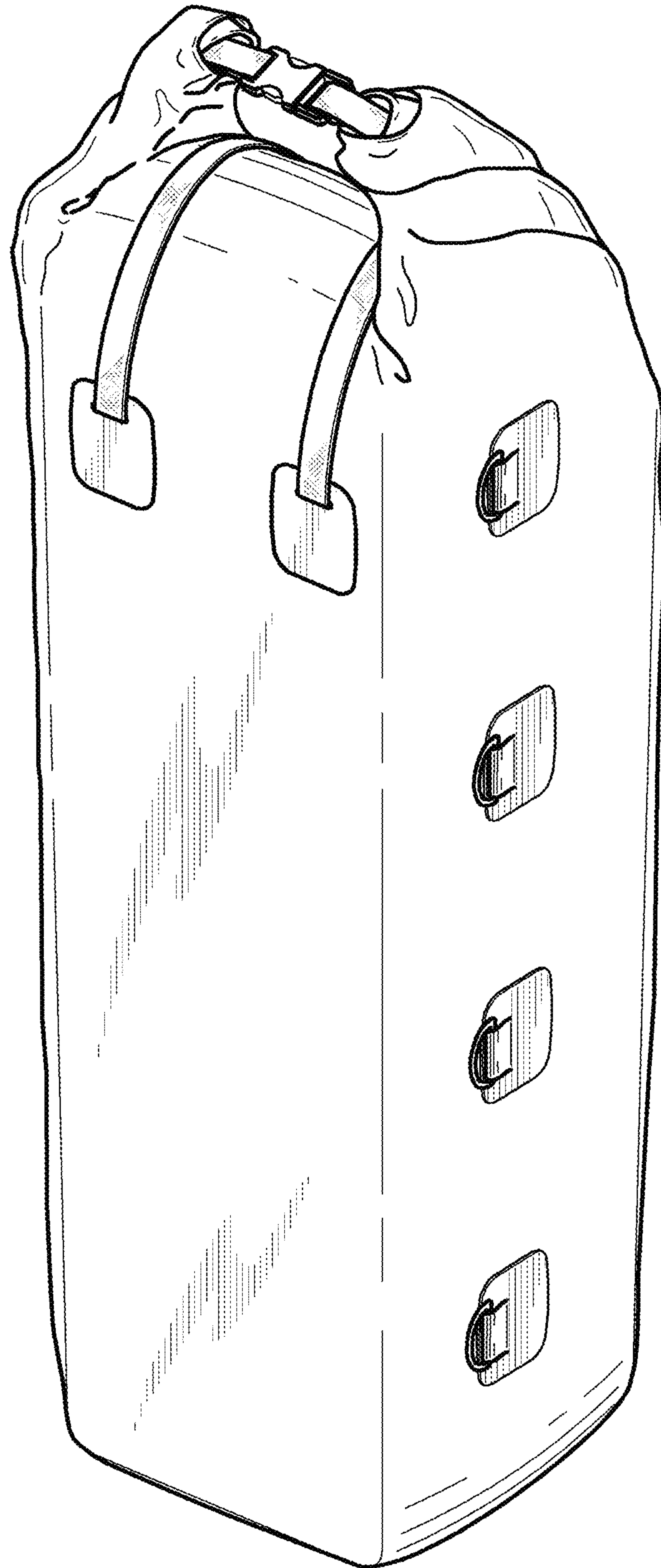


FIG. 1

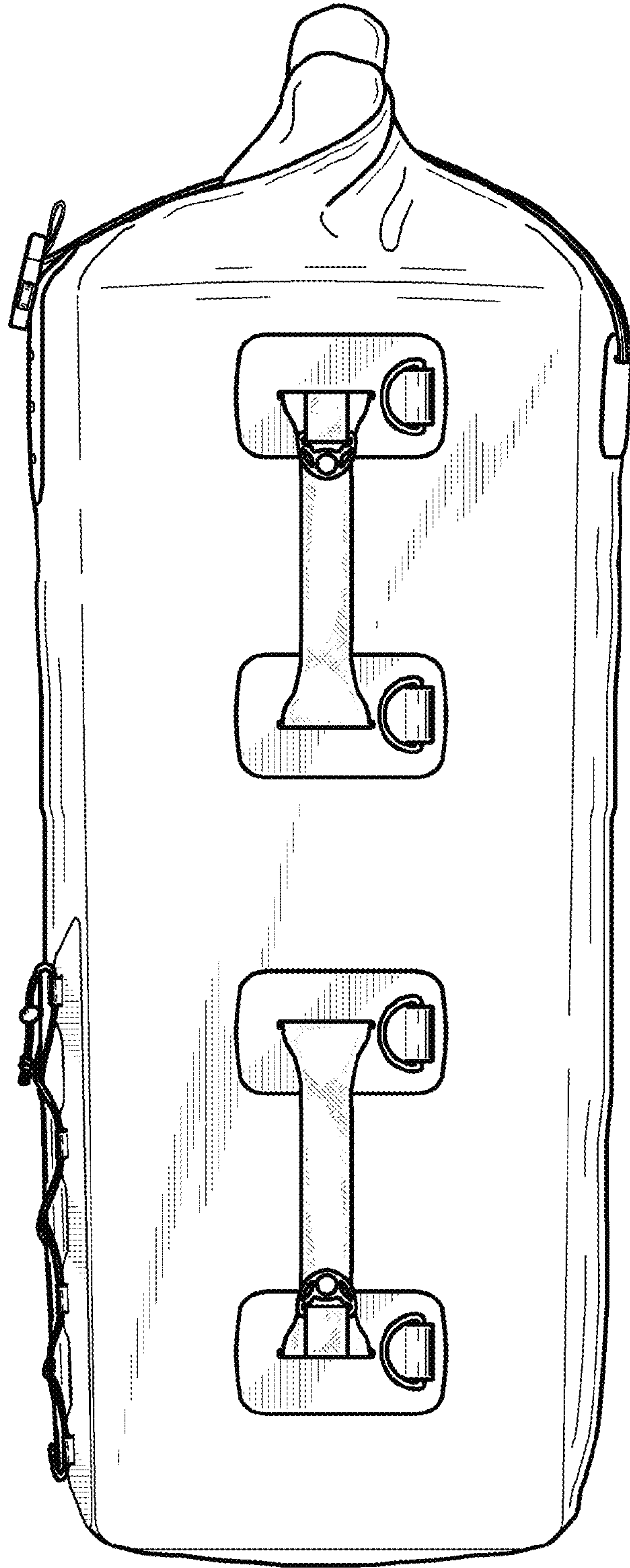


FIG. 2

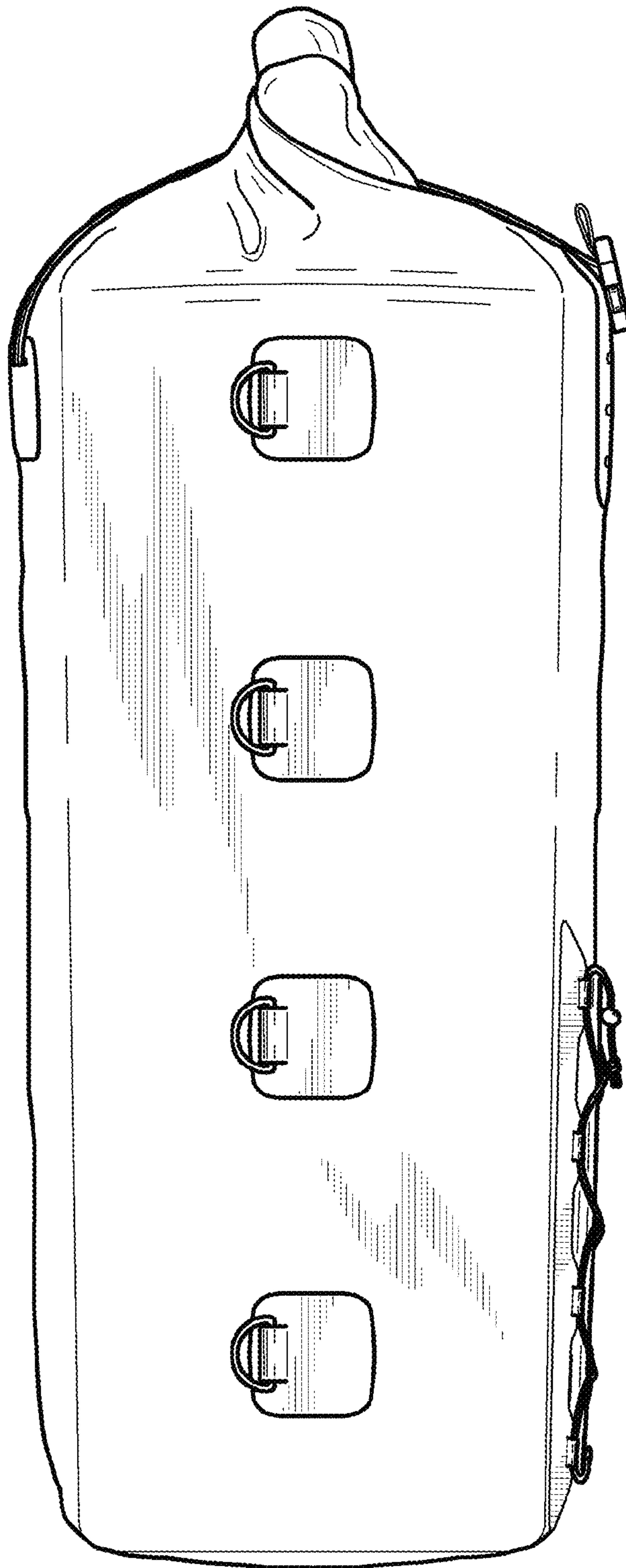


FIG. 3

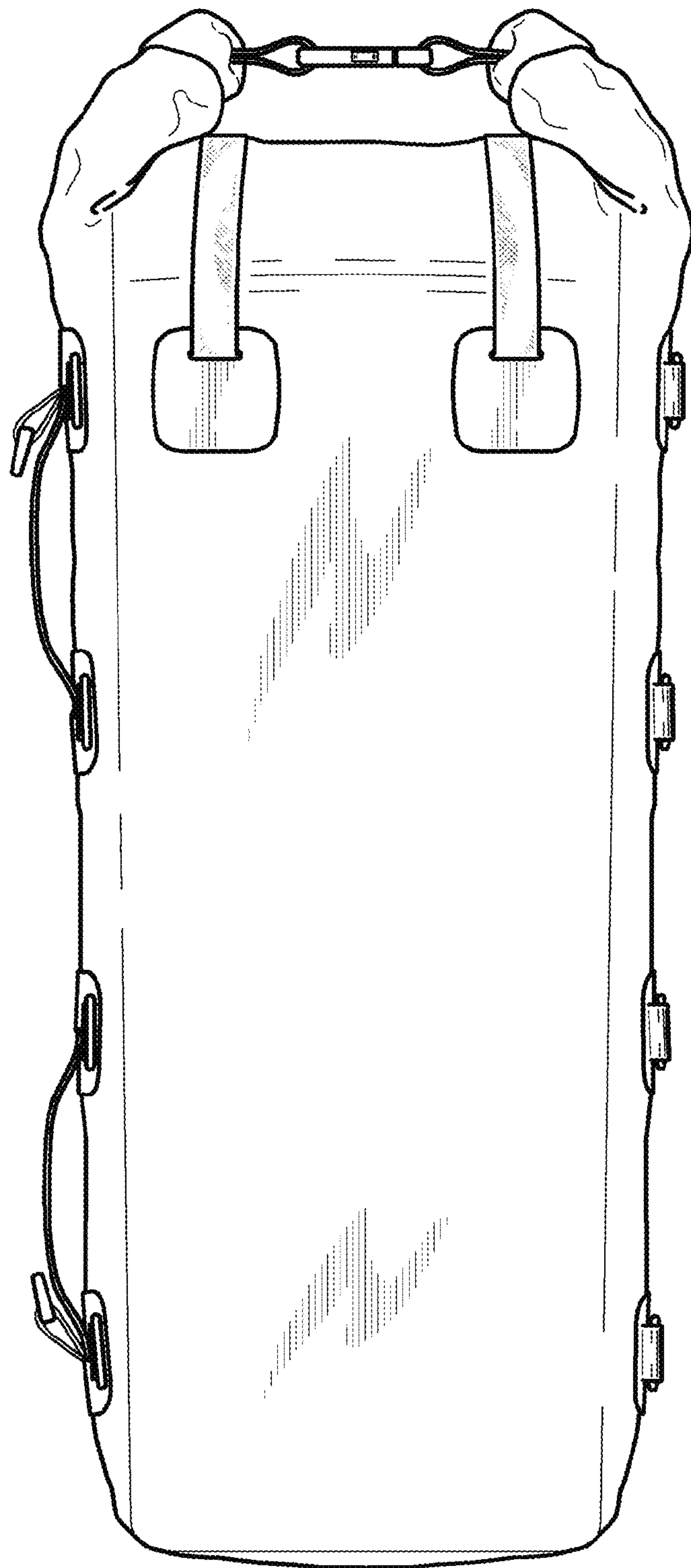


FIG. 4

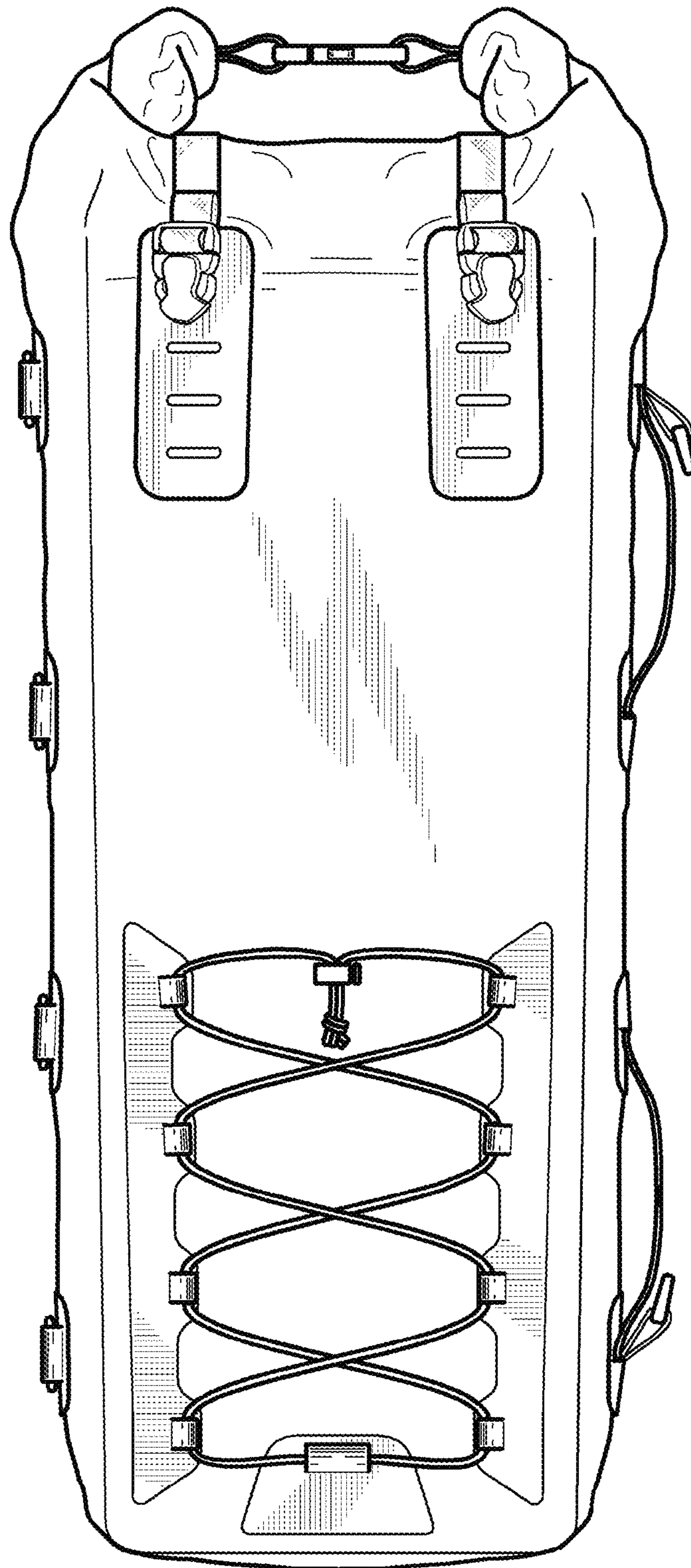


FIG. 5

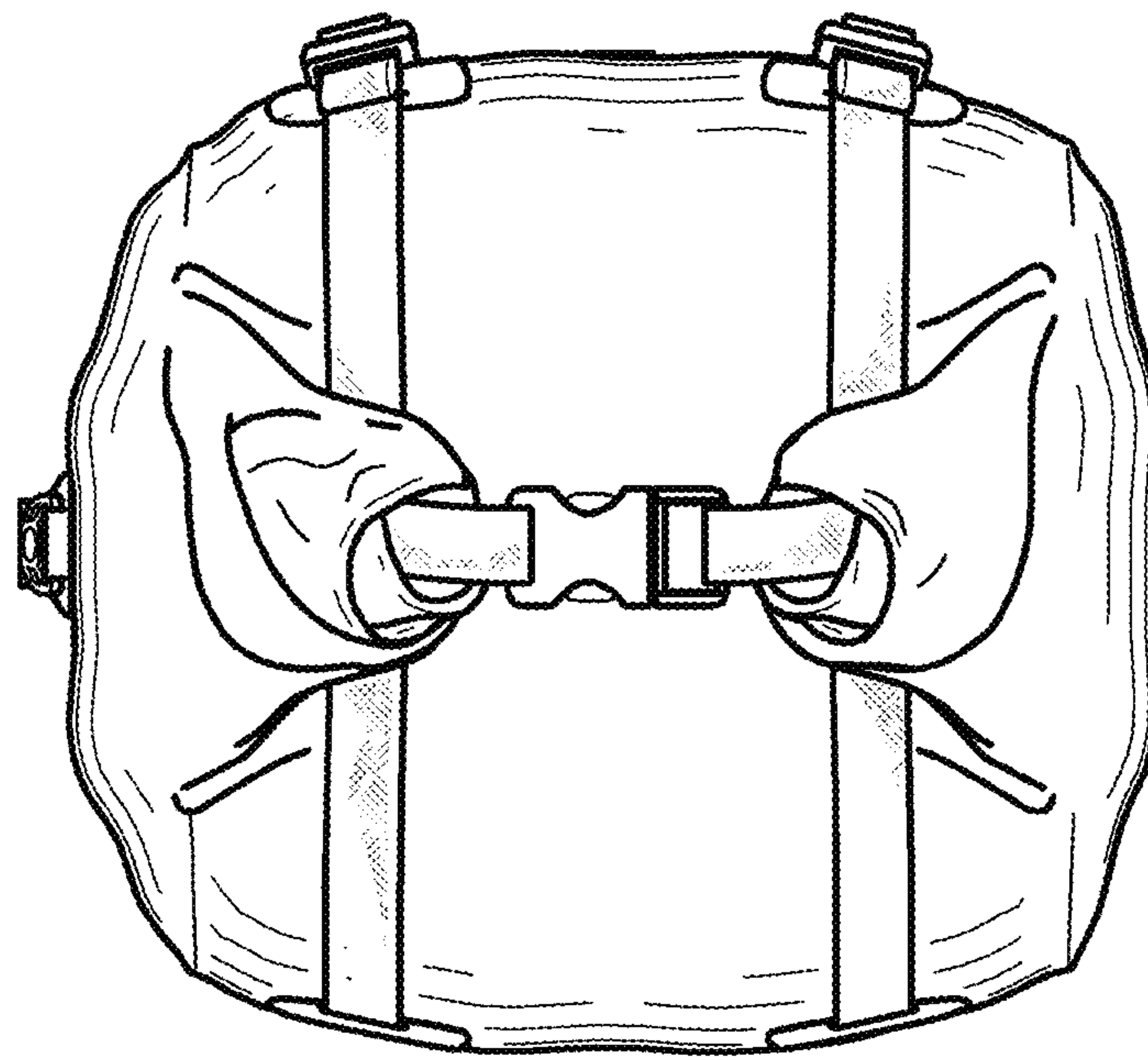


FIG. 6

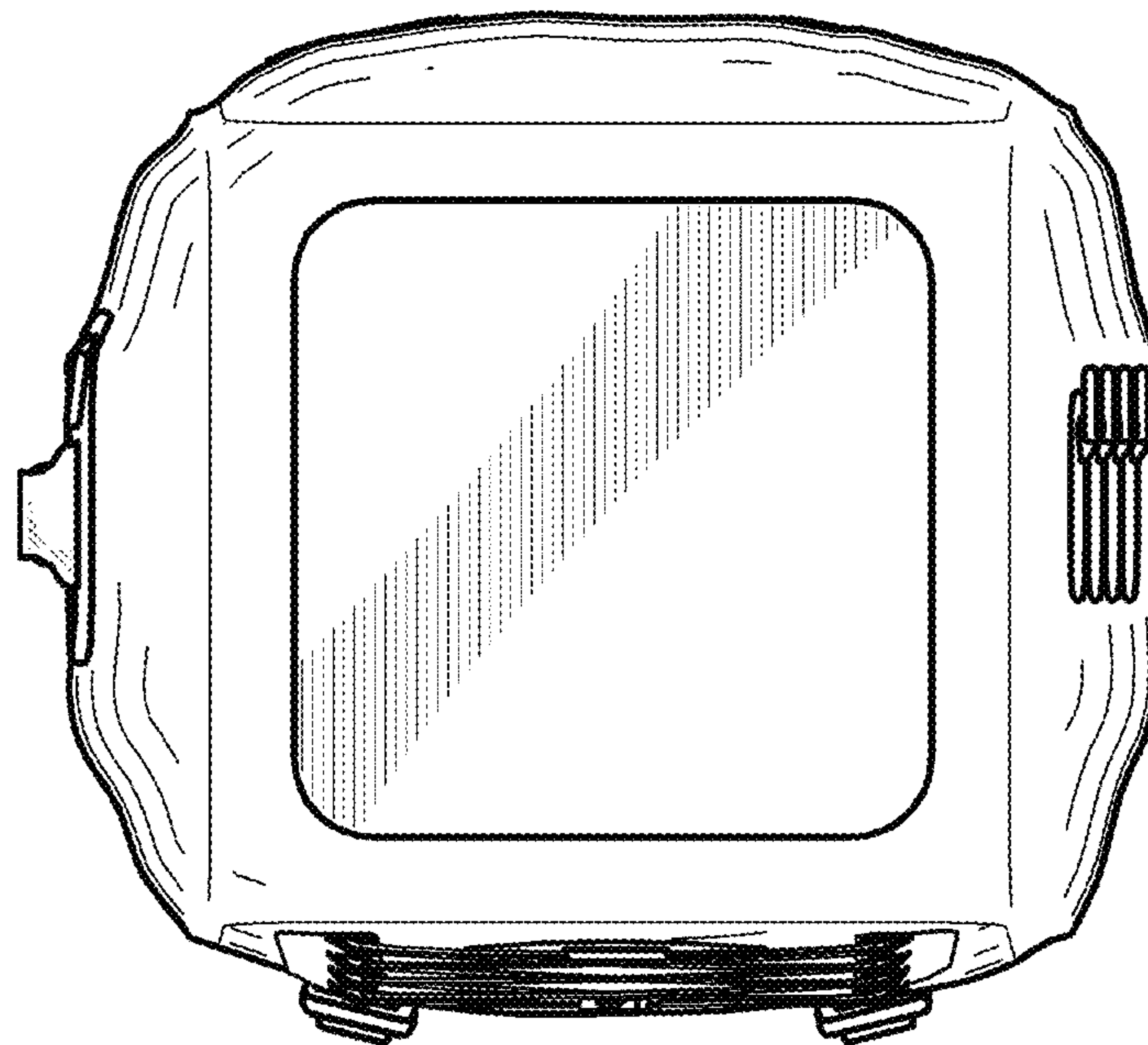


FIG. 7