



US00D764870S

(12) **United States Design Patent** (10) **Patent No.:** **US D764,870 S**  
**Choi** (45) **Date of Patent:** **\*\* Aug. 30, 2016**

(54) **BEVERAGE CONTAINER**  
(71) Applicant: **Eliza Happy Choi**, Irvine, CA (US)  
(72) Inventor: **Eliza Happy Choi**, Irvine, CA (US)  
(\*\*) Term: **14 Years**  
(21) Appl. No.: **29/507,912**  
(22) Filed: **Oct. 31, 2014**  
(51) **LOC (10) Cl.** ..... **07-01**  
(52) **U.S. Cl.**  
USPC ..... **D7/536; D7/511; D7/532; D7/533;**  
**D7/507**  
(58) **Field of Classification Search**  
USPC ..... **D7/507-520, 523, 532, 533, 534, 535,**  
**D7/536, 300, 310, 300.2, 608, 319;**  
**241/38; 220/259.3, 375; D9/516, 517,**  
**D9/504**  
CPC ..... **A47G 19/2205; A47G 19/2227;**  
**A47G 23/03; A47J 41/0083; B60N 3/103;**  
**B65D 51/18; B65D 55/16**  
See application file for complete search history.

(56) **References Cited**

**U.S. PATENT DOCUMENTS**

4,040,549 A \* 8/1977 Sadler ..... B60N 3/103  
215/376  
D258,795 S \* 4/1981 Zamorski ..... D7/536  
D289,143 S \* 4/1987 Guillaume ..... D9/445  
D302,634 S \* 8/1989 Segal ..... D7/536  
D312,045 S \* 11/1990 Killingsworth, III ..... D7/511  
D323,758 S \* 2/1992 Hoelterscheidt ..... D7/317  
D327,818 S \* 7/1992 Haralson ..... D24/197  
D331,684 S \* 12/1992 Trombley ..... D7/533  
D338,407 S \* 8/1993 Lynd ..... D7/511  
D363,414 S \* 10/1995 Goto ..... D7/511  
D363,642 S \* 10/1995 Goto ..... D7/511  
5,531,353 A \* 7/1996 Ward ..... A47G 19/2227  
220/23.86  
D407,946 S \* 4/1999 Brewer ..... D7/507  
D416,444 S \* 11/1999 Jørgensen ..... D7/533  
D488,961 S \* 4/2004 Moran ..... D7/608  
D493,332 S \* 7/2004 Bin ..... D7/318

D496,222 S \* 9/2004 Kleckauskas ..... D7/507  
D505,831 S \* 6/2005 Liu ..... D7/510  
D547,121 S \* 7/2007 Friedman ..... D7/511  
D564,269 S \* 3/2008 Paal ..... D6/518  
D572,136 S \* 7/2008 Boni ..... D9/503  
D594,687 S \* 6/2009 Bodum ..... D7/300  
D651,854 S \* 1/2012 Cabados ..... D7/510  
D665,231 S \* 8/2012 Pola ..... D7/507  
D680,792 S \* 4/2013 Bodum ..... D7/317

(Continued)

*Primary Examiner* — Marianne Pandozzi  
*Assistant Examiner* — Jae Liang  
(74) *Attorney, Agent, or Firm* — Fish & Tsang, LLP

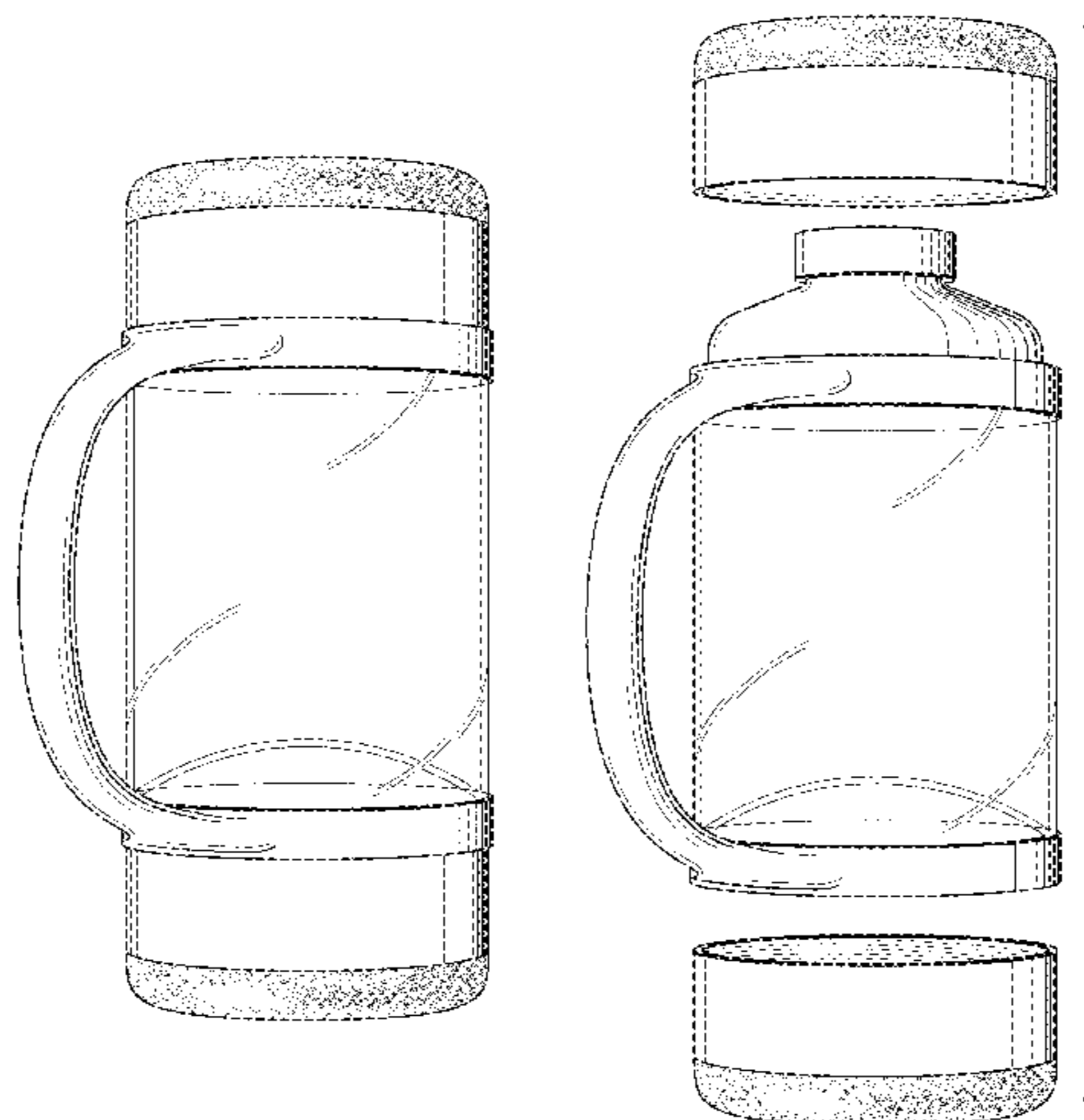
(57) **CLAIM**

The ornamental design for a beverage container, as shown and described.

**DESCRIPTION**

FIG. 1 is a front, right side perspective view of a first embodiment of a beverage container showing my new design;  
FIG. 2 is a front elevational view thereof;  
FIG. 3 is a left side elevational view thereof; the right side elevational view being a mirror image thereof;  
FIG. 4 is a rear elevational view thereof;  
FIG. 5 is a top plan view thereof; the bottom plan view being a mirror image thereof;  
FIG. 6 is a front, right side exploded view thereof;  
FIG. 7 is a front, right side perspective view of a second embodiment of the beverage container;  
FIG. 8 is a front, right side perspective view of a third embodiment of the beverage container;  
FIG. 9 is a front, right side perspective view of a fourth embodiment of the beverage container;  
FIG. 10 is a front, right side perspective view of a fifth embodiment of the beverage container; and,  
FIG. 11 is a front, right side perspective view of a sixth embodiment of the beverage container.  
The broken lines in the drawing depict portions of the beverage container that form no part of the claimed design.

**1 Claim, 7 Drawing Sheets**



# US D764,870 S

Page 2

---

(56)

## References Cited

### U.S. PATENT DOCUMENTS

D699,516 S *	2/2014	Kim	.....	D7/510	D731,244 S *	6/2015	Kohl	.....	D7/510
D719,028 S *	12/2014	Tiet	.....	D9/531	D734,087 S *	7/2015	Melzer	.....	D7/317
9,010,953 B1 *	4/2015	Wells	.....	F21V 33/00596 362/101	D745,799 S *	12/2015	Lipson	.....	D7/300
					D747,619 S *	1/2016	Hampton	.....	D7/316
					2013/0341443 A1 *	12/2013	Stephenson	.....	B65D 11/02 241/38

\* cited by examiner

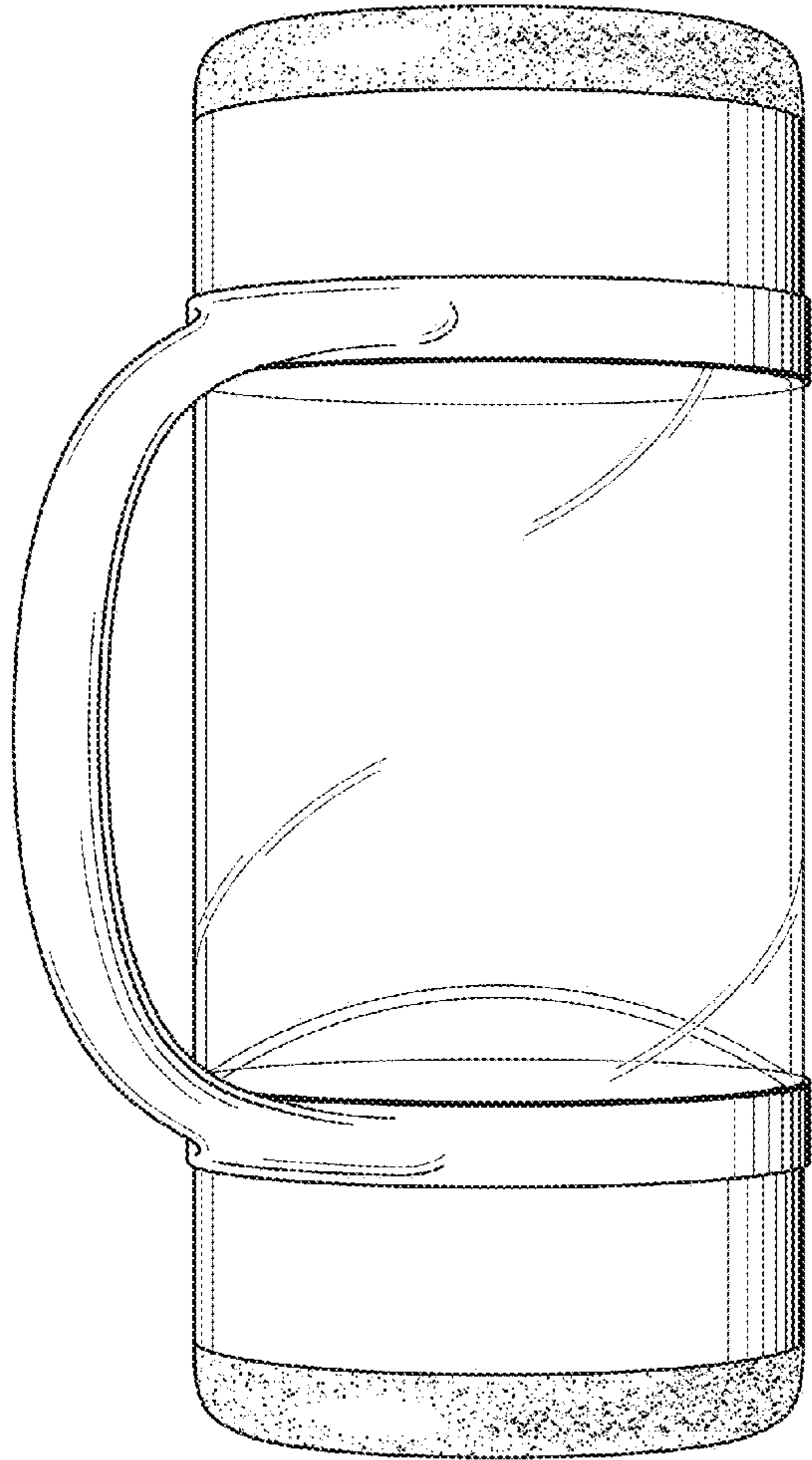


FIG. 1

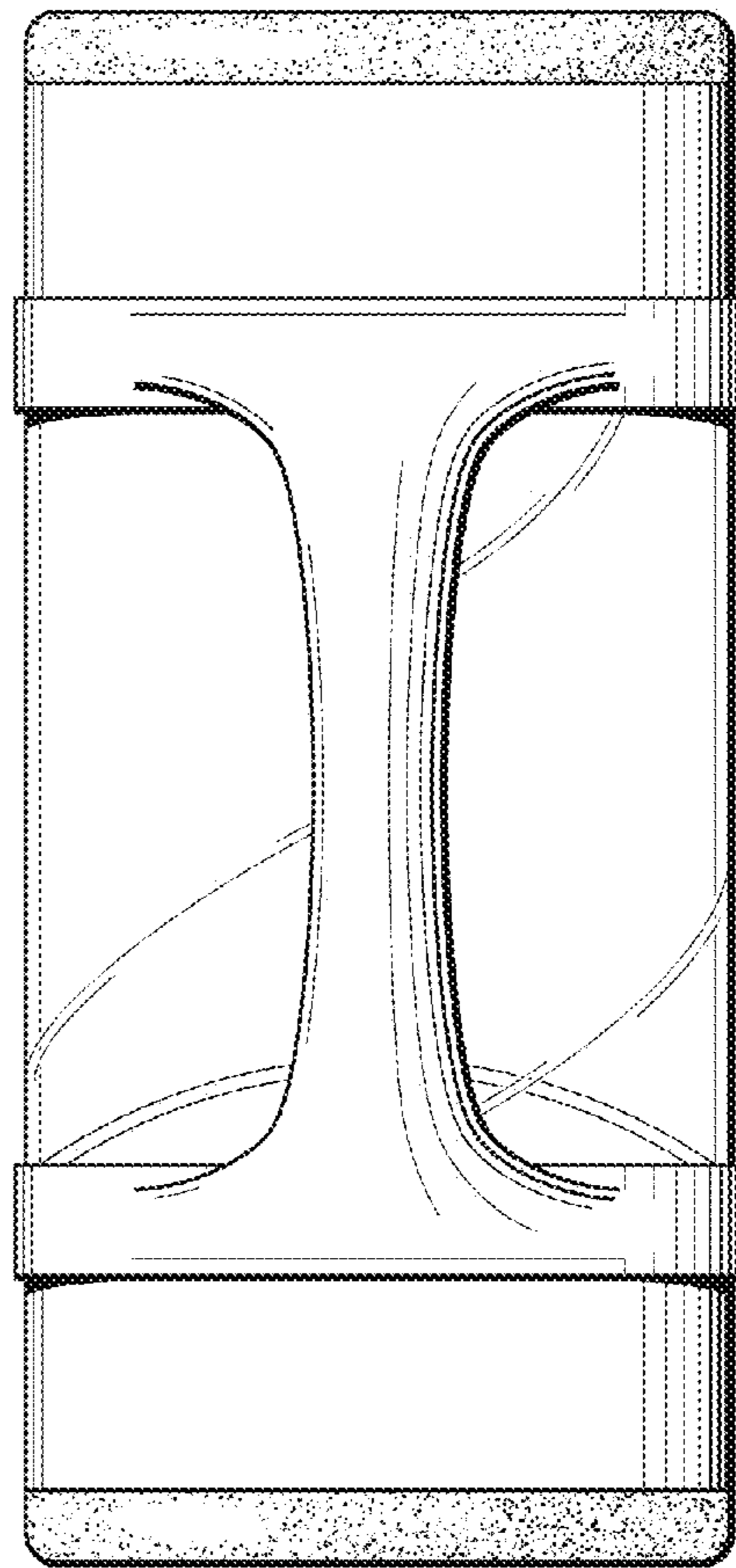


FIG. 2

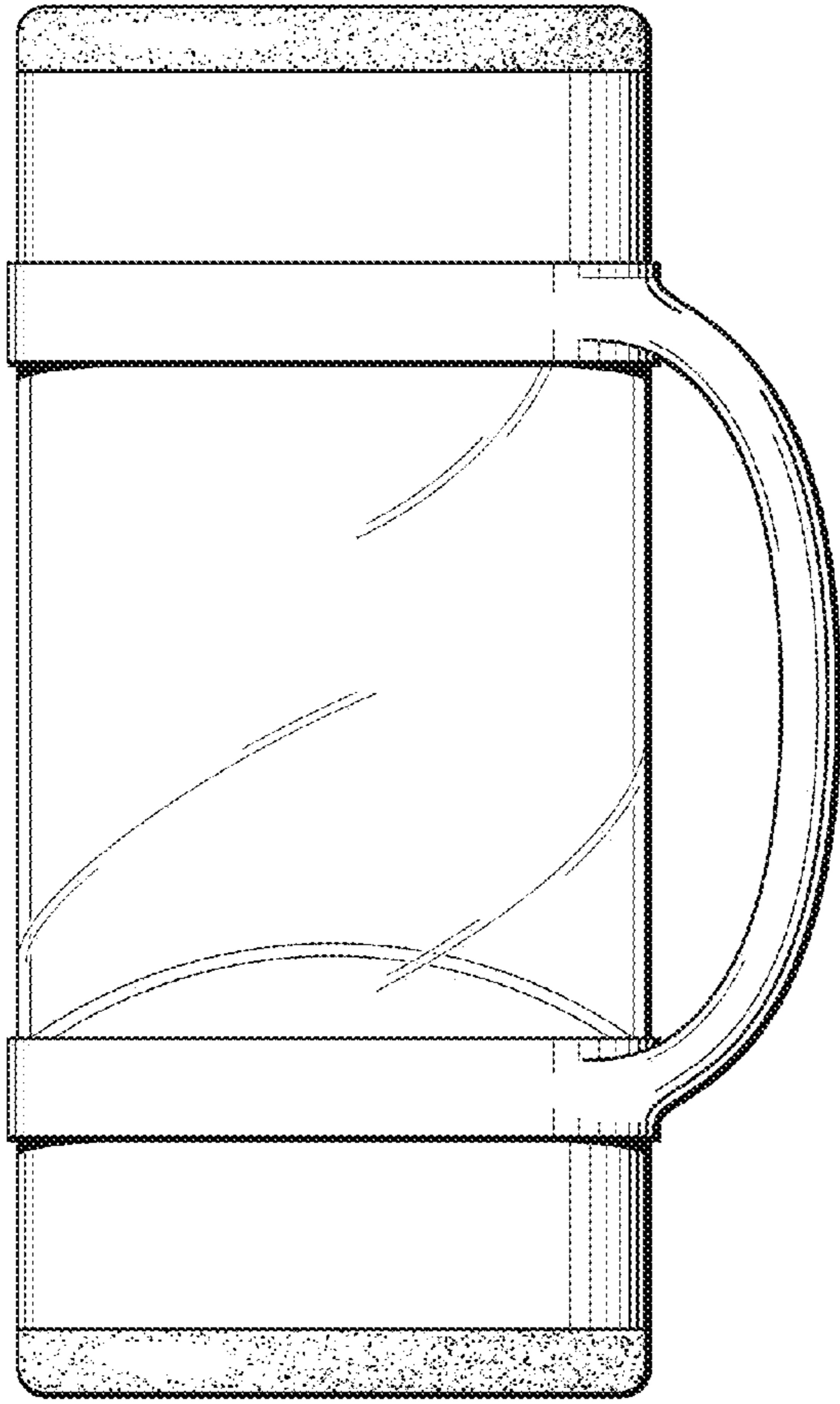


FIG. 3

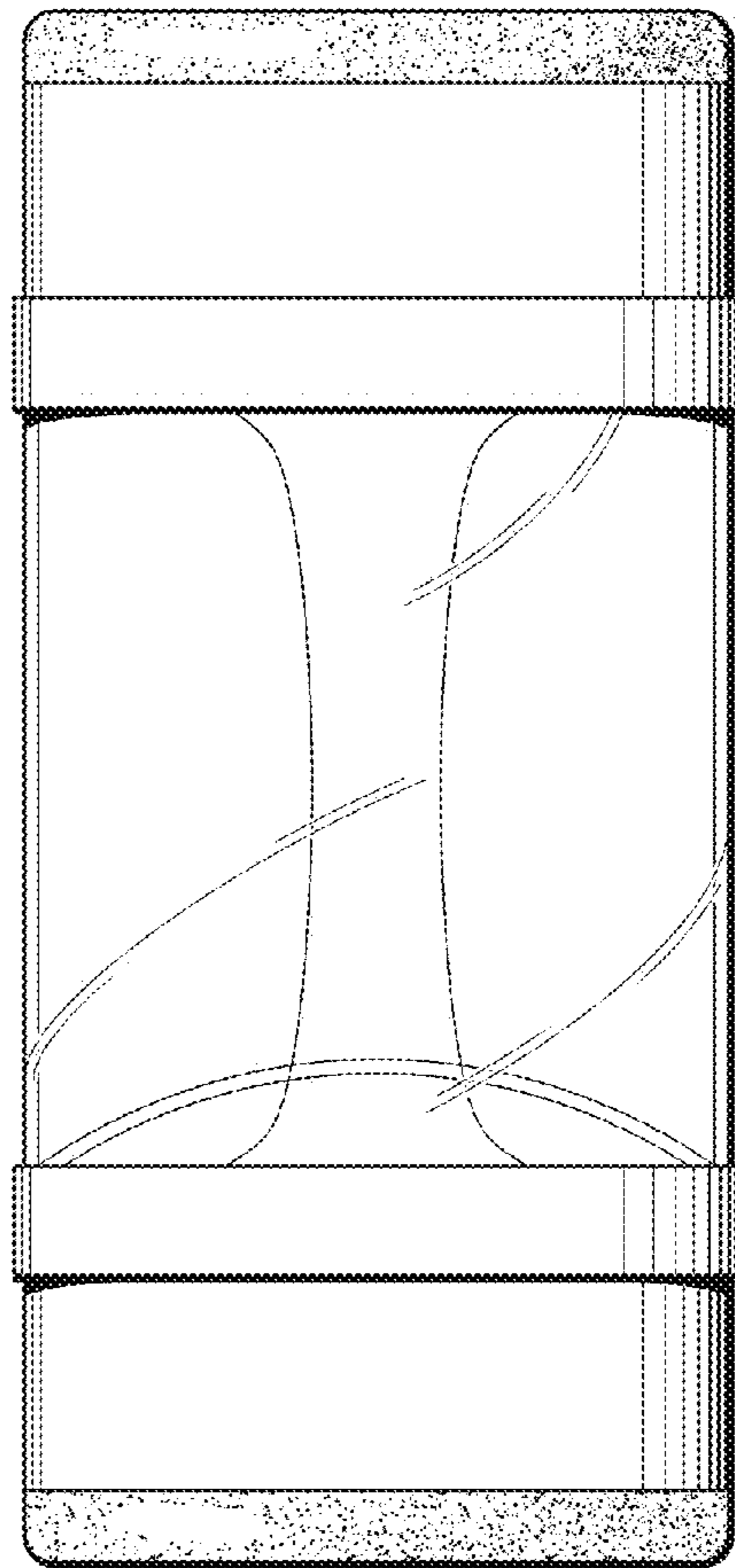


FIG. 4

FIG. 5

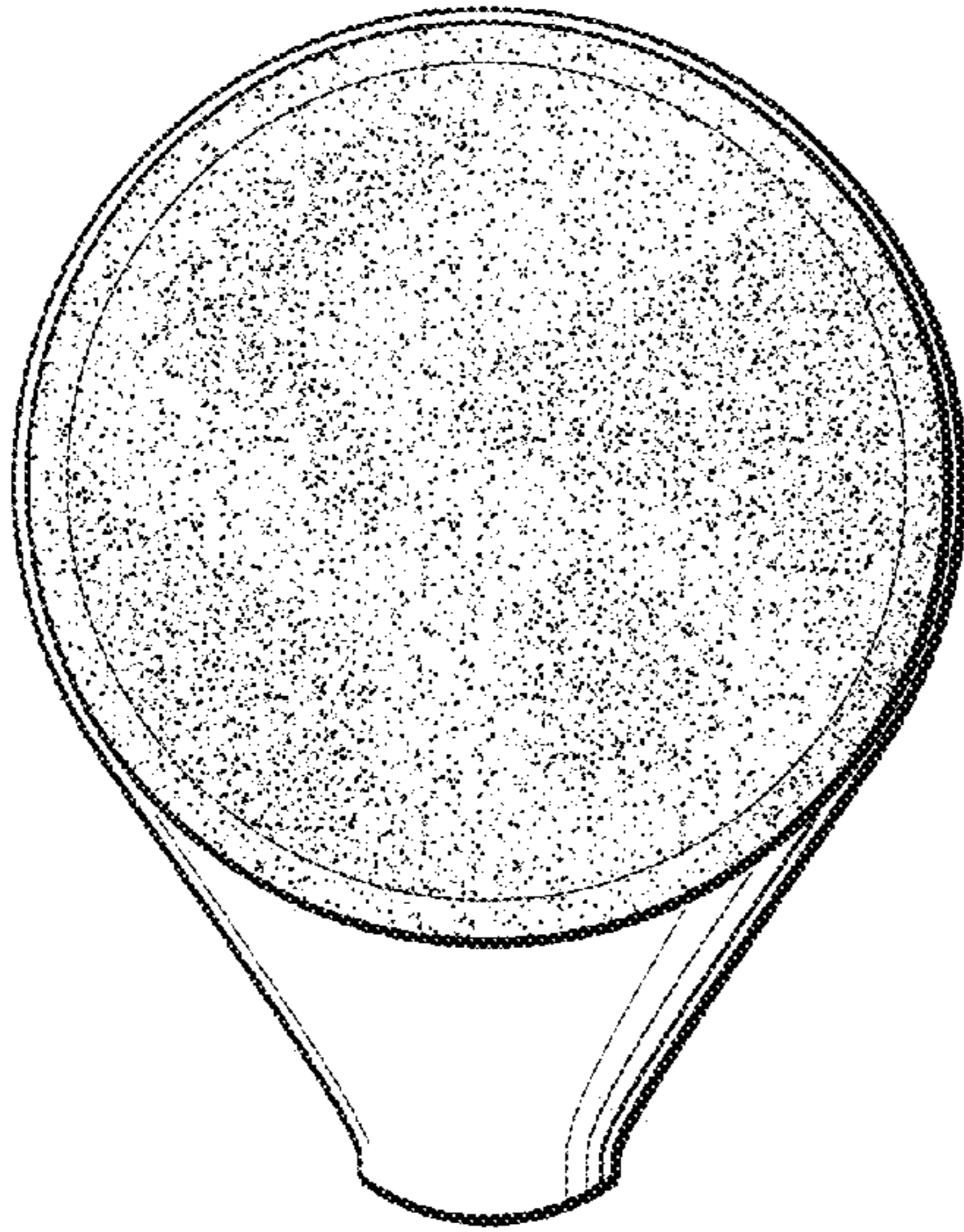
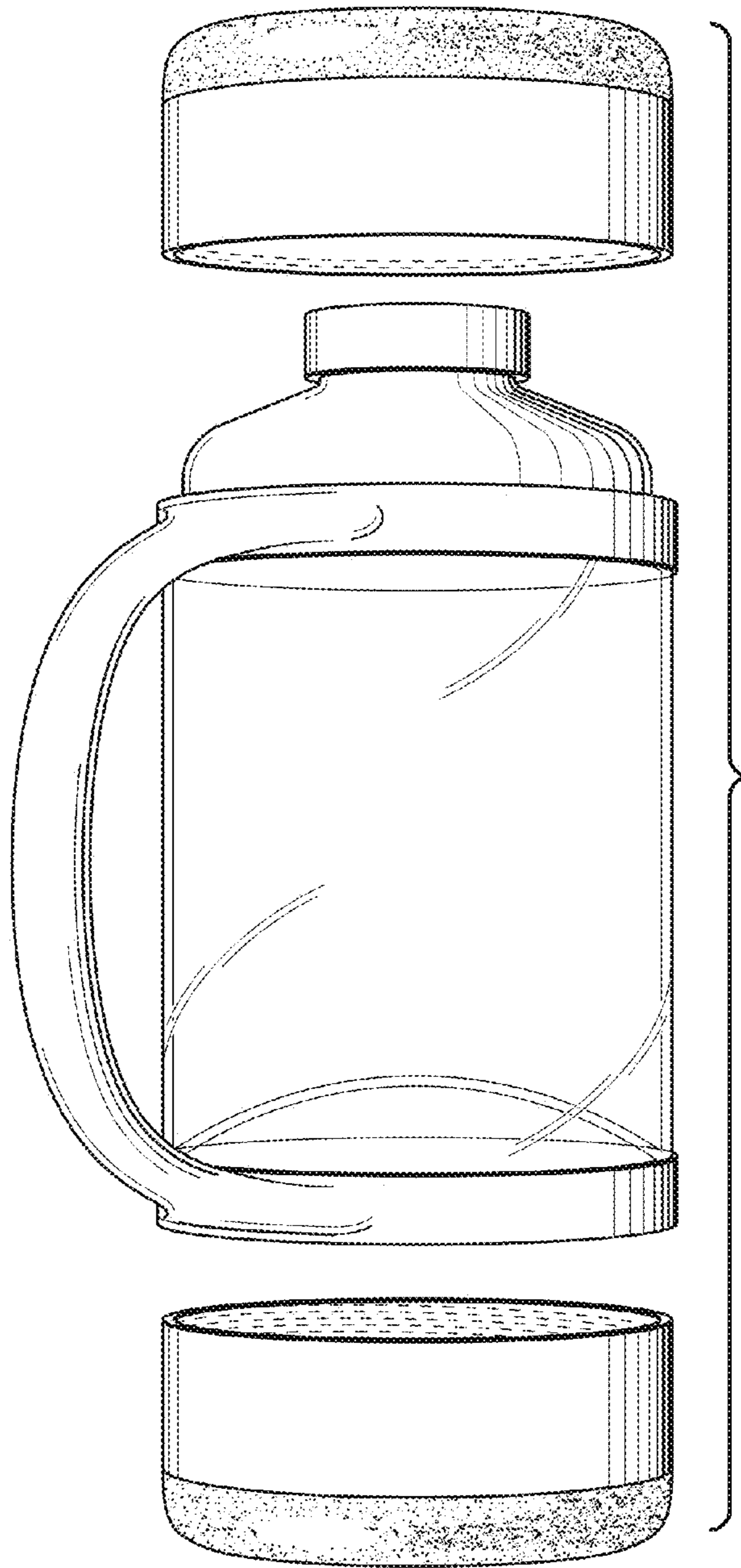
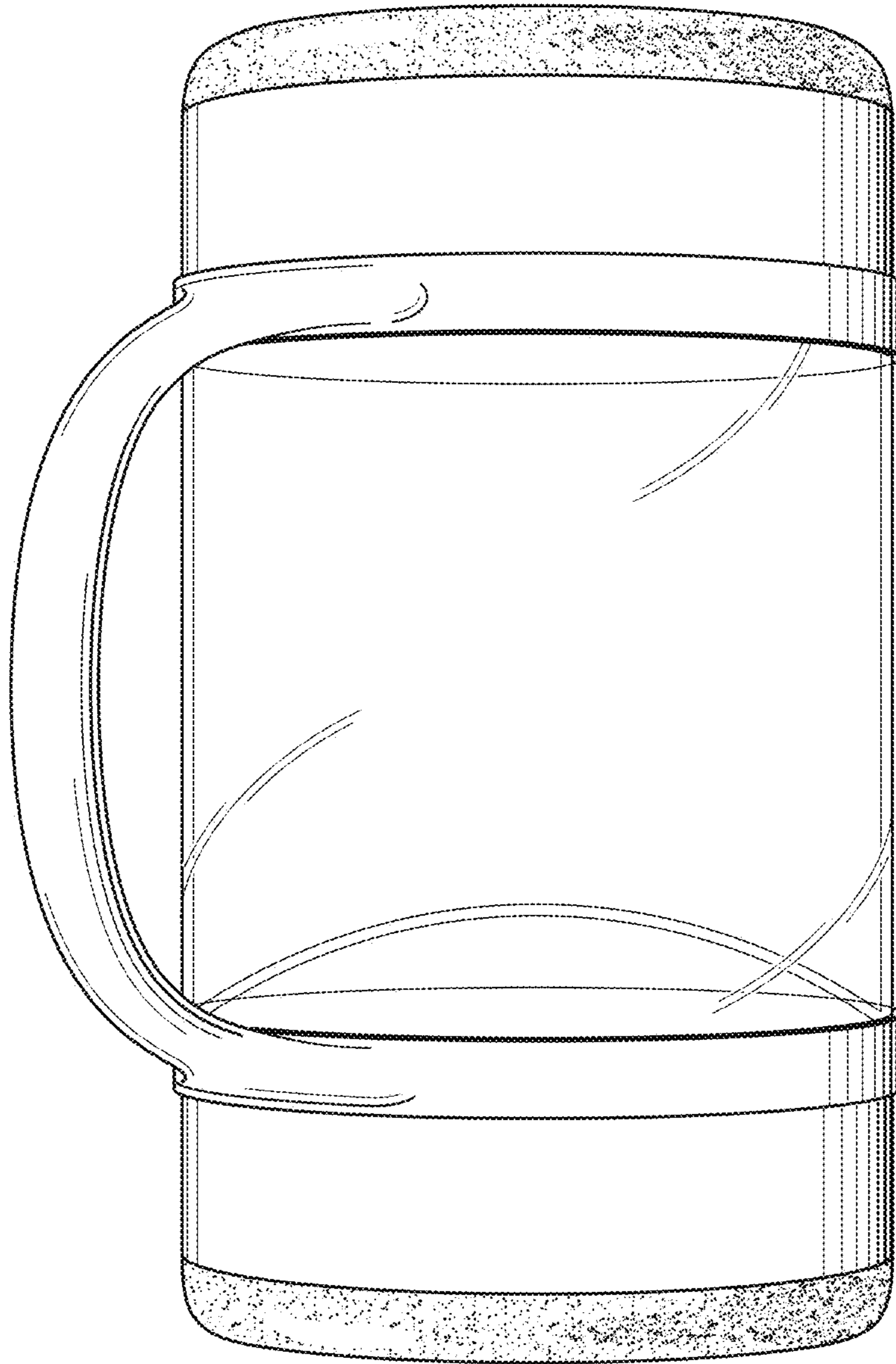


FIG. 6





*FIG. 7*

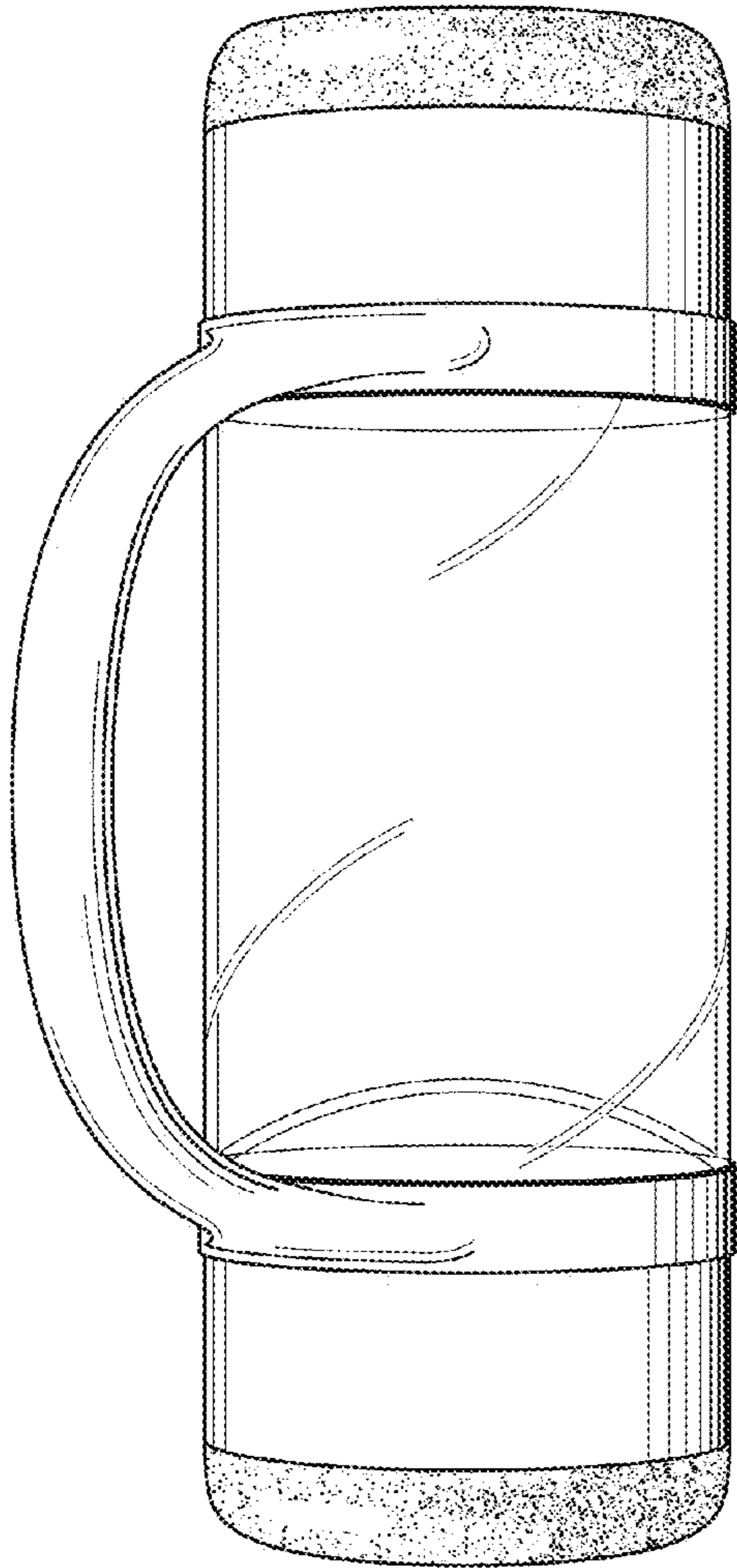


FIG. 8

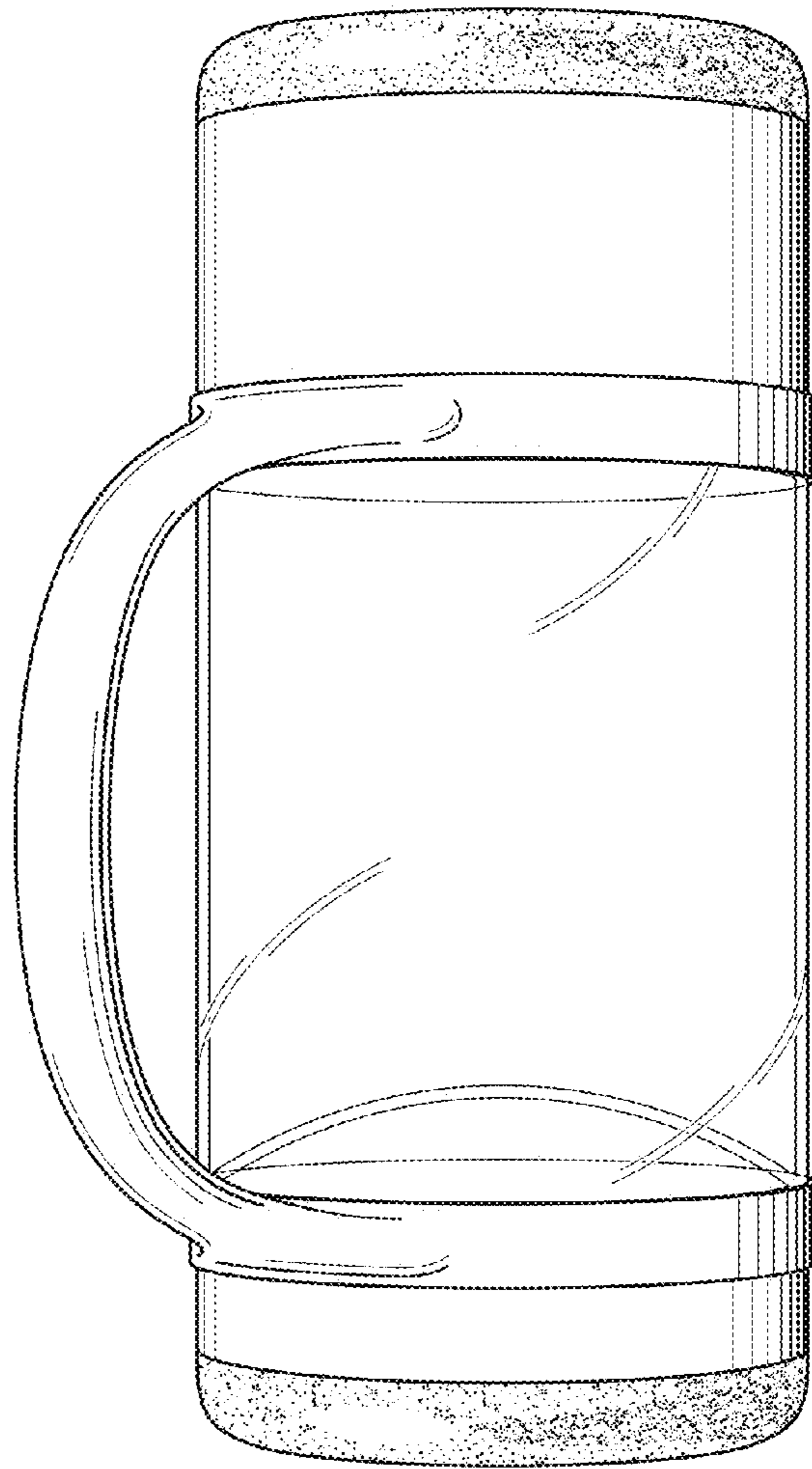
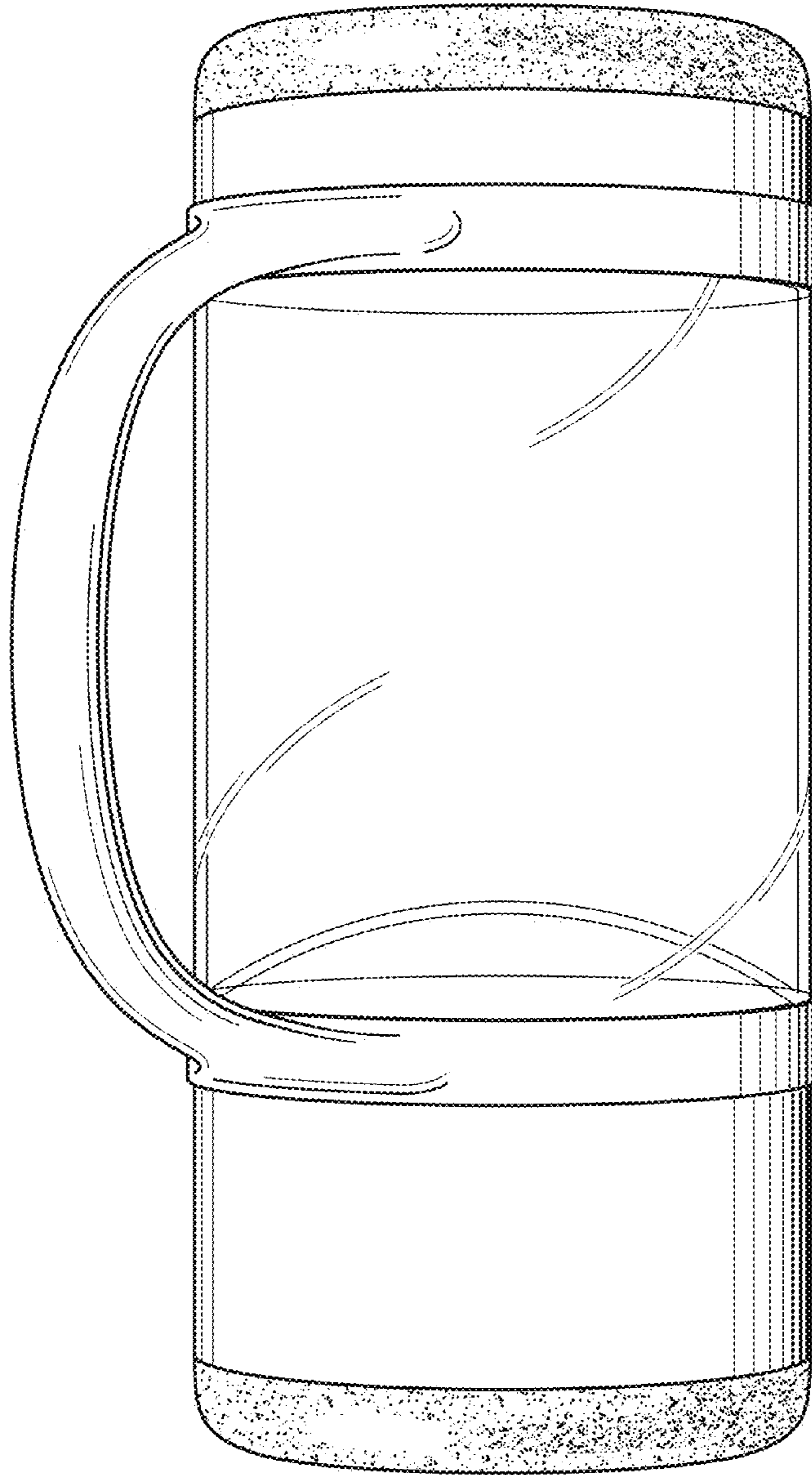
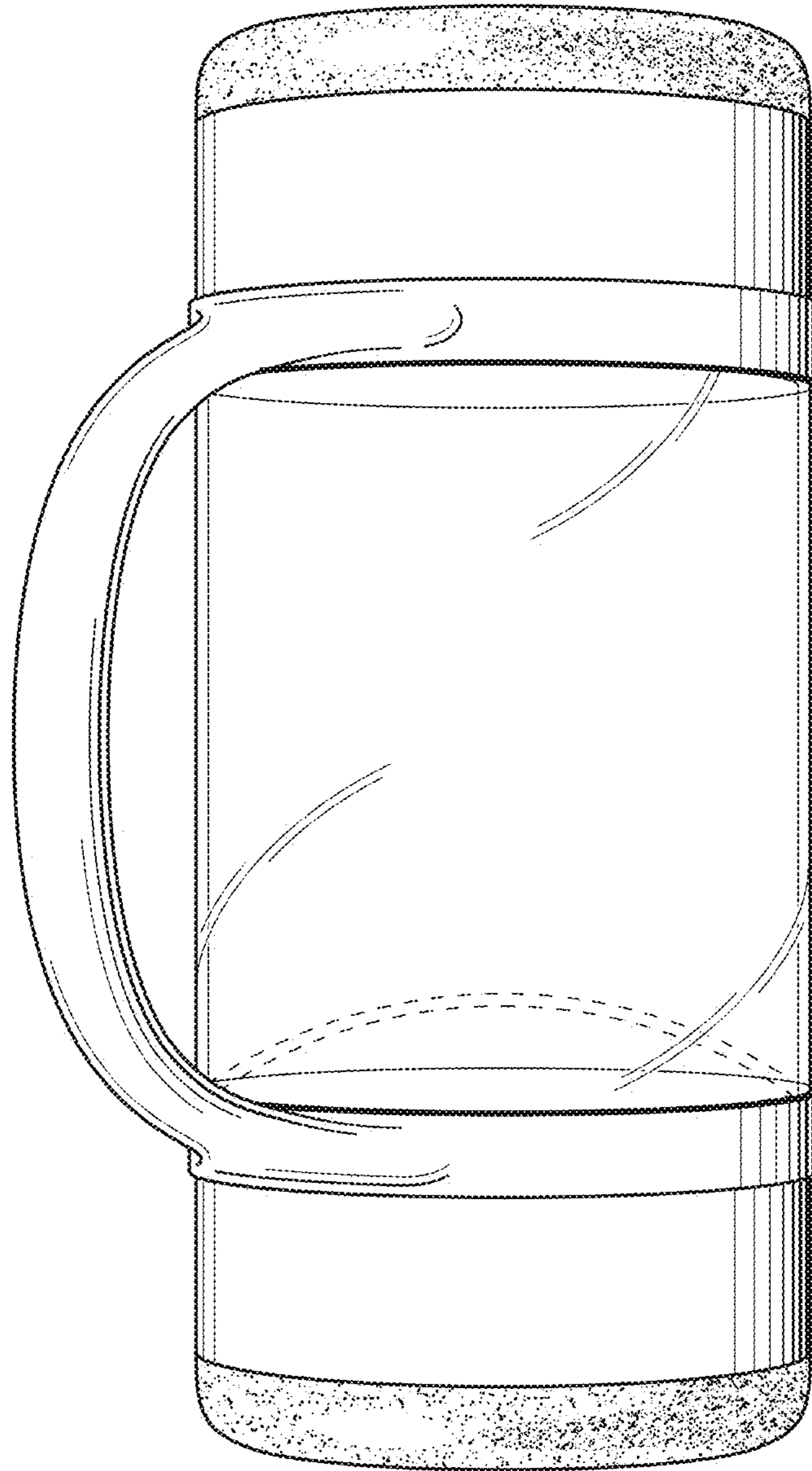


FIG. 9



*FIG. 10*





*FIG. 11*