



US00D764866S

(12) **United States Design Patent**  
**Hertaus**

(10) **Patent No.:** **US D764,866 S**  
(45) **Date of Patent:** **\*\* Aug. 30, 2016**

(54) **POUR OVER FILTER SUPPORT**  
(71) Applicant: **Jacob Hertaus**, Minneapolis, MN (US)  
(72) Inventor: **Jacob Hertaus**, Minneapolis, MN (US)  
(73) Assignee: **Vision Home Products, Inc.**, Le Sueur, MN (US)  
(\*\*) Term: **14 Years**

D642,433 S \* 8/2011 Tuan ..... D7/400  
8,221,813 B2 \* 7/2012 Boul ..... A47J 31/08  
210/455  
D694,579 S \* 12/2013 Khubani ..... D7/400  
D717,110 S \* 11/2014 De Leo ..... D7/399  
D717,594 S \* 11/2014 Taketani ..... D7/399  
D729,005 S \* 5/2015 Lee ..... D7/399

(21) Appl. No.: **29/517,381**  
(22) Filed: **Feb. 12, 2015**  
(51) **LOC (10) Cl.** ..... **07-99**  
(52) **U.S. Cl.**  
USPC ..... **D7/400**  
(58) **Field of Classification Search**  
USPC ..... D7/400, 398, 399; D11/154, 152;  
D3/304, 306; D23/209; 99/279, 316,  
99/303, 290, 323, 300, 295, 306; 210/455,  
210/474; 426/435  
CPC ..... A47J 31/00; A47J 31/44; A47J 31/057;  
A47J 47/00; A47J 47/16; A47J 31/446;  
A47J 31/0631; B01D 35/28; A47G 19/00;  
A47G 19/14  
See application file for complete search history.

**FOREIGN PATENT DOCUMENTS**

GB 2351012 A 12/2000

**OTHER PUBLICATIONS**

Merlo, "Hario V60 Drip Filter 1 cup Merlo Coffee", <https://www.merlo.com.au/store/Product/1004240/hario-v60-drip-filter-1-cup>, last accessed Dec. 26, 2014.

(Continued)

*Primary Examiner* — Marianne Pandozzi

(74) *Attorney, Agent, or Firm* — Haugen Law Firm PLLP

(57) **CLAIM**

The ornamental design for a pour over filter support, as shown and described.

**DESCRIPTION**

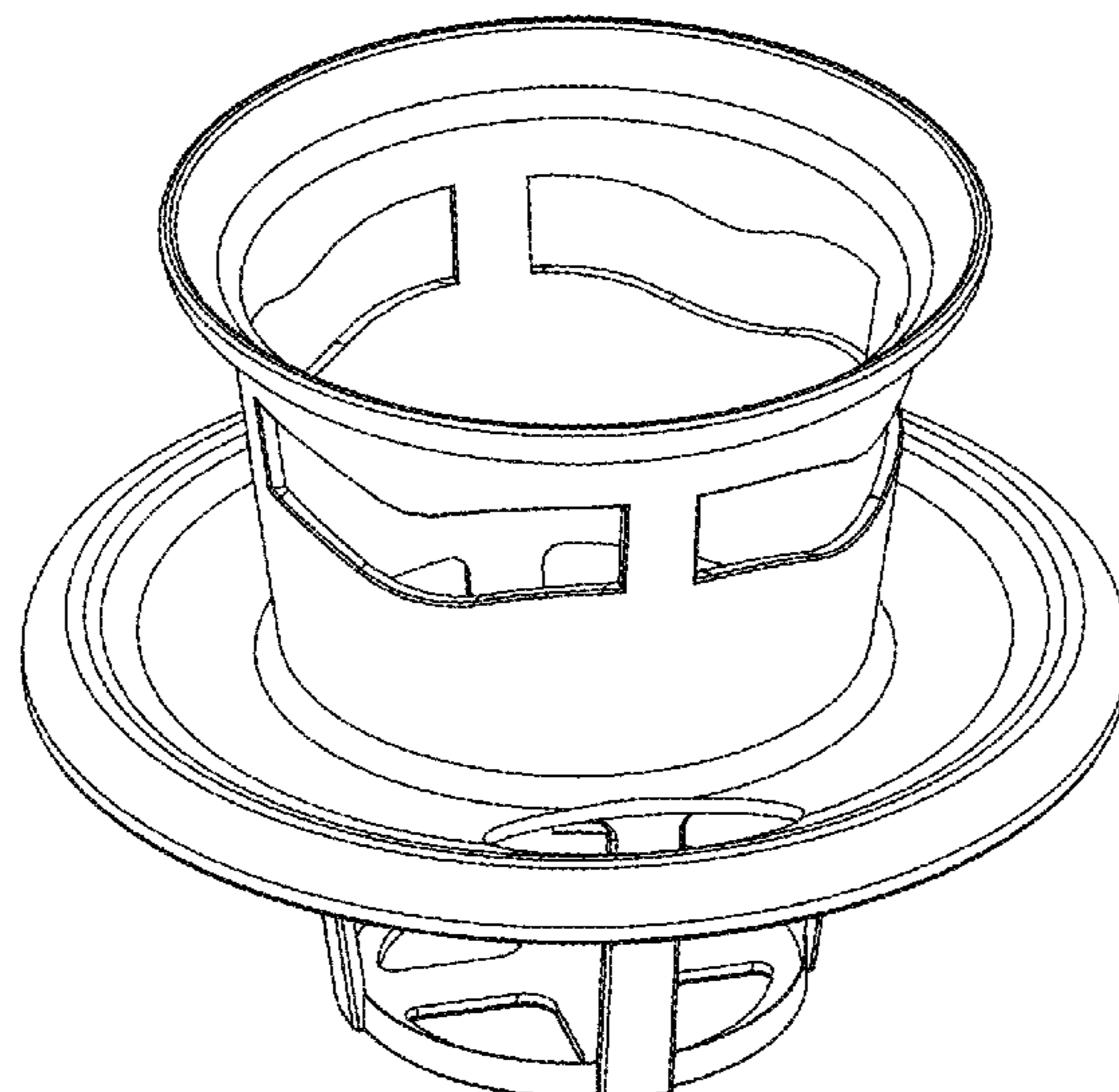
FIG. 1 is a perspective view of the pour over filter support of the present invention;  
FIG. 2 is a left side view of the pour over filter support shown in FIG. 1,  
FIG. 3 is a right side view of the pour over filter support shown in FIG. 1;  
FIG. 4 is a front view of the pour over filter support shown in FIG. 1;  
FIG. 5 is a back view of the pour over filter support shown in FIG. 1;  
FIG. 6 is a top plan view of the pour over filter support shown in FIG. 1; and,  
FIG. 7 is a bottom plan view of the pour over filter support shown in FIG. 1.

**1 Claim, 7 Drawing Sheets**

(56) **References Cited**

**U.S. PATENT DOCUMENTS**

2,257,944 A \* 10/1941 Fischbein ..... A47J 31/06  
210/497.3  
D226,531 S \* 3/1973 Beckman ..... 210/470  
D349,211 S \* 8/1994 Cerato ..... D7/400  
D386,043 S \* 11/1997 Chiag ..... D7/400  
D396,603 S \* 8/1998 Gasser ..... D7/400  
D447,911 S \* 9/2001 Jørgensen ..... D7/400  
D514,398 S \* 2/2006 Feil ..... D7/400  
D521,329 S \* 5/2006 Bodum ..... D7/400  
D524,599 S \* 7/2006 Bodum ..... D7/400  
D563,161 S \* 3/2008 Bodum ..... D7/399  
D565,350 S \* 4/2008 Gauger ..... D7/399



(56)

**References Cited**

OTHER PUBLICATIONS

Jeroen, Robert, "The Chaicoffski filter", <http://caffezine.com/the-chaicoffski-filter/2012/>, Apr. 21, 2012.

Sigg Aluminum, "GSI Outdoors H2JO Wide Mouth Thread Water Bottle/Coffee Maker", <http://www.sigg-aluminium.co.uk/other-brands/gsi-outdoors/gsi-outdoor...>, last accessed Dec. 26, 2014.

GSI Outdoors, "Collapsible Java Drip", [http://gsioutdoors.com/products/pdp/collapsible\\_java\\_drip/coffee](http://gsioutdoors.com/products/pdp/collapsible_java_drip/coffee), last accessed Dec. 26, 2014.

Teavana, Cool Touch Tea Strainer, <http://www.teavana.com/tea-products/tea-makers-infusers/p/cool-touch-t...>, last accessed Dec. 26, 2014.

\* cited by examiner

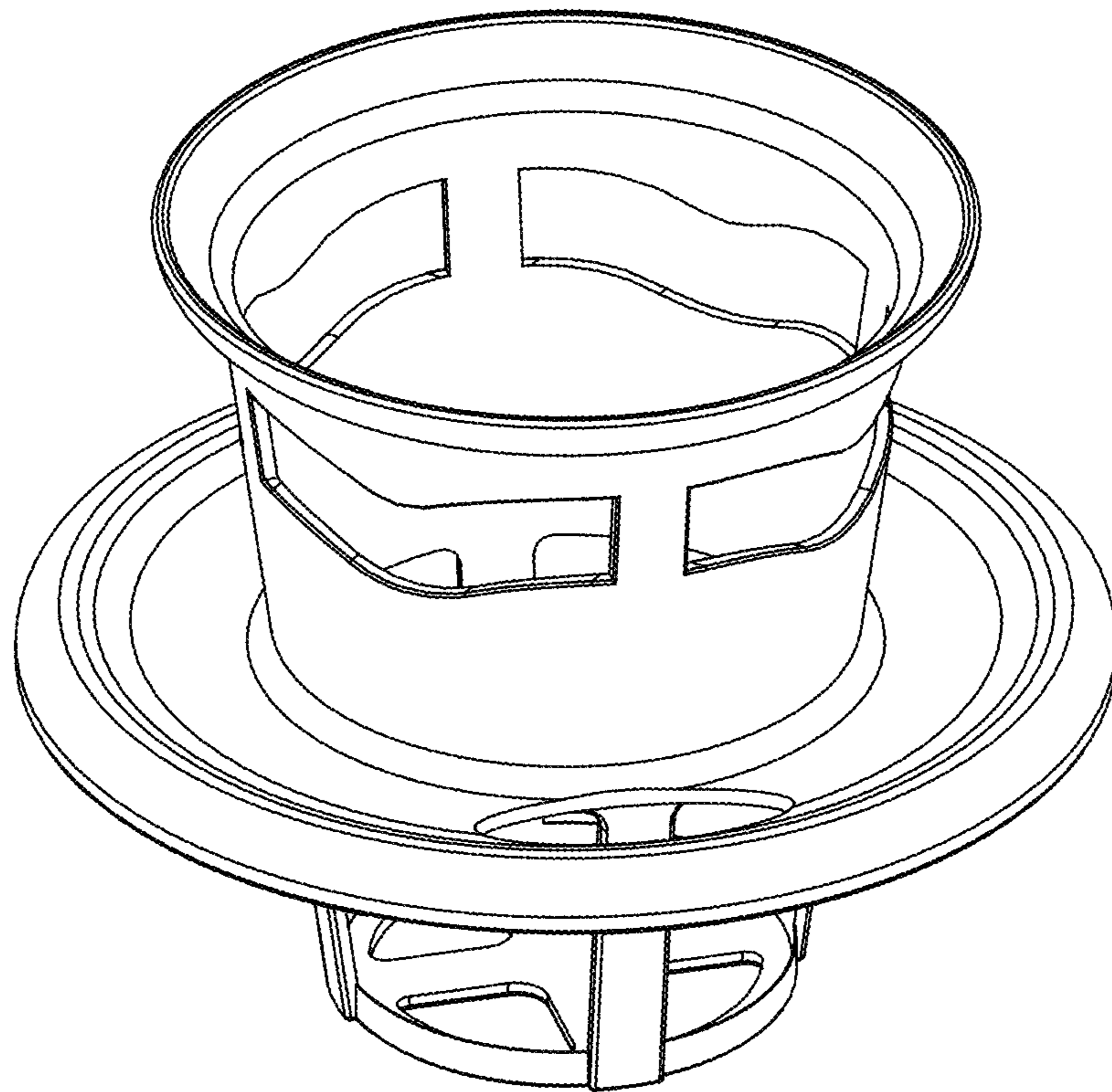


FIG. 1

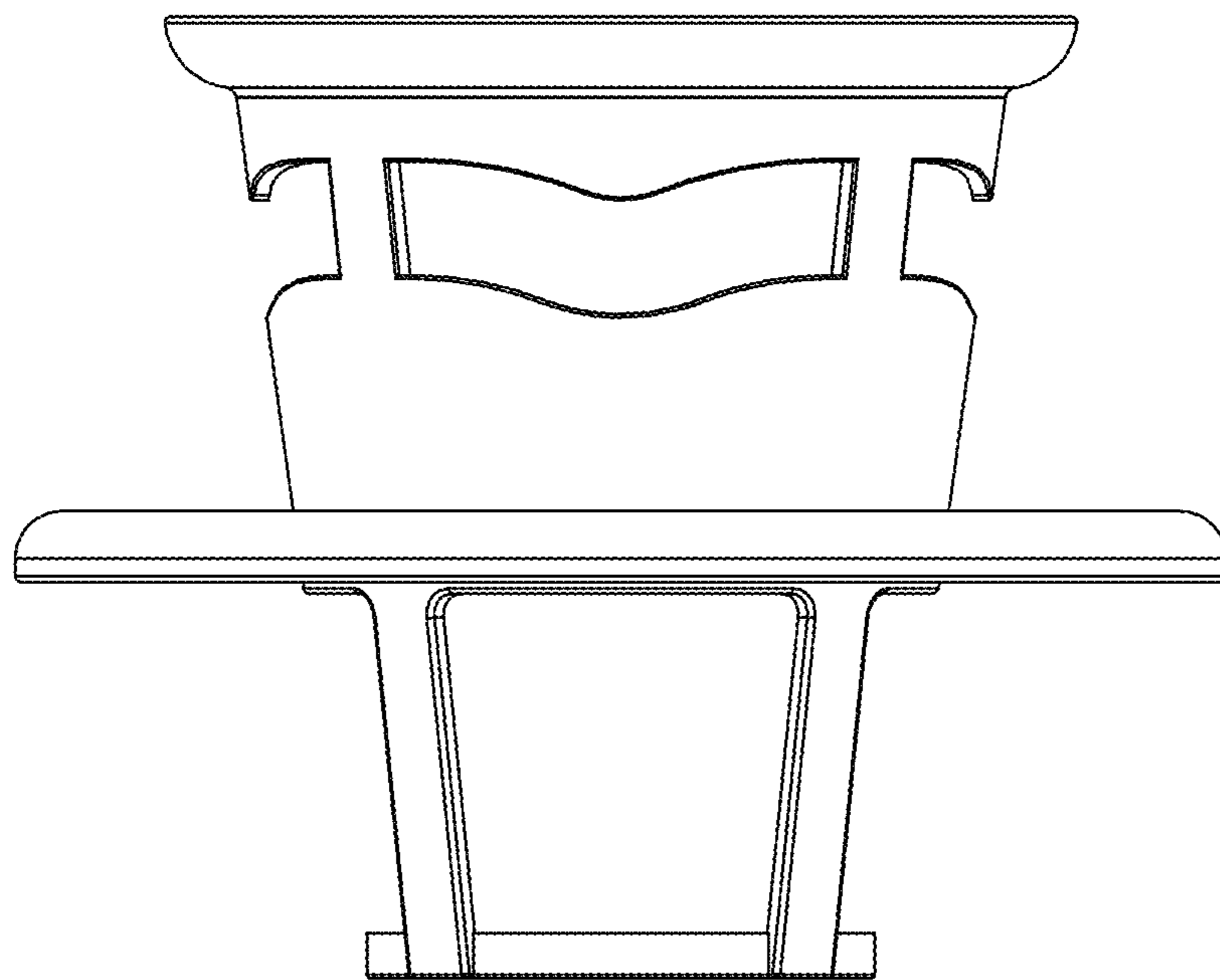


FIG. 2

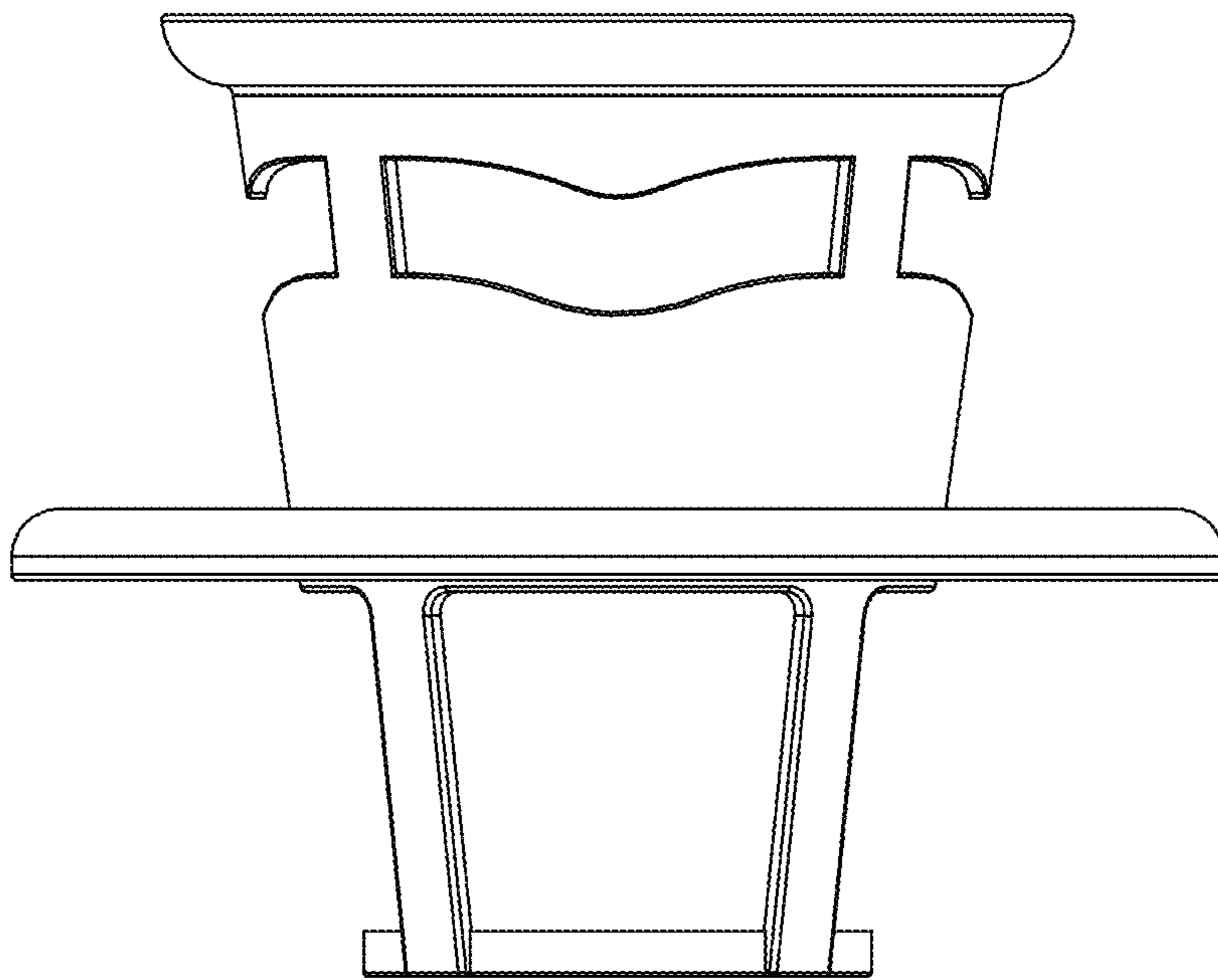


FIG. 3

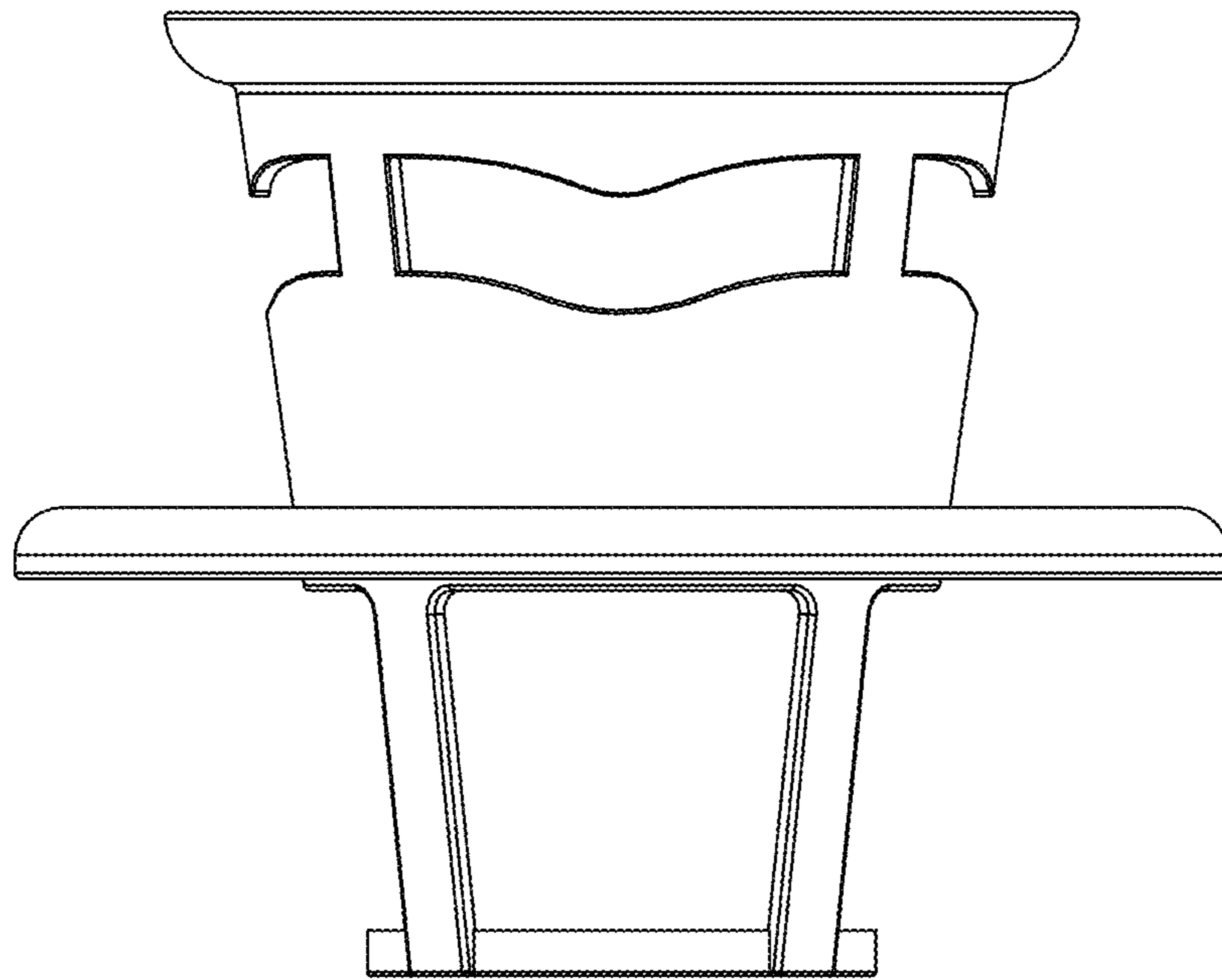


FIG. 4

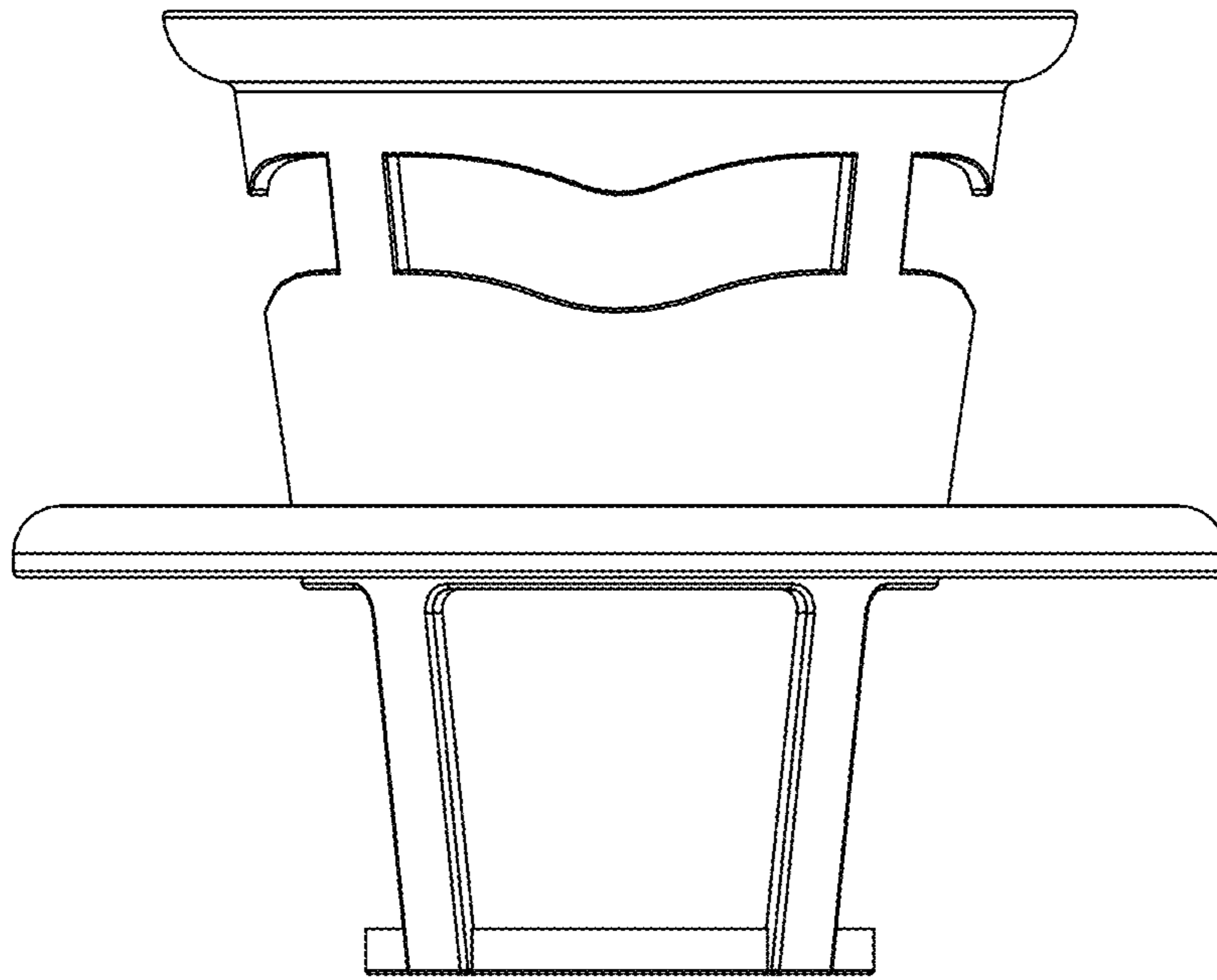


FIG. 5

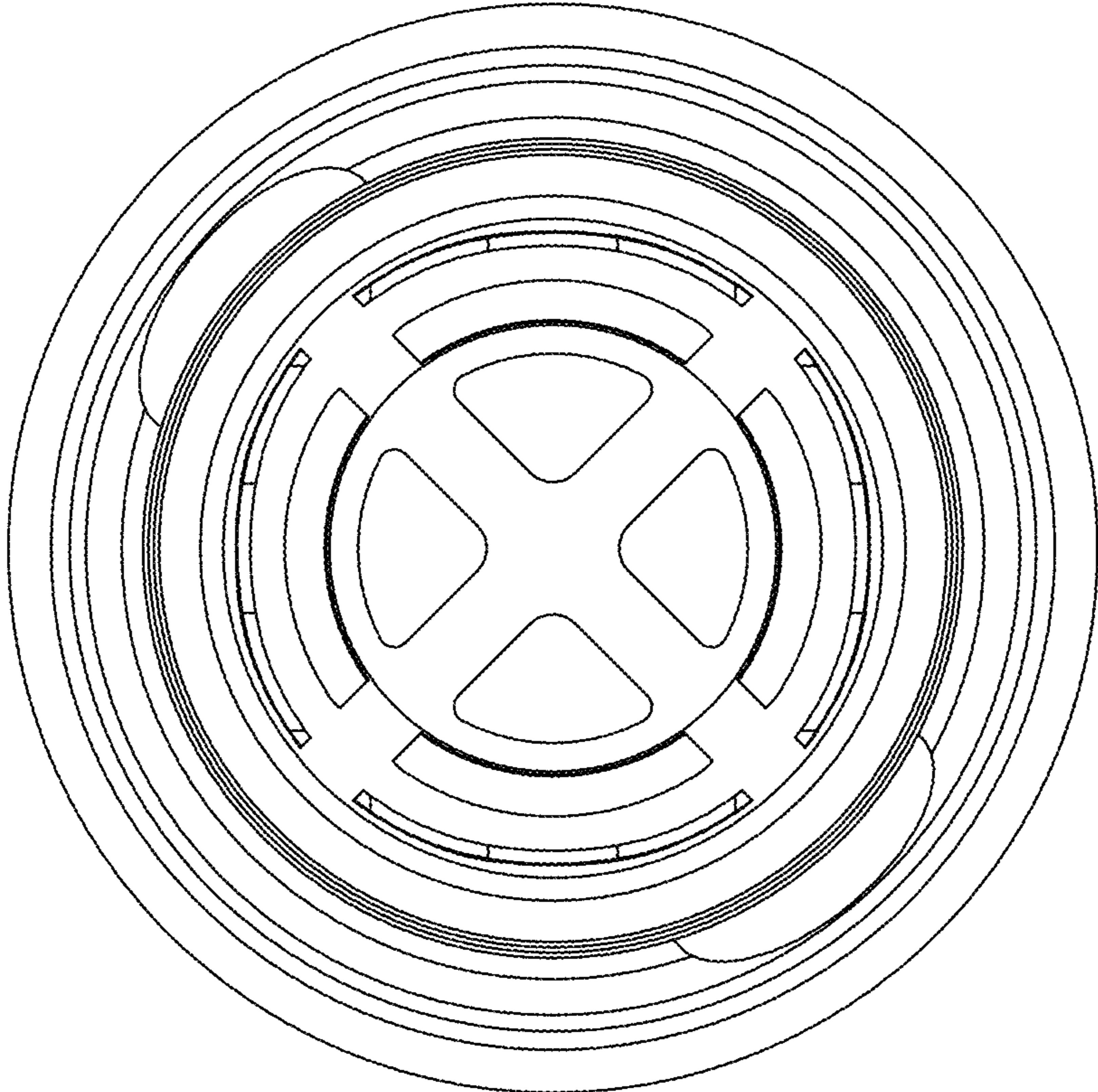


FIG. 6



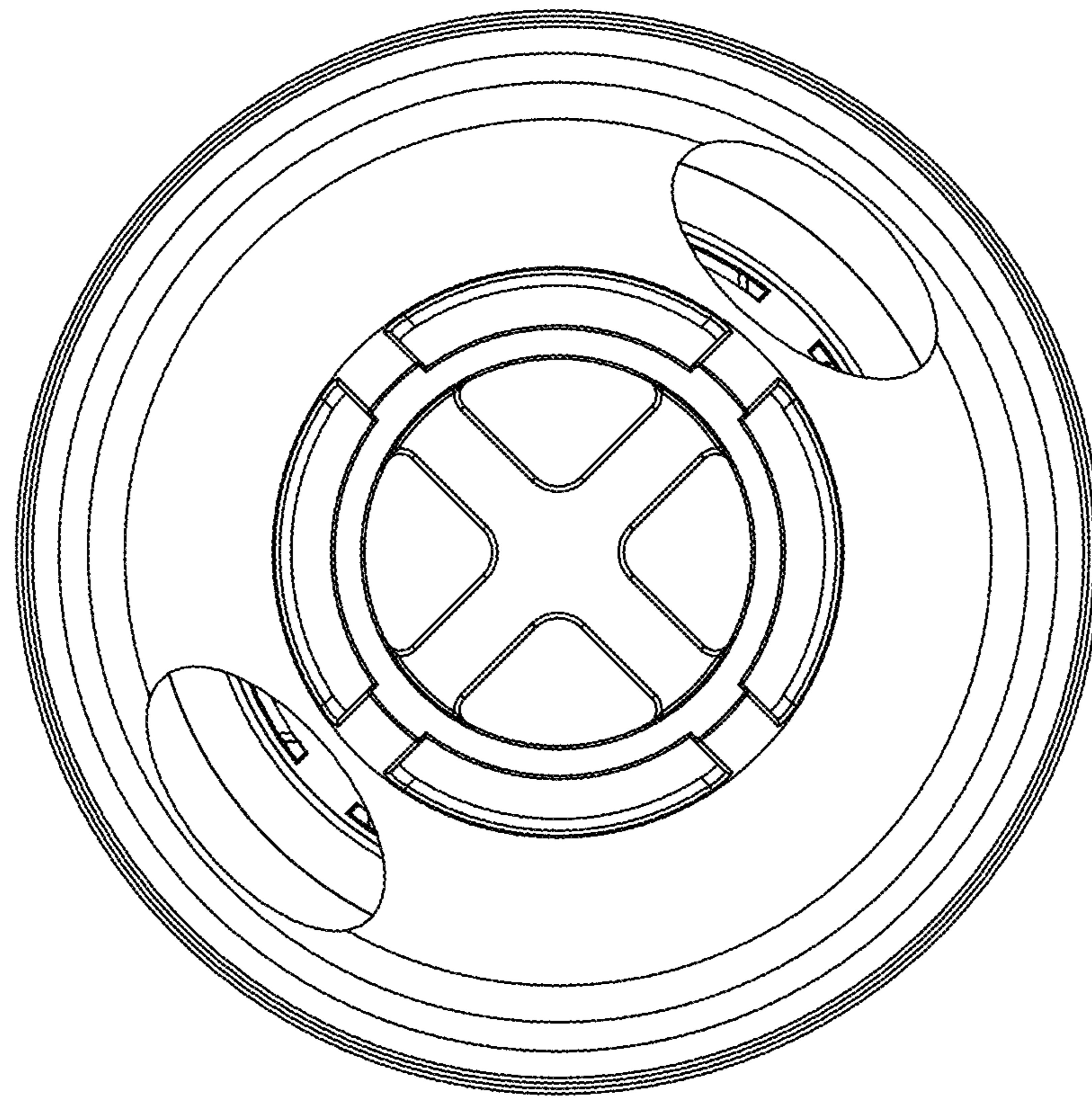


FIG. 7