



US00D764865S

(12) **United States Design Patent**
Hertaus

(10) **Patent No.:** **US D764,865 S**

(45) **Date of Patent:** **** Aug. 30, 2016**

(54) **POUR OVER FILTER**

(71) Applicant: **Jacob Hertaus**, Minneapolis, MN (US)

(72) Inventor: **Jacob Hertaus**, Minneapolis, MN (US)

(73) Assignee: **Vision Home Products, Inc.**, Le Sueur, MN (US)

(**) Term: **14 Years**

(21) Appl. No.: **29/517,380**

(22) Filed: **Feb. 12, 2015**

(51) **LOC (10) Cl.** **07-99**

(52) **U.S. Cl.**
USPC **D7/400; D7/667**

(58) **Field of Classification Search**
USPC D7/400, 398, 399, 667; D11/154, 152;
D3/304, 306; D23/209, 261; 99/279,
99/316, 303, 290, 323, 300, 295, 306;
210/455, 474; 426/435
CPC A47J 31/00; A47J 31/44; A47J 31/057;
A47J 47/00; A47J 47/16; A47J 31/446;
A47J 31/0631; A47J 31/02; B01D 35/28;
A47G 19/00; A47G 19/14
See application file for complete search history.

(56) **References Cited**

U.S. PATENT DOCUMENTS

- | | | | | | |
|-----------|-----|---------|-------------------|-------|-------------------------|
| 2,257,944 | A * | 10/1941 | Fischbein | | A47J 31/06
210/497.3 |
| D226,531 | S * | 3/1973 | Beckman | | 210/470 |
| 5,125,327 | A * | 6/1992 | Winnington-Ingram | | A47G 19/14 |
| | | | | | 99/306 |
| D349,211 | S * | 8/1994 | Cerato | | D7/400 |
| D386,043 | S * | 11/1997 | Chiag | | D7/400 |
| D396,603 | S * | 8/1998 | Gasser | | D7/400 |
| D447,911 | S * | 9/2001 | Jørgensen | | D7/400 |
| D514,398 | S * | 2/2006 | Feil | | D7/400 |
| D521,329 | S * | 5/2006 | Bodum | | D7/400 |
| D524,599 | S * | 7/2006 | Bodum | | D7/400 |

- | | | | | | |
|-----------|------|---------|----------|-------|-----------------------|
| D563,161 | S * | 3/2008 | Bodum | | D7/399 |
| D565,350 | S * | 4/2008 | Gauger | | D7/399 |
| D642,433 | S * | 8/2011 | Tuan | | D7/400 |
| 8,221,813 | B2 * | 7/2012 | Boul | | A47J 31/08
210/455 |
| D694,579 | S * | 12/2013 | Khubani | | D7/400 |
| D717,110 | S * | 11/2014 | De Leo | | D7/399 |
| D717,594 | S * | 11/2014 | Taketani | | D7/399 |
| D729,005 | S * | 5/2015 | Lee | | D7/399 |

FOREIGN PATENT DOCUMENTS

GB 2351012 A 12/2000

OTHER PUBLICATIONS

Merlo, "Hario V60 Drip Filter 1 cup Merlo Coffee", <https://www.merlo.com.au/store/Product/1004240/hario-v60-drip-filter-1-cup>, last accessed Dec. 26, 2014.

(Continued)

Primary Examiner — Marianne Pandozzi

(74) Attorney, Agent, or Firm — Haugen Law Firm PLLP

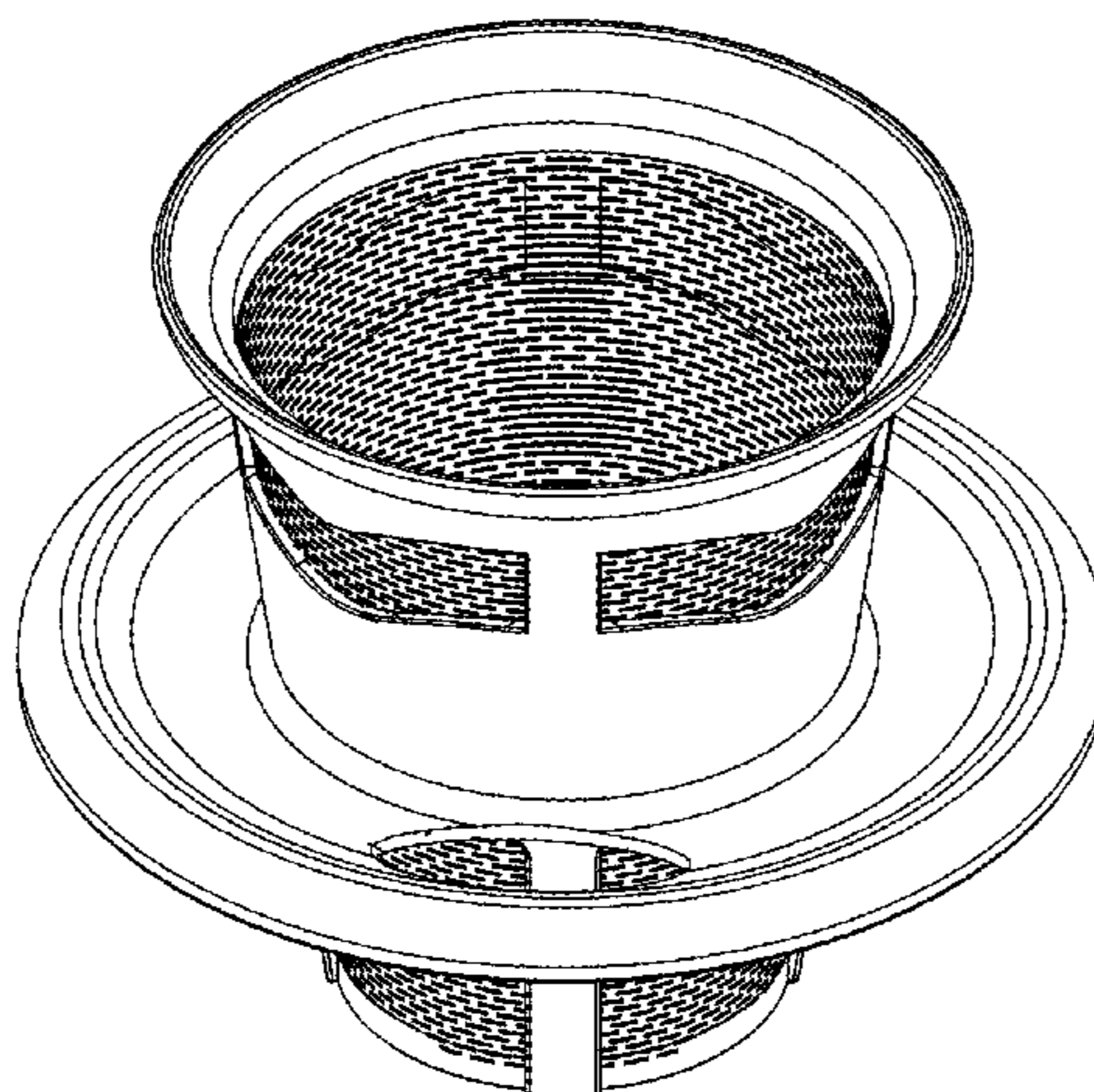
(57) **CLAIM**

The ornamental design for a pour over filter, as shown and described.

DESCRIPTION

FIG. 1 is a perspective view of the pour over filter of the present invention;
FIG. 2 is a left side view of the pour over filter shown in FIG. 1;
FIG. 3 is a right side view of the pour over filter shown in FIG. 1;
FIG. 4 is a front view of the pour over filter shown in FIG. 1;
FIG. 5 is a back view of the pour over filter shown in FIG. 1;
FIG. 6 is a top plan view of the pour over filter shown in FIG. 1; and,
FIG. 7 is a bottom plan view of the pour over filter shown in FIG. 1.

1 Claim, 7 Drawing Sheets



(56)

References Cited

OTHER PUBLICATIONS

Jeroen, Robert, "The Chaicoffski filter", <http://caffezine.com/the-chaicoffski-filter/2012/>, Apr. 21, 2012.

Sigg Aluminum, "GSI Outdoors H2JO Wide Mouth Thread Water Bottle/Coffee Maker", <http://www.sigg-aluminium.co.uk/other-brands/gsi-outdoors/gsi-outdoor...>, last accessed Dec. 26, 2014.

GSI Outdoors, "Collapsible Java Drip", http://gsioutdoors.com/products/pdp/collapsible_java_drip/coffee, last accessed Dec. 26, 2014.

Teavana, Cool Touch Tea Strainer, <http://www.teavana.com/tea-products/tea-makers-infusers/p/cool-touch-t...>, last accessed Dec. 26, 2014.

* cited by examiner

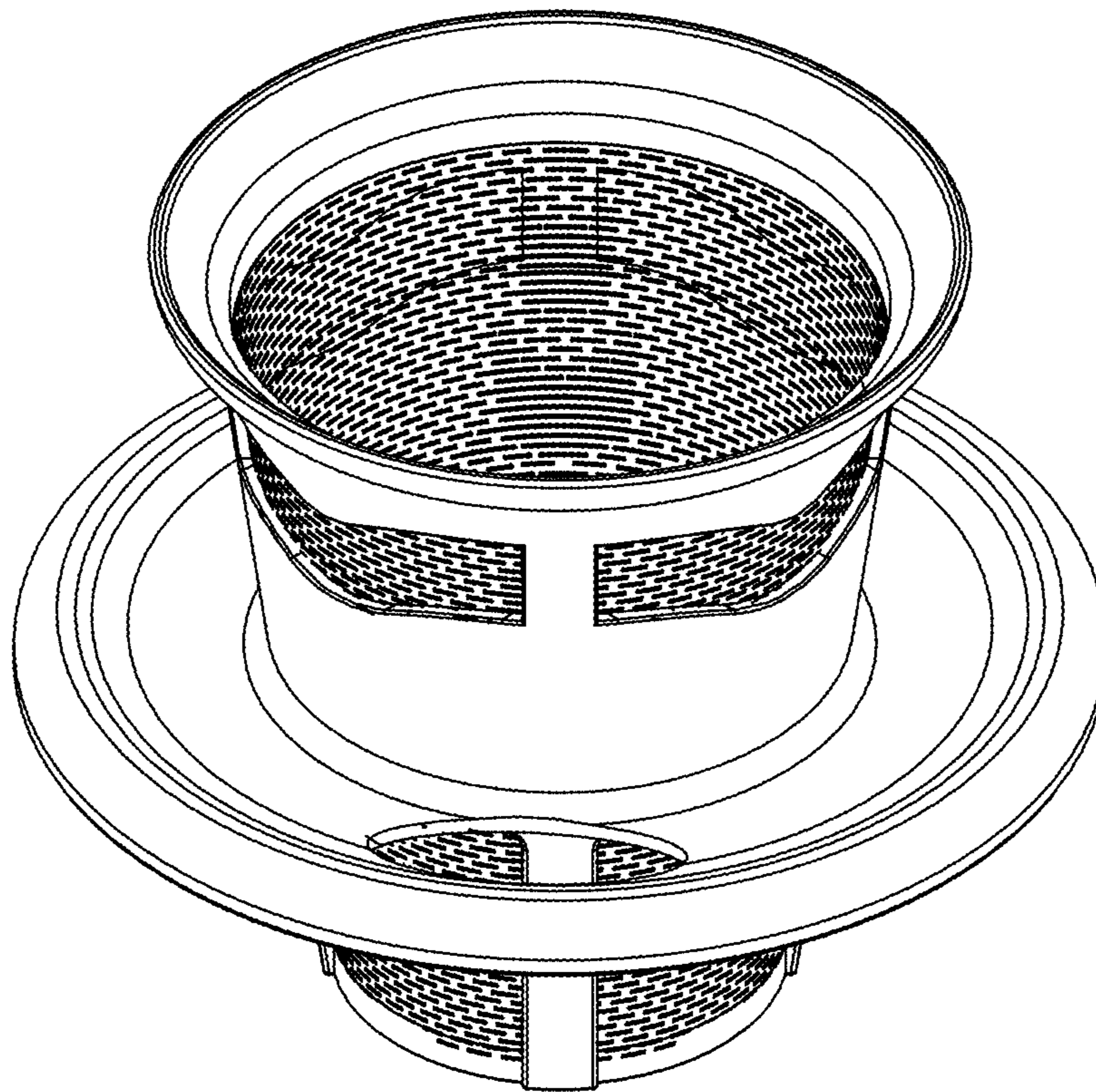


FIG. 1

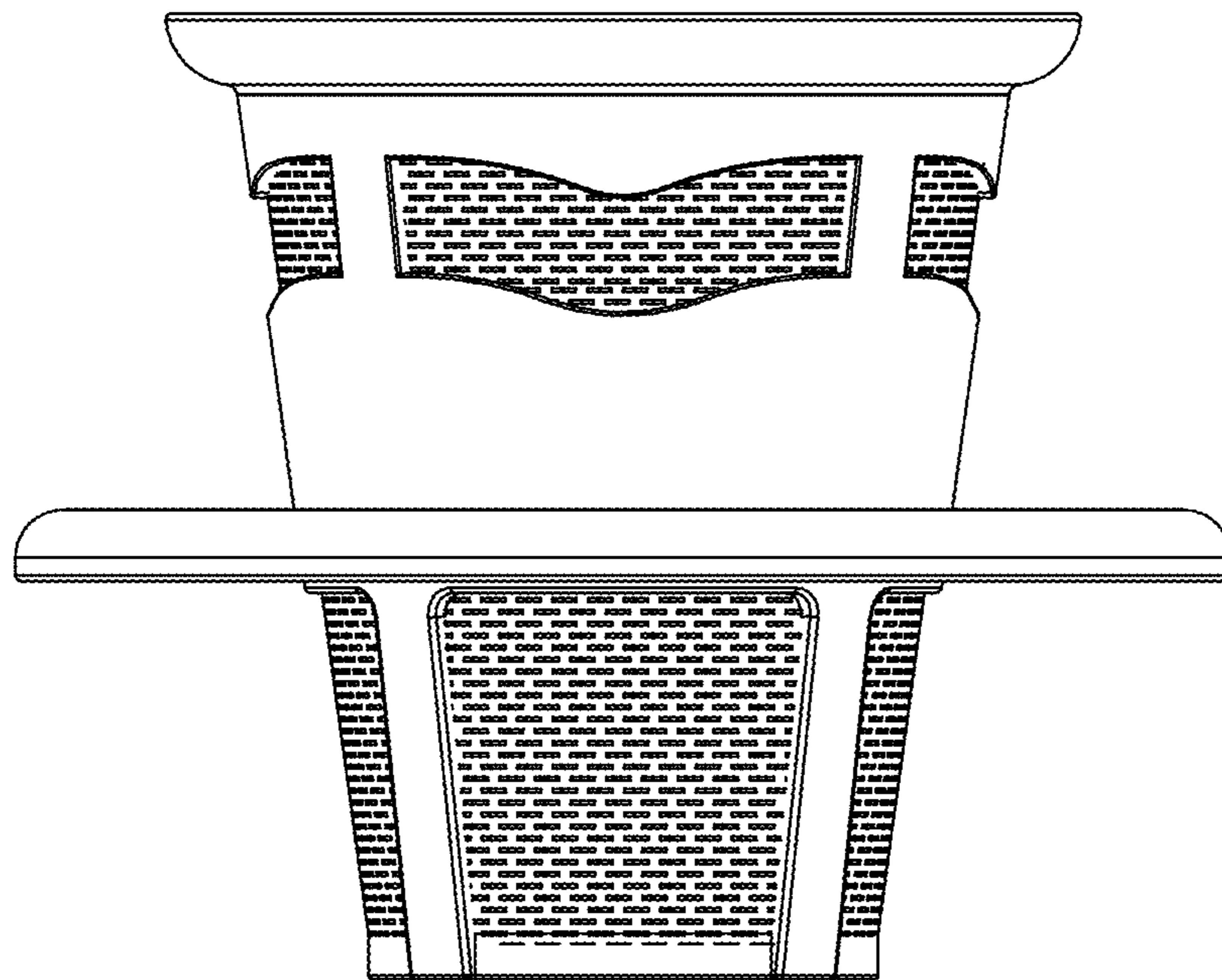


FIG. 2

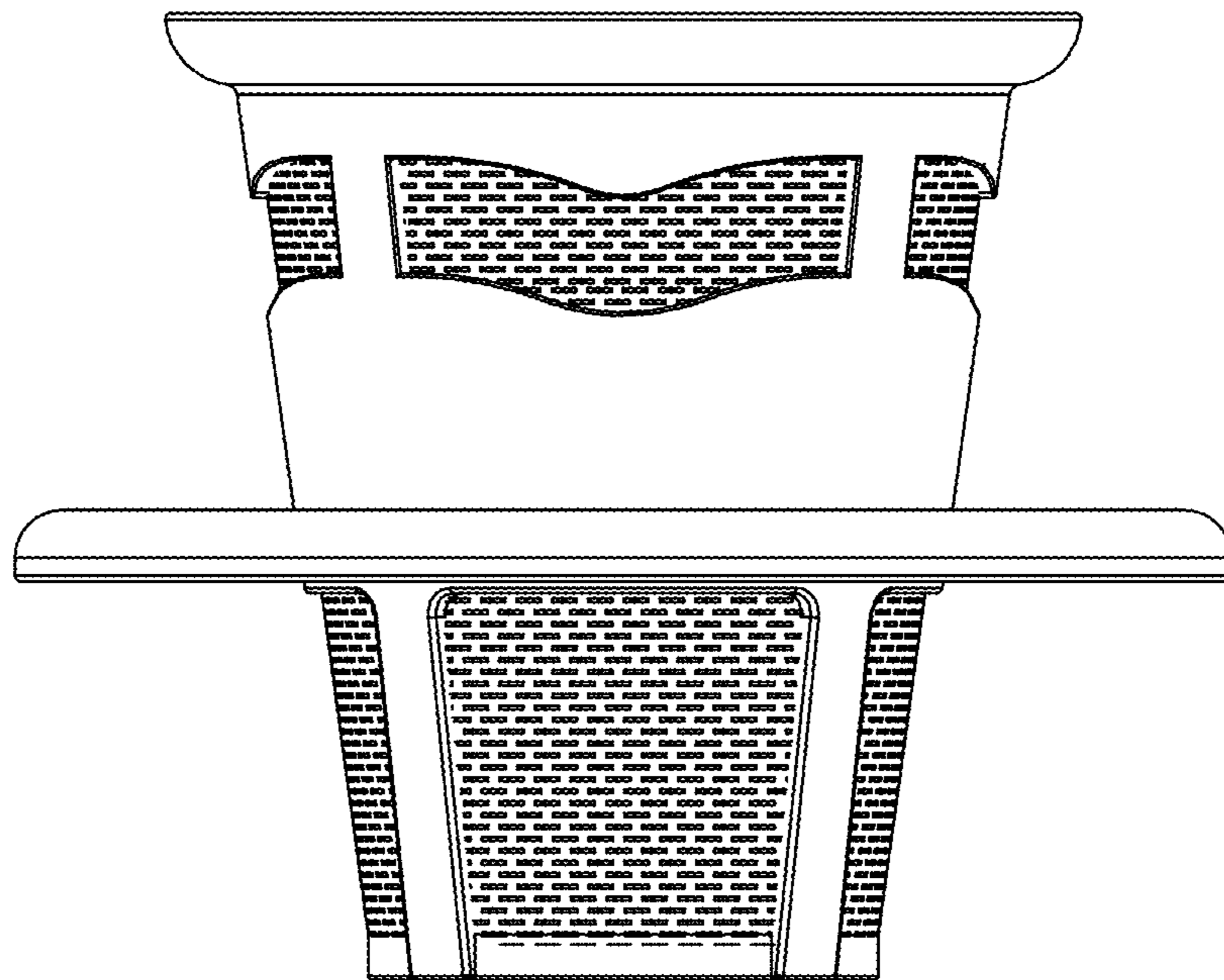


FIG. 3

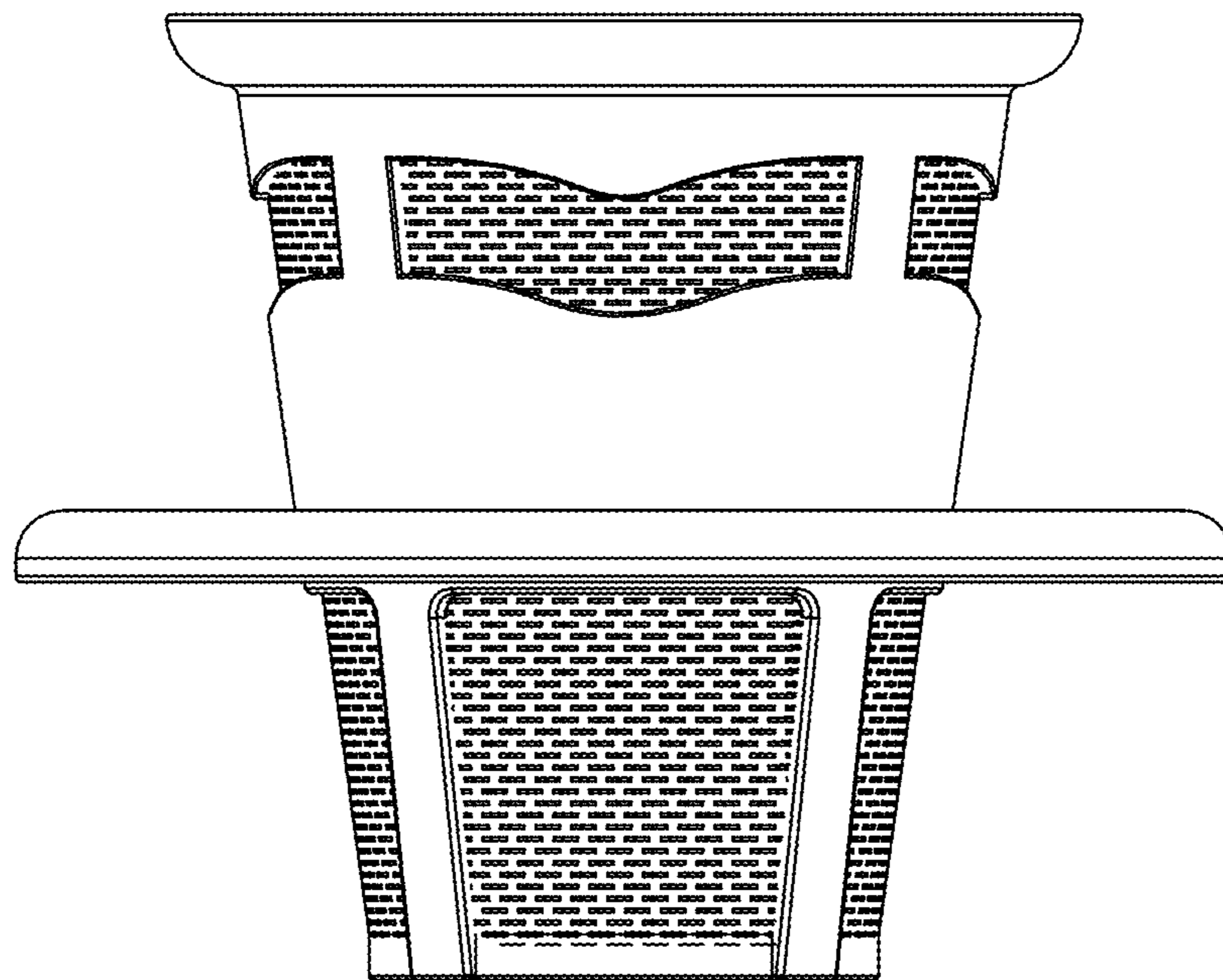


FIG. 4

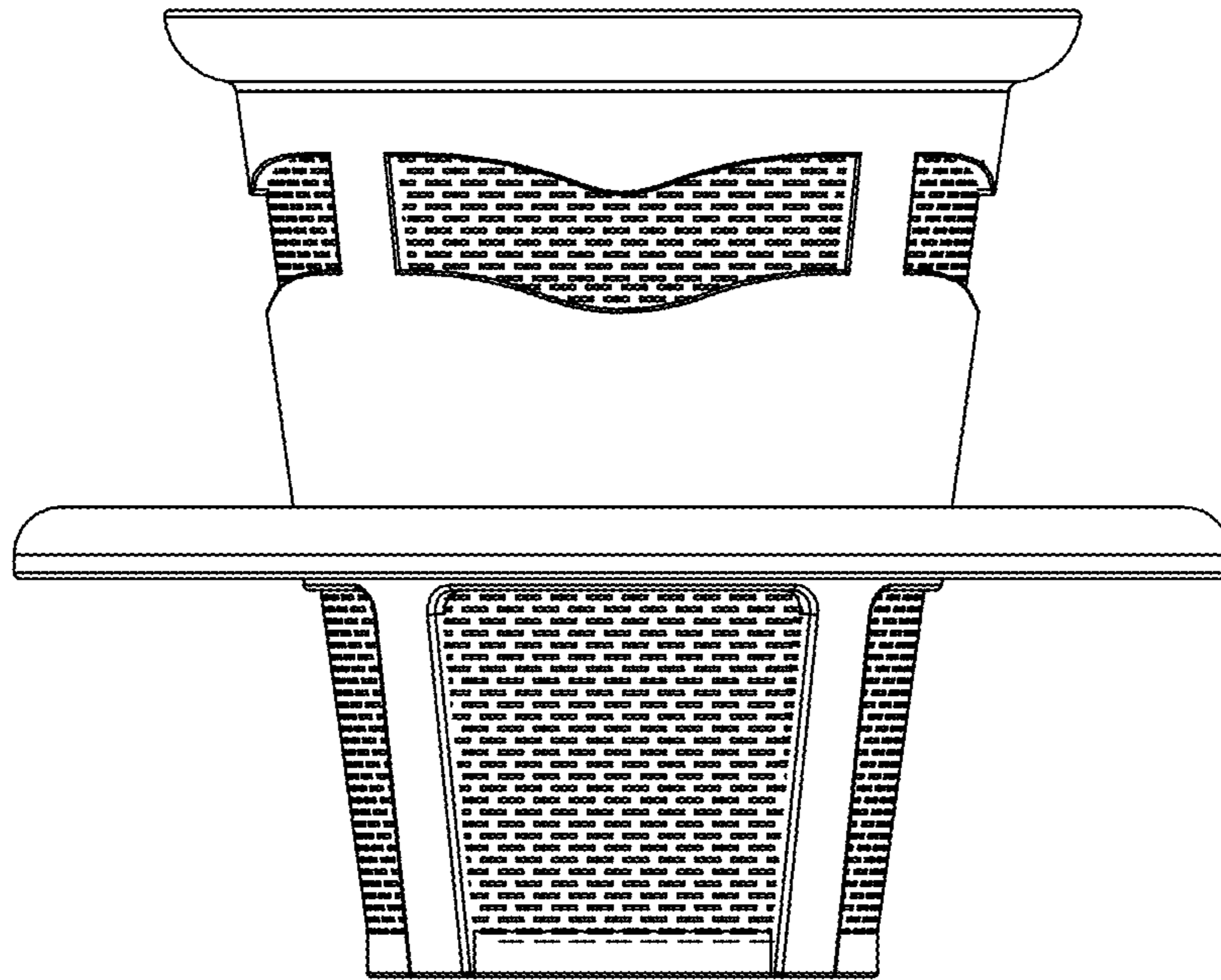


FIG. 5

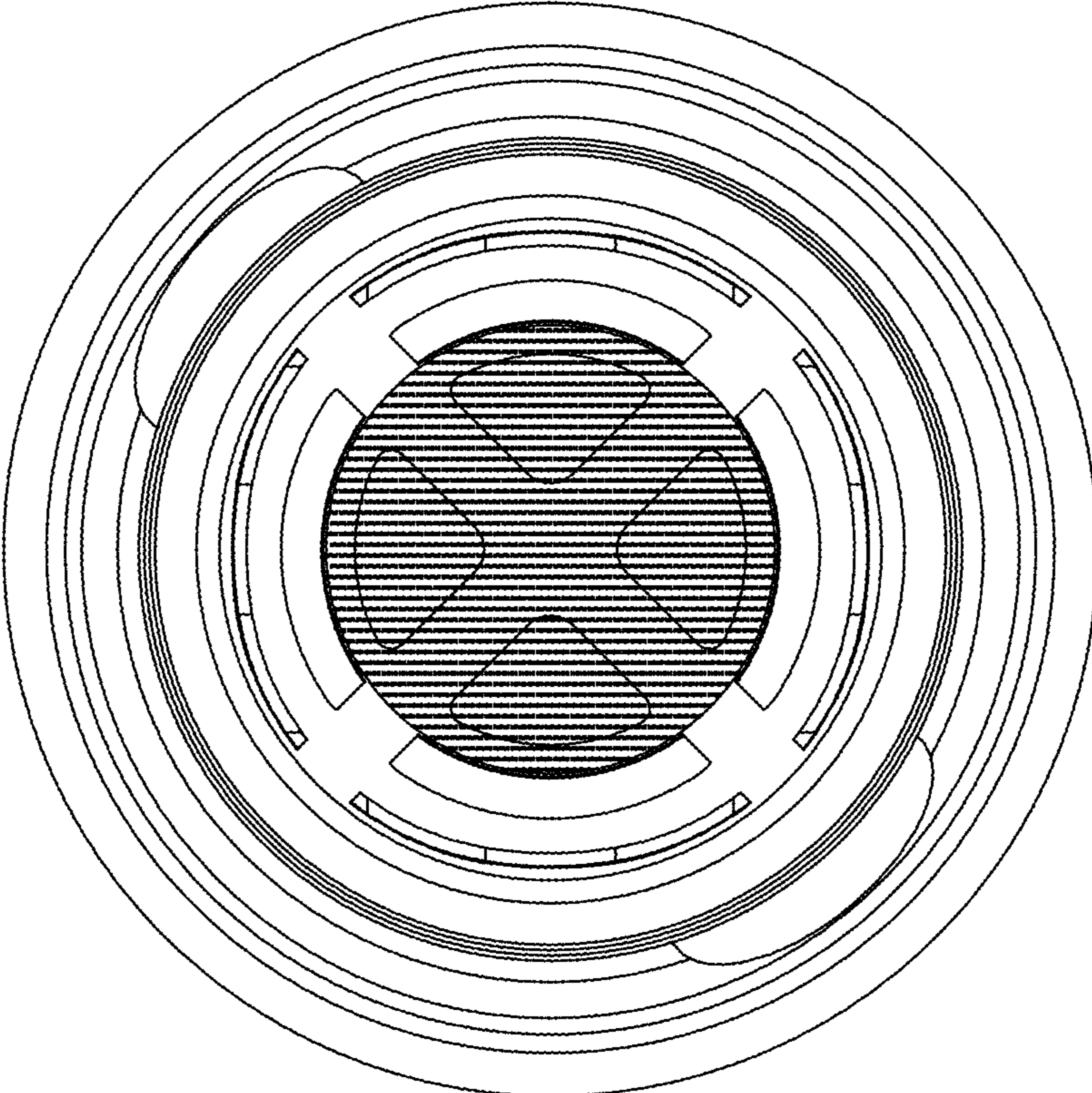


FIG. 6

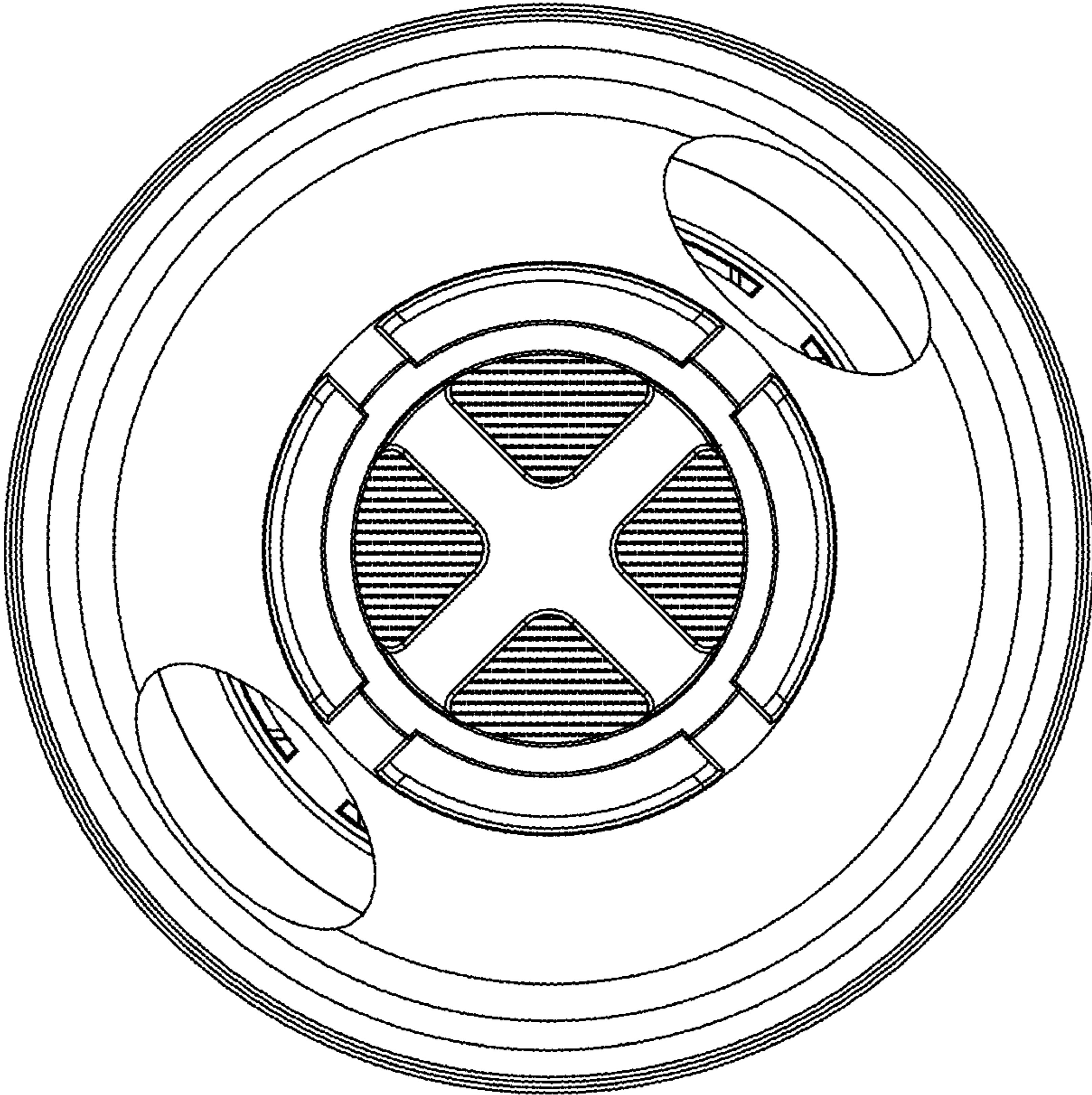


FIG. 7